



US00D554943S

(12) **United States Design Patent**
Stewart

(10) **Patent No.:** **US D554,943 S**

(45) **Date of Patent:** **** Nov. 13, 2007**

(54) **SCOOP WITH LID**

6,974,056 B2 * 12/2005 Rea 30/326

(75) Inventor: **Joshua R. Stewart**, Seattle, WA (US)

* cited by examiner

(73) Assignee: **Chef'n Corporation**, Seattle, WA (US)

Primary Examiner—Terry A. Wallace

(74) *Attorney, Agent, or Firm*—Seed IP Law Group PLLC

(**) Term: **14 Years**

(21) Appl. No.: **29/249,320**

(22) Filed: **Sep. 29, 2006**

(51) **LOC (8) Cl.** **07-06**

(52) **U.S. Cl.** **D7/401.2; D7/687; D7/691**

(58) **Field of Classification Search** D7/683,
D7/686, 687, 691, 401.2; 30/324–328; 294/1.1,
294/55, 118, 119

See application file for complete search history.

(56) **References Cited**

U.S. PATENT DOCUMENTS

2,561,374	A *	7/1951	Igoe	30/324
D178,858	S *	10/1956	Babock	D7/686
3,352,132	A *	11/1967	Jones et al.	294/118
D260,655	S *	9/1981	Guay	D7/686
5,893,596	A *	4/1999	Martin et al.	294/118
D419,037	S *	1/2000	Gardner	D7/687

(57) **CLAIM**

The ornamental design for a scoop with lid, as shown and described.

DESCRIPTION

FIG. 1 is an isometric view of a scoop with lid in an open configuration, showing my new design

FIG. 2 is another view thereof in a closed configuration.

FIG. 3 is a top plan view thereof in an open configuration.

FIG. 4 is a bottom plan view thereof in a closed configuration.

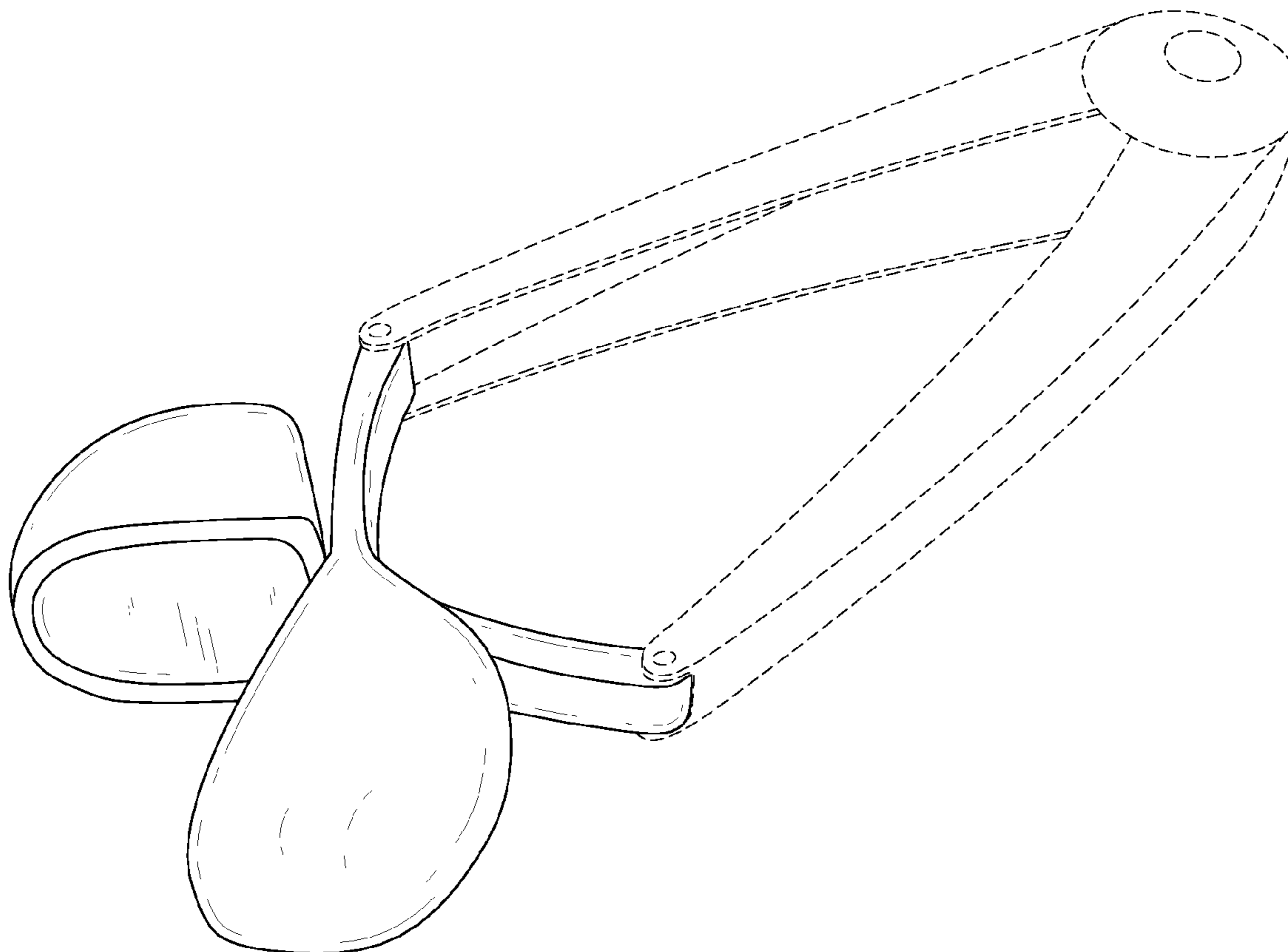
FIG. 5 is a front elevation view, the rear elevation view being a mirror image thereof.

FIG. 6 is a left side elevation view thereof; and,

FIG. 7 is a right side elevation view thereof.

The broken lines in the figures are for illustrative purposes only and form no part of the claimed design.

1 Claim, 4 Drawing Sheets



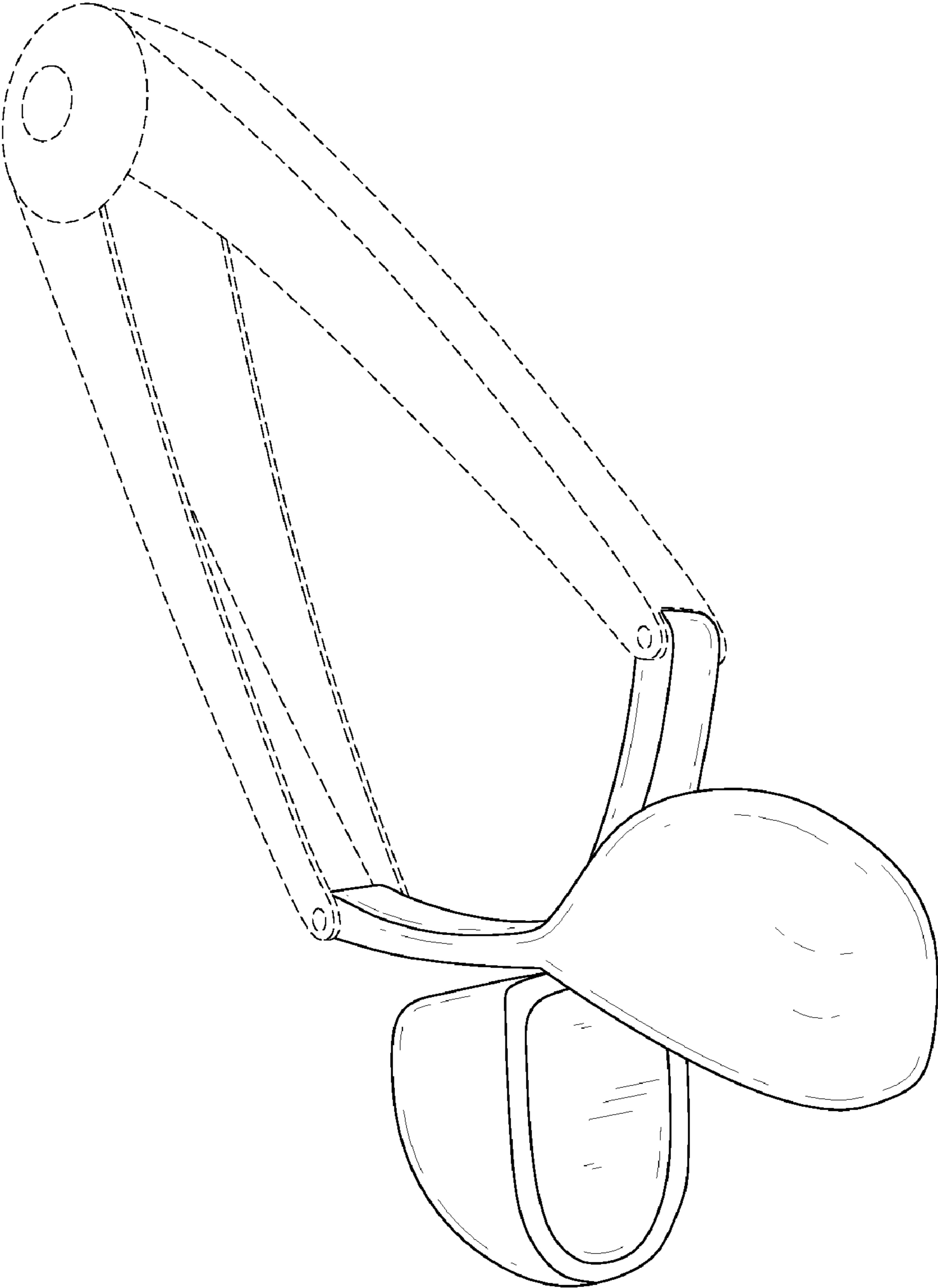


FIG. 1

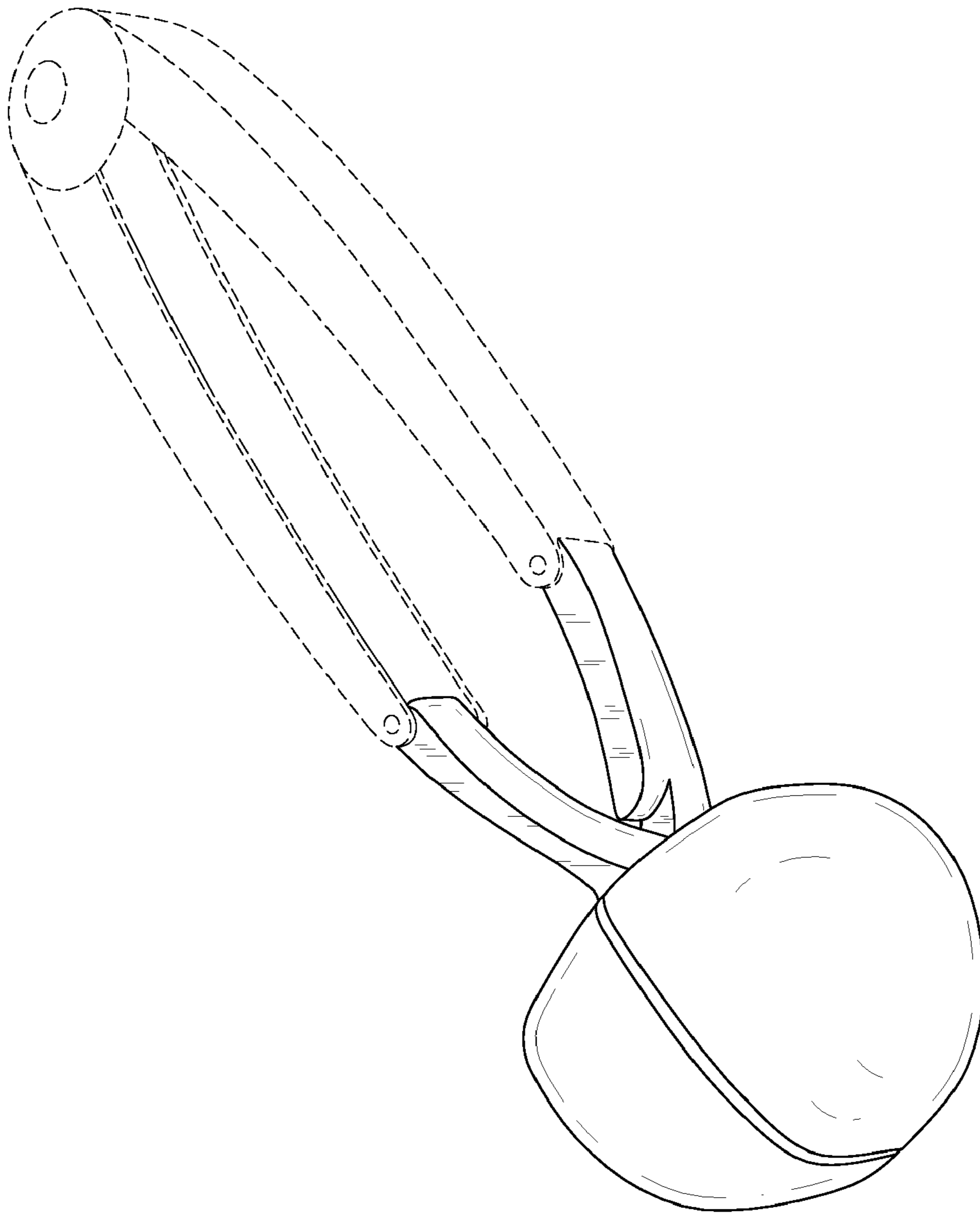


FIG. 2

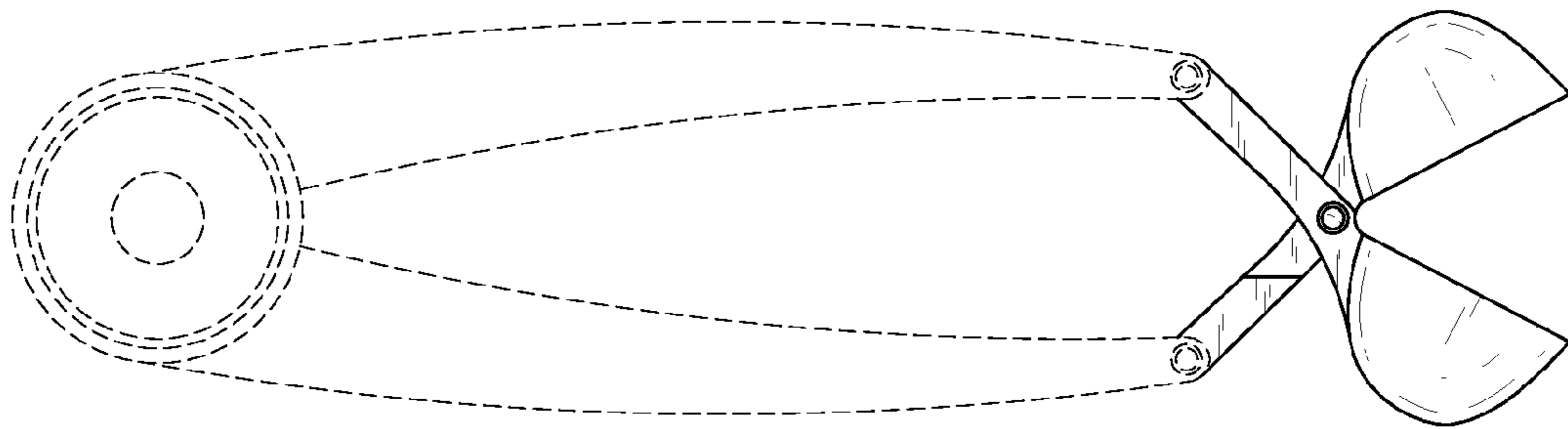


FIG. 3

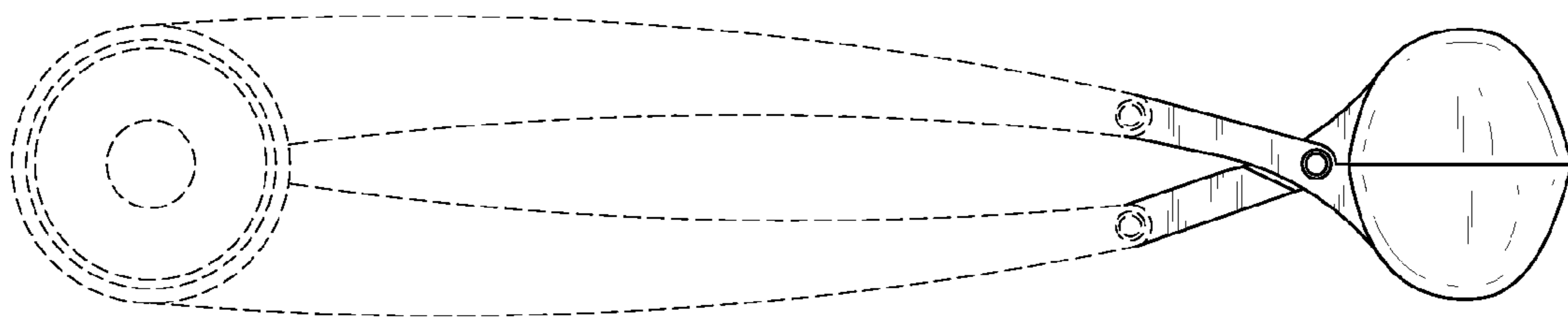


FIG. 4

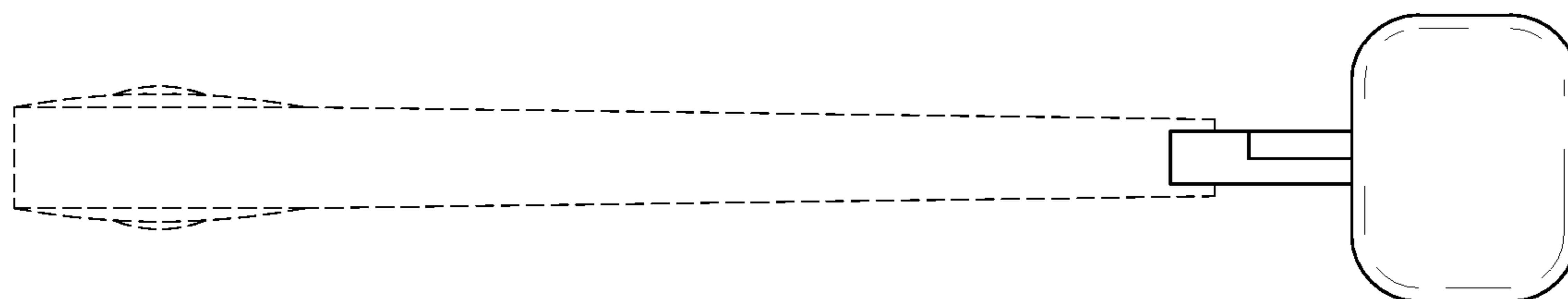


FIG. 5

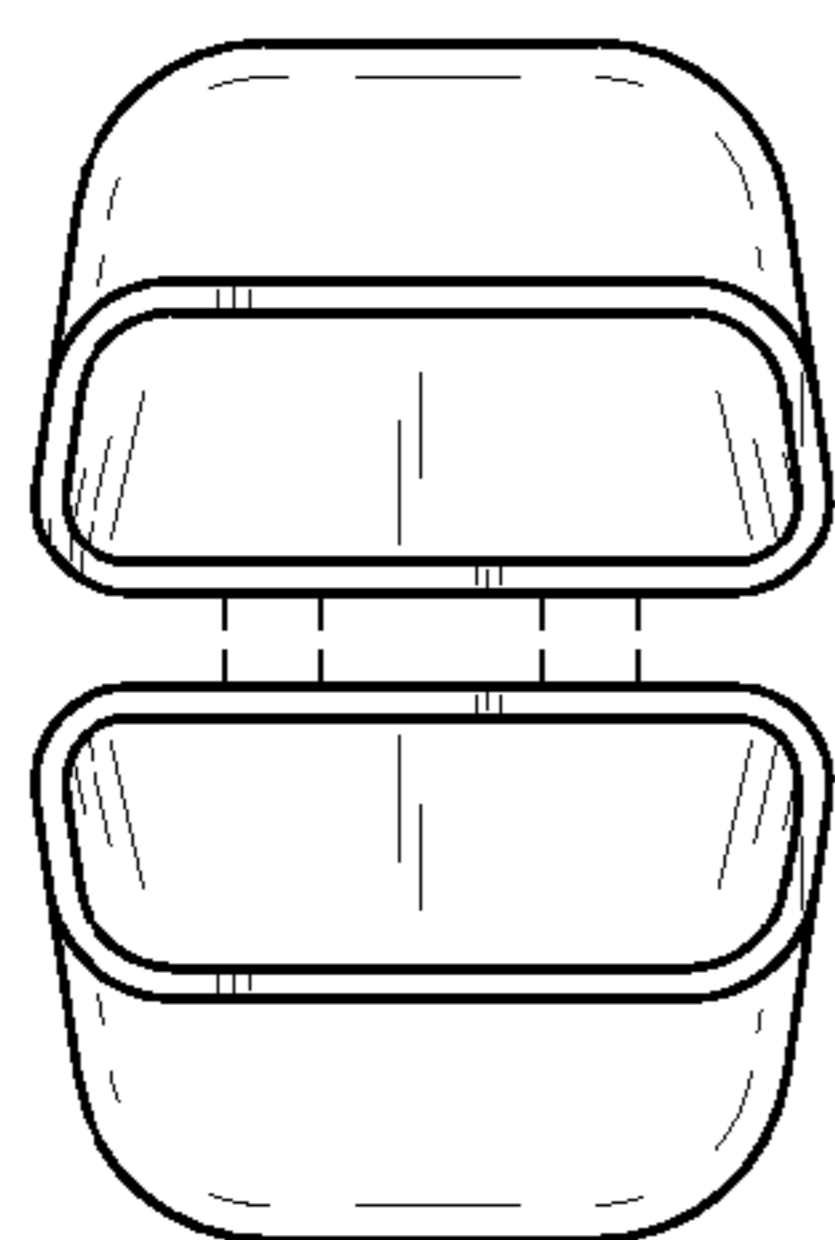


FIG. 6

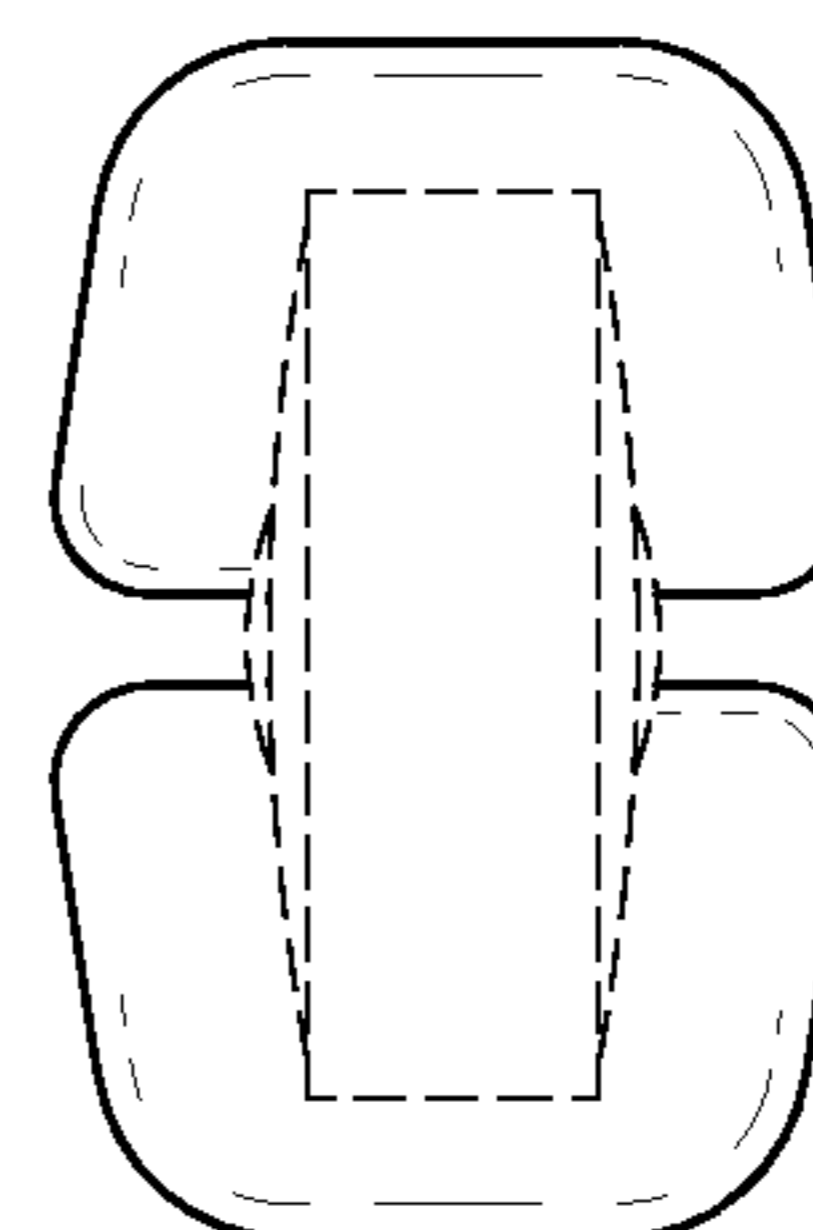


FIG. 7