



US00D554941S

(12) **United States Design Patent**
Mansfield

(10) **Patent No.:** **US D554,941 S**

(45) **Date of Patent:** **** Nov. 13, 2007**

(54) **SHOT GLASS**

(76) **Inventor:** **Bryan D. Mansfield**, c/o Hurricane Shooters, LLC, 2306 60th Dr. East, Bradenton, FL (US) 34203

(**) **Term:** **14 Years**

(21) **Appl. No.:** **29/241,047**

(22) **Filed:** **Oct. 21, 2005**

(51) **LOC (8) Cl.** **07-01**

(52) **U.S. Cl.** **D7/396.2; D7/396.4; D7/532**

(58) **Field of Classification Search** D7/507, D7/509, 503, 523, 513, 555, 557, 532, 396.1, D7/396.2, 396.4; D11/144; 215/12.1, 379; 220/575, 573.2, 573.1, 662, 676, DIG. 13, 220/506, 231, 719, 675, 707, 705, 737, 703, 220/704, 592.17; 206/118, 103, 519, 520, 206/217; 229/409, 400, 103.1; 249/66.1, 249/11.5

See application file for complete search history.

(56) **References Cited**

U.S. PATENT DOCUMENTS

962,641 A	6/1910	Kaufman	
1,168,027 A	1/1916	Nirdlinger	
1,476,910 A *	12/1923	Naugle	249/122
1,832,585 A *	11/1931	Sample	206/103
1,968,263 A *	7/1934	Reuther	215/12.1
D101,721 S	4/1936	Spinelli	
D99,531 S *	5/1936	Sterling	D7/513
2,263,947 A	11/1941	Gottfried	220/710
2,288,044 A	6/1942	Stemme	
2,493,633 A	1/1950	Mart	
D167,667 S	9/1952	Babany	
3,269,144 A	8/1966	Poris	62/457.3
3,279,638 A	10/1966	Merry	215/395
3,379,338 A	4/1968	Marks	
3,603,485 A	9/1971	Vivier	

D222,375 S	10/1971	Bencik	
3,674,512 A	7/1972	Andros	
3,784,052 A	1/1974	Edwards	
3,804,281 A	4/1974	Eckdahl	
3,971,471 A	7/1976	Ludder	
4,044,889 A	8/1977	Orentreich	
4,395,015 A *	7/1983	Reardon	249/115
4,410,085 A	10/1983	Beneziat	

(Continued)

OTHER PUBLICATIONS

Hurricane Shooters, LLC, Nightclub & Bar Magazine, Mar. 2005, p. 84, Available to the public about Feb. 10, 2005. Exhibited at show Mar. 1, 2005.

(Continued)

Primary Examiner—M. N. Pandozzi
(74) *Attorney, Agent, or Firm*—Mark Douma

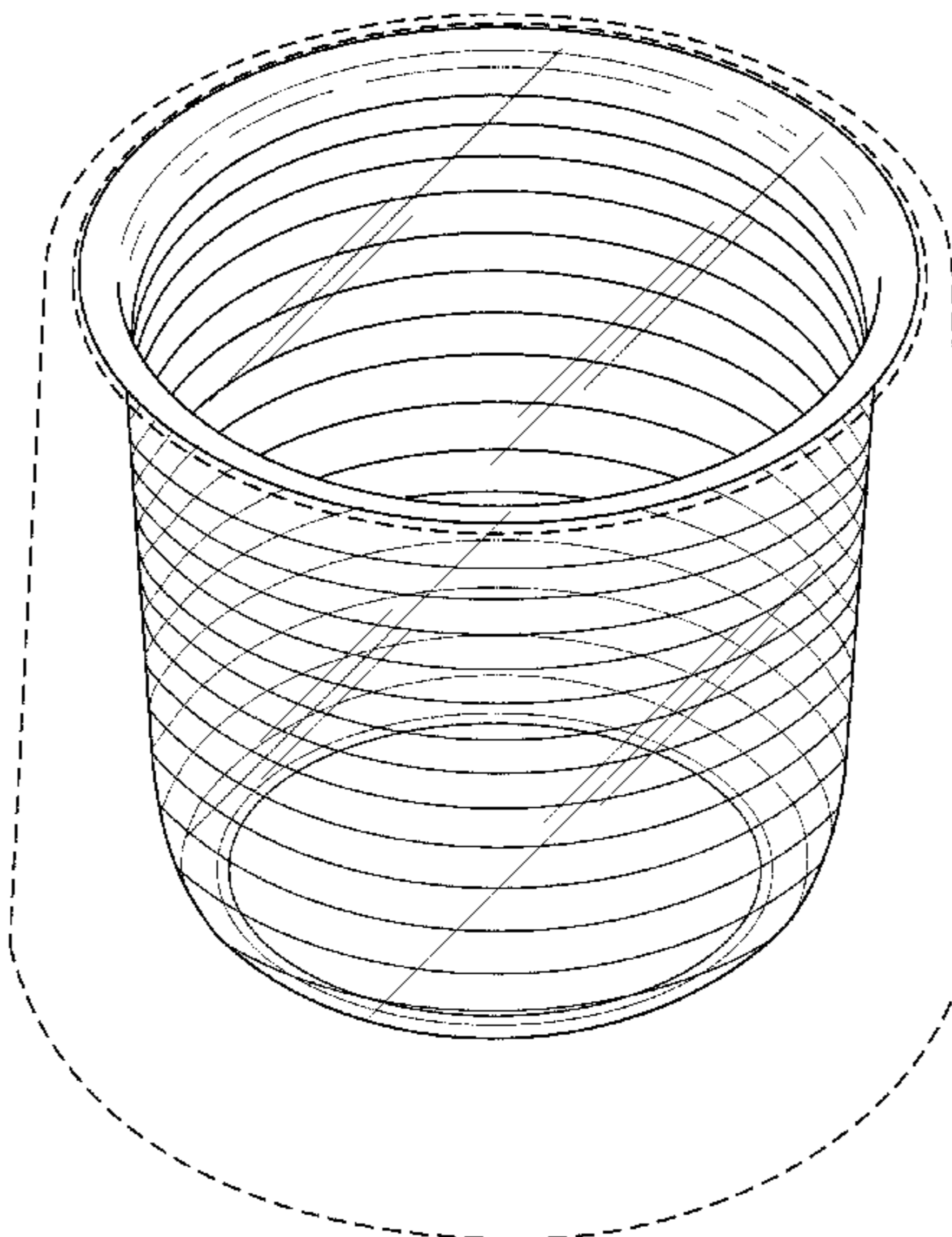
(57) **CLAIM**

I claim the ornamental design for the interior of a shot glass, as shown and described.

DESCRIPTION

FIG. 1 is a perspective view of the interior of a shot glass showing my new design;
FIG. 2 is a side elevation view thereof wherein the claimed elements appear the same from all sides;
FIG. 3 is a top plan view thereof; and,
FIG. 4 is a bottom plan view thereof.
The broken lines in the drawings are for illustrative purposes only and do not form part of my claim. The circular broken line with the shorter segments in FIGS. 1, 3, and 4 is a boundary between the claimed design inside it and environmental structure.

1 Claim, 4 Drawing Sheets



US D554,941 S

Page 2

U.S. PATENT DOCUMENTS

D287,885 S 1/1987 Bolduc
D289,484 S * 4/1987 Forquer et al. D7/532
D291,620 S 9/1987 Porchia
4,762,224 A 8/1988 Hall 206/221
D302,943 S 8/1989 Cuzenza D9/697
D304,514 S * 11/1989 Vezirian et al. D7/507
4,919,295 A 4/1990 Hitzler
D310,841 S 9/1990 Inoue D7/513
D310,941 S * 10/1990 Carty D28/44.1
5,215,214 A * 6/1993 Lev et al. 222/1
D343,990 S 2/1994 Maraan, II
D356,978 S 4/1995 Rahr
5,405,030 A 4/1995 Frazier
D363,854 S 11/1995 Katz
D369,518 S 5/1996 Wilson
D376,071 S 12/1996 Ballin
D384,246 S 9/1997 McKnight
D397,915 S 9/1998 McNaughton
D400,398 S 11/1998 McNaughton
D416,443 S 11/1999 Kilpatrick
D420,254 S 2/2000 Park D7/510
6,059,443 A 5/2000 Casey 366/130
D430,456 S 9/2000 Thuma D7/509
6,138,862 A 10/2000 Tai
D448,241 S 9/2001 Morris, Jr. D7/507
6,363,978 B2 4/2002 Castillo 141/100
6,366,401 B1 4/2002 Gonda
D459,946 S 7/2002 Willat
6,421,890 B1 * 7/2002 Biggar 27/1
6,502,712 B1 1/2003 Weber-Unger
6,571,977 B2 6/2003 Goncalez
6,584,800 B1 7/2003 Roth et al. 62/457.3
D480,601 S 10/2003 Pettaweebuncha
6,644,846 B2 11/2003 Willat
D484,361 S 12/2003 Jeung
6,814,990 B2 11/2004 Zeng
D505,297 S 5/2005 Poeting
D507,721 S 7/2005 Schuler et al. D7/509
D508,372 S 8/2005 Matinez-Lopez
6,932,231 B2 8/2005 Haynes et al. 220/212

D510,234 S 10/2005 Schuler
2002/0153344 A1 10/2002 Pola
2006/0021986 A1 2/2006 Mansfield

OTHER PUBLICATIONS

Bombshell Datasheet [online] Bombshell [retrieved on Nov. 16, 2005], Retrieved from the Internet: <URL: <http://bombshells.info/advantages.html>> 3 pages, Domain registered Feb. 25, 2005.
Shot Glass Double Barrel Datasheet [online] Lingo, Inc. [Retrieved on Nov. 16, 2005], Retrieved from the Internet: <URL www.tooters.net> 1 page, Domain registered May 13, 1998.
Disposabomb Datasheet [online] By George, LLC [retrieved on Nov. 16, 2005], Retrieved from the Internet: <URL <http://www.disposabomb.com/home.htm>> 1 page, Domain registered May 13, 2005.
Bomber Datasheet [online] Hurricane Shooters, LLC [Retrieved on Nov. 22, 2005], Retrieved from the Internet: <URL [www.hurricaneshooters.com/products.php](http://www.hurricanesshooters.com/products.php)> 1 page, Domain registered Nov. 24, 2004.
Mansfield, Shot Glass, U.S. Appl. No. 29/241,046, filed Oct. 21, 2005.
Mansfield, Shot Glass, U.S. Appl. No. 29/241,047, filed Oct. 21, 2005.
Mansfield et al., Drinking Cup, U.S. Appl. No. 11/294,630, filed Dec. 5, 2005.
Mansfield et al., Plural Chamber Drinking Cup, U.S. Appl. No. 11/294,640, filed Dec. 5, 2005.
Mansfield, Drinking Cup, U.S. Appl. No. 29/244,074, filed Dec. 5, 2005.
Mansfield, Drinking Cup, U.S. Appl. No. 29/244,075, filed Dec. 5, 2005.
Mansfield, Drinking Cup, U.S. Appl. No. 29/244,076, filed Dec. 5, 2005.
Mansfield et al., Drinking Cup, U.S. Appl. No. 29/244,077, filed Dec. 5, 2005.
Mansfield, Drinking Cup, U.S. Appl. No. 29/246,552, filed Apr. 21, 2006.
Mansfield et al., Bottle Cover, U.S. Appl. No. 29/246,553, filed Apr. 21, 2006.

* cited by examiner

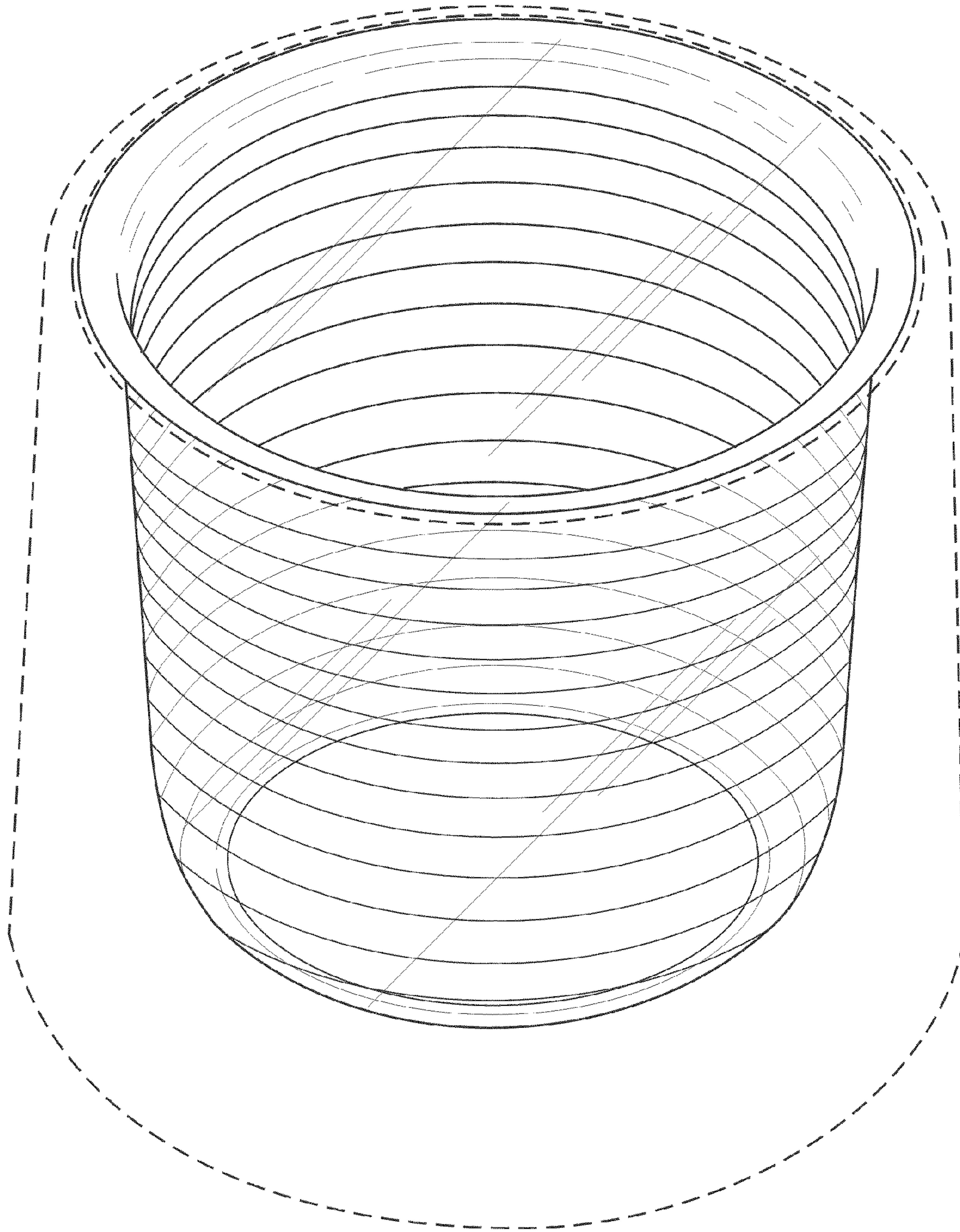


FIG. 1

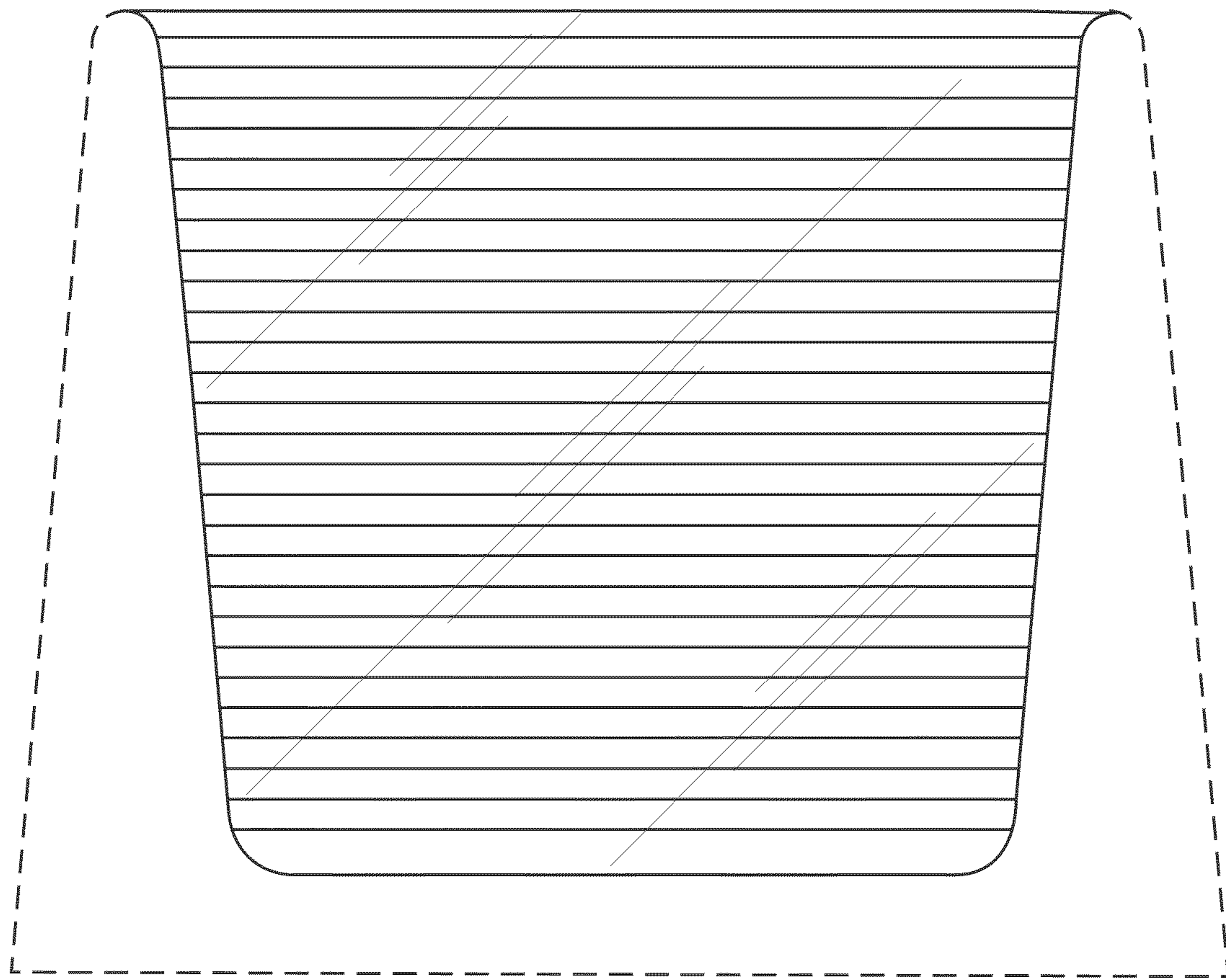


FIG. 2

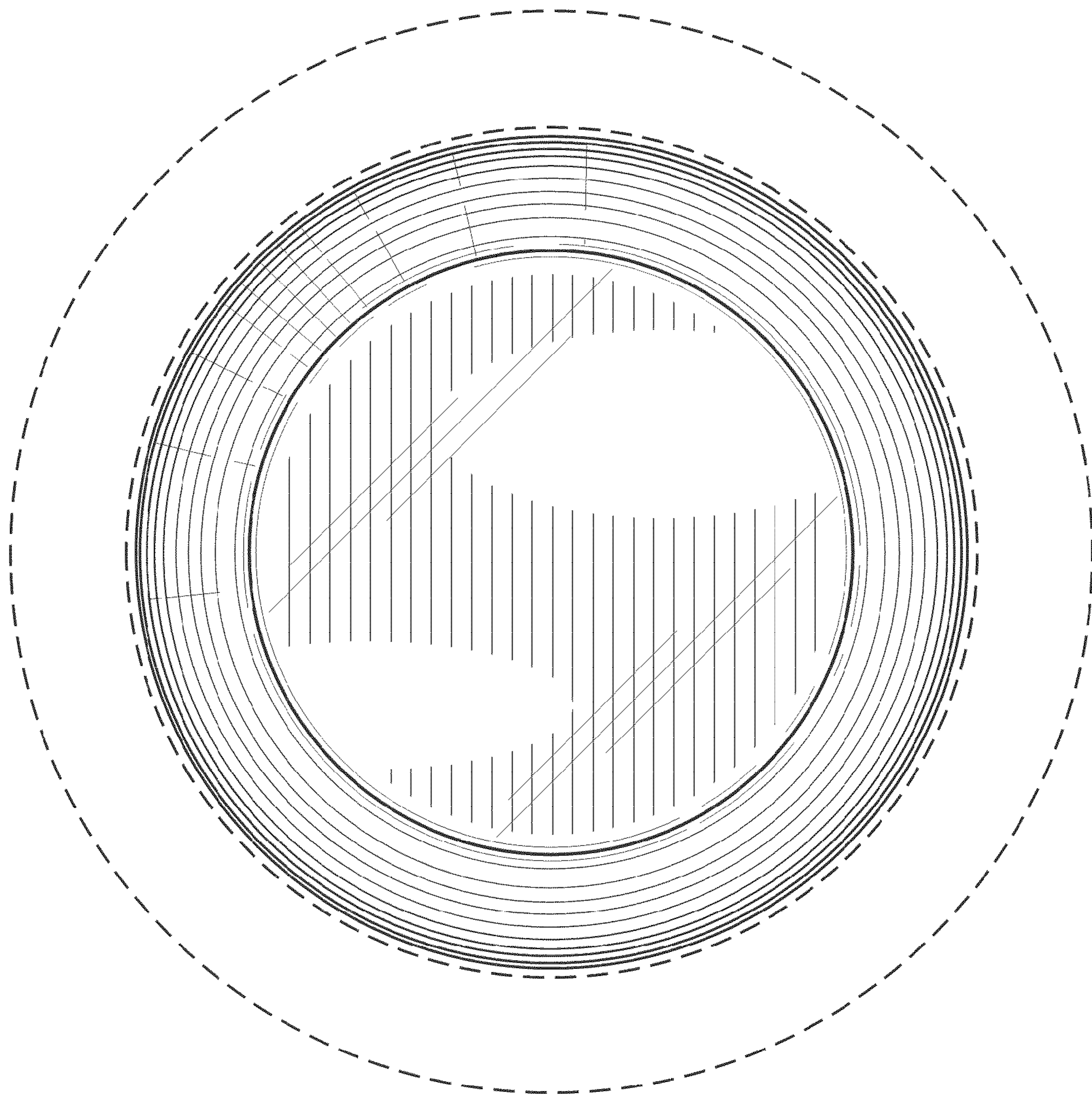


FIG. 3

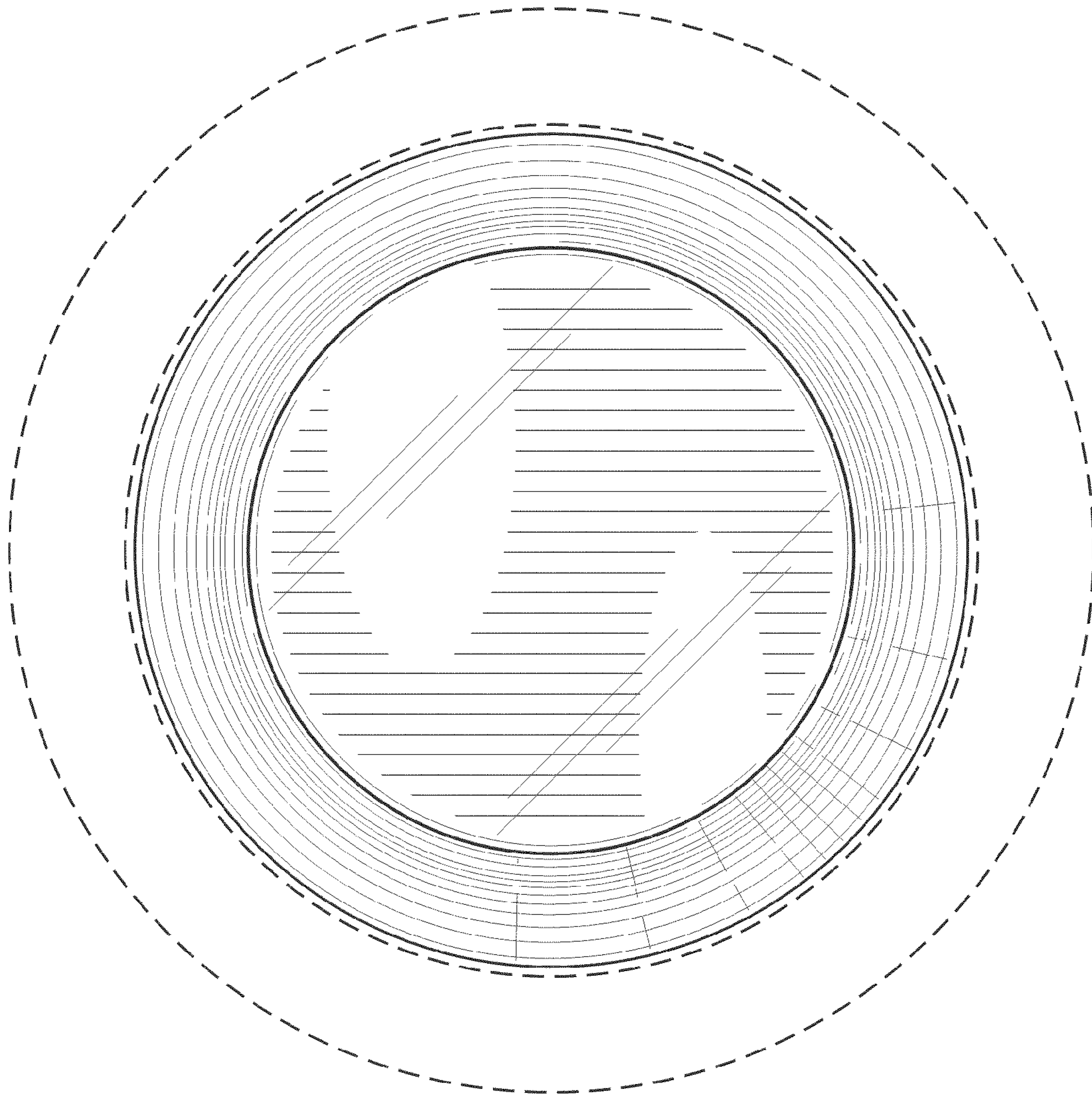


FIG. 4