



US00D554940S

(12) **United States Design Patent**  
**Munari**

(10) **Patent No.:** **US D554,940 S**

(45) **Date of Patent:** **\*\* Nov. 13, 2007**

(54) **SAUCEPAN HANDLE**

(75) Inventor: **Marco Munari**, Cardano Al Campo (IT)

(73) Assignee: **La Termoplastico F.B.M. - S.r.l.** (IT)

(\*\*) Term: **14 Years**

(21) Appl. No.: **29/260,352**

(22) Filed: **May 23, 2006**

(51) **LOC (8) Cl.** ..... **07-02**

(52) **U.S. Cl.** ..... **D7/394**

(58) **Field of Classification Search** ..... D7/393,  
D7/354-361; D8/300, 301, 307, 310, 312;  
220/752; 16/110.1, 414, 417, 441, 443  
See application file for complete search history.

(56) **References Cited**

**U.S. PATENT DOCUMENTS**

D208,918 S *	10/1967	Dole	.....	D8/311
D225,204 S *	11/1972	Kendrick	.....	D8/311
D333,065 S *	2/1993	Murphy	.....	D7/391
D371,486 S *	7/1996	Chan	.....	D7/393

D400,778 S *	11/1998	Holbrook, Jr.	.....	D8/311
D443,496 S *	6/2001	DeCosse	.....	D8/300
D511,669 S *	11/2005	Miller	.....	D8/300

\* cited by examiner

*Primary Examiner*—Holly H. Baynham

*Assistant Examiner*—Cynthia M. Chin

(74) *Attorney, Agent, or Firm*—Lieberman & Brandsdorfer, LLC

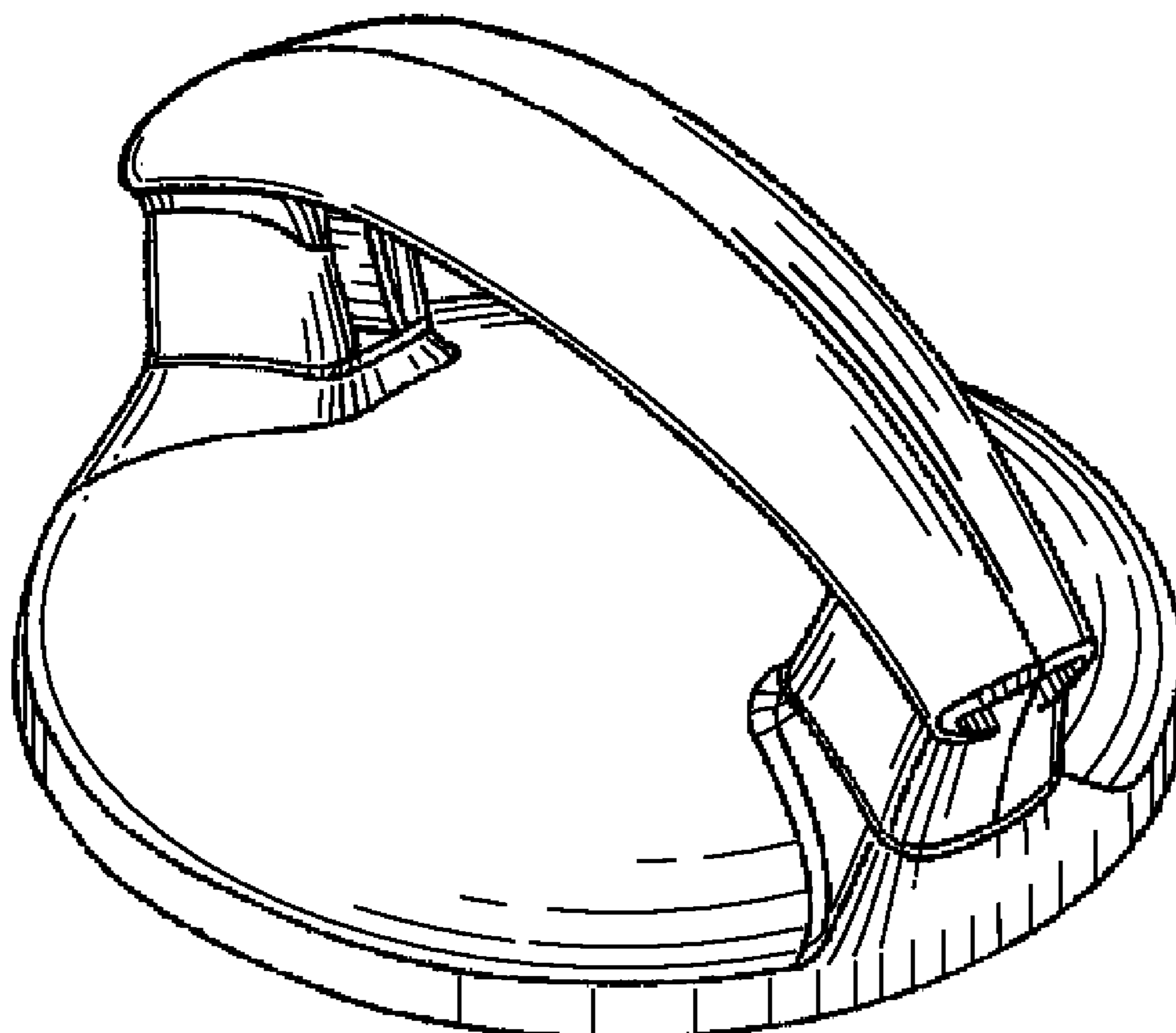
(57) **CLAIM**

The ornamental design for a saucepan handle, as shown and described.

**DESCRIPTION**

FIG. 1 is a side elevation view of my new design relating to a saucepan handle (the opposite side view being the same); FIG. 2 is a front elevation view thereof (the rear view being the same); FIG. 3 is a top plan view thereof; FIG. 4 is a bottom elevation view thereof; and, FIG. 5 is a top/side perspective view thereof.

**1 Claim, 2 Drawing Sheets**



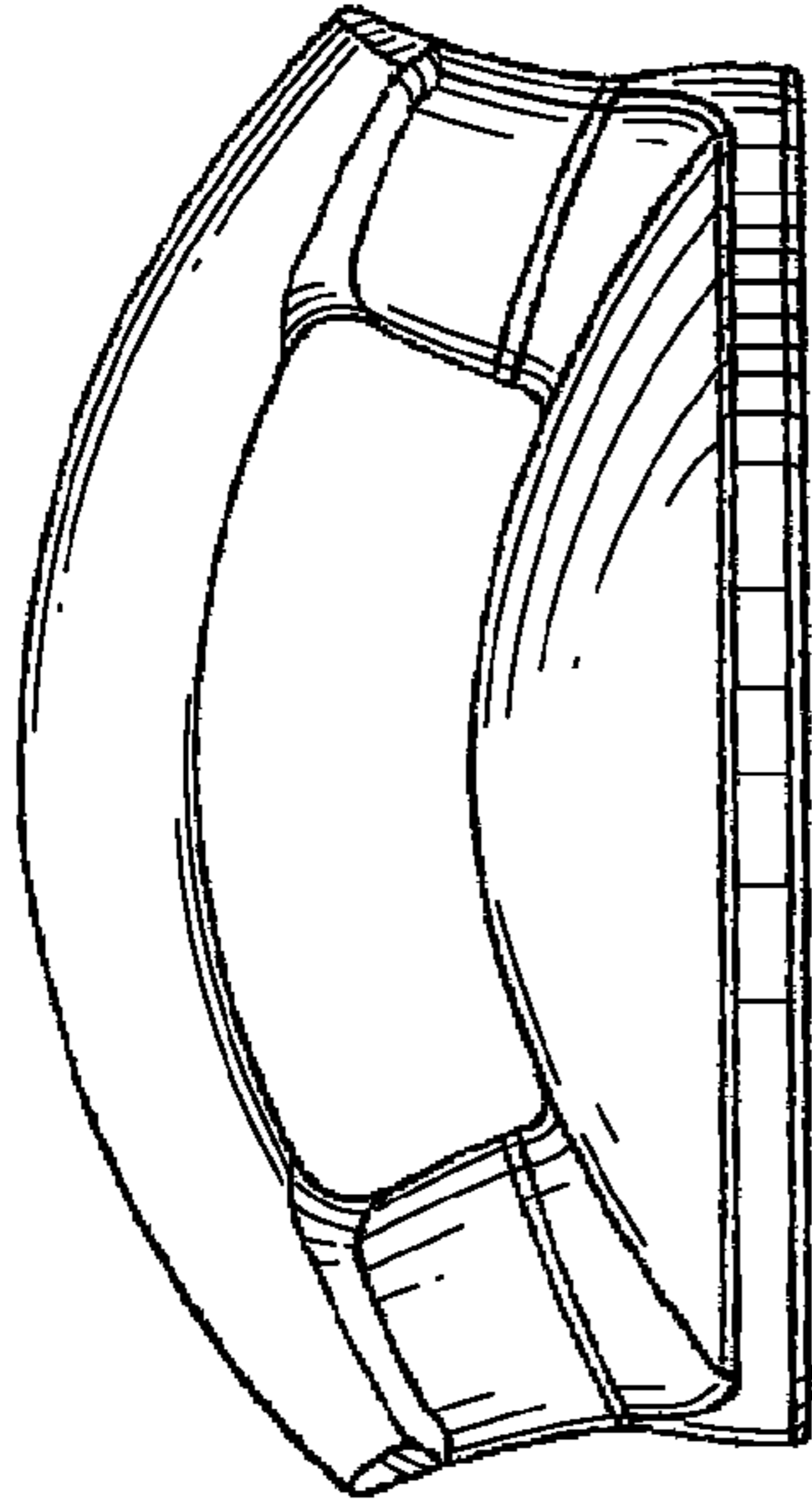


Fig. 1

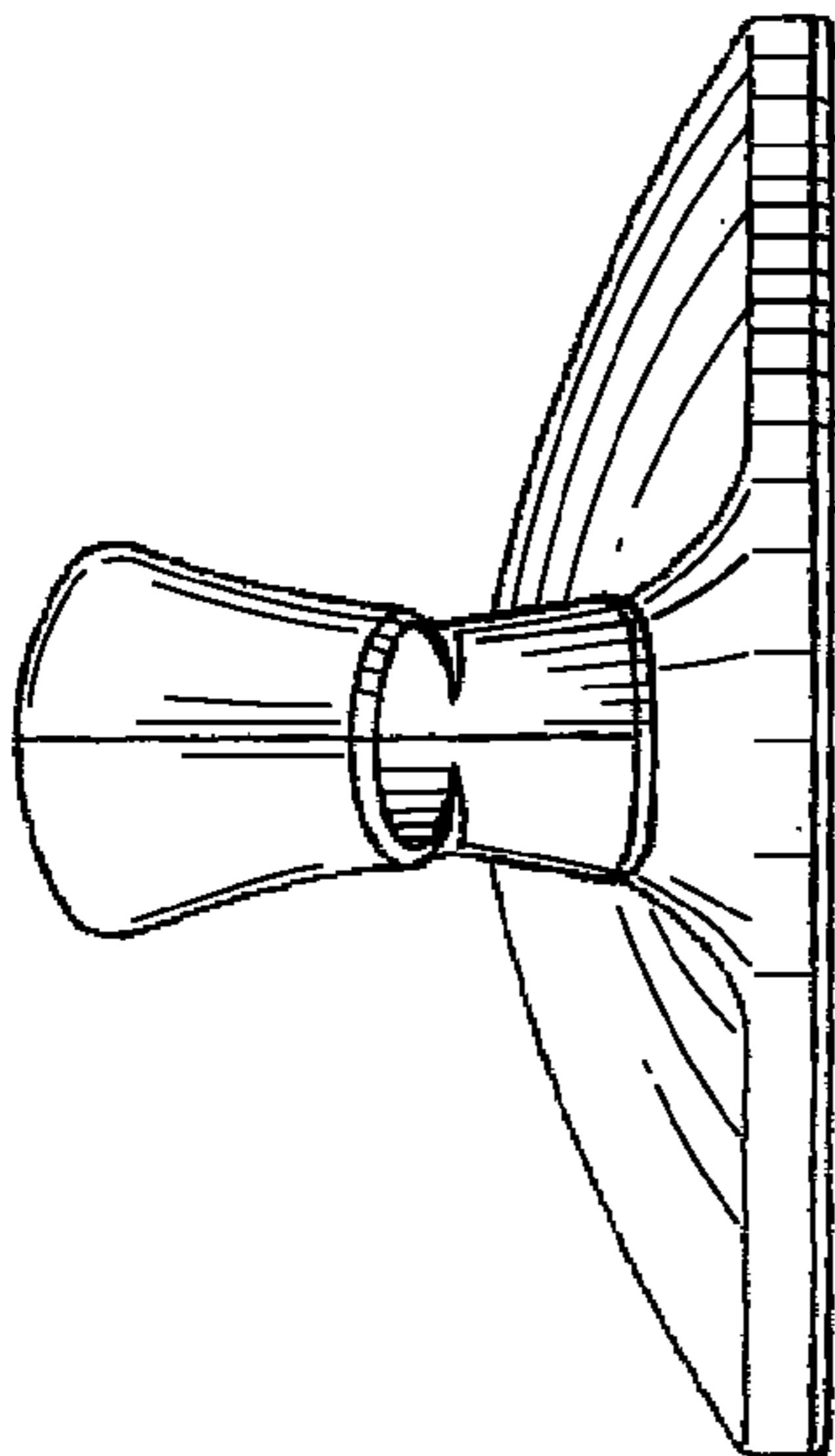


Fig. 2

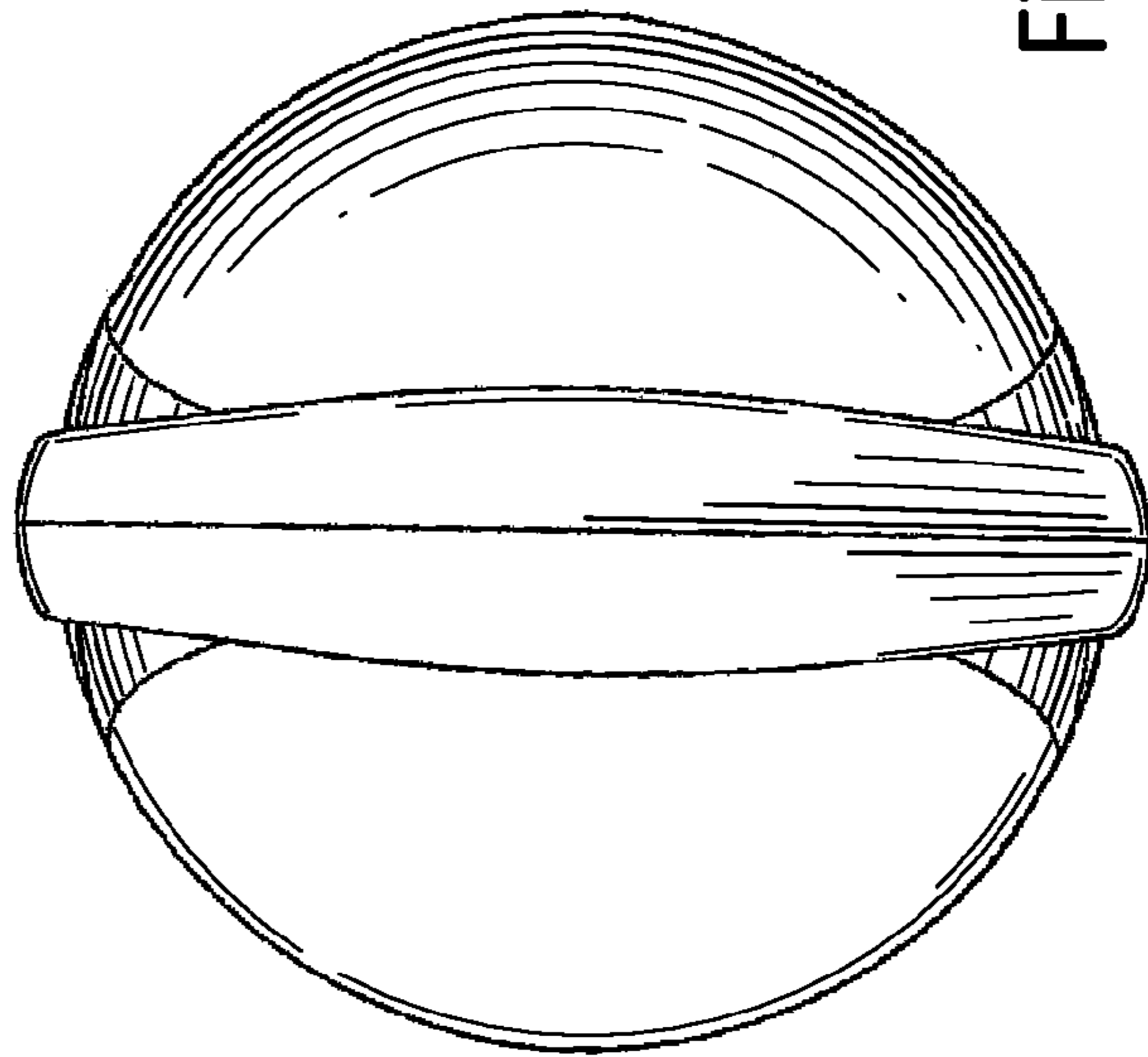


Fig. 3

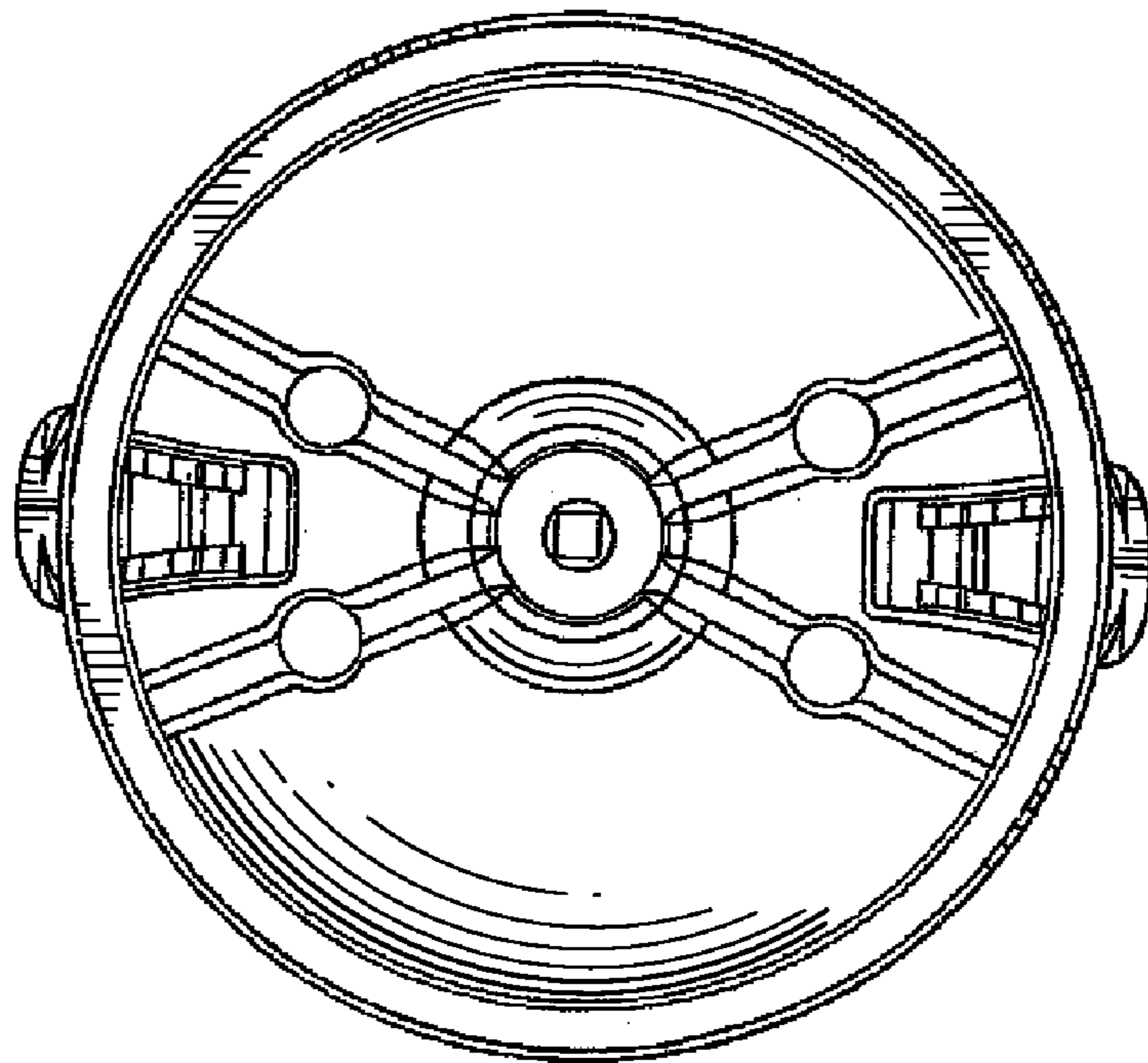


Fig. 4

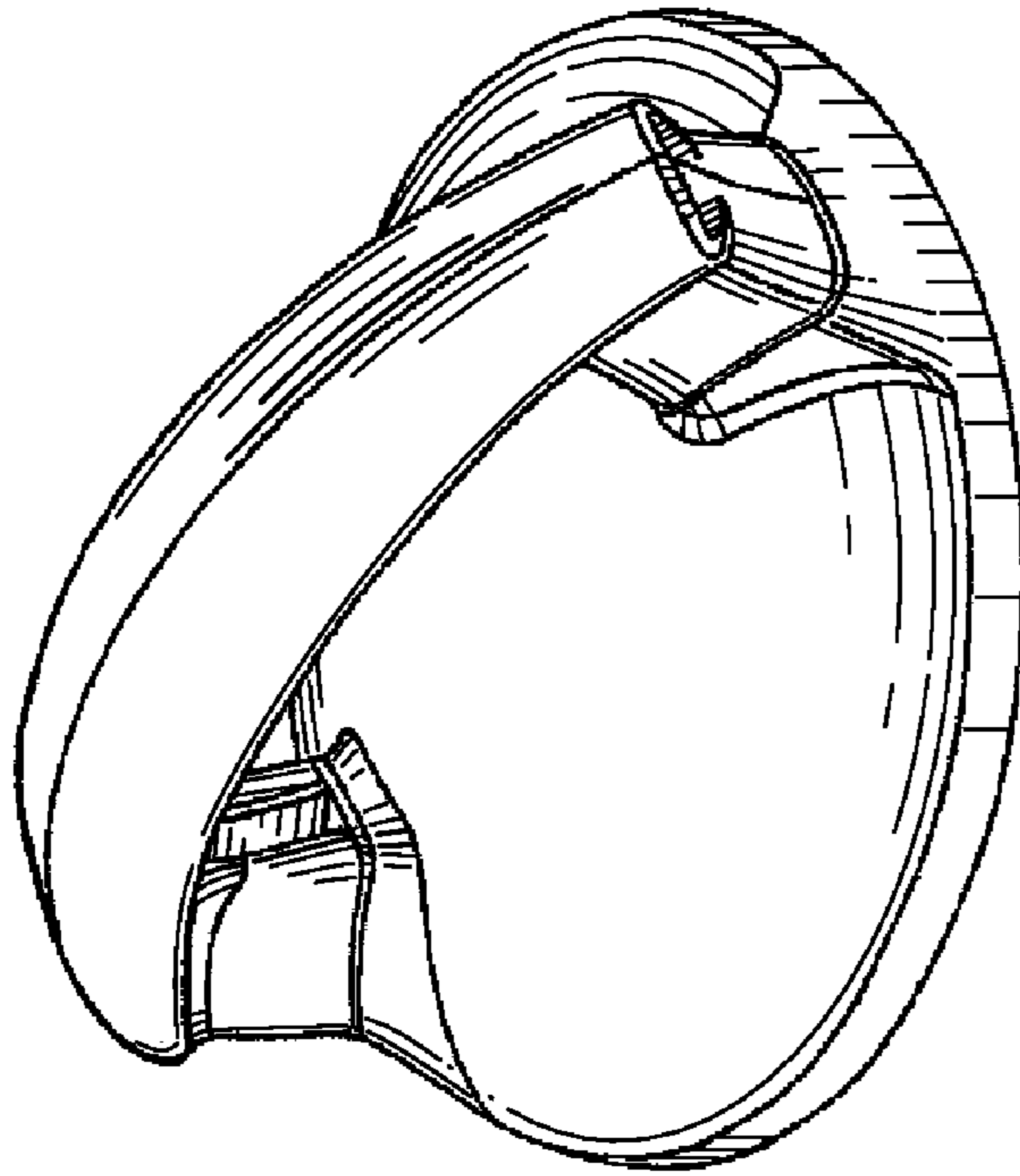


Fig. 5