



US00D554939S

(12) **United States Design Patent**
Munari

(10) **Patent No.:** **US D554,939 S**

(45) **Date of Patent:** **** Nov. 13, 2007**

(54) **SAUCEPAN HANDLE**

(75) Inventor: **Marco Munari**, Cardano Al Campo (IT)

(73) Assignee: **La Termoplastico F.B.M. - S.r.l.** (IT)

(**) Term: **14 Years**

(21) Appl. No.: **29/260,351**

(22) Filed: **May 23, 2006**

(51) **LOC (8) Cl.** **07-02**

(52) **U.S. Cl.** **D7/394**

(58) **Field of Classification Search** D7/354-361,
D7/393-395, 401.2; D8/107, 307; 16/430,
16/431, 110.1; 220/573.1-573.5, 752, 753,
220/755, 756, 912

See application file for complete search history.

(56) **References Cited**

U.S. PATENT DOCUMENTS

D262,551 S *	1/1982	Argandona	D8/307
D348,178 S *	6/1994	Munari	D7/394
D391,444 S *	3/1998	Munari	D7/394
D410,817 S *	6/1999	Brunianyn	D7/393
D461,092 S *	8/2002	Coudurier	D7/393
D461,094 S *	8/2002	Coudurier	D7/394

D462,570 S *	9/2002	Munari	D7/394
D470,011 S *	2/2003	Munari	D7/394
D496,557 S *	9/2004	Munari	D7/394
D505,268 S *	5/2005	Potempa	D4/129

* cited by examiner

Primary Examiner—Holly H. Baynham

Assistant Examiner—Cynthia M. Chin

(74) *Attorney, Agent, or Firm*—Lieberman & Brandsdorfer, LLC

(57) **CLAIM**

The ornamental design for a saucepan handle, as shown and described.

DESCRIPTION

FIG. 1 is a front elevation view of my new design relating to a saucepan handle;

FIG. 2 is a side elevation view thereof (the opposite side view being symmetrical);

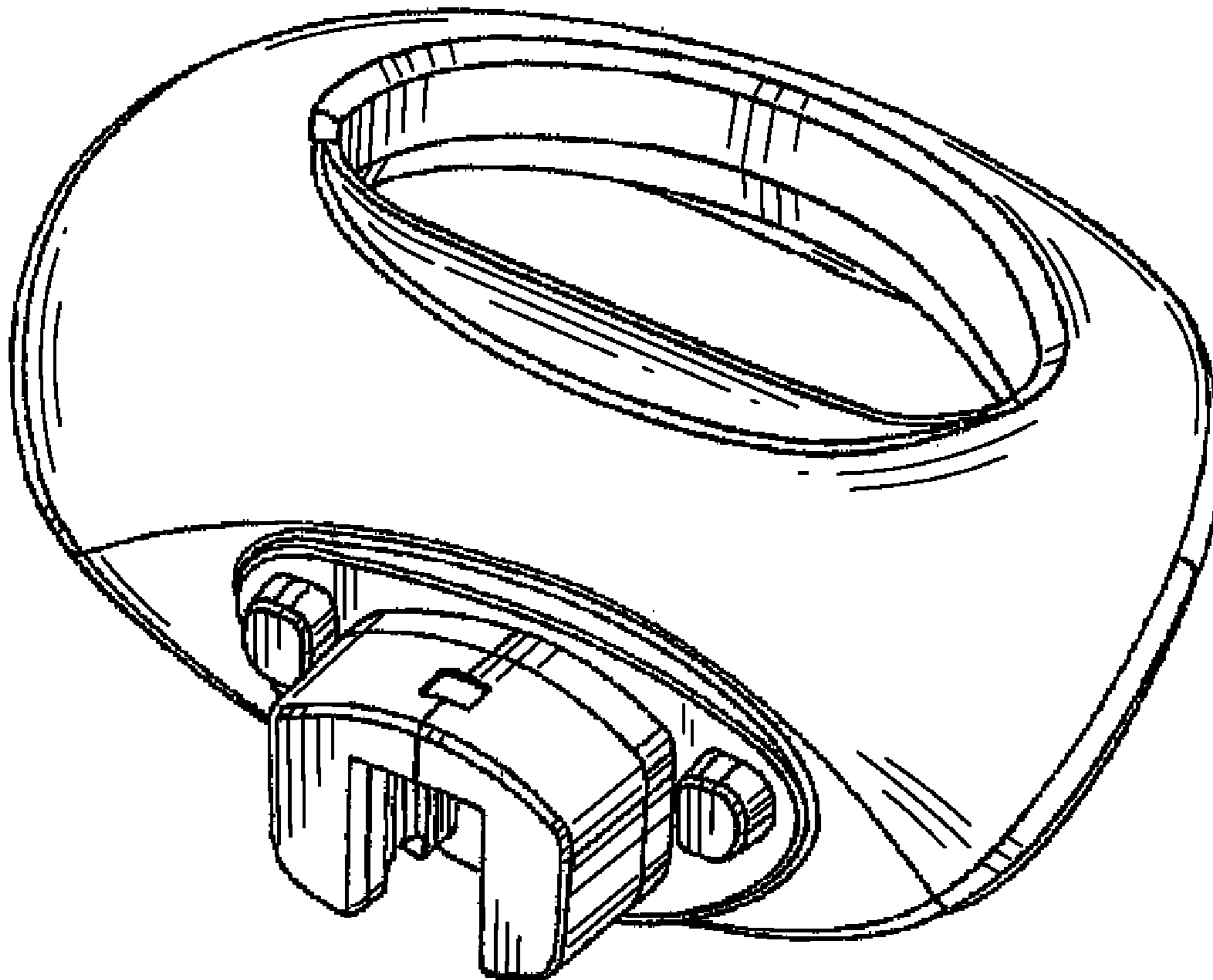
FIG. 3 is a rear elevation view thereof;

FIG. 4 is a top plan view thereof;

FIG. 5 is a bottom plan view thereof; and,

FIG. 6 is a top/rear perspective view thereof.

1 Claim, 2 Drawing Sheets



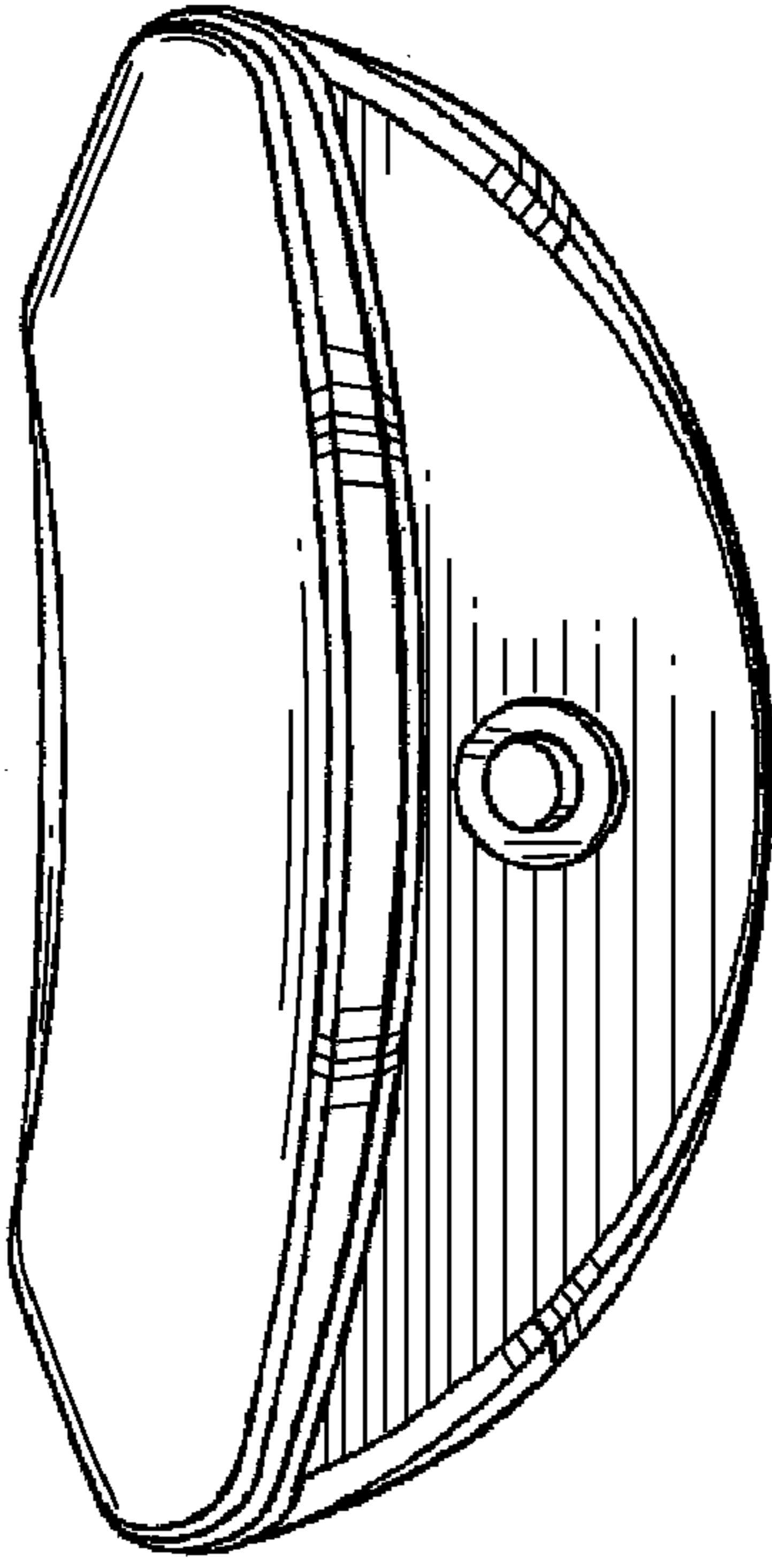


Fig. 1

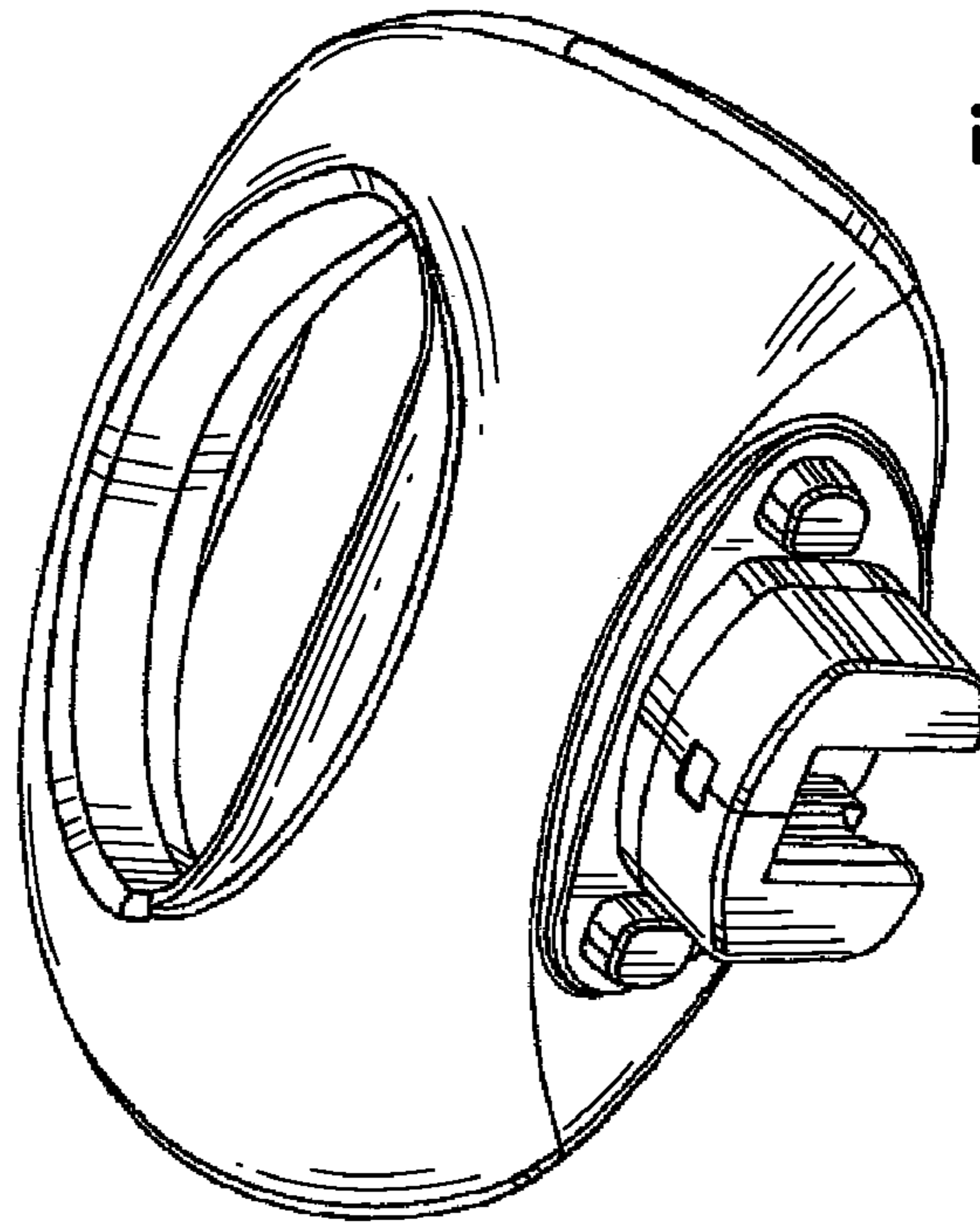


Fig. 6

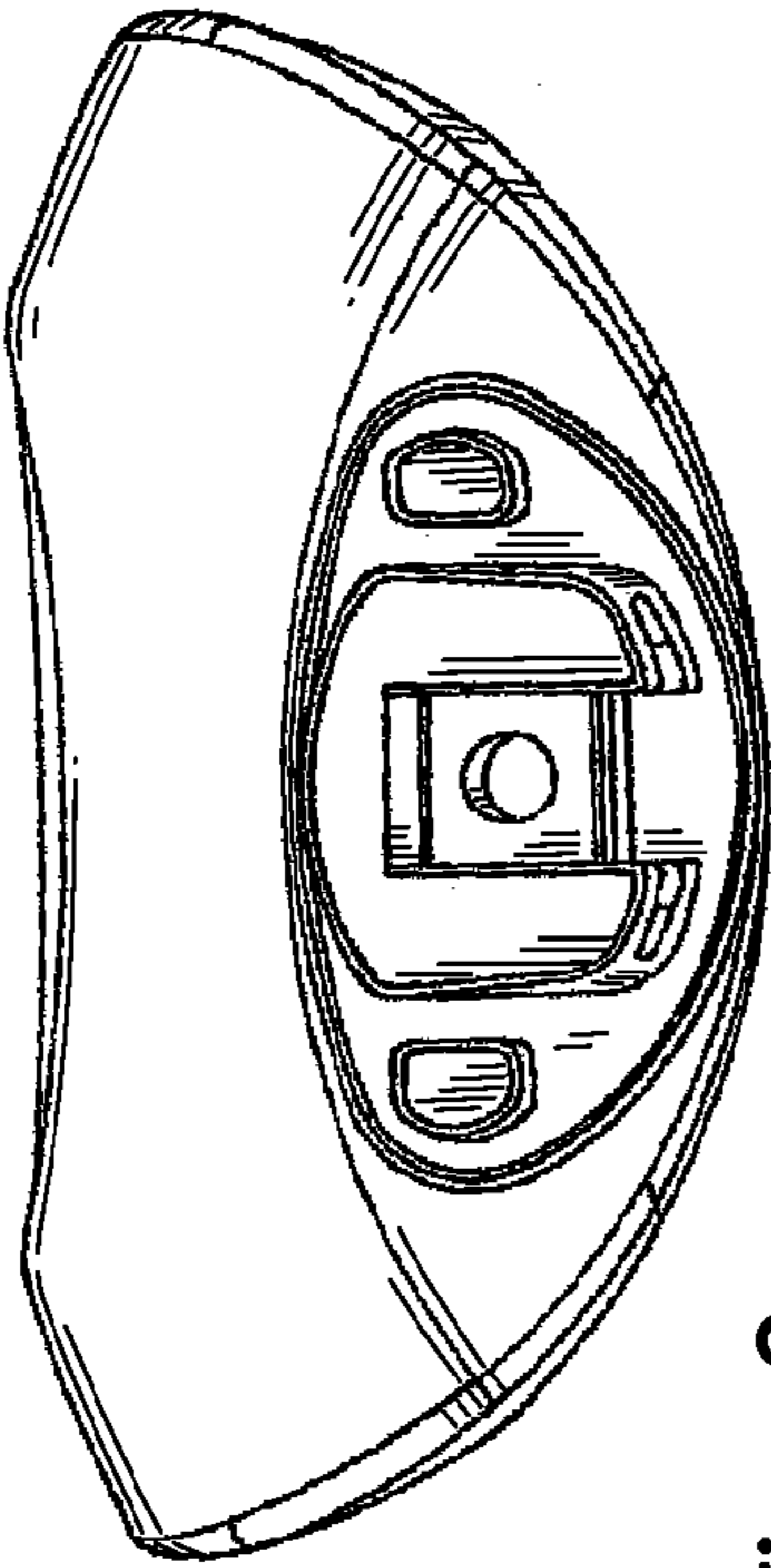


Fig. 3

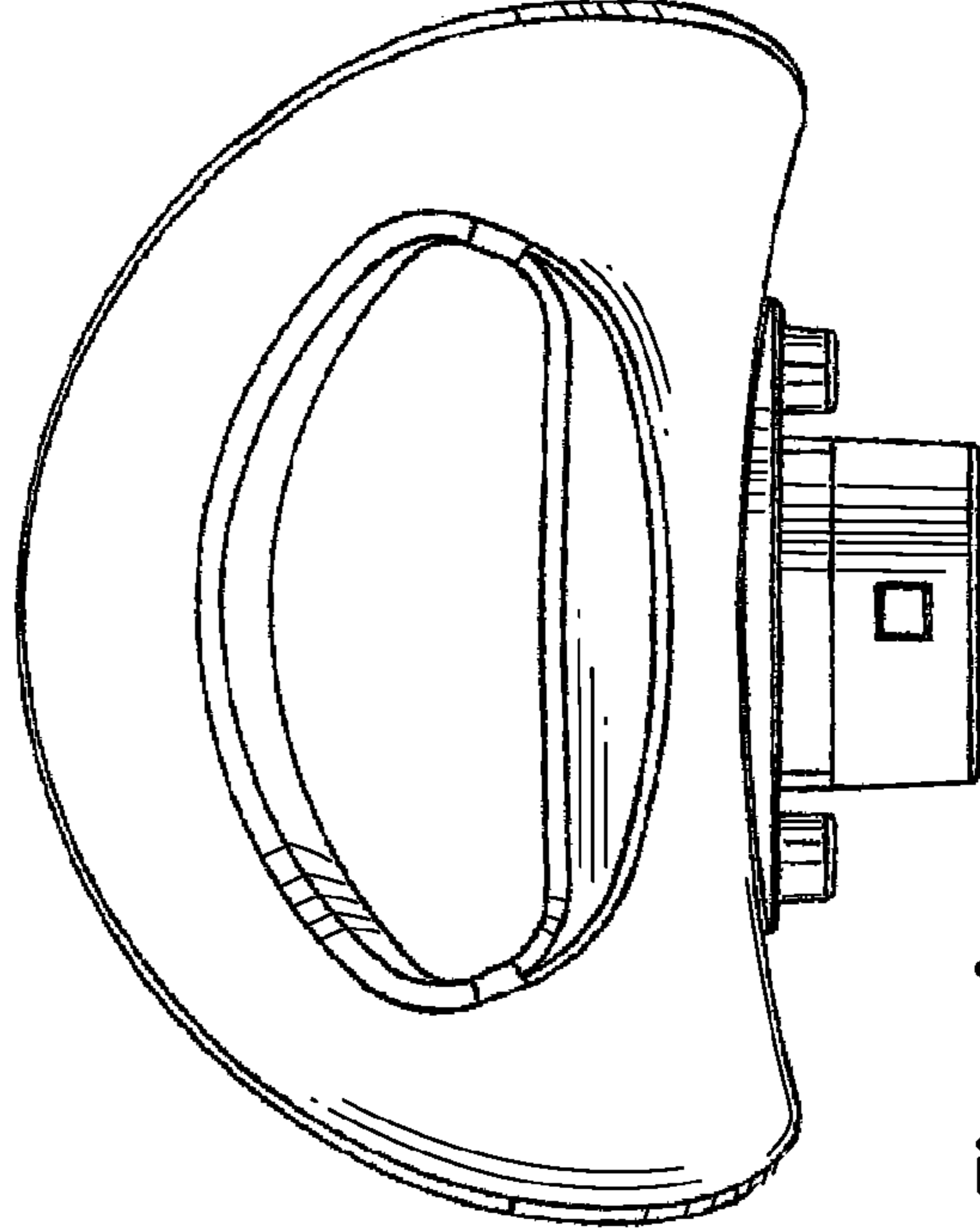


Fig. 4

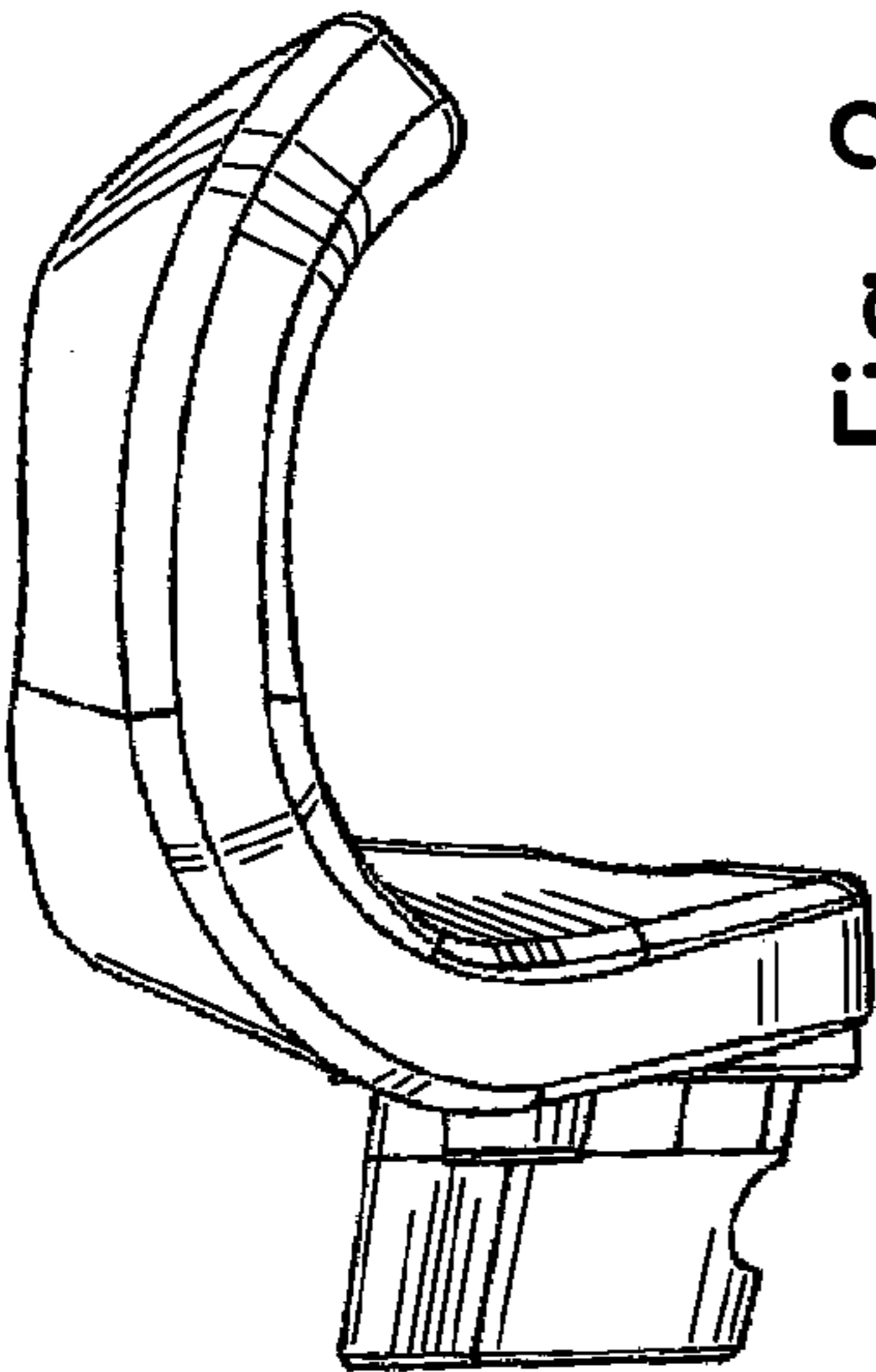


Fig. 2

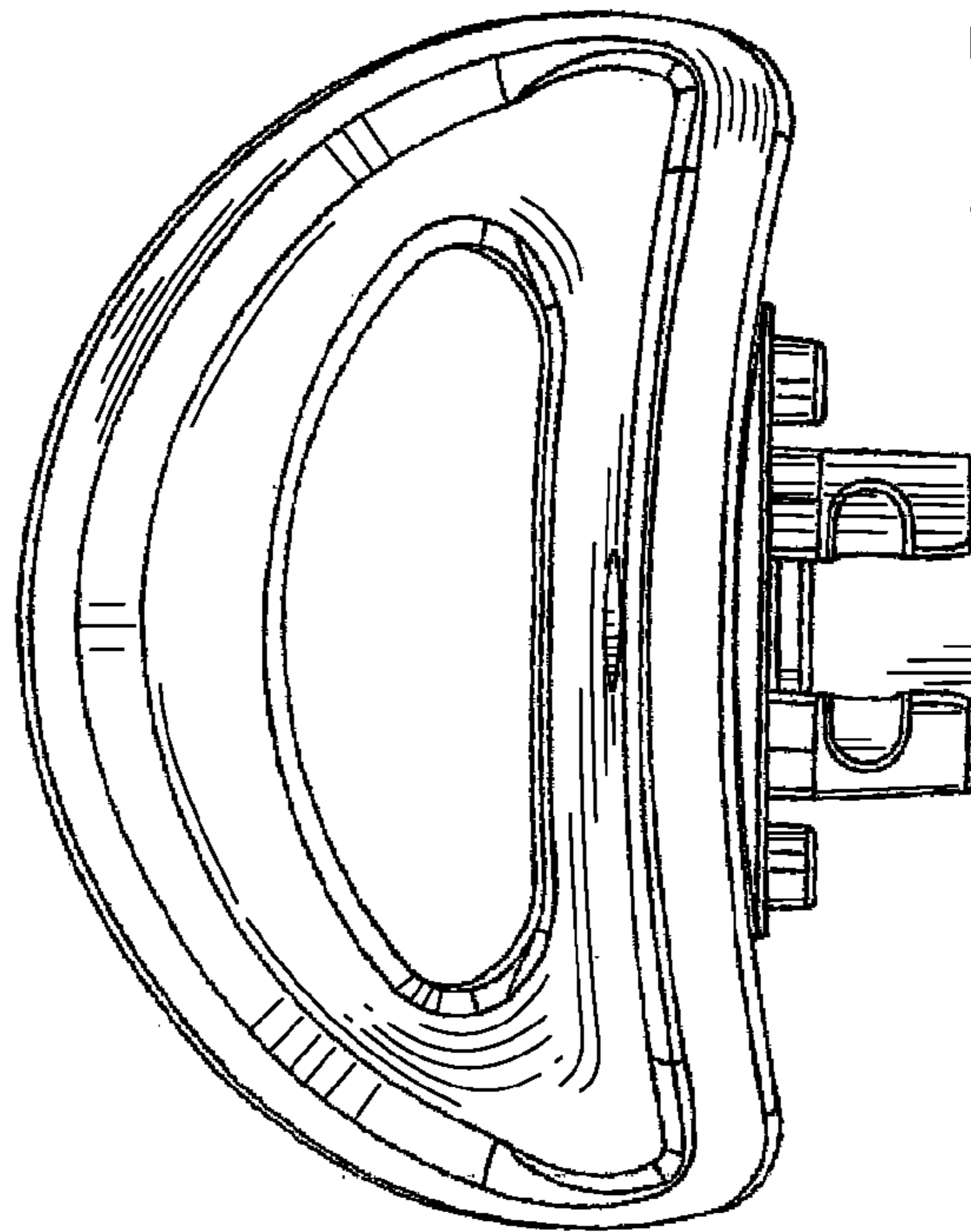


Fig. 5