



US00D554938S

(12) **United States Design Patent**
Garman et al.

(10) **Patent No.:** **US D554,938 S**

(45) **Date of Patent:** **** Nov. 13, 2007**

(54) **BLENDER**

(75) Inventors: **Michael Garman**, Stafford, VA (US);
Benjamin Henry Branson, III,
Mechanicsville, VA (US)

(73) Assignee: **Hamilton Beach/Proctor-Silex, Inc.**,
Glen Allen, VA (US)

(**) Term: **14 Years**

(21) Appl. No.: **29/277,555**

(22) Filed: **Mar. 1, 2007**

(51) **LOC (8) Cl.** **31-00**

(52) **U.S. Cl.** **D7/378**

(58) **Field of Classification Search** D7/300.1,
D7/306, 313, 372-386, 412, 413; D14/413;
74/16; 99/509-511; 241/30, 33, 37.5, 101.01-101.02,
241/166-169.1, 274-278.2, 282.1-282.2,
241/285.1-285.3, 291, 292.1, 301; 318/443;
366/64-67, 98, 100, 129, 191, 197-201,
366/205-207, 219-221, 241-254, 279-292,
366/325.94, 330.4, 341-343

See application file for complete search history.

(56) **References Cited**

U.S. PATENT DOCUMENTS

2,800,310 A	7/1957	Snyder	
3,537,691 A	11/1970	Tsuruta et al.	
D373,504 S	* 9/1996	Leverrier	D7/378
D390,416 S	2/1998	Hippen et al.	
D394,986 S	* 6/1998	Lallemand	D7/378
D400,757 S	11/1998	Hippen et al.	
D412,809 S	* 8/1999	Toro et al.	D7/378
D439,797 S	* 4/2001	Planca et al.	D7/378
D448,967 S	10/2001	Planca et al.	
D453,443 S	2/2002	Hoare et al.	
D465,127 S	* 11/2002	Lee	D7/378
D488,957 S	* 4/2004	Holderfield et al.	D7/413
D490,875 S	6/2004	Kim	
D502,358 S	3/2005	Weaden	
D507,149 S	* 7/2005	Ball et al.	D7/386
D510,238 S	10/2005	Yen	
D512,265 S	12/2005	McCurrach	
D519,314 S	4/2006	Blaise	
D525,482 S	7/2006	Kassenaar	

D528,855 S	9/2006	Picozza et al.	
D529,758 S	* 10/2006	Beesley et al.	D7/378
D533,020 S	* 12/2006	Kassenaar et al.	D7/378
D534,394 S	* 1/2007	Zhiwen et al.	D7/378
D539,080 S	* 3/2007	Zhiwen et al.	D7/384
D543,072 S	* 5/2007	Ting et al.	D7/378
2004/0032791 A1	2/2004	Gauss	
2006/0176768 A1	8/2006	Williams et al.	

* cited by examiner

Primary Examiner—Caron D. Veynar

Assistant Examiner—Ricky Pham

(74) *Attorney, Agent, or Firm*—Akin Gump Strauss Hauer & Feld LLP

(57) **CLAIM**

The ornamental design for a blender, as shown and described.

DESCRIPTION

FIG. 1 is a top left side perspective view of a blender in accordance with a first embodiment of my new design;

FIG. 2 is a front elevation view thereof;

FIG. 3 is a top plan view thereof;

FIG. 4 is a left-side elevation view thereof;

FIG. 5 is a right-side elevation view thereof;

FIG. 6 is a rear elevation view thereof;

FIG. 7 is a bottom plan view thereof;

FIG. 8 is a top left side perspective view of a blender shown in a storage position of FIG. 1;

FIG. 9 is a front elevation view thereof;

FIG. 10 a top plan view thereof;

FIG. 11 is a left-side elevation view thereof;

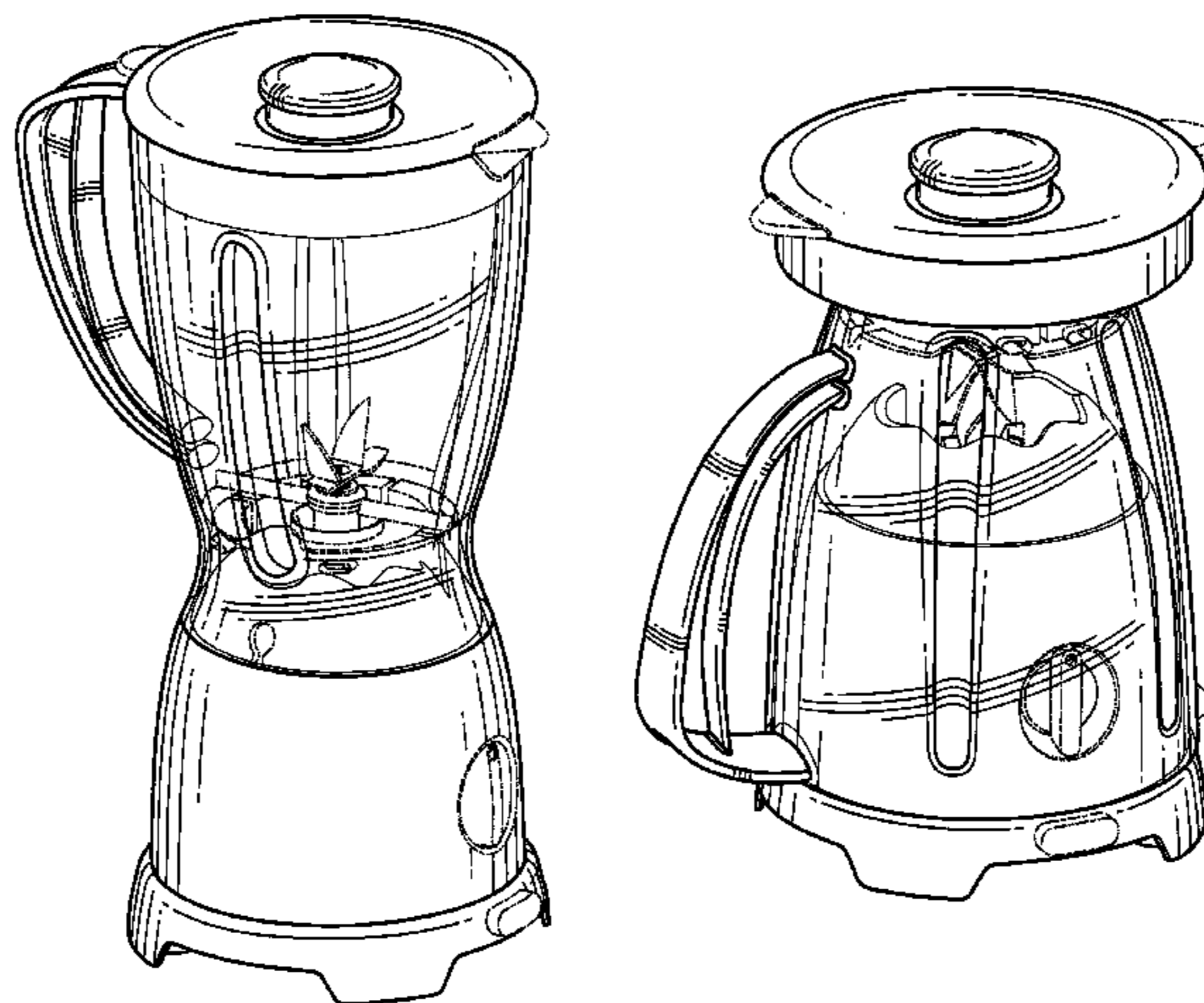
FIG. 12 is a right-side elevation view thereof;

FIG. 13 is a rear elevation view thereof; and,

FIG. 14 is a bottom plan view thereof.

The broken lines in the figures are for illustrative purposes only and form no part of the claimed design.

1 Claim, 14 Drawing Sheets



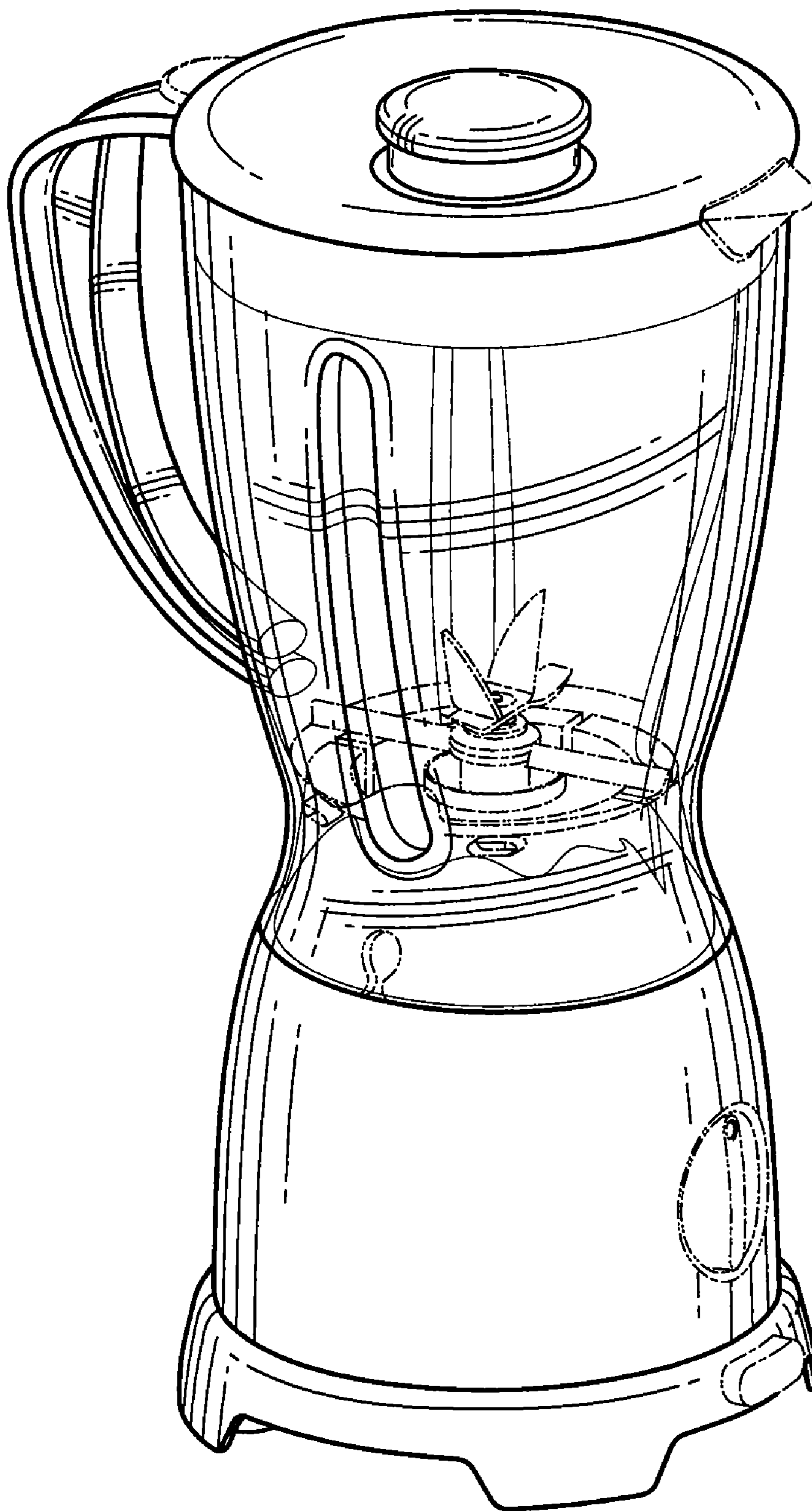


FIG. 1

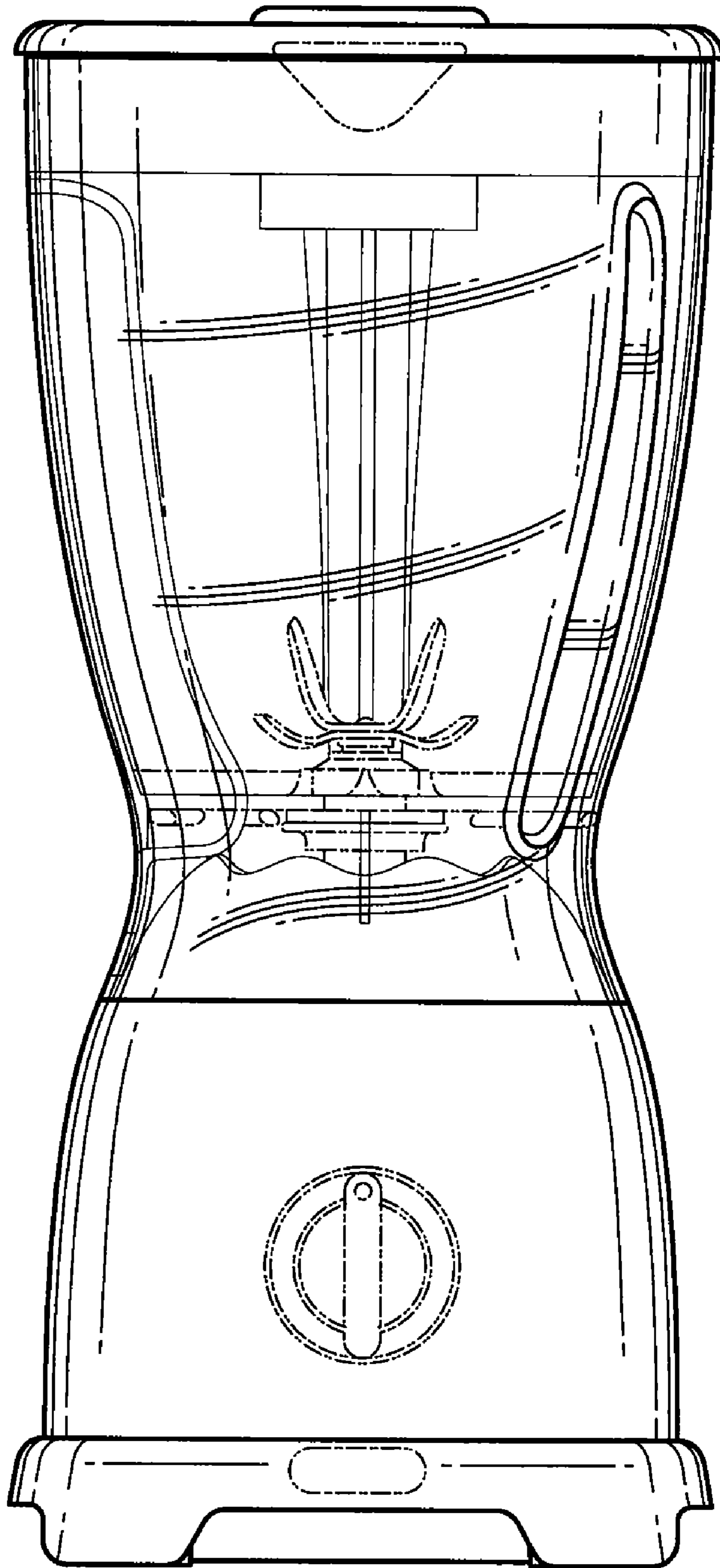


FIG. 2

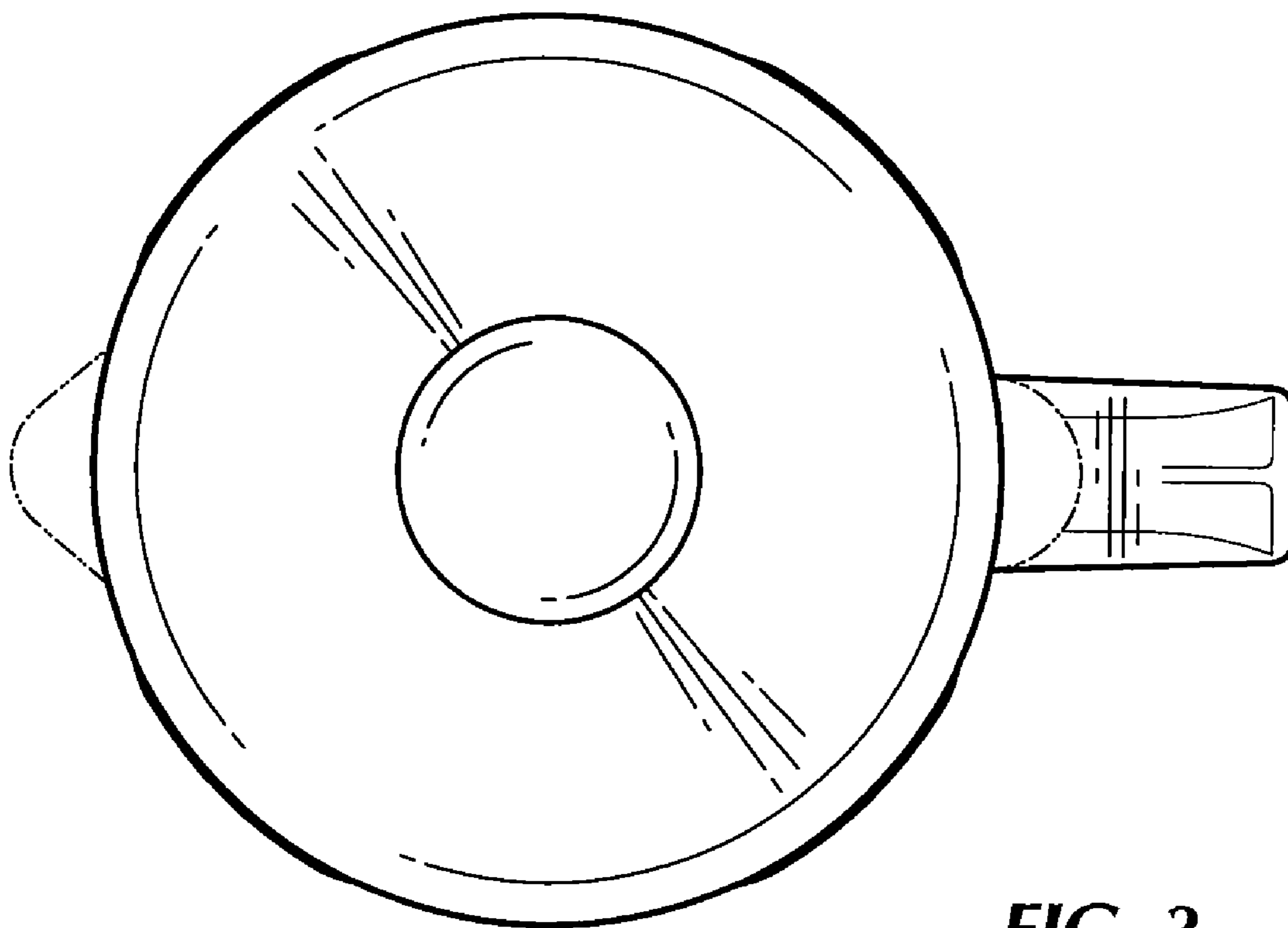


FIG. 3

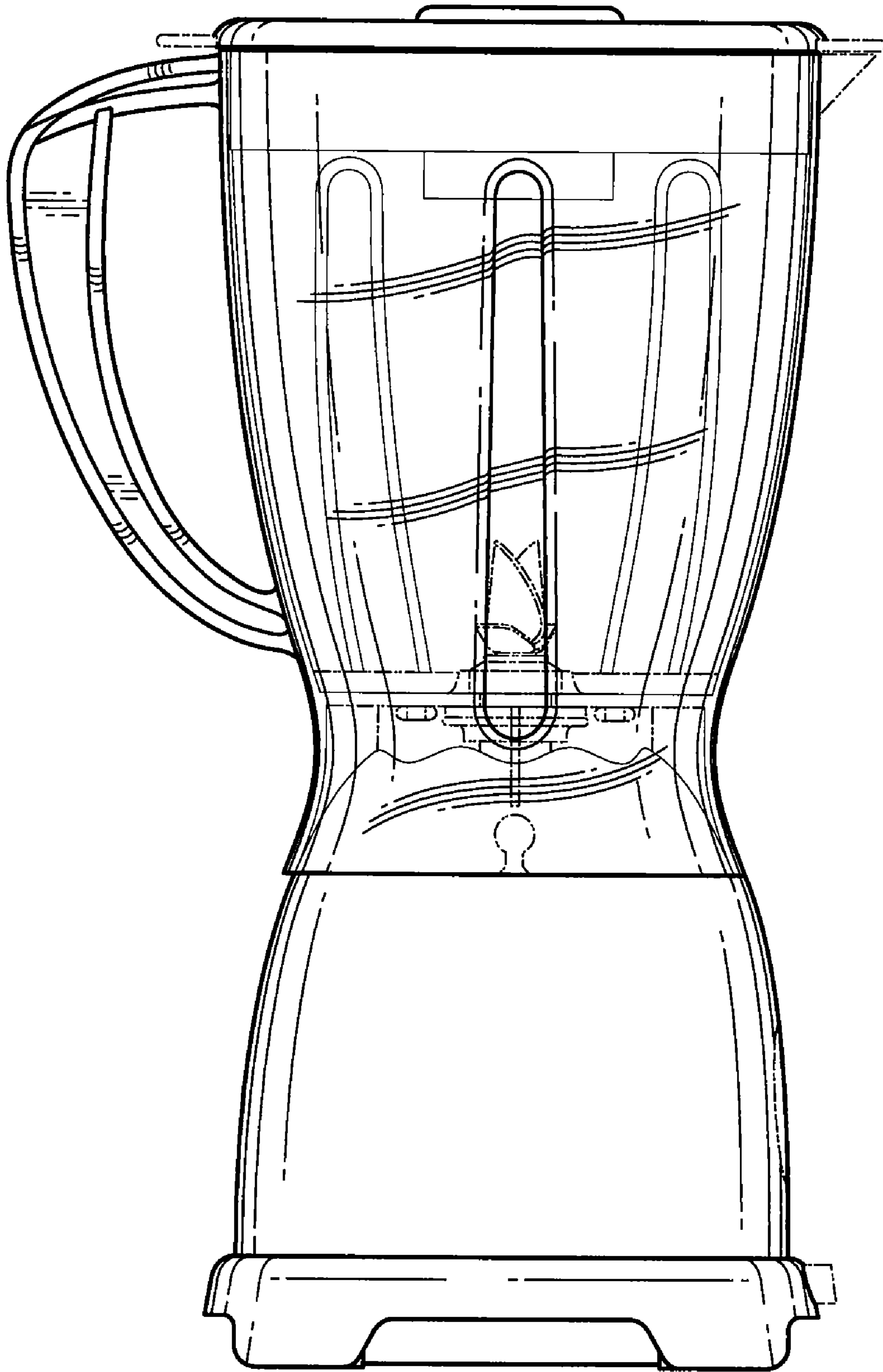


FIG. 4

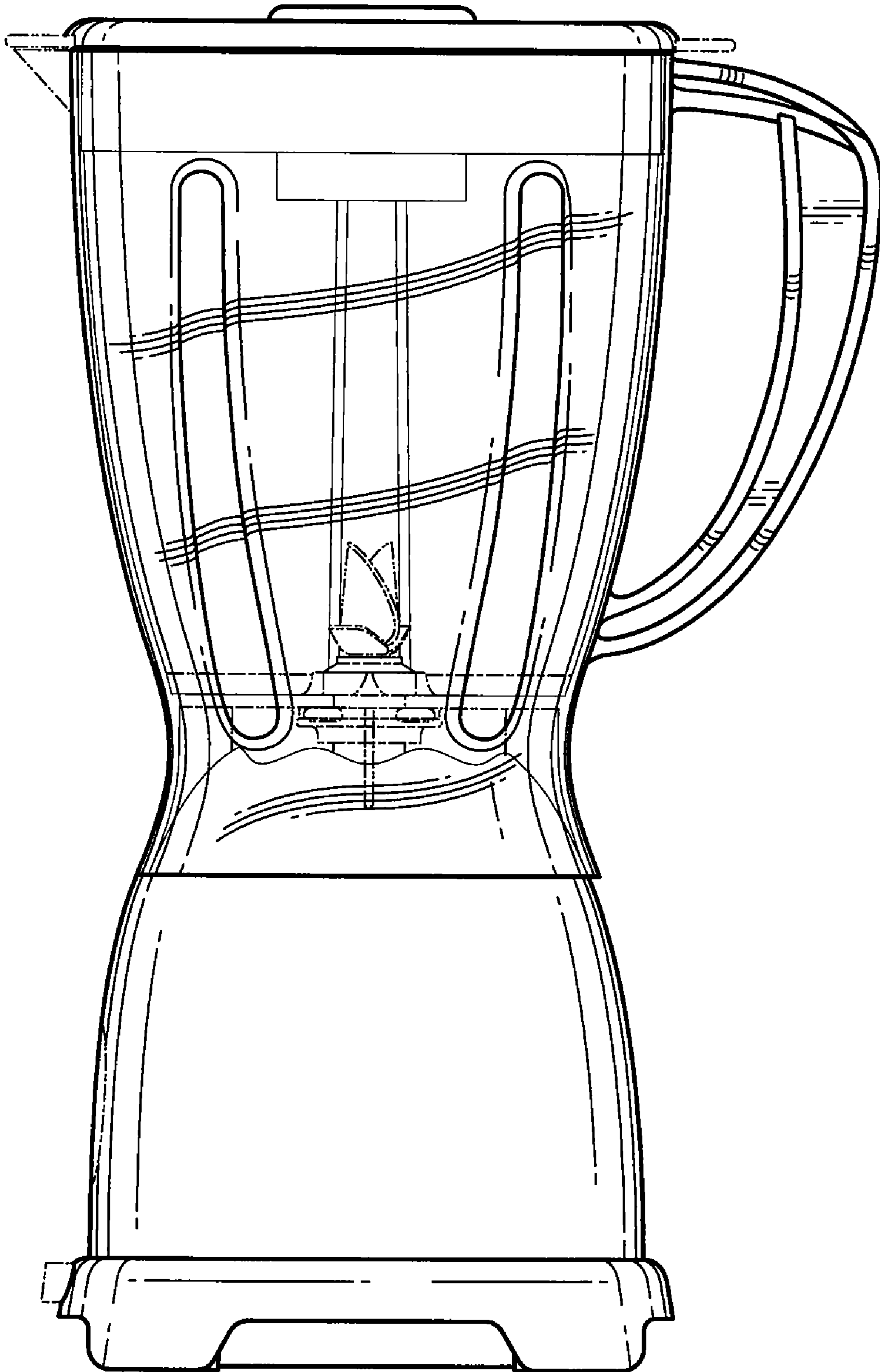


FIG. 5

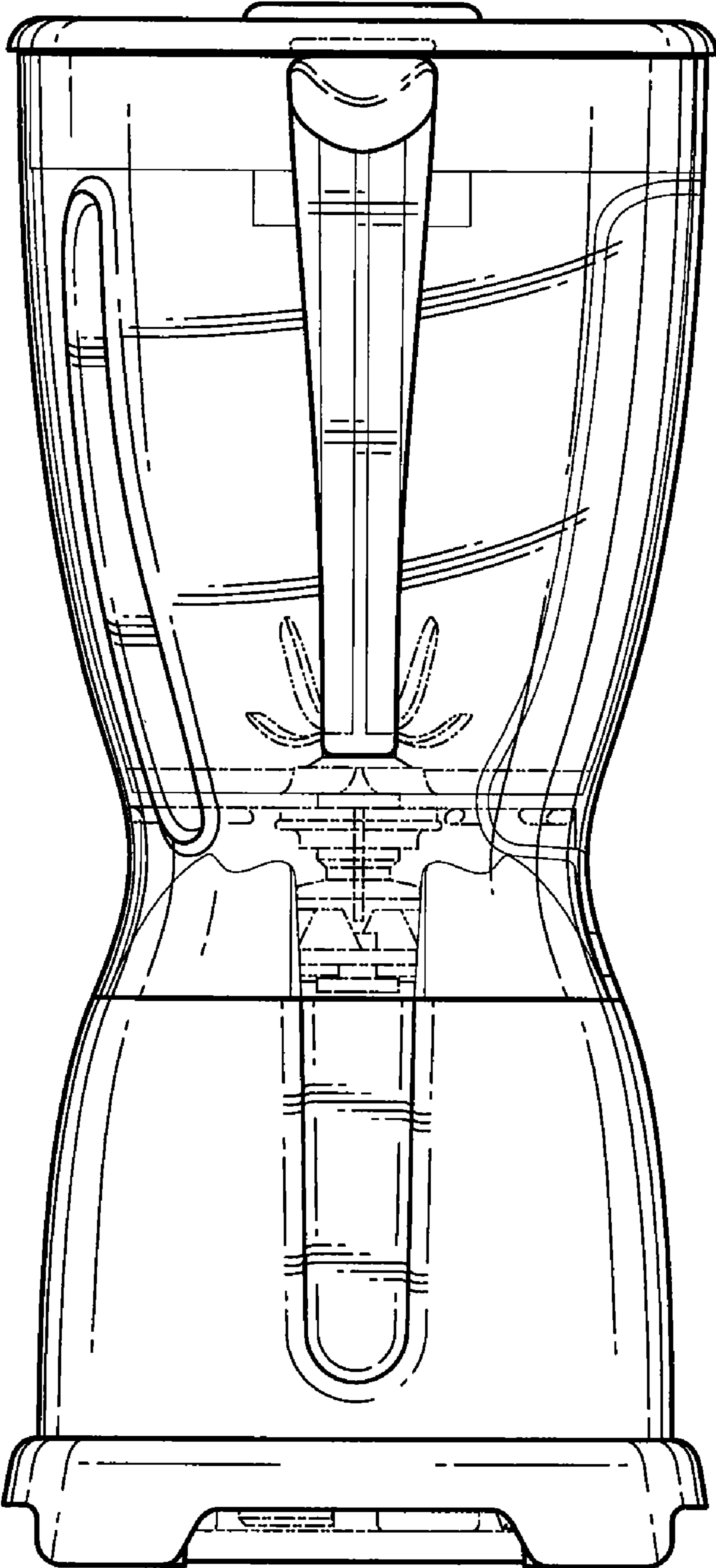


FIG. 6

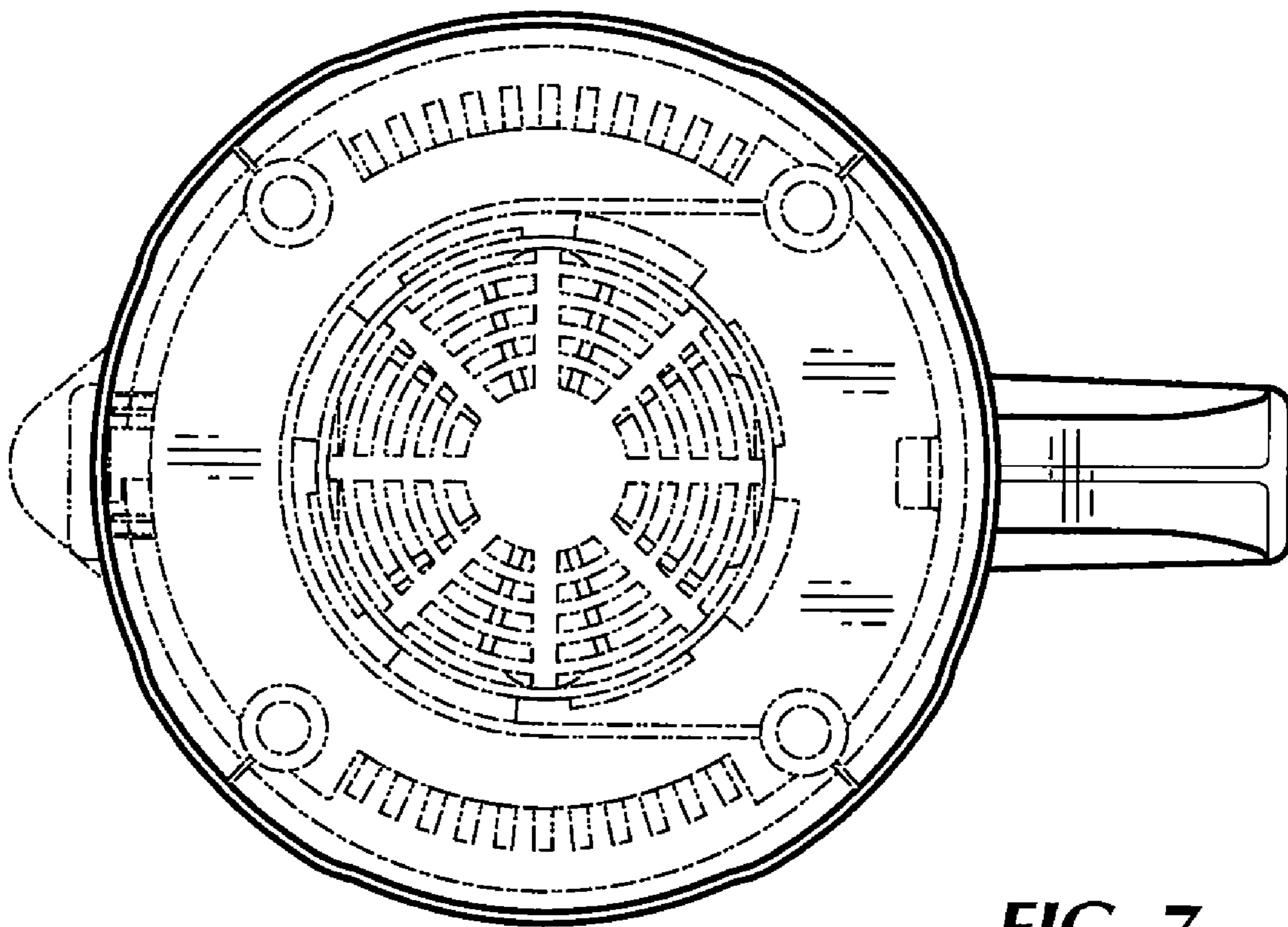


FIG. 7

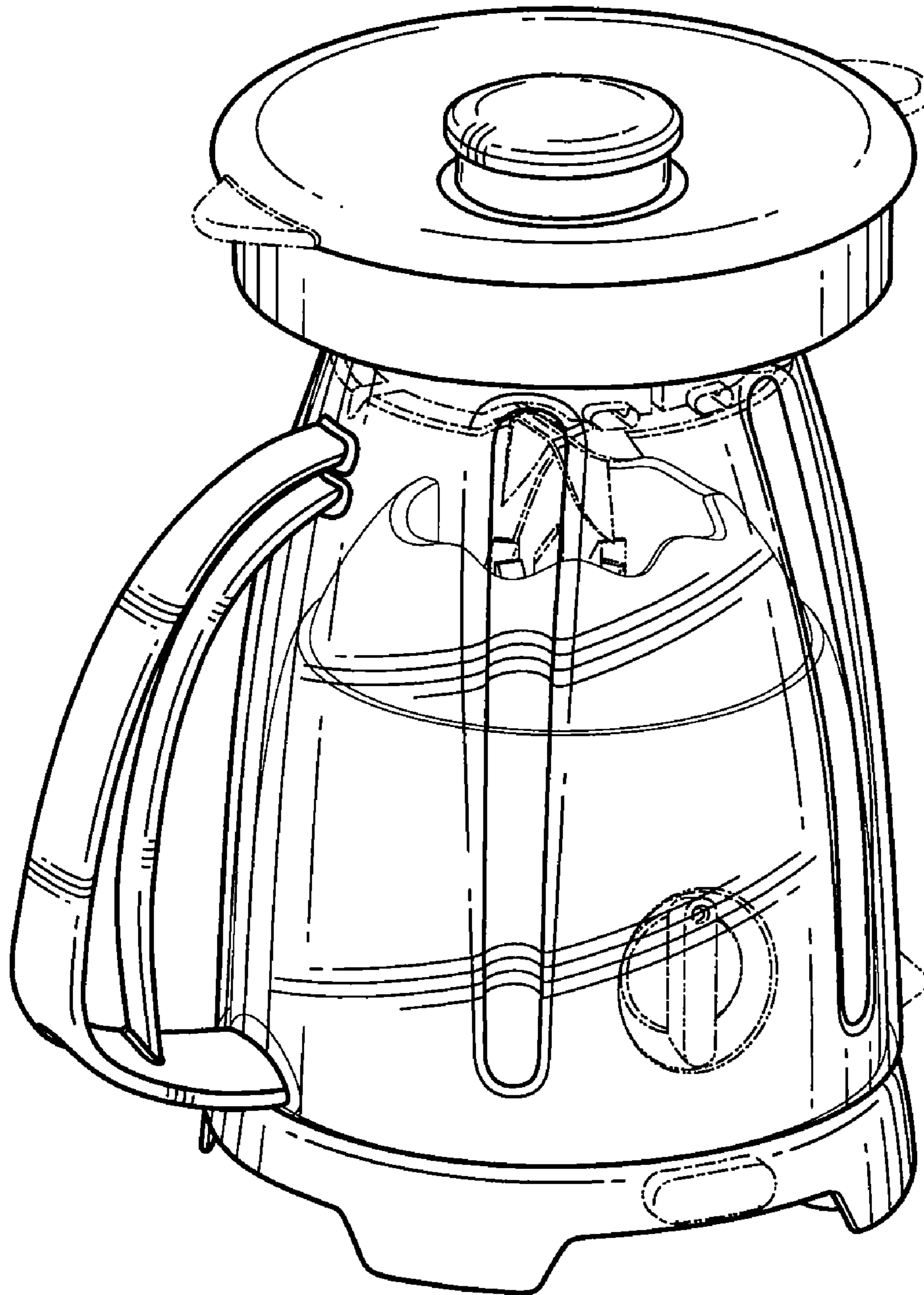


FIG. 8

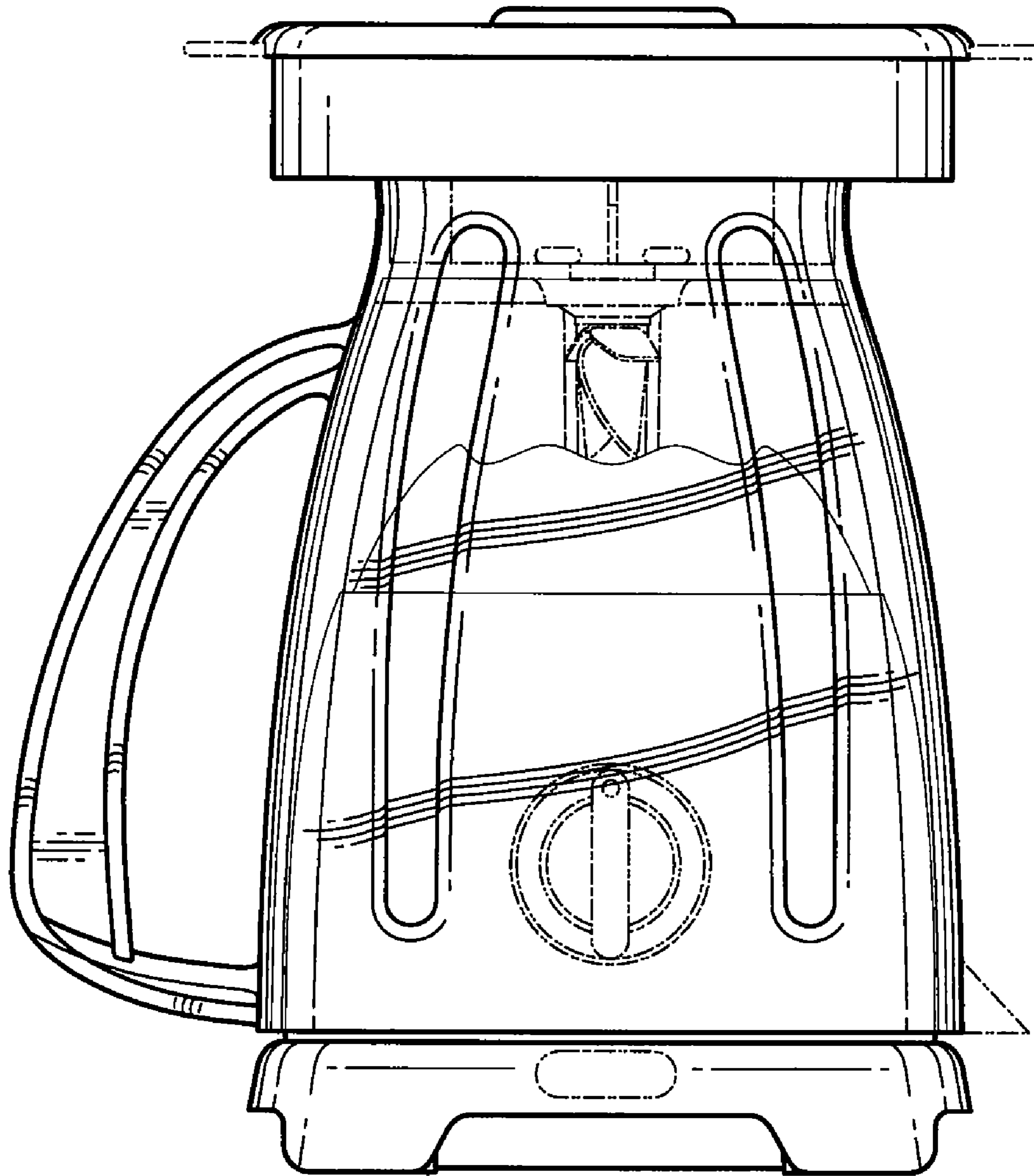


FIG. 9

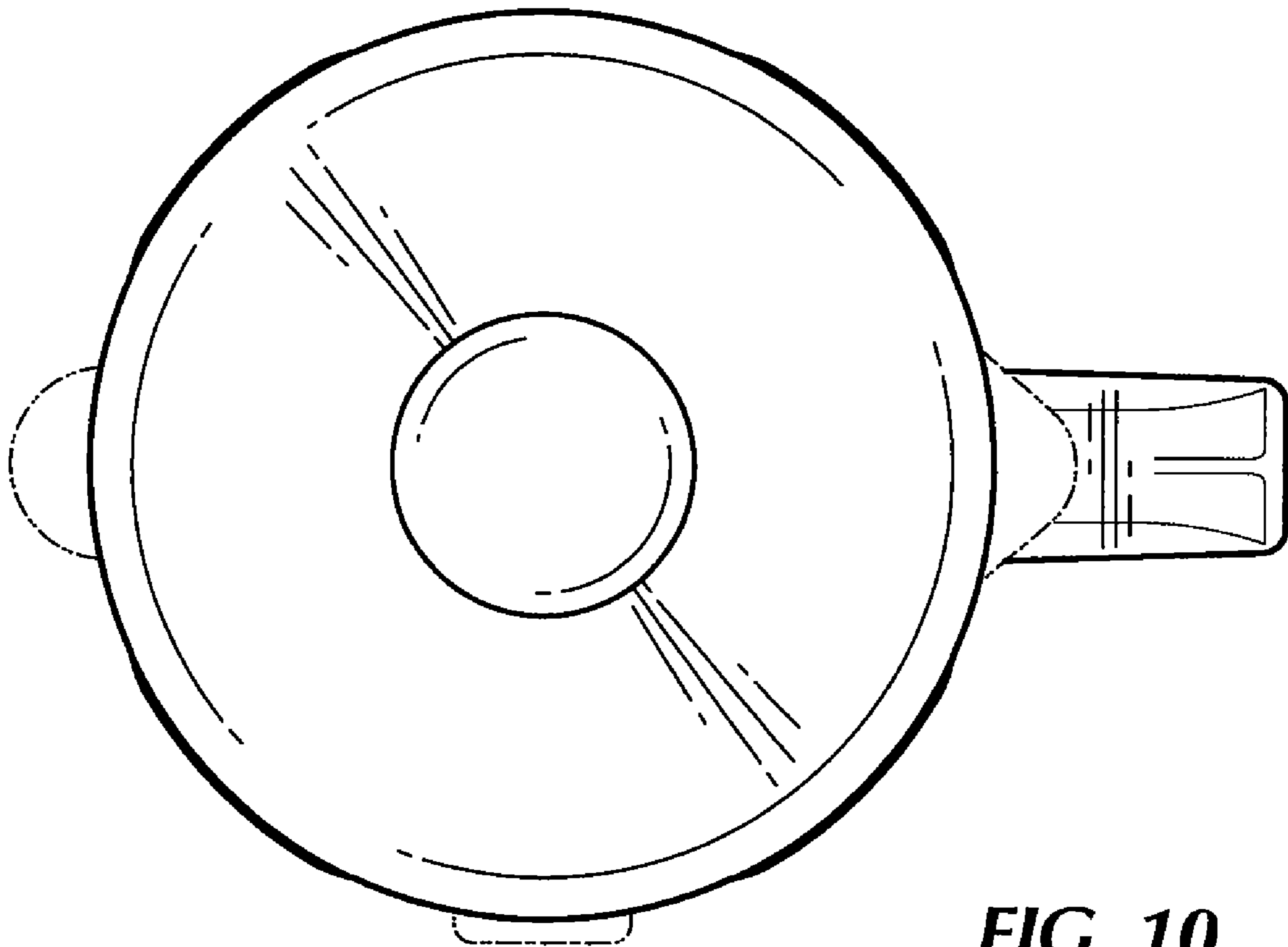


FIG. 10

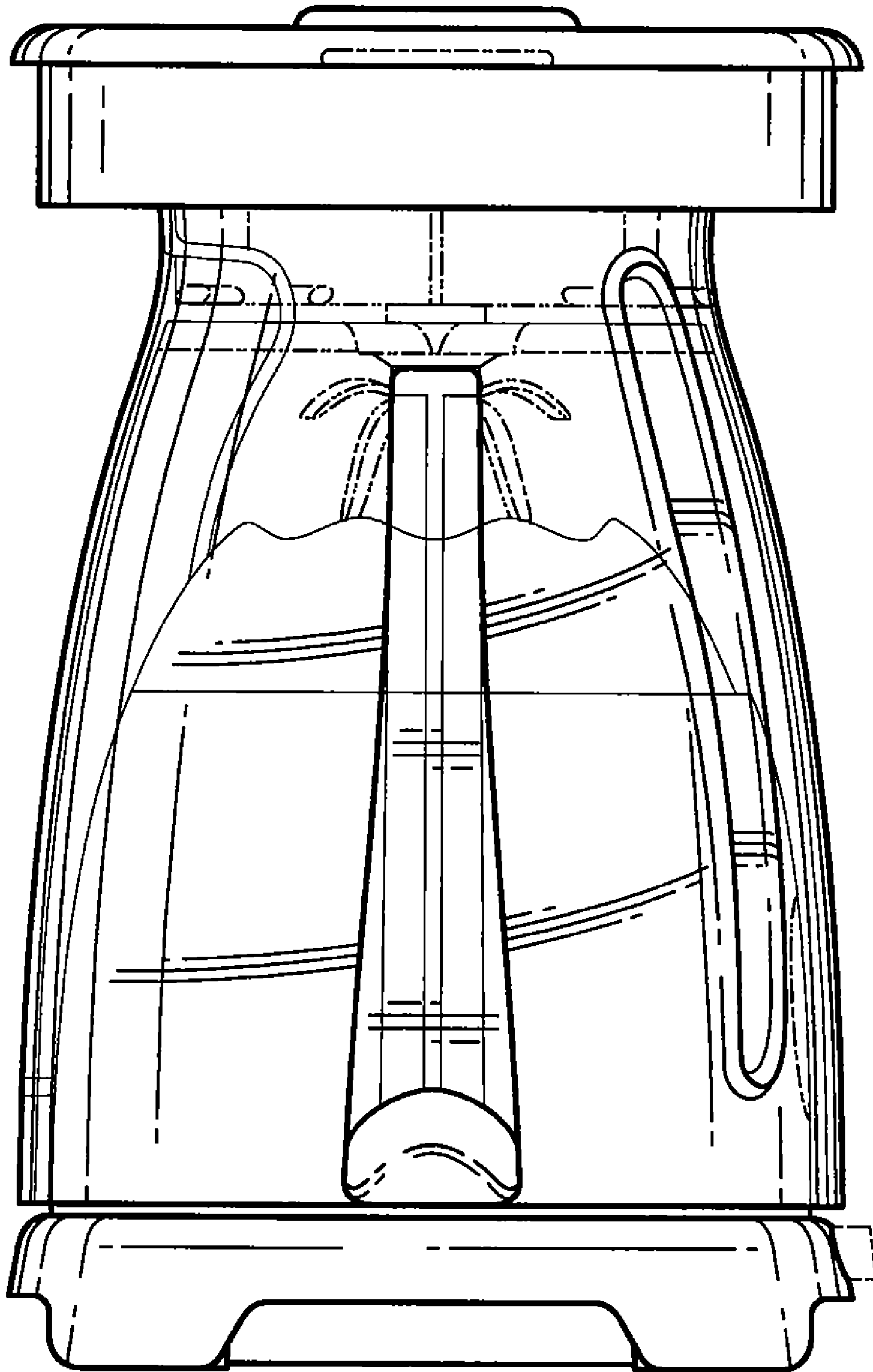


FIG. 11

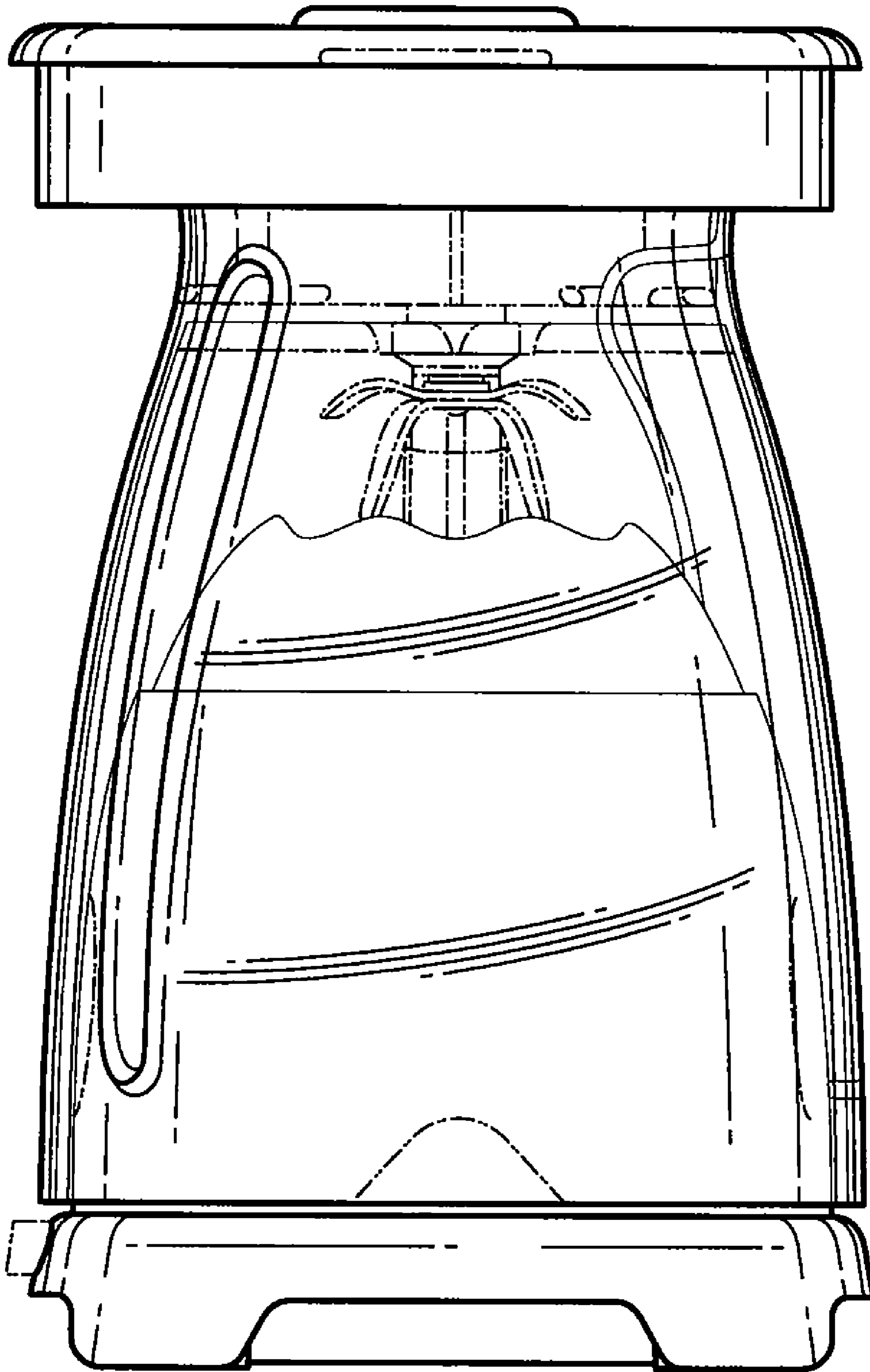


FIG. 12

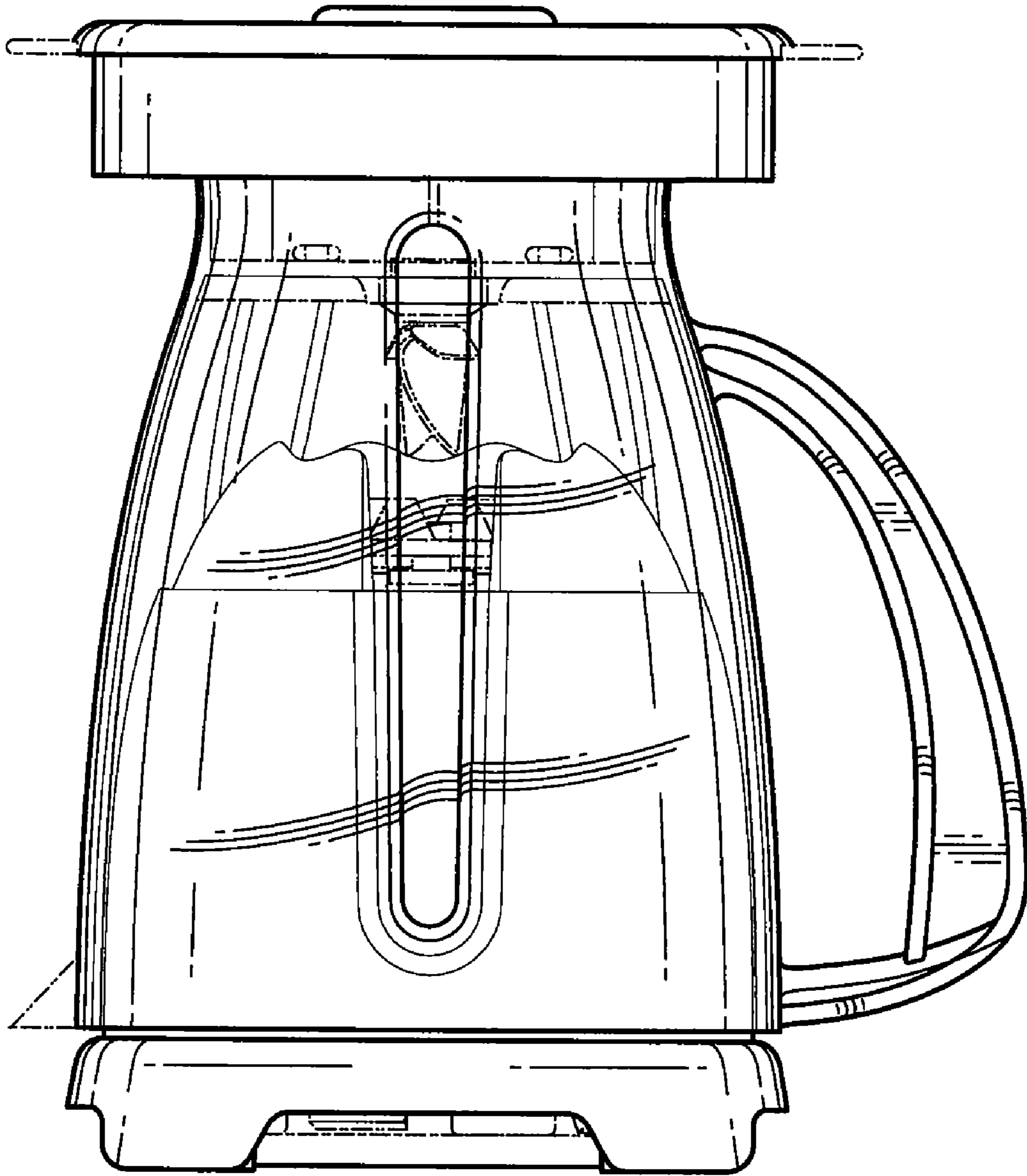


FIG. 13

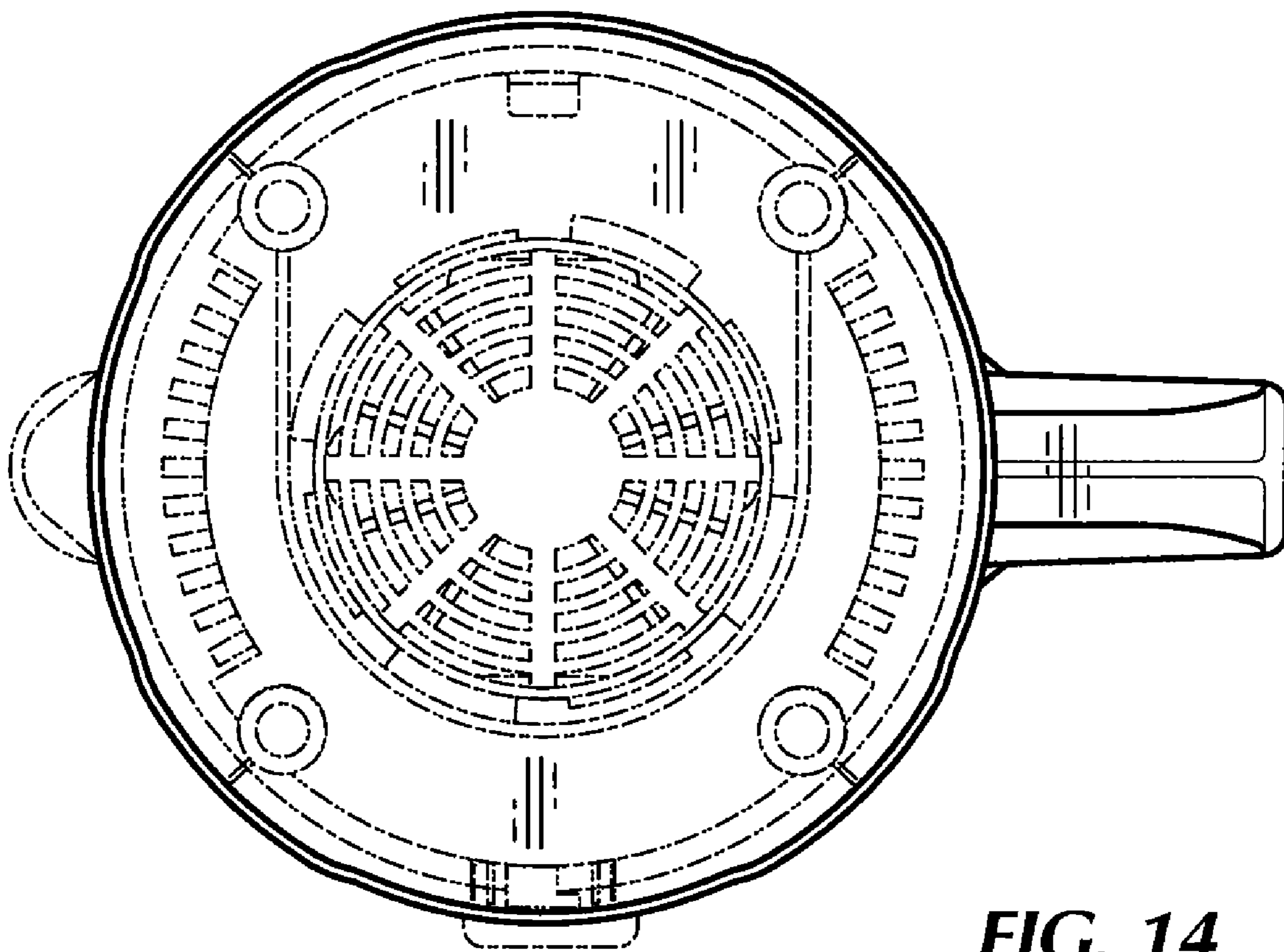


FIG. 14