



US00D554927S

(12) **United States Design Patent**
Smith

(10) **Patent No.:** **US D554,927 S**

(45) **Date of Patent:** **** Nov. 13, 2007**

(54) **RAILING PLANT POT HOLDER**

D406,978 S * 3/1999 Cox D6/566

(76) Inventor: **Jack K. Smith**, P.O. Box 327, Fowler,
CO (US) 81039

* cited by examiner

(**) Term: **14 Years**

Primary Examiner—Brian N Vinson

(74) *Attorney, Agent, or Firm*—G. F. Gallinger

(21) Appl. No.: **29/235,382**

(57) **CLAIM**

(22) Filed: **Aug. 2, 2005**

The ornamental design for a railing plant pot holder, as shown and described.

(51) **LOC (8) Cl.** **06-04**

(52) **U.S. Cl.** **D6/566; D6/513**

(58) **Field of Classification Search** D6/512–514,
D6/556, 558; 211/13.1, 71.01, 86.01, 87.01,
211/88.03, 106, 181.1; 248/200, 302, 304,
248/309.1, 311.2, 314

See application file for complete search history.

DESCRIPTION

FIG. 1 is a perspective view of a first embodiment of a railing plant pot holder showing my new design, the broken line disclosure of the iron railing on which it is positioned is for illustrative purposes only and forms no part of the claimed design.

(56) **References Cited**

U.S. PATENT DOCUMENTS

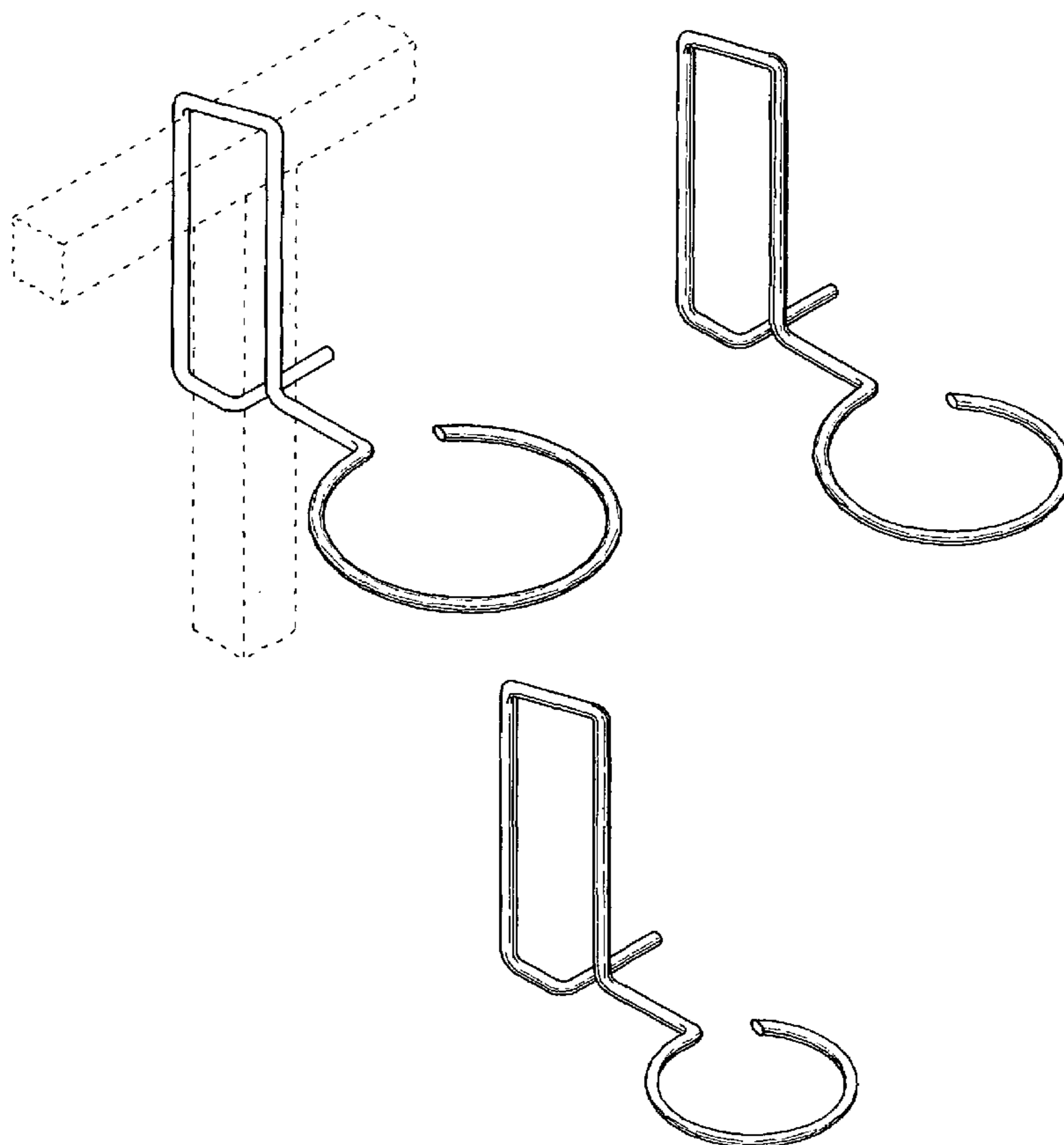
730,779	A	*	6/1903	Lacy	248/302
D258,330	S	*	2/1981	Bosley	D6/556
D266,382	S	*	10/1982	Hutchinson	D6/556
D271,831	S	*	12/1983	McGain	D6/566
D311,327	S	*	10/1990	Hughes	D6/566
D337,226	S	*	7/1993	Rosenbaum	D6/513
D338,122	S	*	8/1993	Emalfarb et al.	D6/513
D352,674	S	*	11/1994	Richards et al.	D6/566

FIG. 2 is a perspective view of a second embodiment thereof.

FIG. 3 is a perspective view of a third embodiment thereof; and,

FIG. 4 is a perspective view of a fourth embodiment thereof, the broken line disclosure of the 2"x4" board railing on which it is positioned is for illustrative purposes only and forms no part of the claimed design.

1 Claim, 1 Drawing Sheet



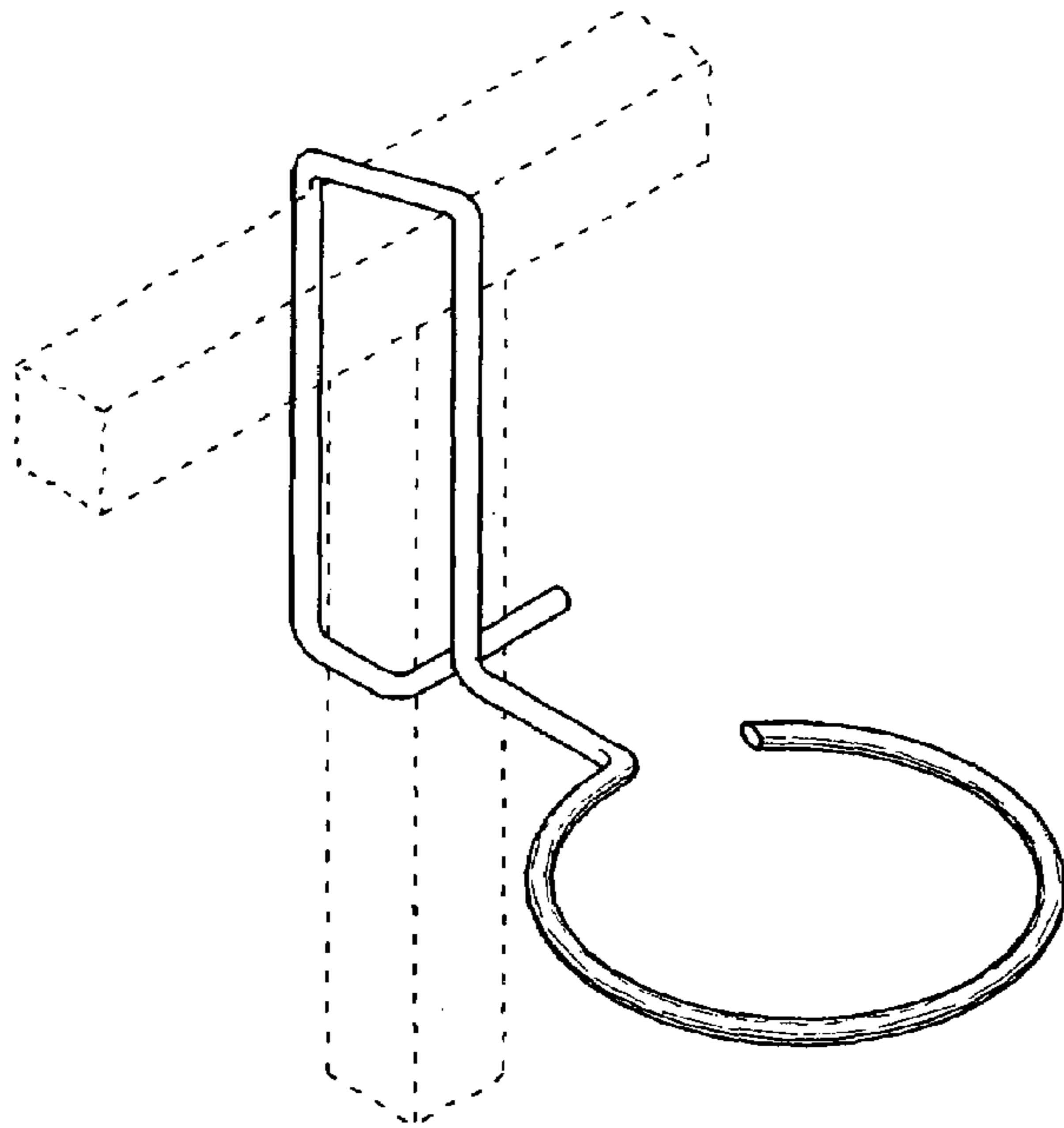


FIG. 1

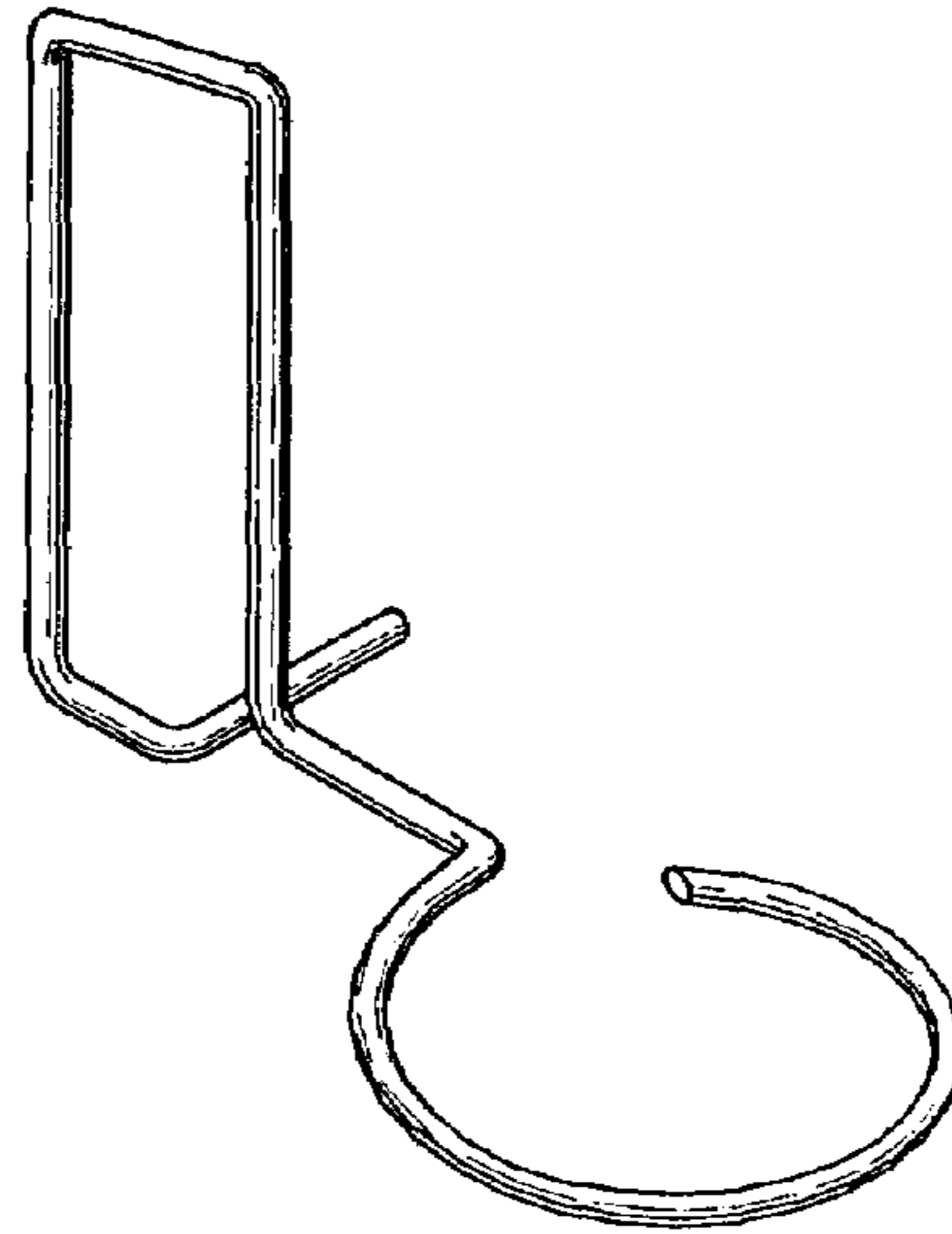


FIG. 2

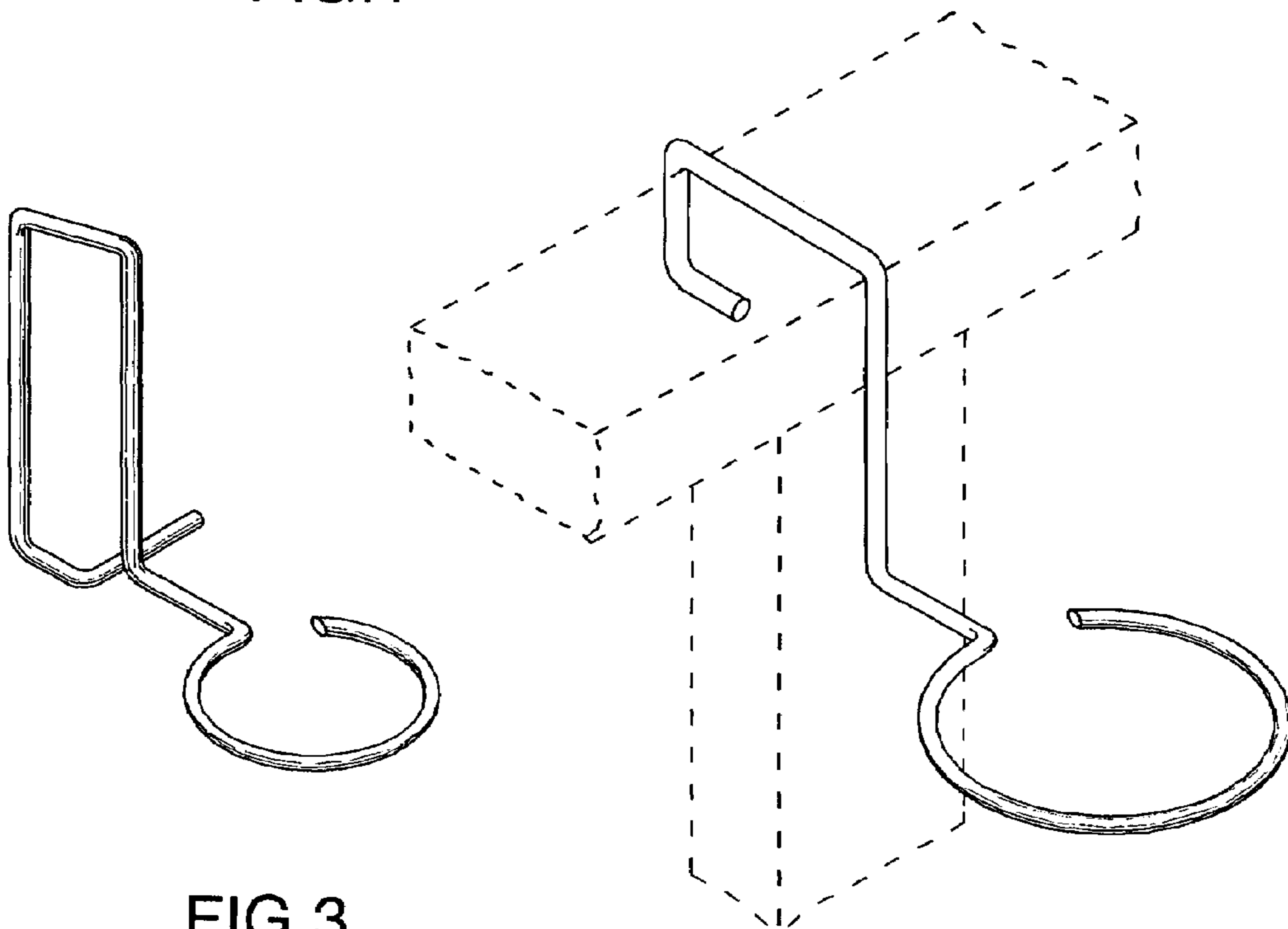


FIG. 3

FIG. 4