



US00D554924S

(12) **United States Design Patent**
Agnevik et al.

(10) **Patent No.:** **US D554,924 S**

(45) **Date of Patent:** **** Nov. 13, 2007**

(54) **HOLDER FOR WASTEPAPER BAGS**

(75) Inventors: **Ola Agnevik**, Stockholm (SE); **Tuomas Aulin**, Stockholm (SE)

(73) Assignee: **Polynova Nissan AB**, Stockholm (SE)

(**) Term: **14 Years**

(21) Appl. No.: **29/257,890**

(22) Filed: **Apr. 13, 2006**

(51) **LOC (8) Cl.** **20-02**

(52) **U.S. Cl.** **D6/515**

(58) **Field of Classification Search** D6/515-519;
206/425, 554; 221/26, 33, 45, 282, 284;
222/92, 105, 173, 180, 181.1, 181.2
See application file for complete search history.

(56) **References Cited**

U.S. PATENT DOCUMENTS

4,623,073	A	*	11/1986	Hansen	221/45
D347,134	S	*	5/1994	Bruggeman	D6/515
D366,583	S	*	1/1996	Scaife	D6/515
D419,804	S	*	2/2000	Reitman	D6/517

* cited by examiner

Primary Examiner—Brian N Vinson

(74) *Attorney, Agent, or Firm*—Harness, Dickey & Pierce, P.L.C.

(57) **CLAIM**

The ornamental design for a holder for wastepaper bags, as shown.

DESCRIPTION

FIG. 1 is a front, top and right side perspective view of a holder for wastepaper bags showing our new design;

FIG. 2 is a back, bottom and left side perspective view thereof;

FIG. 3 is a front elevational view thereof;

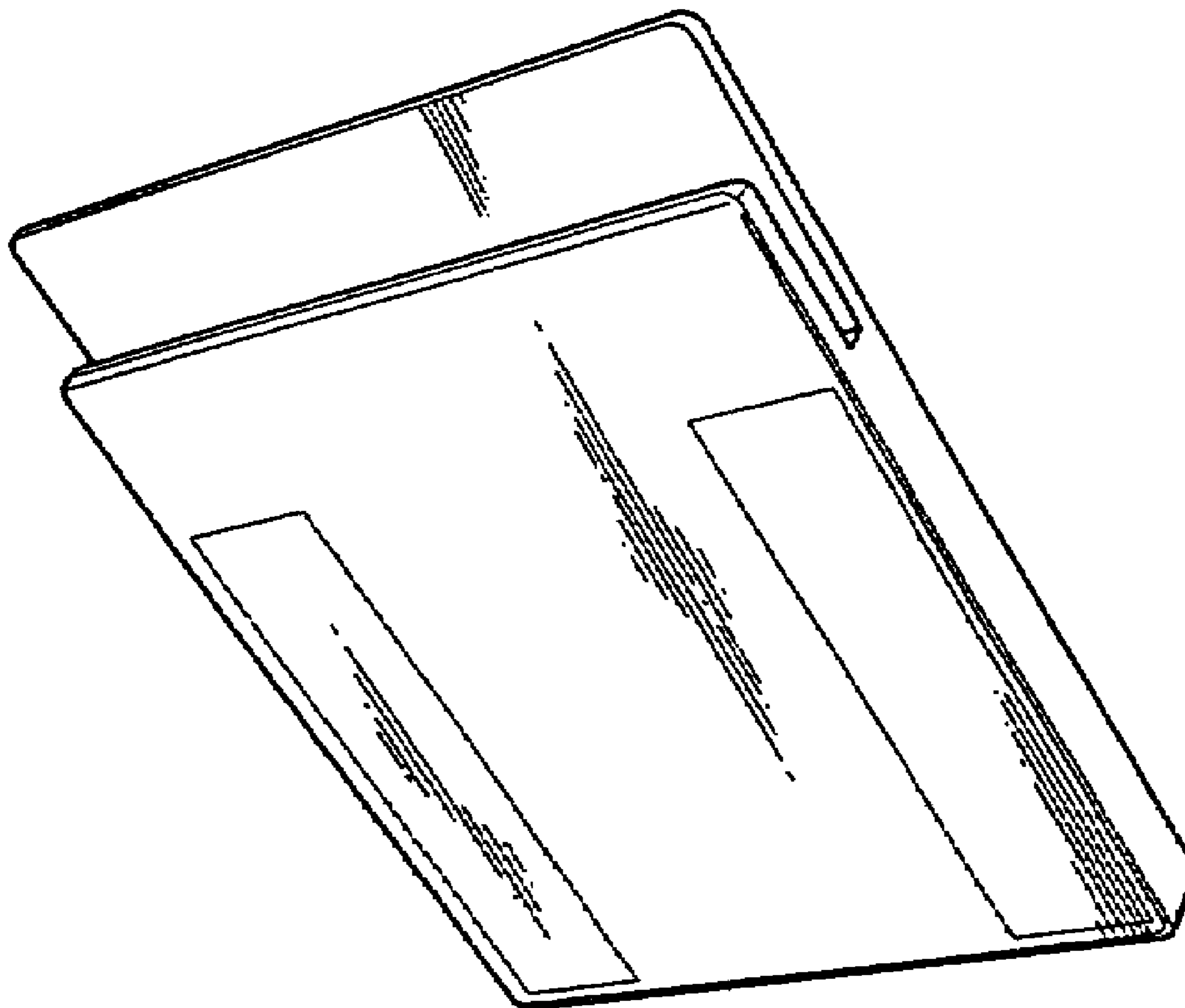
FIG. 4 is a right side elevational view thereof;

FIG. 5 is a top plan view thereof;

FIG. 6 is a back side elevational view thereof; and,

FIG. 7 is a bottom plan view thereof.

1 Claim, 3 Drawing Sheets



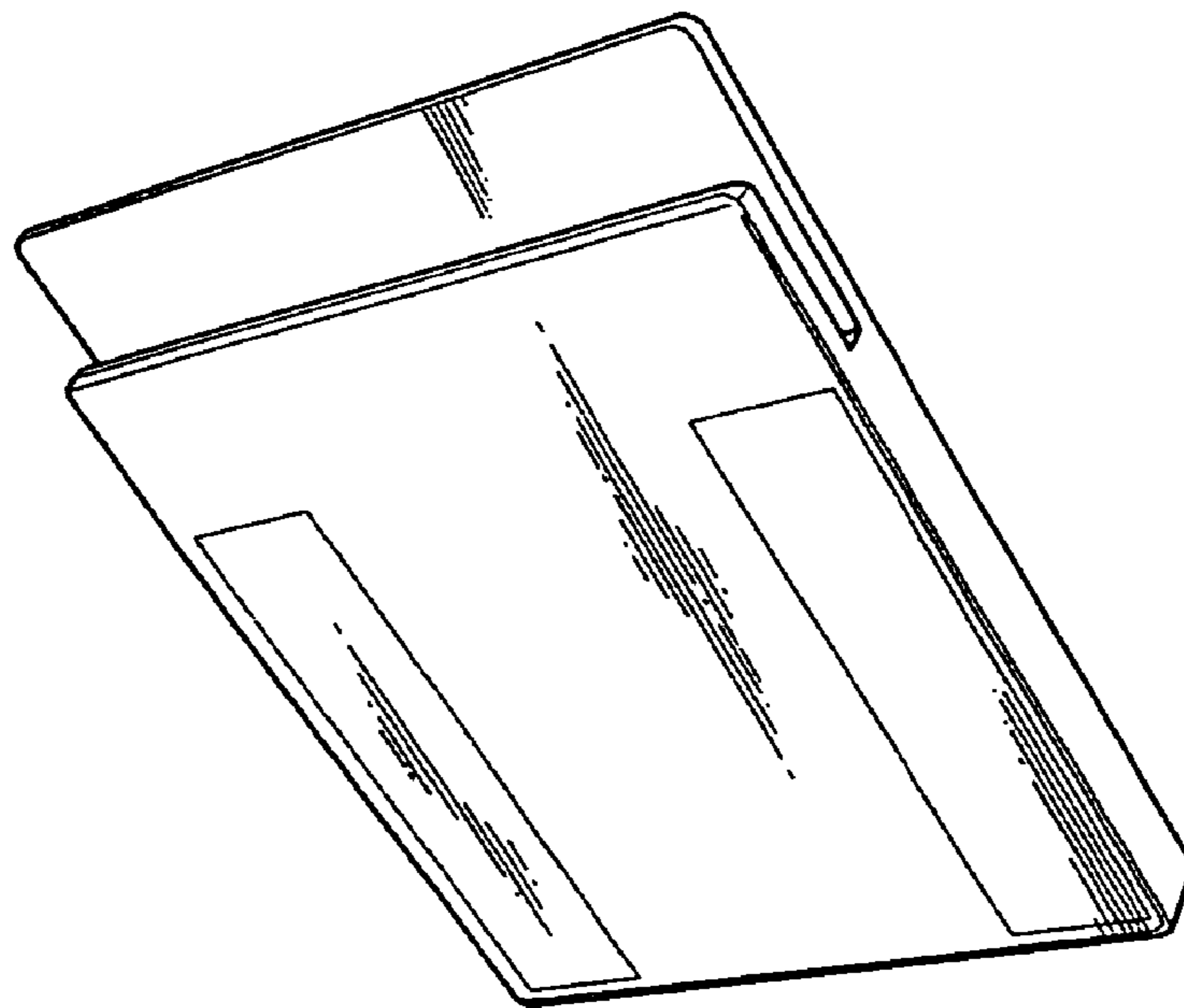


FIG. 1

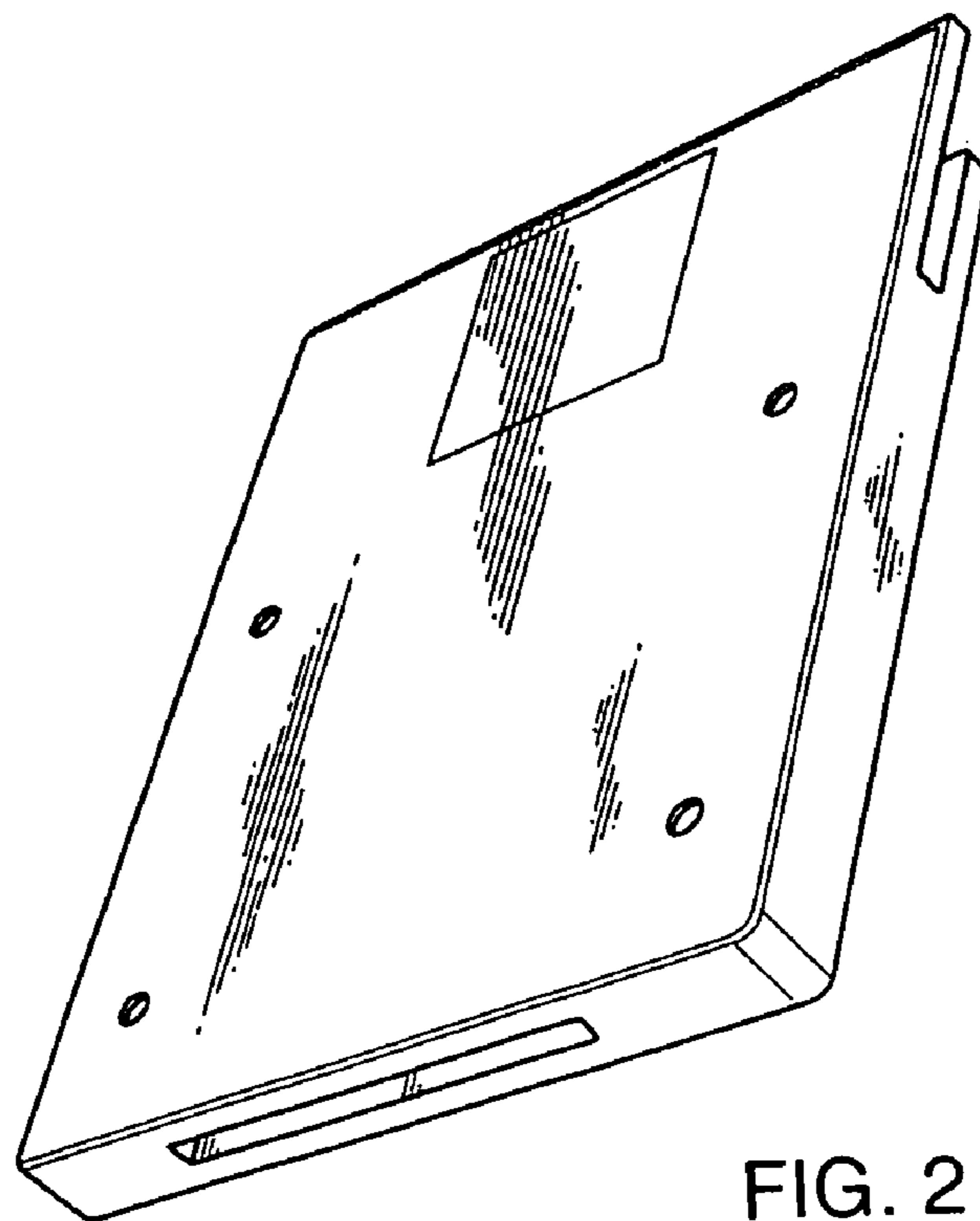


FIG. 2

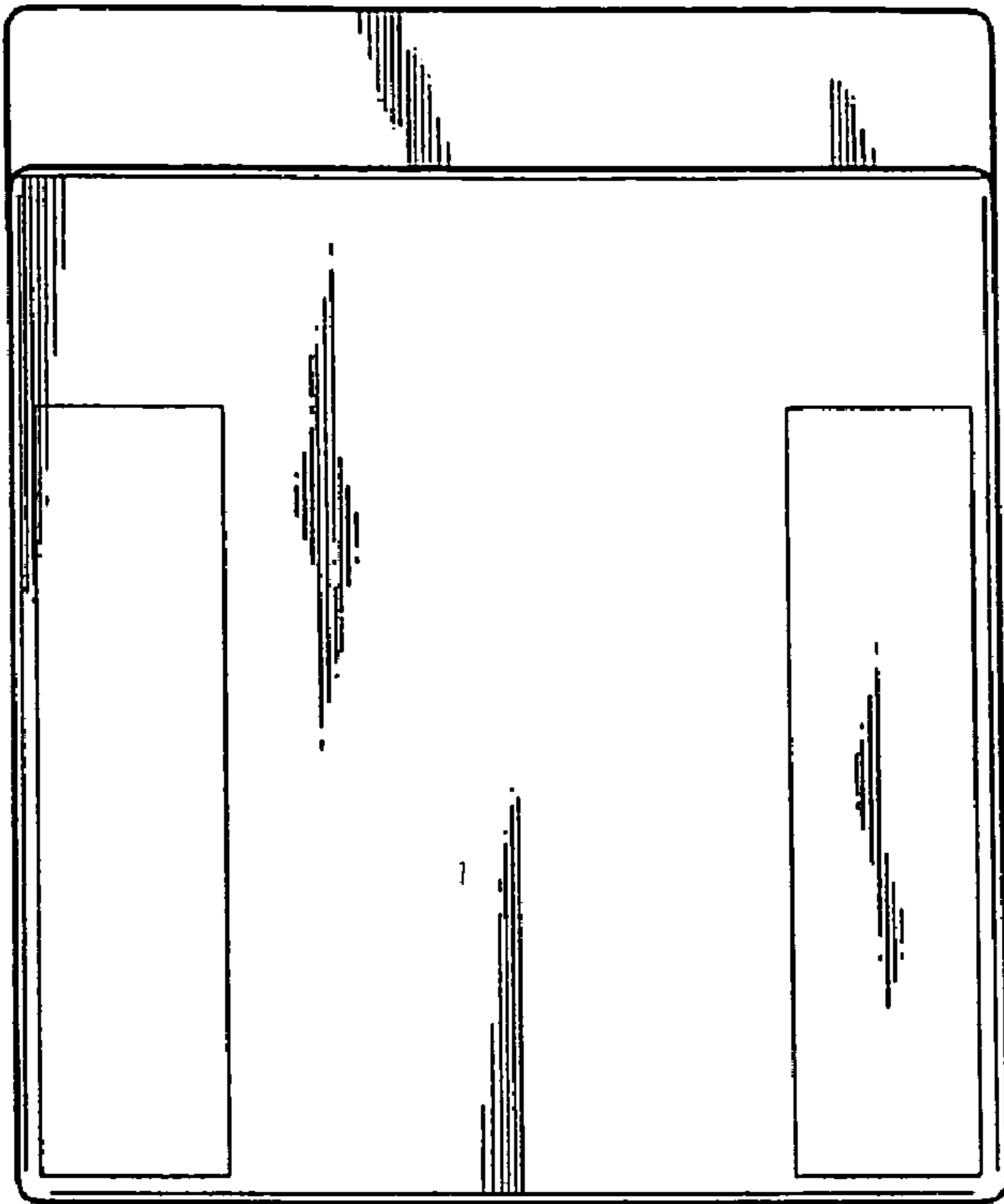


FIG. 3

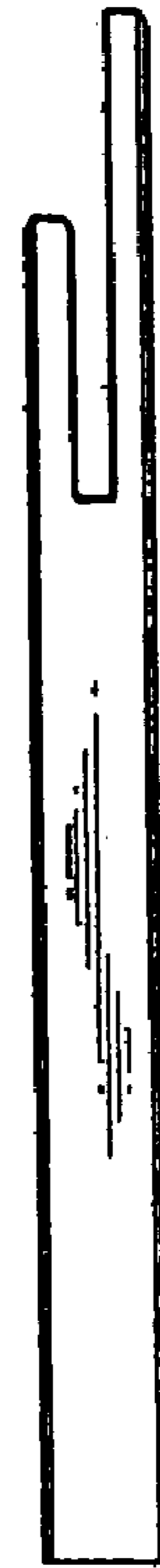


FIG. 4

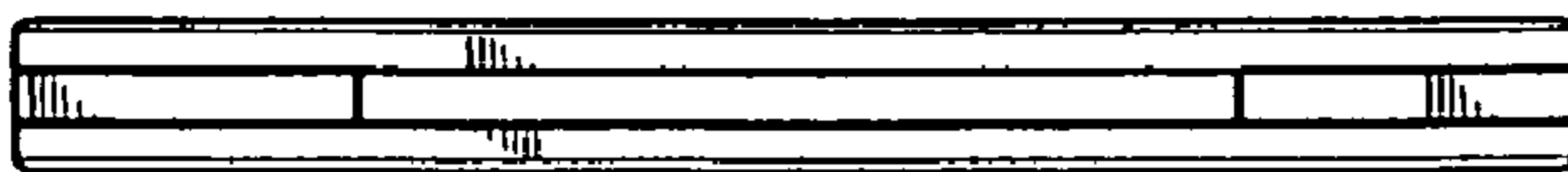


FIG. 5

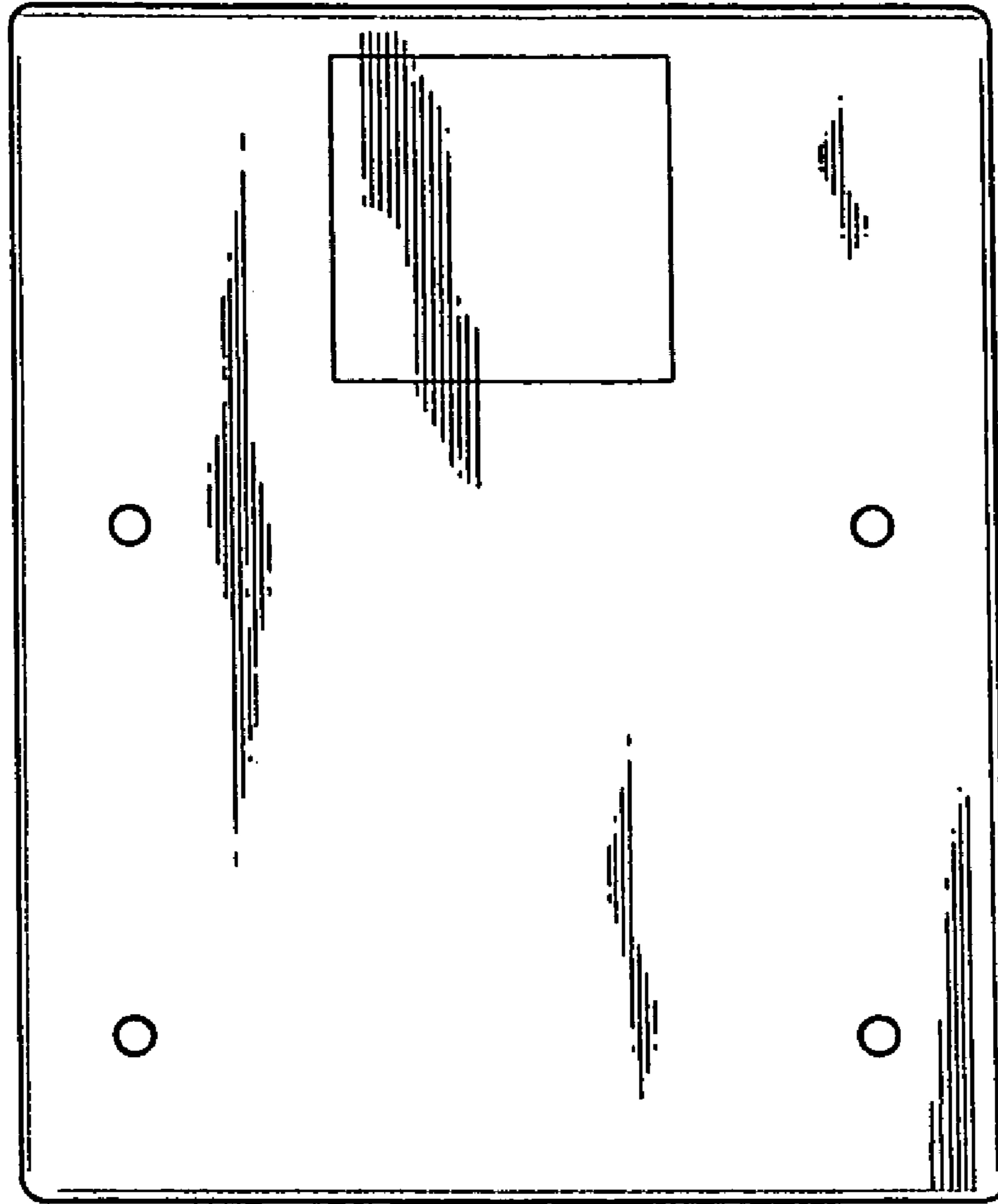


FIG. 6

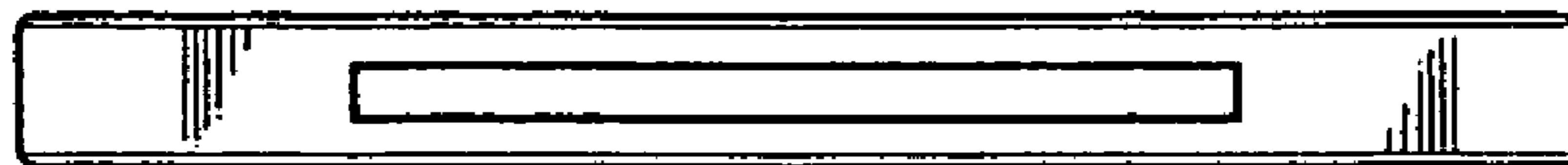


FIG. 7

UNITED STATES PATENT AND TRADEMARK OFFICE
CERTIFICATE OF CORRECTION

PATENT NO. : Des. 554,924 S
APPLICATION NO. : 29/257890
DATED : November 13, 2007
INVENTOR(S) : Ola Agnevik and Tuomas Aulinen

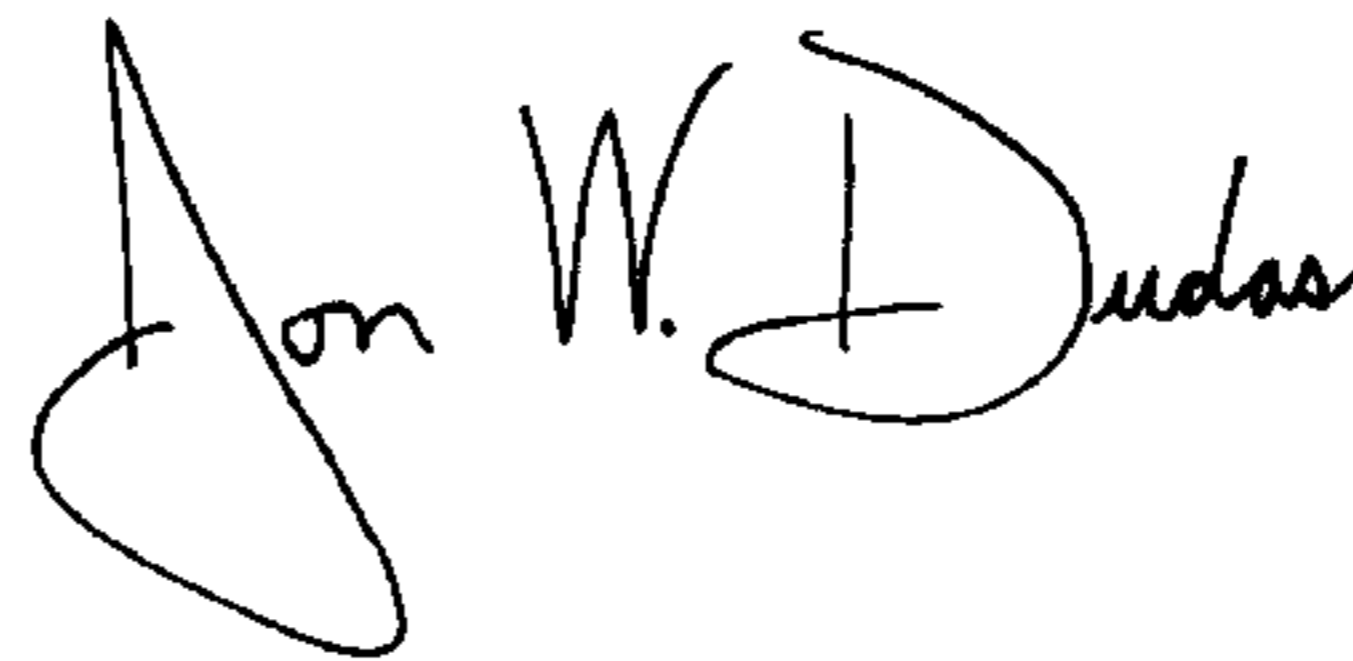
Page 1 of 1

It is certified that error appears in the above-identified patent and that said Letters Patent is hereby corrected as shown below:

On the Title Page, Item (73) Assignee should read
-- (73) Assignee: **Polynova Nissen AB**, Stockholm (SE) --.

Signed and Sealed this

Sixth Day of May, 2008

A handwritten signature in black ink that reads "Jon W. Dudas". The signature is written in a cursive style with a large, looped initial "J".

JON W. DUDAS

Director of the United States Patent and Trademark Office