



US00D554922S

(12) **United States Design Patent**
Chvojcek et al.

(10) **Patent No.:** **US D554,922 S**

(45) **Date of Patent:** **** Nov. 13, 2007**

(54) **STENOGRAPHIC TABLETOP**

D482,038 S * 11/2003 Gustafsson D14/447

(75) Inventors: **Frank Chvojcek**, West Dundee, IL
(US); **Dennis Kras**, Des Plaines, IL
(US)

* cited by examiner

Primary Examiner—Janice E. Seeger

(73) Assignee: **Stenograph LLC**, Mount Prospect, IL
(US)

(74) *Attorney, Agent, or Firm*—Wood, Phillips, Katz, Clark
& Mortimer

(**) Term: **14 Years**

(57) **CLAIM**

(21) Appl. No.: **29/241,120**

The ornamental design for a stenographic tabletop, as shown
and described.

(22) Filed: **Oct. 24, 2005**

DESCRIPTION

(51) **LOC (8) Cl.** **06-06**

FIG. 1 is a rear, top and left side perspective view of our
design for a stenographic tabletop;

(52) **U.S. Cl.** **D6/511**

FIG. 2 is a top plan view thereof;

(58) **Field of Classification Search** D6/480–489,
D6/400, 511, 406.5, 406.2, 429–431; D19/52,
D19/86; D18/20; D14/447, 458; 108/44,
108/65, 70, 166, 167

FIG. 3 is a bottom view thereof;

FIG. 4 is a rear elevation view thereof;

See application file for complete search history.

FIG. 5 is a front elevation view thereof;

FIG. 6 is a right side elevation view thereof;

(56) **References Cited**

U.S. PATENT DOCUMENTS

- 4,359,004 A * 11/1982 Chappell 108/44
- 4,524,701 A * 6/1985 Chappell 108/44
- D295,348 S * 4/1988 Muller D6/406.2
- D367,387 S * 2/1996 Sweere D6/511
- D398,294 S * 9/1998 Wilson D14/458
- 5,953,999 A * 9/1999 Kanehl 108/44

FIG. 7 is a left side elevation view thereof; and,

FIG. 8 is a view as in FIG. 1 wherein an extension on the
tabletop is repositioned to a stored state.

The portion of the stenographic tabletop shown in dotted
lines does not constitute a part of the claimed design.

1 Claim, 5 Drawing Sheets

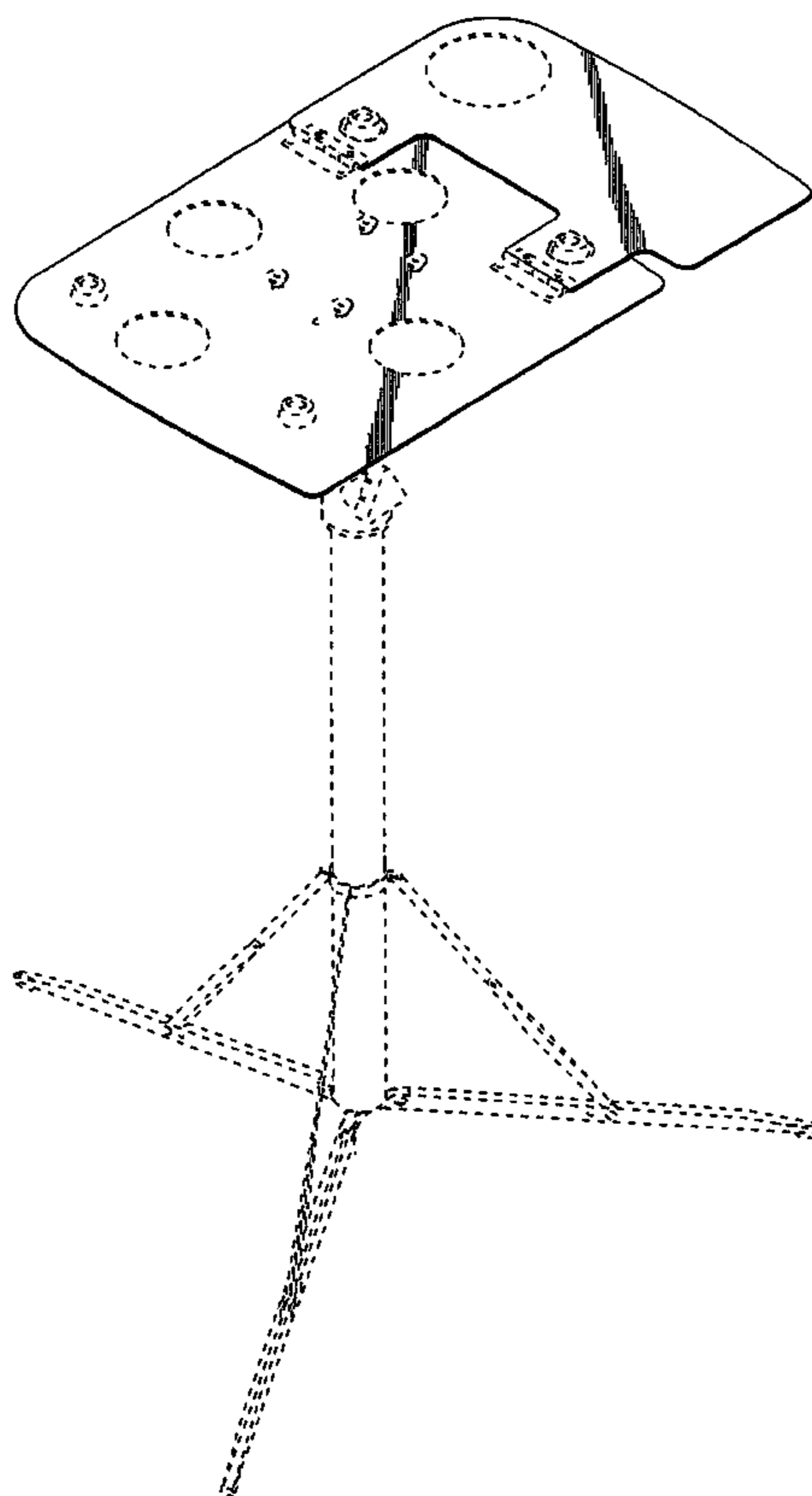


Fig. 1

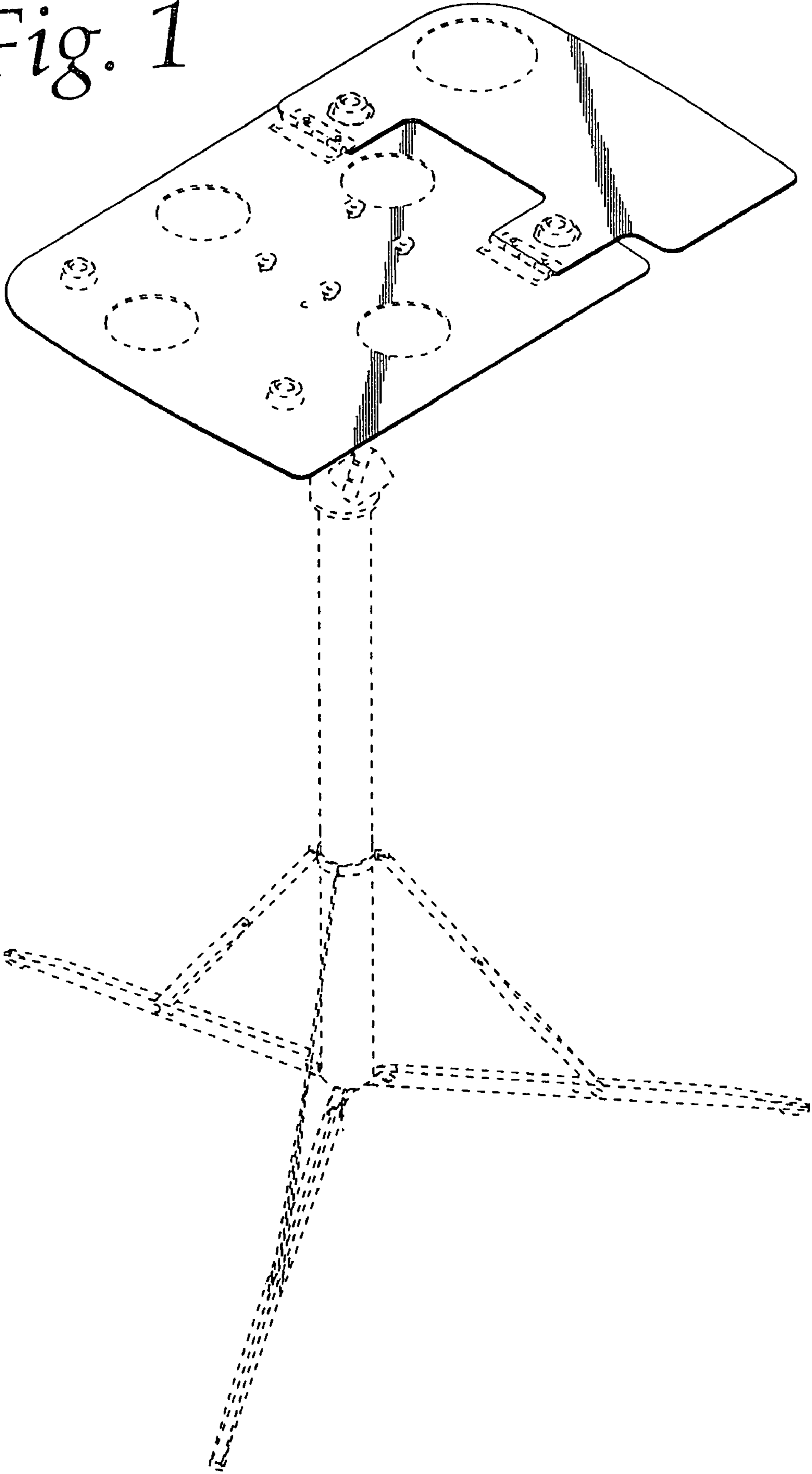


Fig. 2

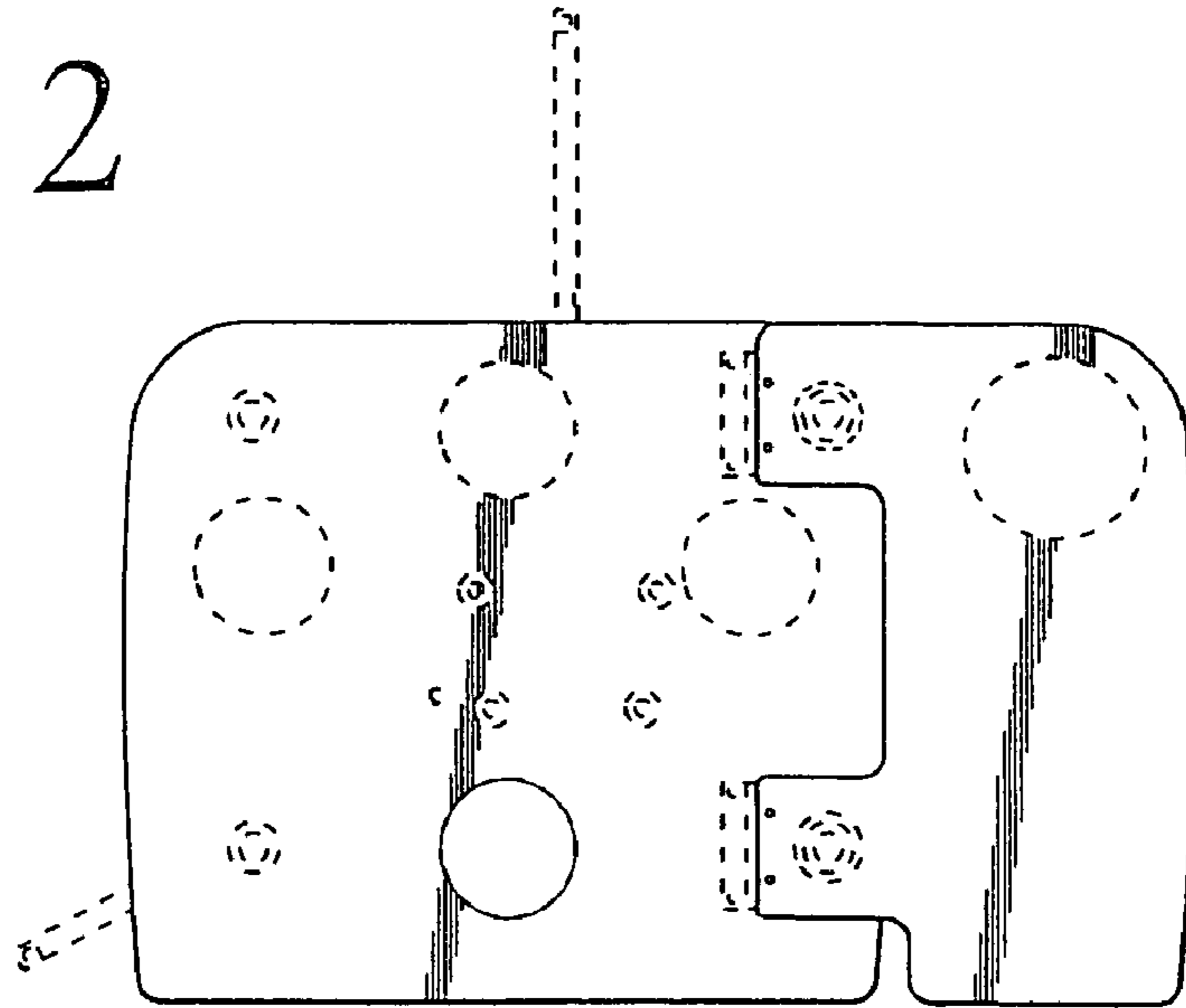


Fig. 3

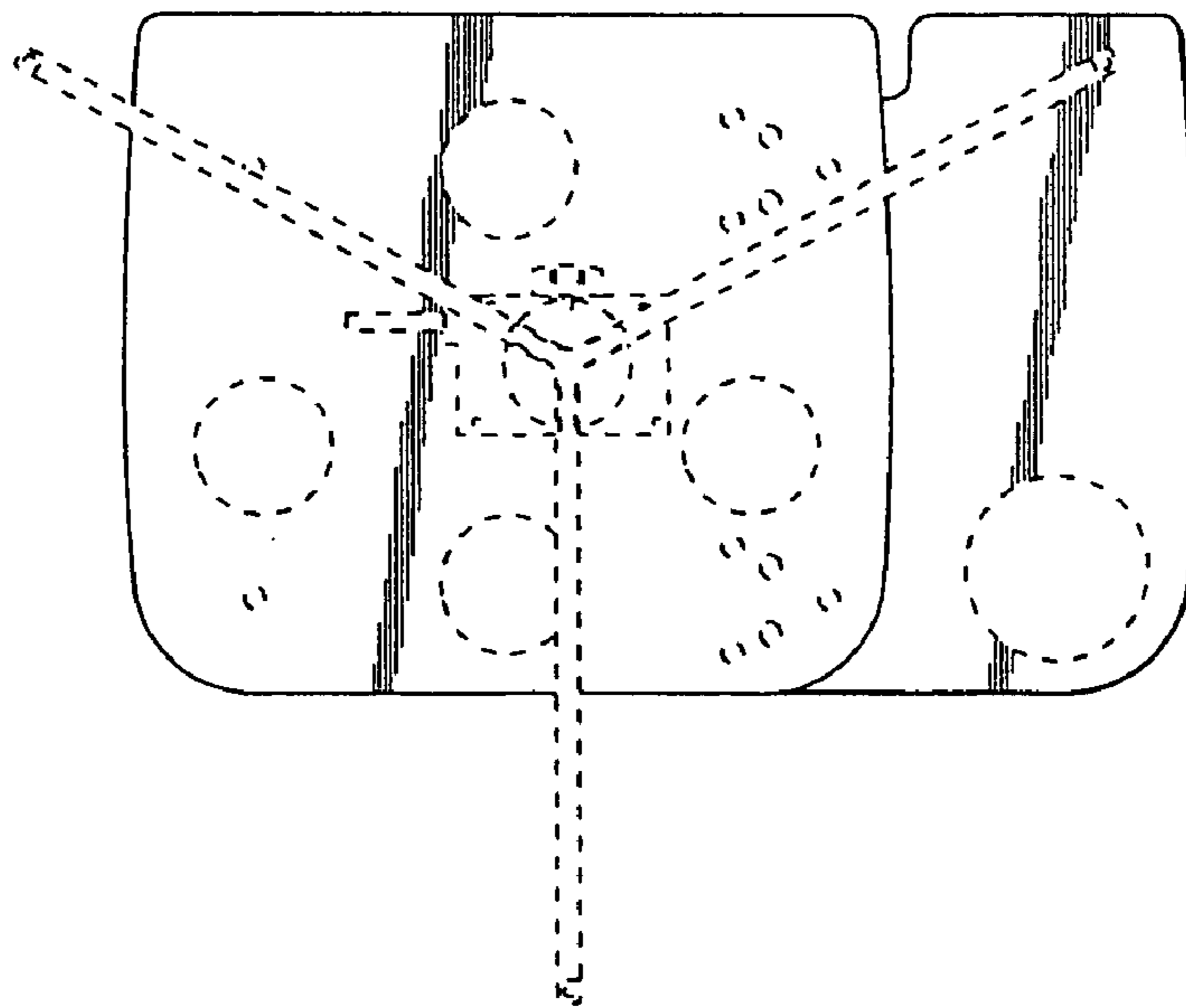


Fig. 4

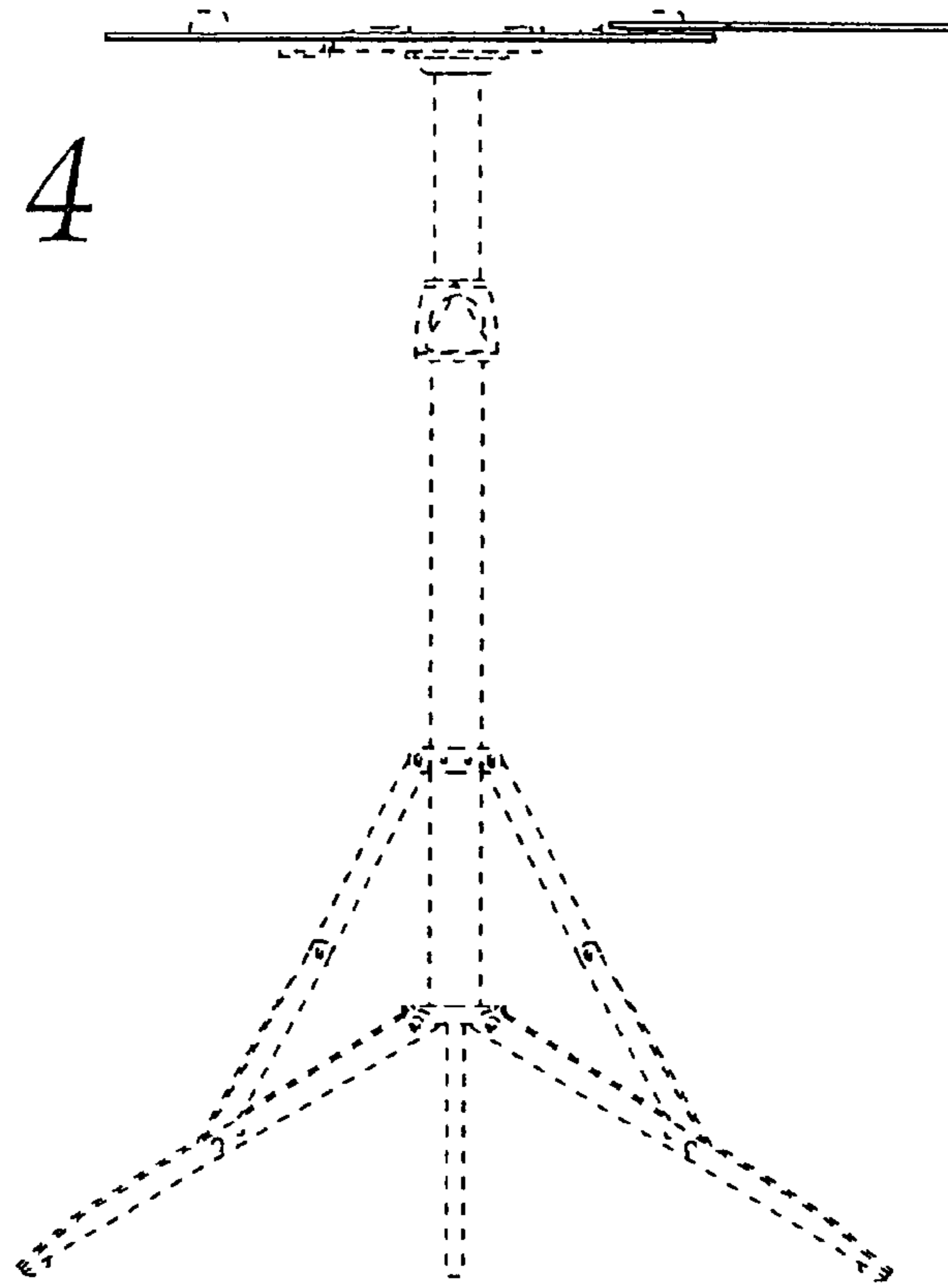


Fig. 5

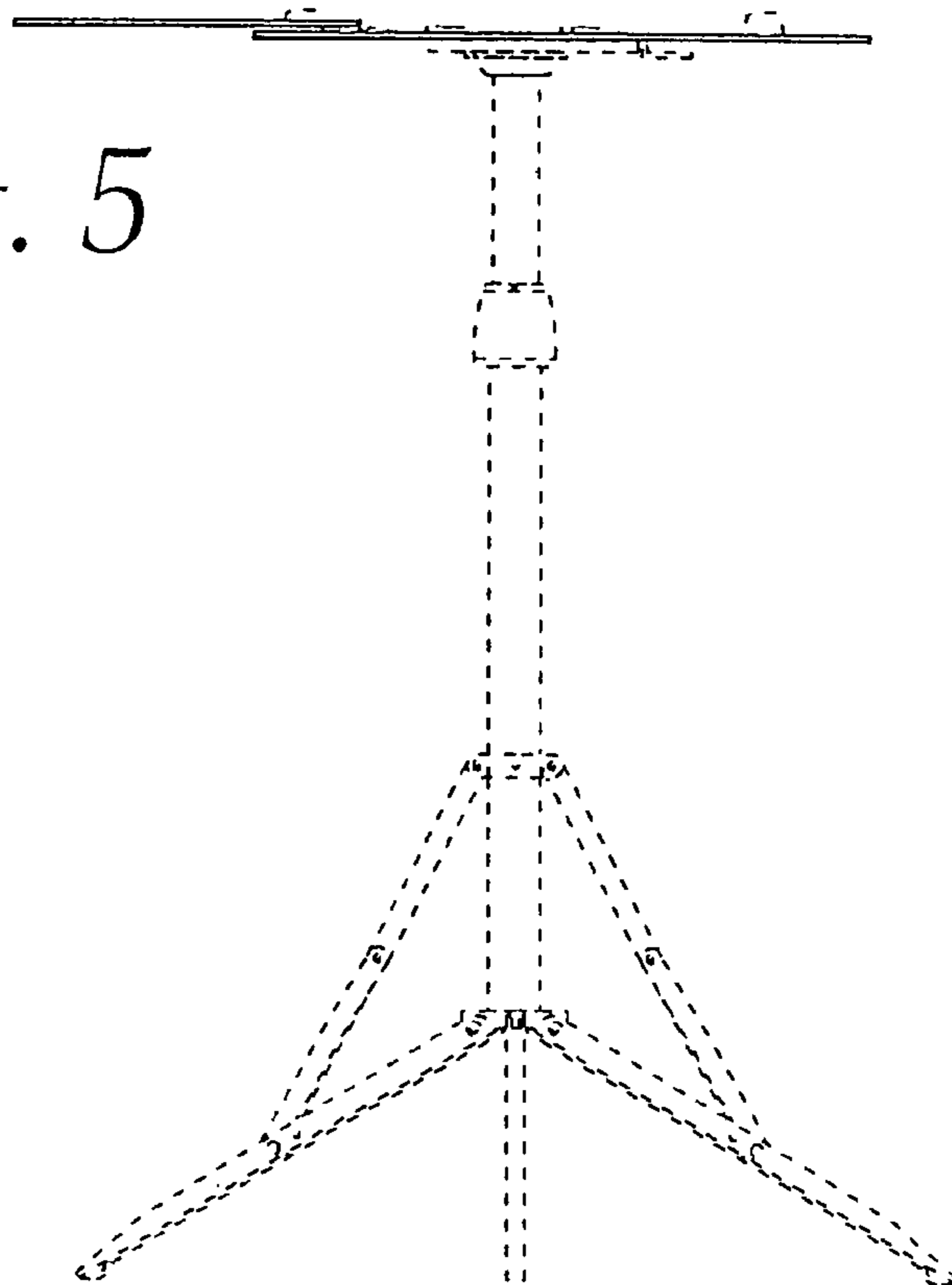


Fig. 6

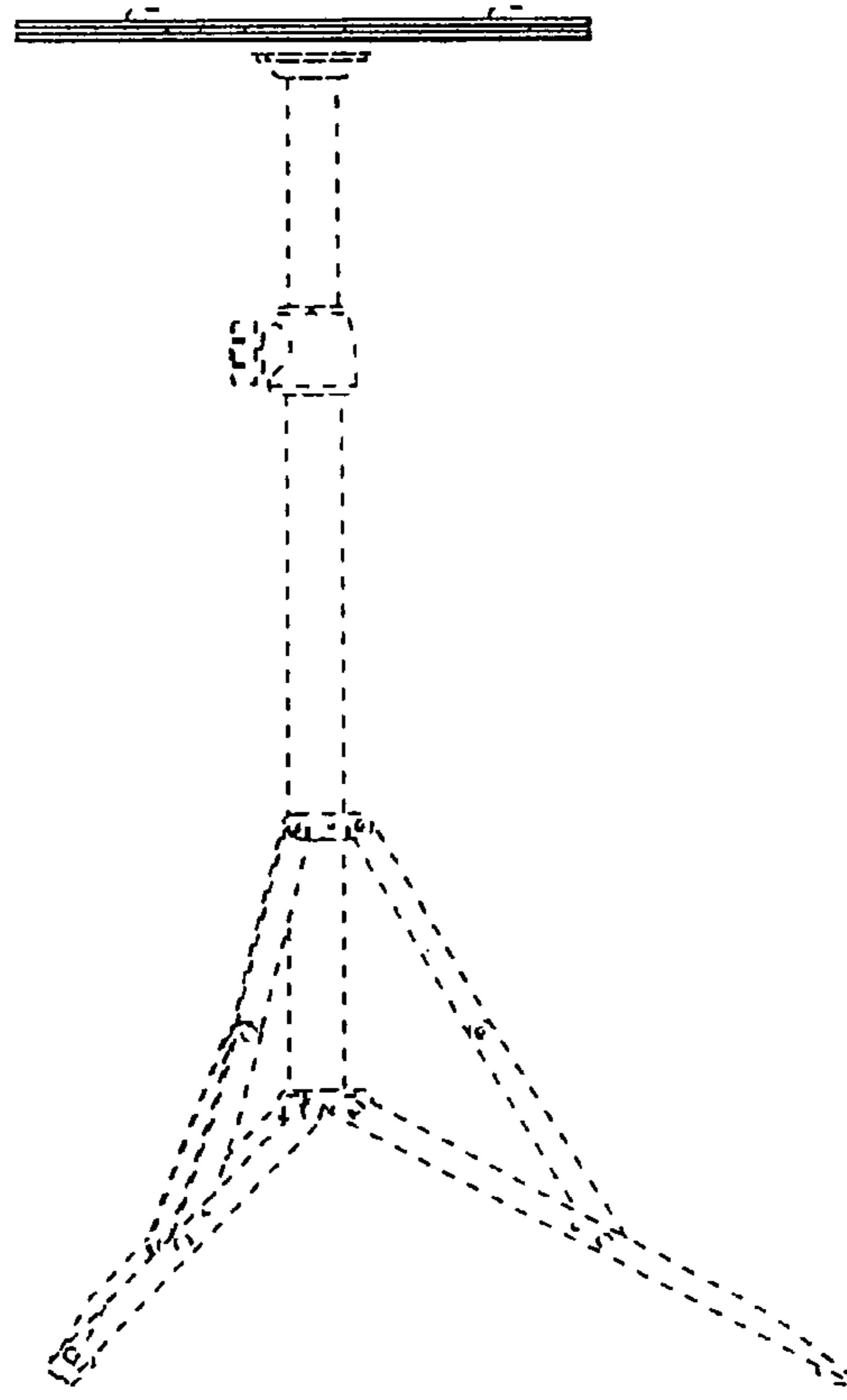


Fig. 7

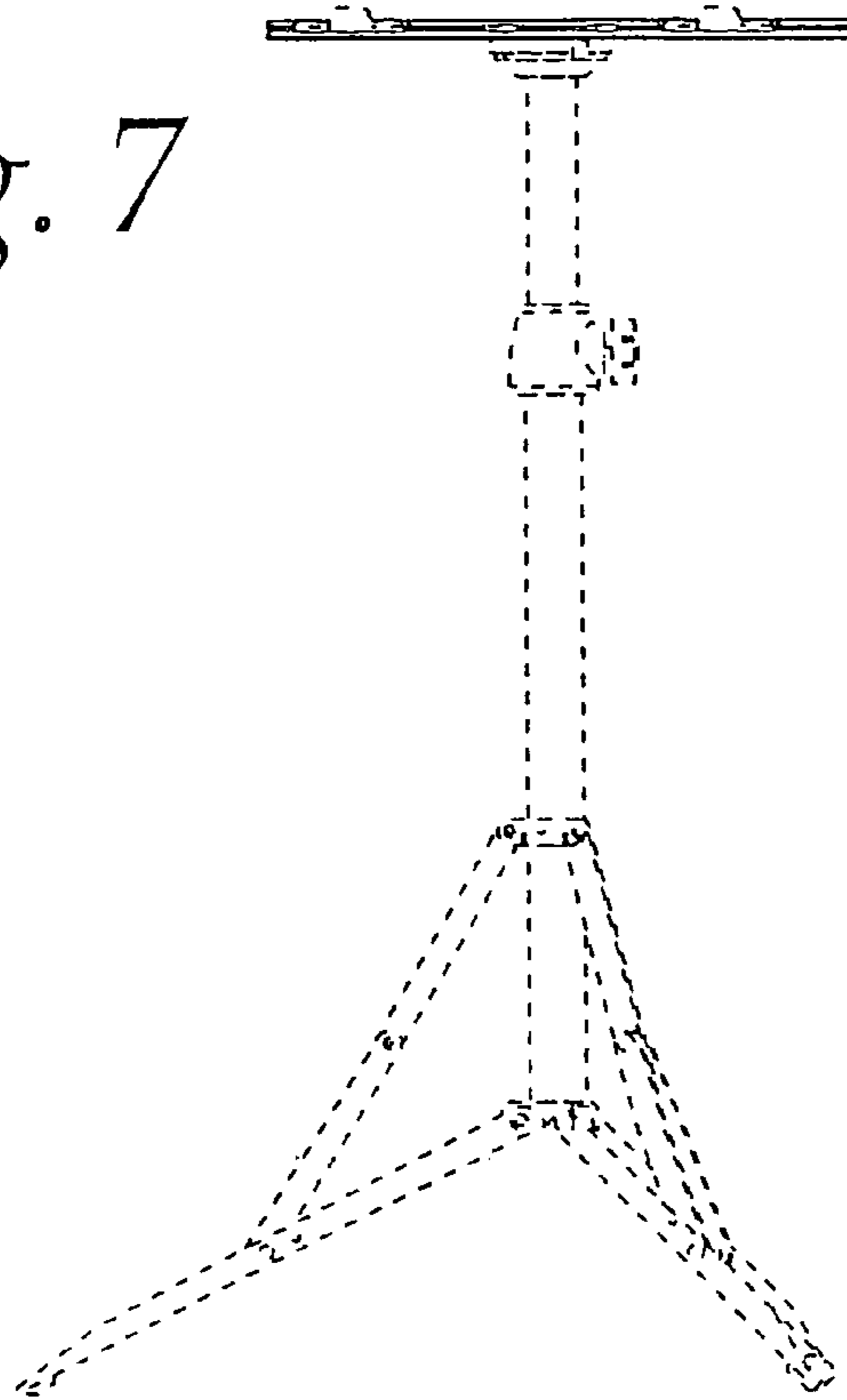


Fig. 8

