



US00D554921S

(12) **United States Design Patent**
Gordon et al.

(10) **Patent No.: US D554,921 S**

(45) **Date of Patent: ** *Nov. 13, 2007**

(54) **OPHTHALMIC WORKSTATION**
(76) Inventors: **Ryan Michael Gordon**, 2135
Massachusetts, Lawrence, KS (US)
66046; **Michael Duane Gordon**, 10225
E. 71st S., Derby, KS (US) 67037

(*) Notice: This patent is subject to a terminal disclaimer.

(**) Term: **14 Years**

(21) Appl. No.: **29/236,113**

(22) Filed: **Aug. 11, 2005**

(51) **LOC (8) Cl.** **06-06**

(52) **U.S. Cl.** **D6/511; D6/482**

(58) **Field of Classification Search** D6/480-489,
D6/511, 338, 339, 406.1, 427; 108/50.01,
108/50.02, 150, 153.1, 155, 156, 157.1, 161;
351/245

See application file for complete search history.

(56) **References Cited**

U.S. PATENT DOCUMENTS

874,179 A	12/1907	Langley	
893,232 A	7/1908	Forth	
978,299 A	12/1910	Jacobs	
1,494,666 A	5/1924	Clement	
1,625,075 A	4/1927	Clement	
1,701,258 A	2/1929	Clement	
2,149,141 A	2/1939	Hunsicker	
D124,010 S	* 12/1940	Bargen D6/511
D161,995 S	* 2/1951	Bargen D6/511
3,647,287 A	3/1972	Schwind	
4,237,796 A	12/1980	Gordon et al.	
D276,109 S	10/1984	Gordon	
D280,681 S	* 9/1985	Rowland D6/338
4,600,175 A	7/1986	Bell	

4,643,547 A	2/1987	Collins	
4,753,527 A	6/1988	Ishihara	
5,444,504 A	8/1995	Kobayashi	
D377,734 S	* 2/1997	Bird et al. D7/402
5,696,574 A	12/1997	Schwaegerle	
5,717,480 A	2/1998	Brooks	
5,777,344 A	7/1998	Hayashi	
D403,904 S	1/1999	Machael	
D409,860 S	* 5/1999	Best D6/487
5,907,387 A	5/1999	Schwaegerle	
D411,926 S	7/1999	Brown	
D415,375 S	10/1999	McCrackin	
6,045,225 A	4/2000	Hosoi	
D423,828 S	5/2000	Wilkinson	
D429,101 S	* 8/2000	Smith et al. D6/511
6,575,575 B2	6/2003	O'Brien	
6,712,470 B2	3/2004	O'Brien	

* cited by examiner

Primary Examiner—Janice E. Seeger

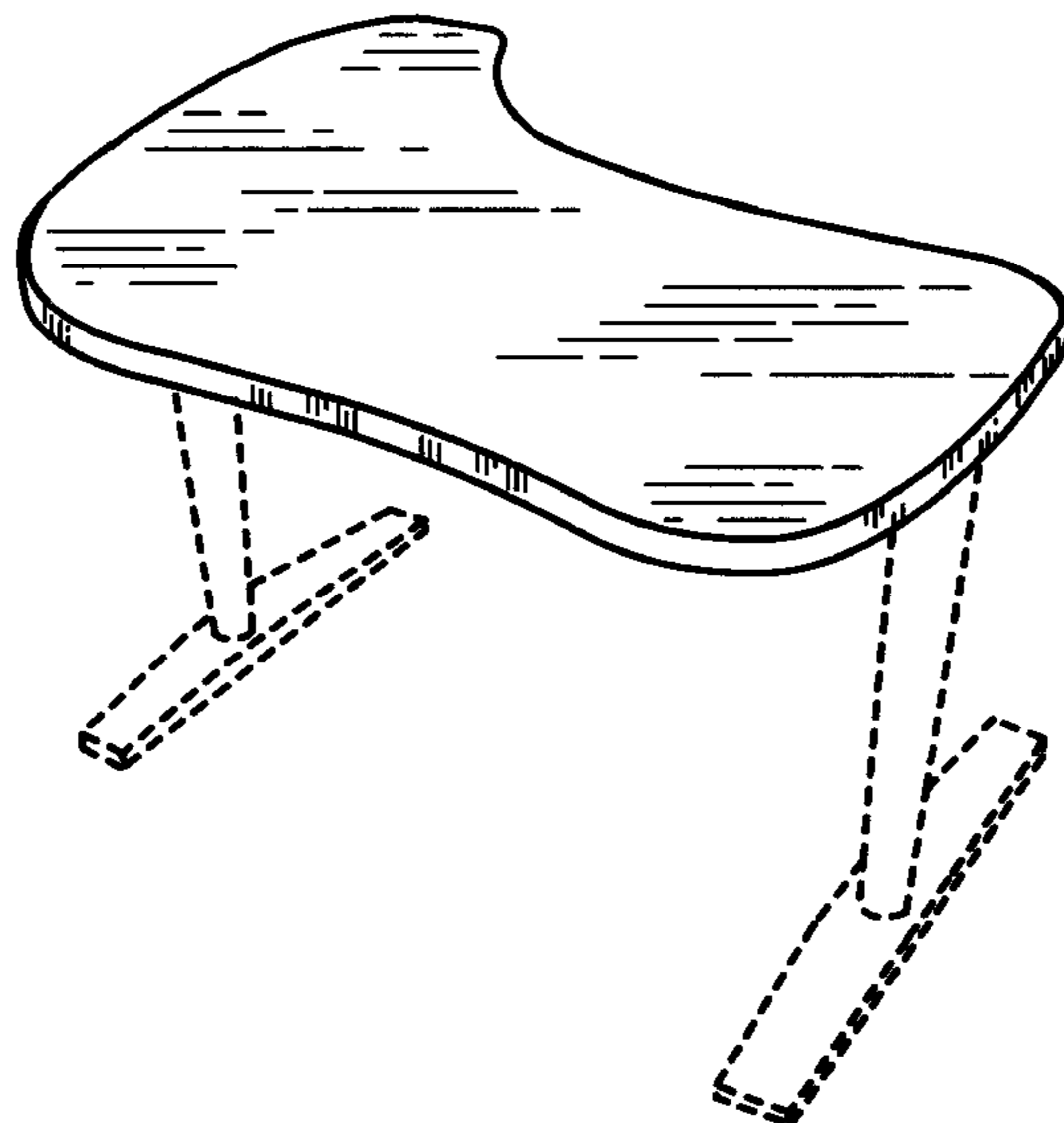
(57) **CLAIM**

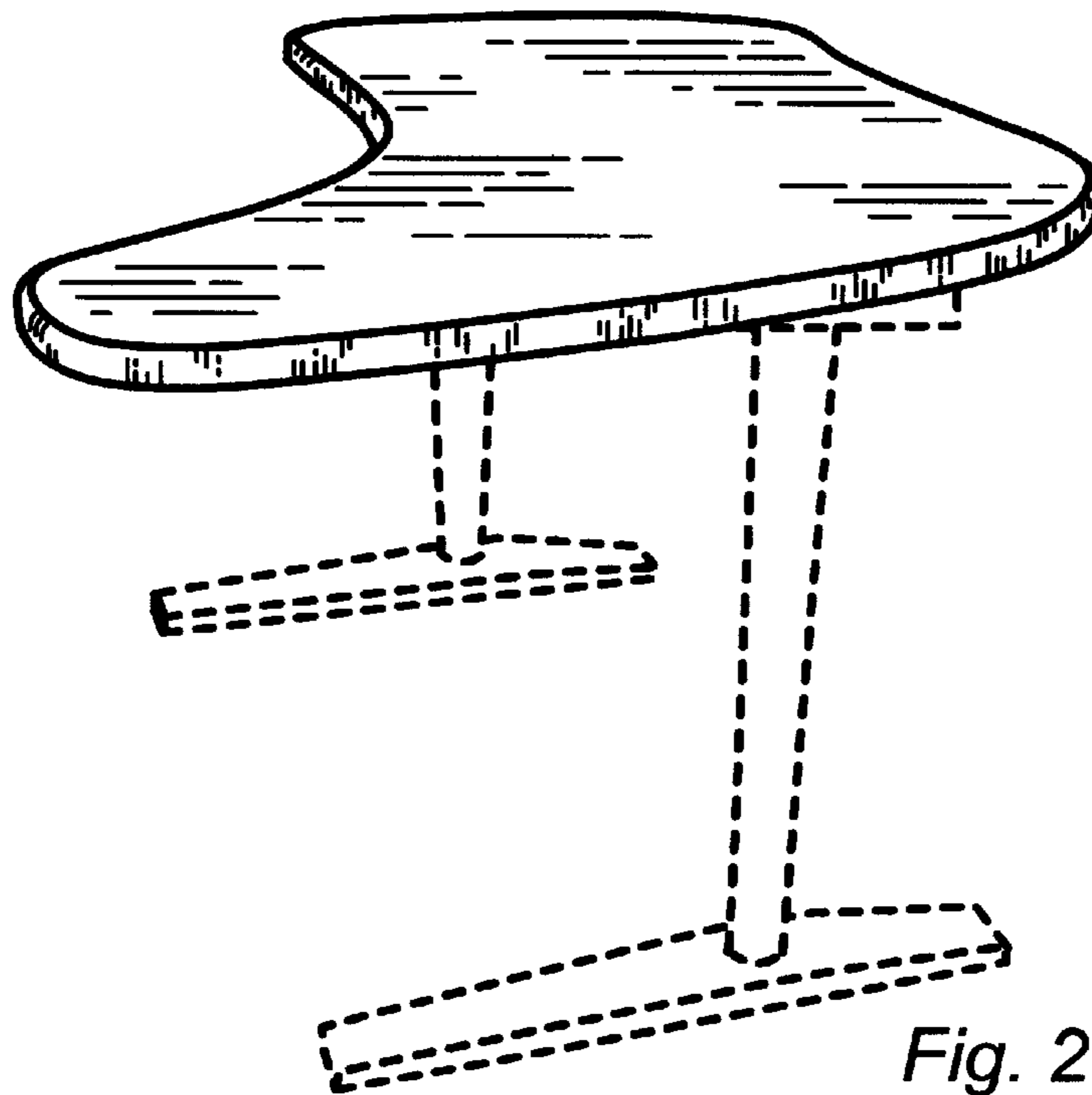
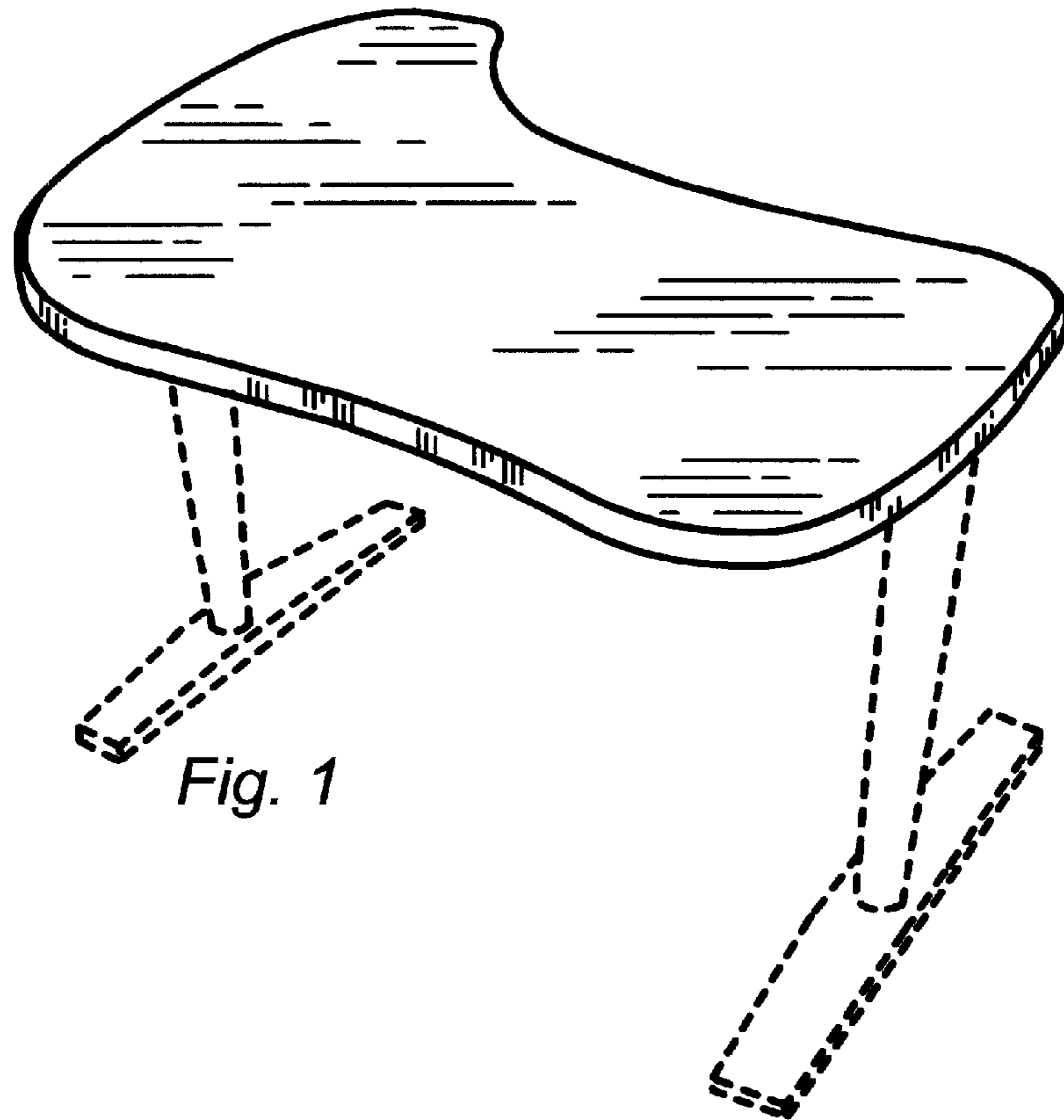
The ornamental design for an ophthalmic workstation, as shown and described.

DESCRIPTION

FIG. 1 is a perspective view of an ophthalmic workstation, showing our new design; FIG. 2 is a left side perspective view thereof; and FIG. 3 is a top plan view thereof; and FIG. 4 is a bottom plan view thereof; and FIG. 5 is a front side perspective view thereof; and FIG. 6 is a back side perspective view thereof; and FIG. 7 is a left side elevation view thereof; and, FIG. 8 is a right side elevation view thereof. The broken line disclosure in the views is for illustrative purposes only and forms no part of the claimed design.

1 Claim, 4 Drawing Sheets





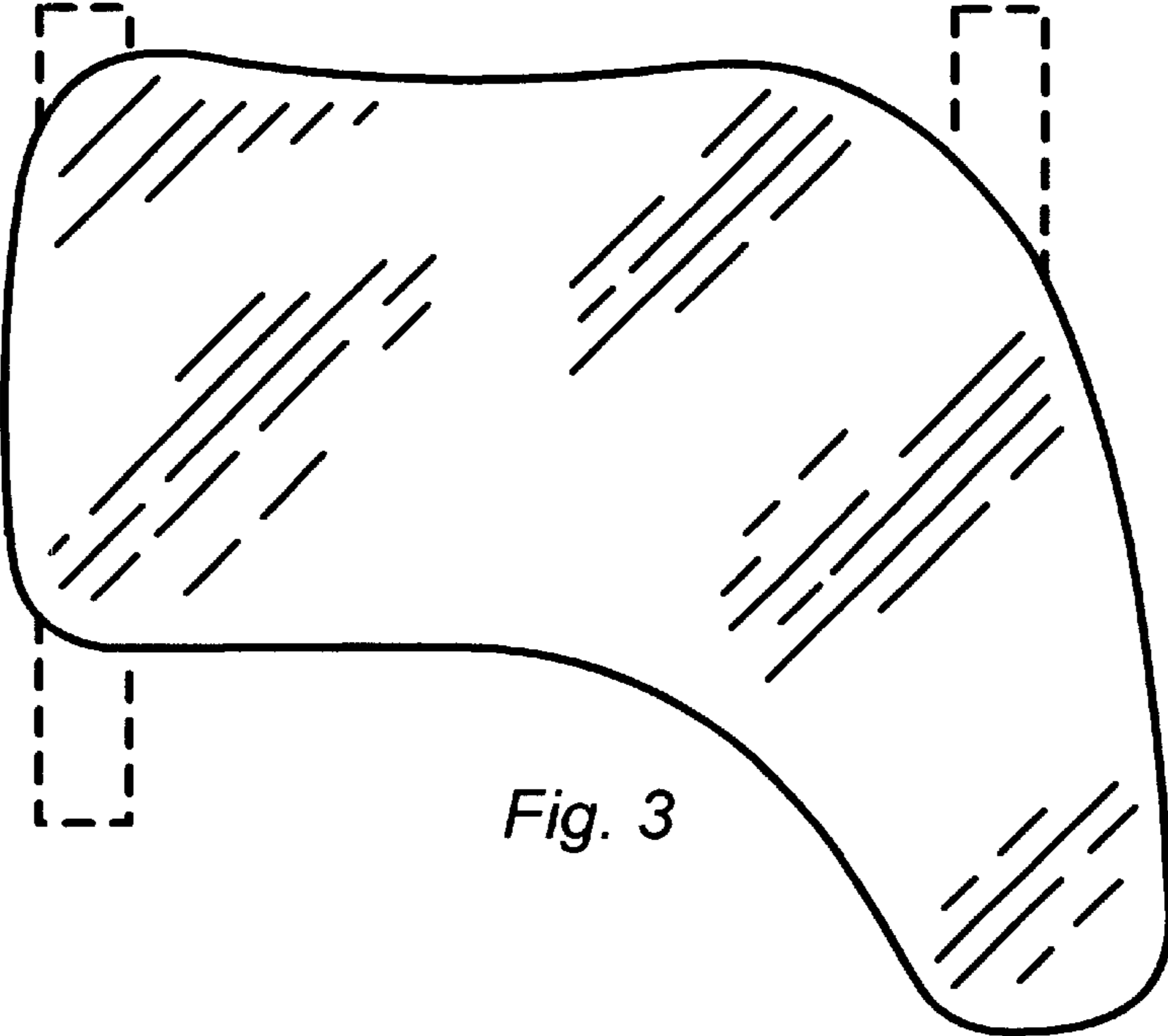


Fig. 3

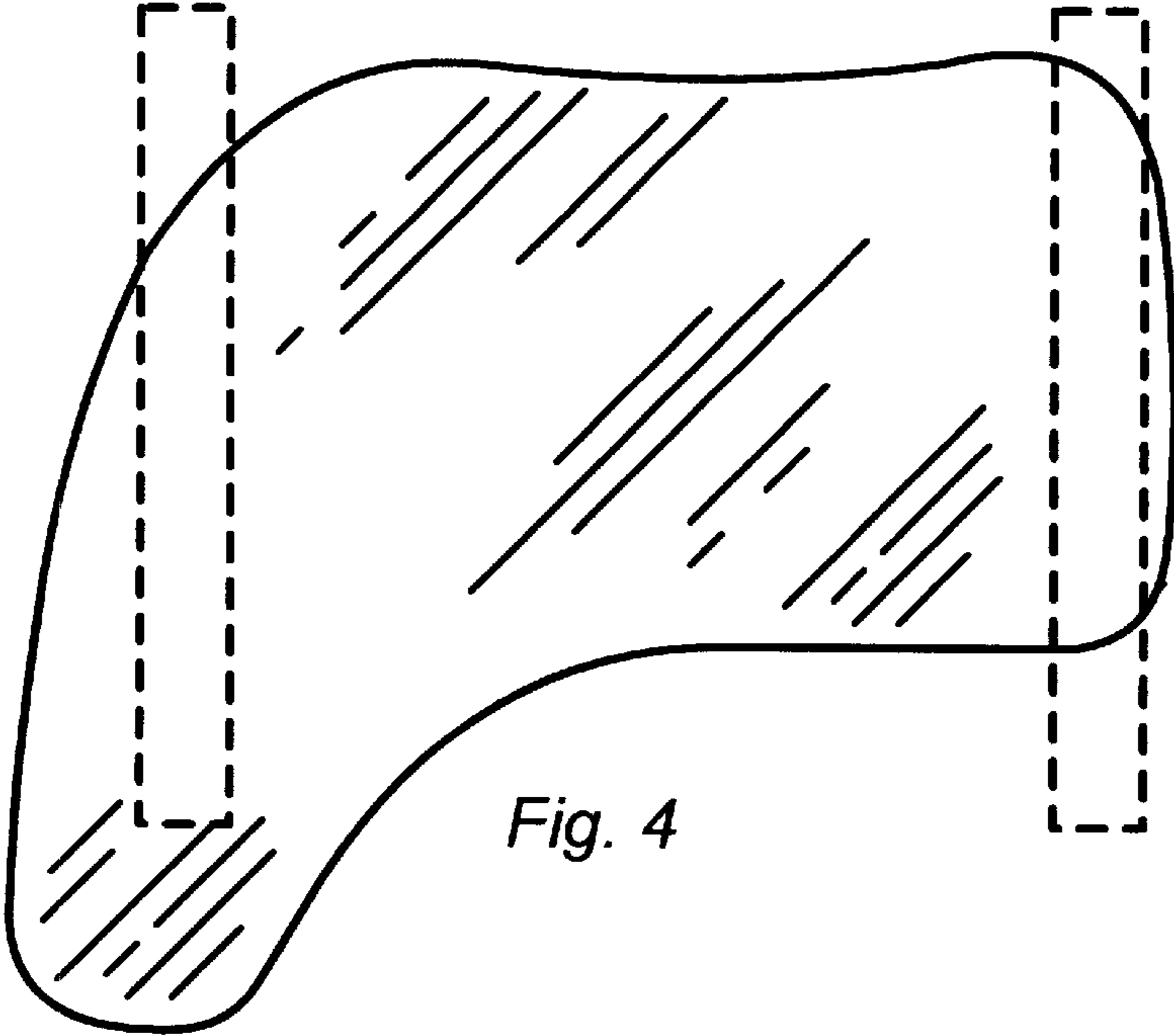


Fig. 4

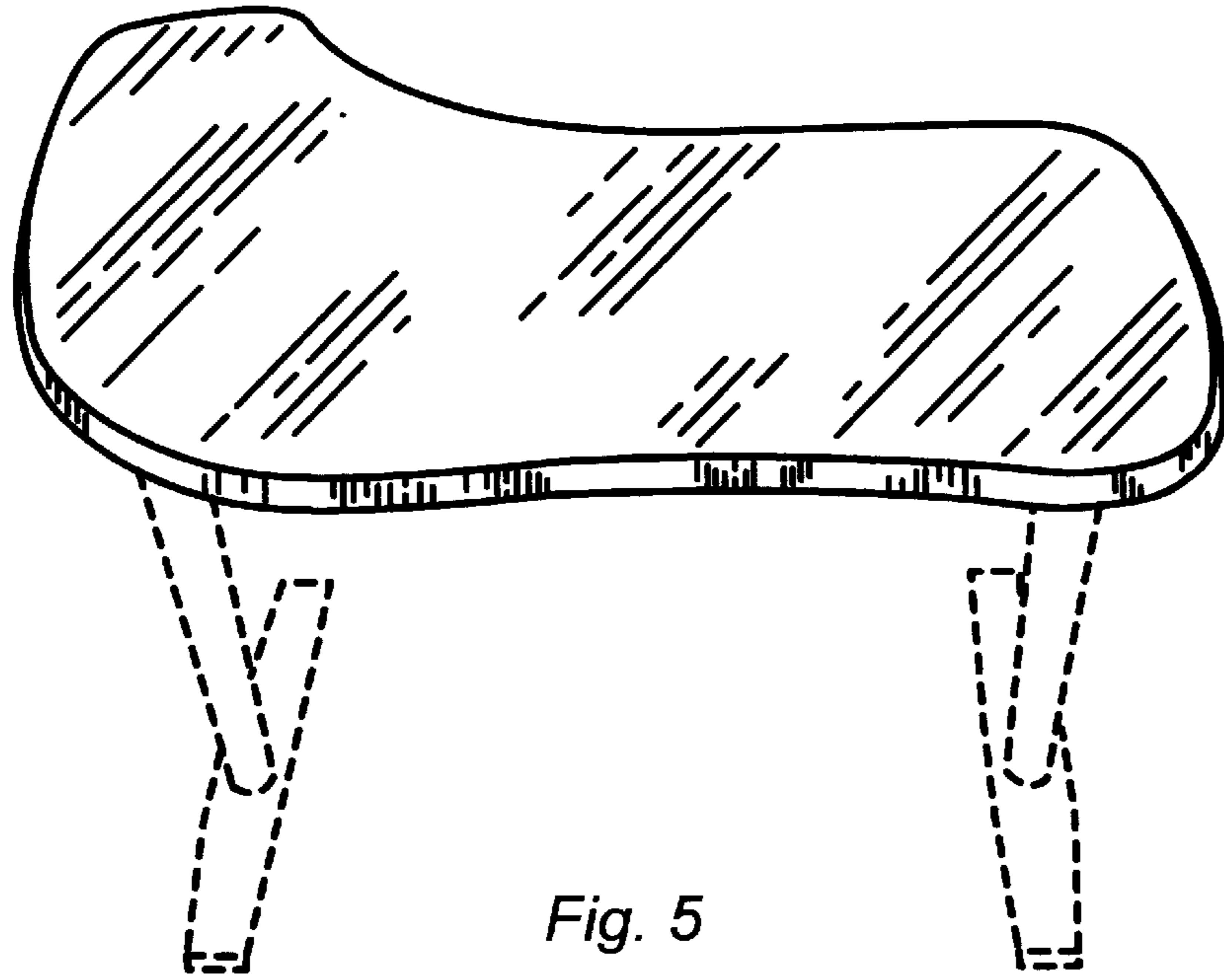


Fig. 5

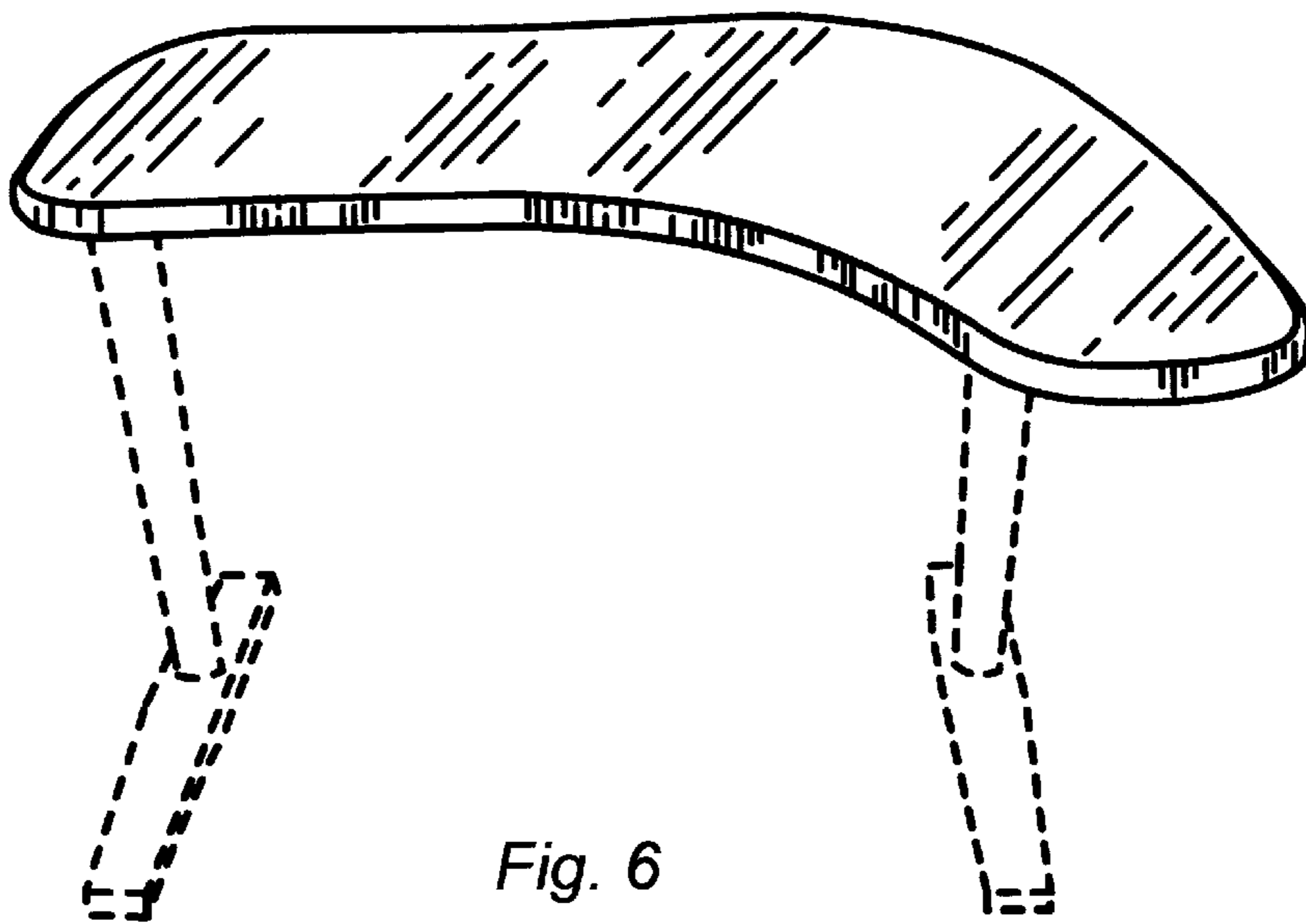


Fig. 6

