



US00D554918S

(12) **United States Design Patent** (10) **Patent No.:** **US D554,918 S**
Gale (45) **Date of Patent:** **** Nov. 13, 2007**

(54) **SEAT**
(75) Inventor: **Mary Frances Gale**, Brookvale (AU)
(73) Assignee: **The Bambach Saddle Seat Pty Ltd**,
Brookvale, New South Wales (AU)
(**) Term: **14 Years**
(21) Appl. No.: **29/259,316**
(22) Filed: **May 8, 2006**
(30) **Foreign Application Priority Data**
Nov. 23, 2005 (AU) 15158/2005
(51) **LOC (8) Cl.** **06-01**
(52) **U.S. Cl.** **D6/502**
(58) **Field of Classification Search** D6/349-355,
D6/363-364, 484, 495, 500-502; 297/195.1,
297/195.11, 16.1, 118, 16.2, 175, 187, 462,
297/215.16, 219.11, 423.1, 423.39, 423.41,
297/423.43, 461; 108/53.3, 115, 150
See application file for complete search history.

D277,722 S 2/1985 Gusrud
4,607,882 A 8/1986 Opsvik
4,631,766 A 12/1986 Semmler et al.
D292,454 S 10/1987 Rykken
D293,049 S 12/1987 Opsvik
D303,597 S 9/1989 Kaminski
D309,689 S 8/1990 Bool
D328,678 S 8/1992 Gale
D340,159 S 10/1993 Leighton
D341,176 S 11/1993 Habing et al.
D353,962 S 1/1995 Gale
D375,425 S 11/1996 Gale
D433,854 S * 11/2000 Diffrient D6/502
D454,438 S * 3/2002 Volkman et al. D6/349
D454,706 S * 3/2002 Volkman et al. D6/349
6,709,052 B2 * 3/2004 Jalkanen 297/202
D493,967 S * 8/2004 Barbieri D6/349
D493,968 S * 8/2004 Barbieri D6/352
D496,813 S * 10/2004 Nakajima D6/502
D509,076 S * 9/2005 Beck D6/354

* cited by examiner

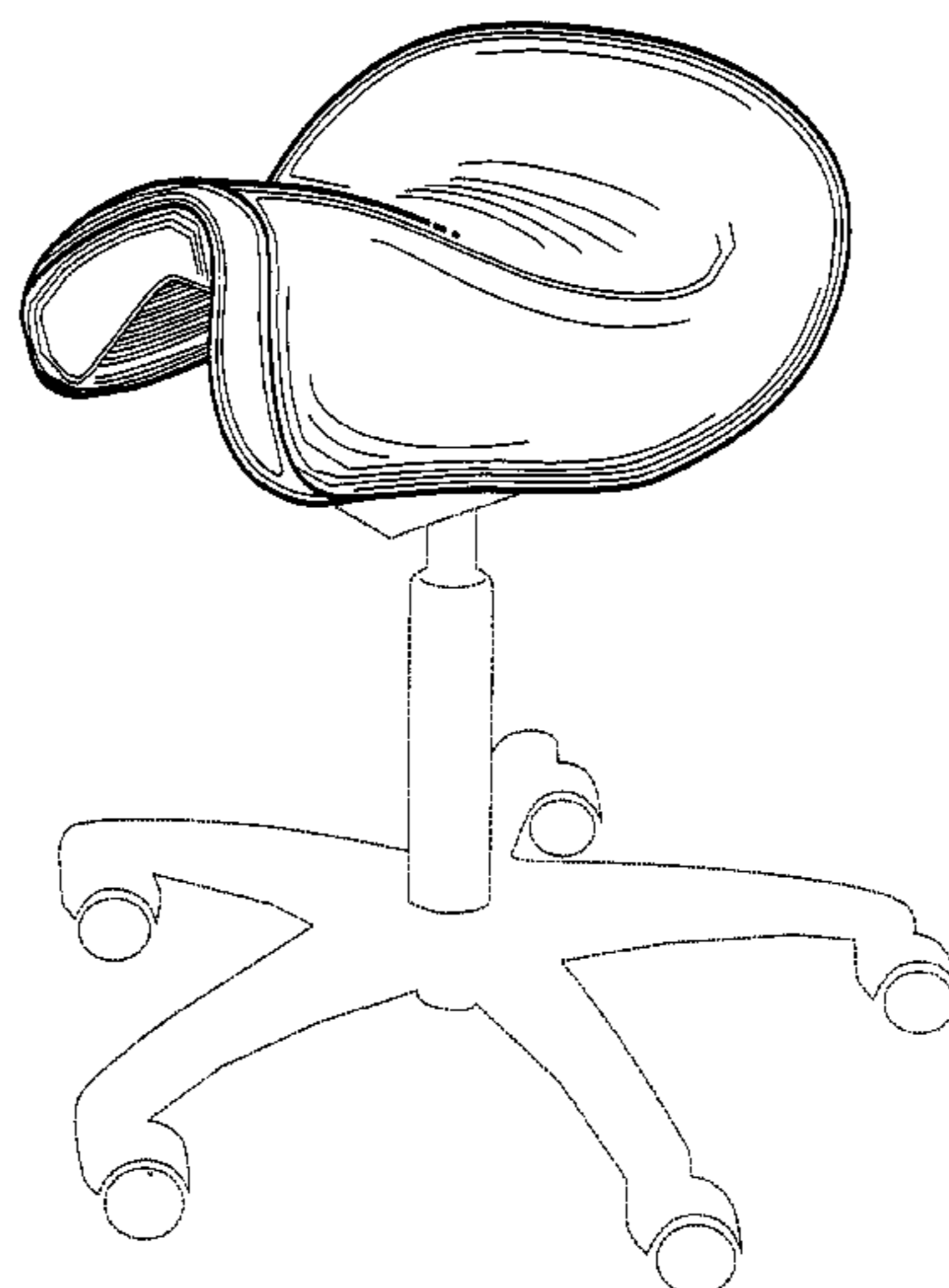
Primary Examiner—Sandra Snapp
(74) *Attorney, Agent, or Firm*—Hoffman, Wasson & Gitler,
PC

(56) **References Cited**
U.S. PATENT DOCUMENTS
251,507 A * 12/1881 Bartlett 297/195.11
D28,665 S 5/1898 Schrage
635,234 A 12/1899 Chance
2,314,080 A 3/1943 Dine et al.
2,397,286 A 3/1946 O'Hearn
D181,702 S 12/1957 Bargaen
2,847,061 A 8/1958 Morton
3,754,787 A 8/1973 Garber
3,863,978 A 2/1975 Gillings, Jr.
D239,354 S 3/1976 Flowers
4,130,263 A * 12/1978 Roericht 248/371
4,183,579 A 1/1980 Rojas
D261,450 S * 10/1981 Jenkins D6/354
4,366,981 A 1/1983 Zigler et al.
D271,352 S * 11/1983 De Boer D6/349
D275,156 S 8/1984 Carlin
4,469,372 A 9/1984 Long

(57) **CLAIM**
The ornamental design for a seat, as shown and described.

DESCRIPTION
FIG. 1 is a front view of the seat;
FIG. 2 is a rear view of the seat;
FIG. 3 is a top view of the seat;
FIG. 4 is a side view of the seat;
FIG. 5 is a top front view of the seat;
FIG. 6 is a perspective view of the seat; and,
FIG. 7 is a bottom view of the seat.
The broken lines are for illustrative purposes only and form
no part of the claimed design.

1 Claim, 7 Drawing Sheets



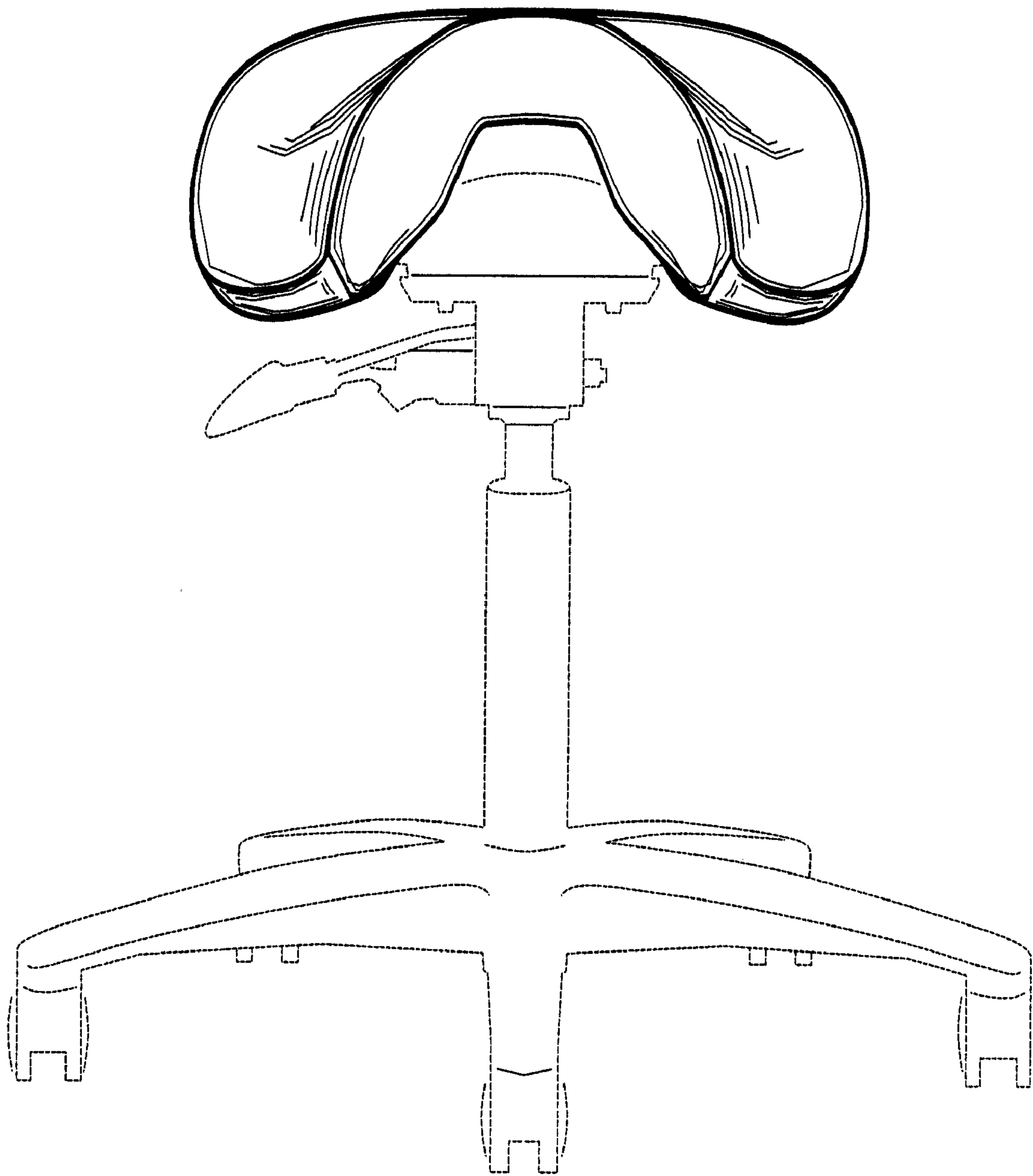


Figure 1

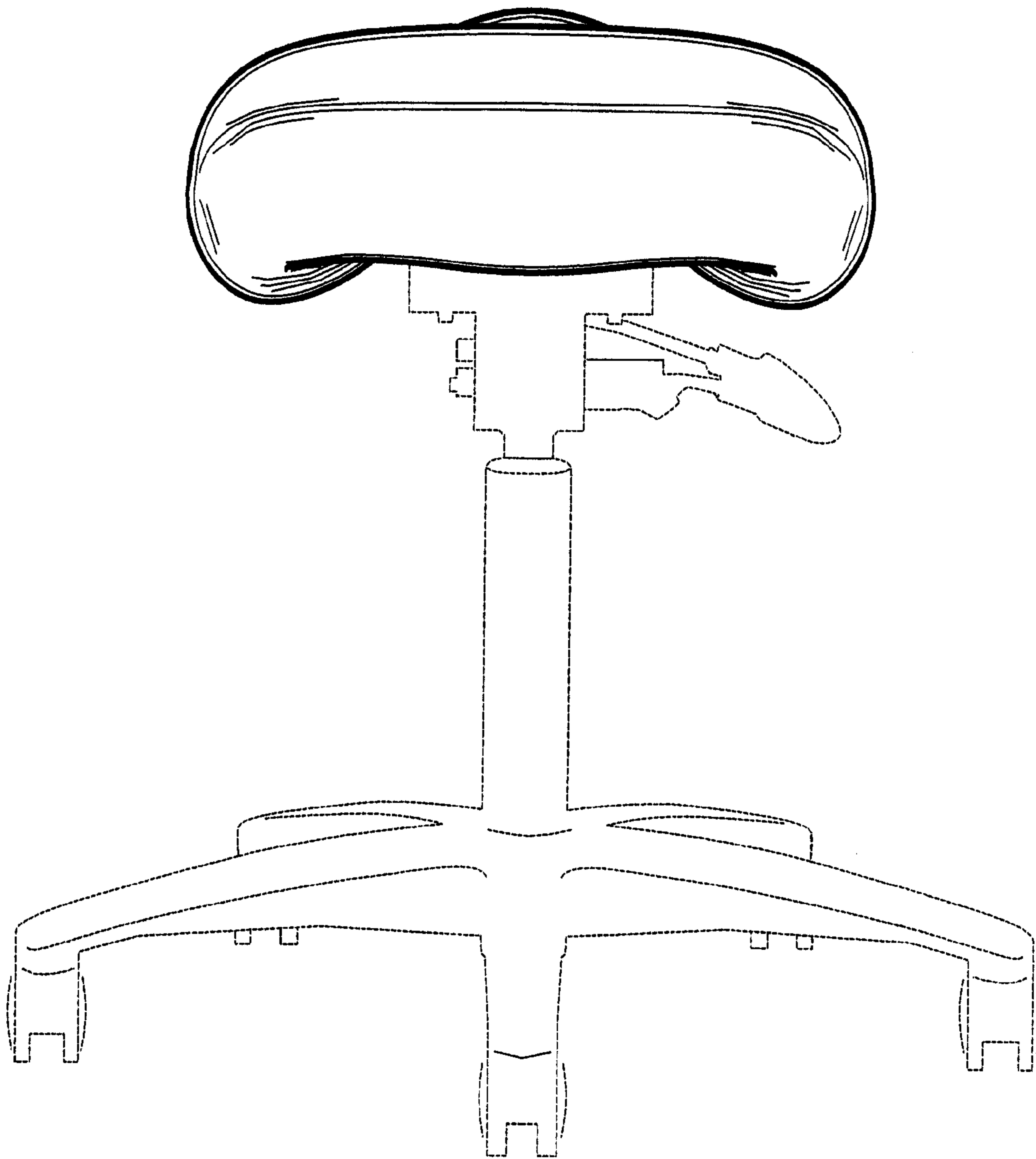


Figure 2

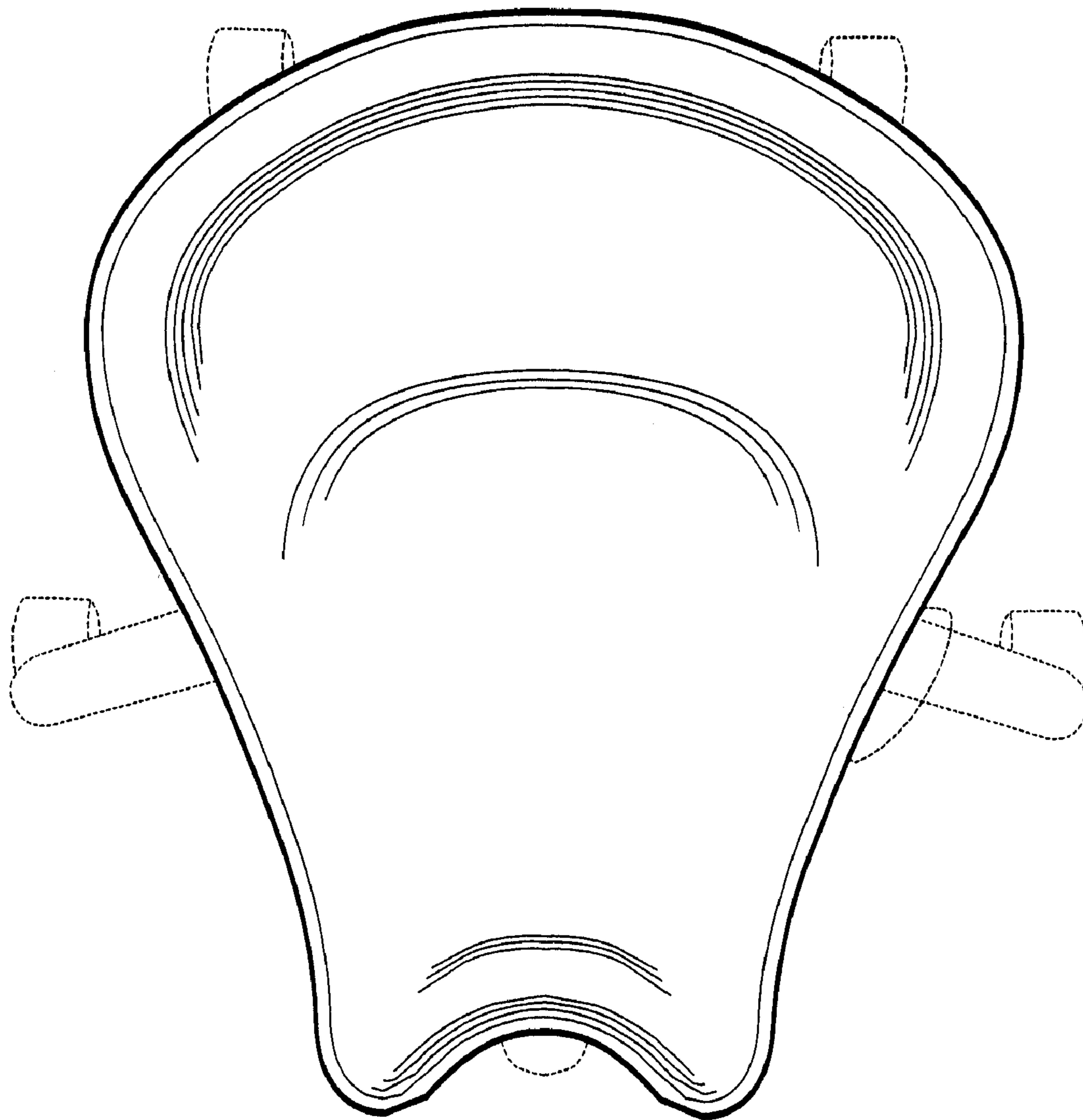


Figure 3

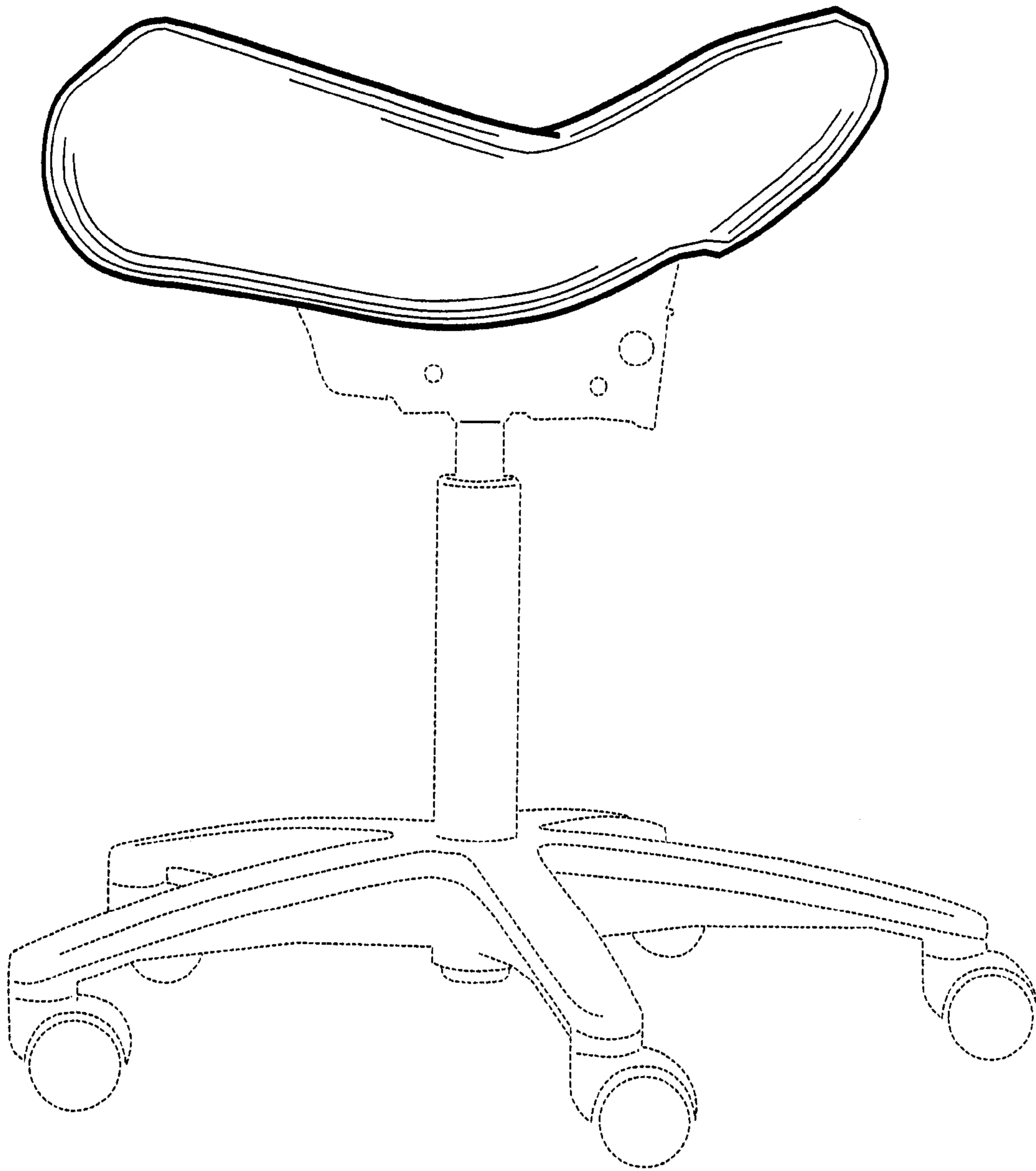


Figure 4

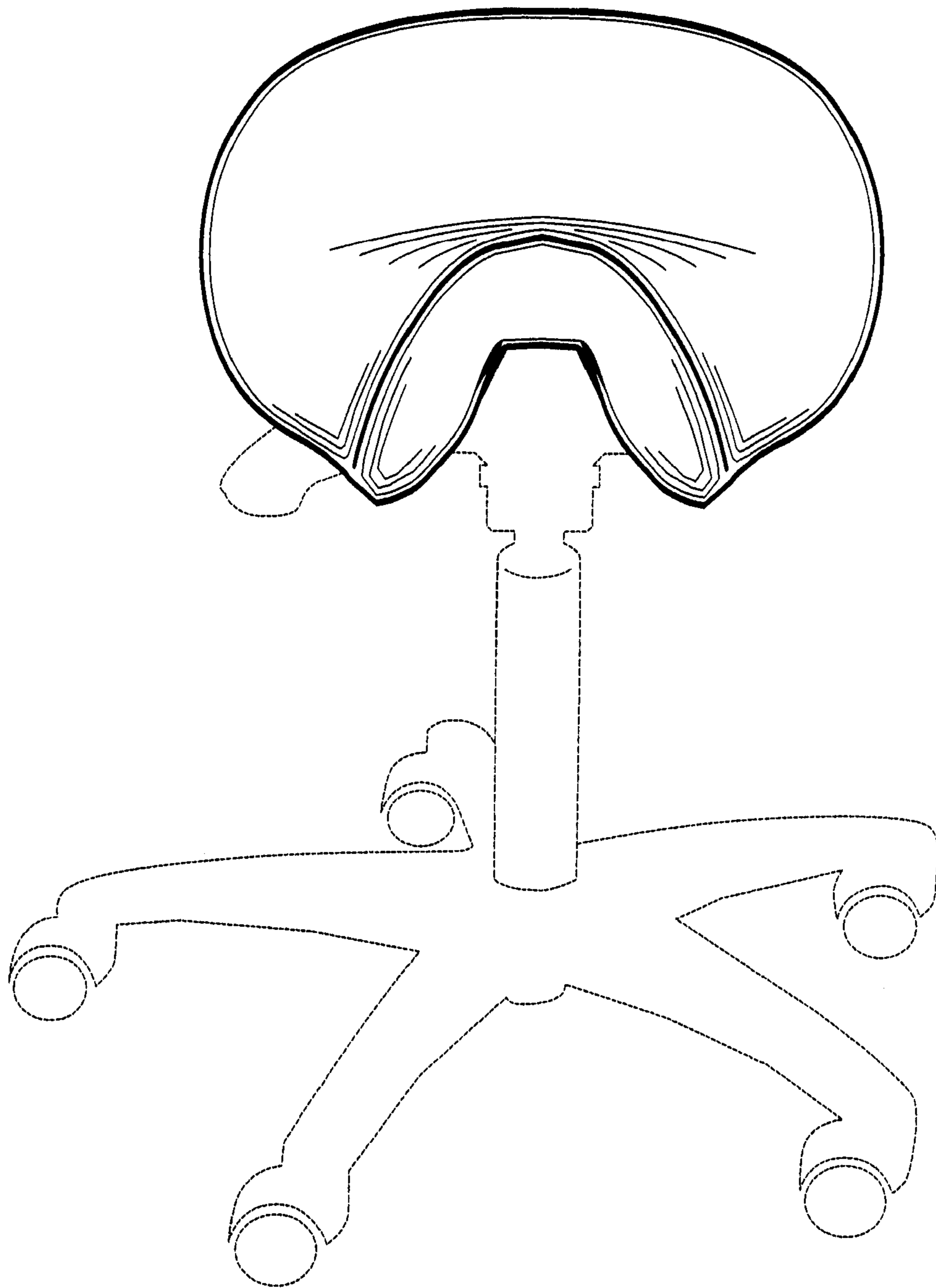


Figure 5

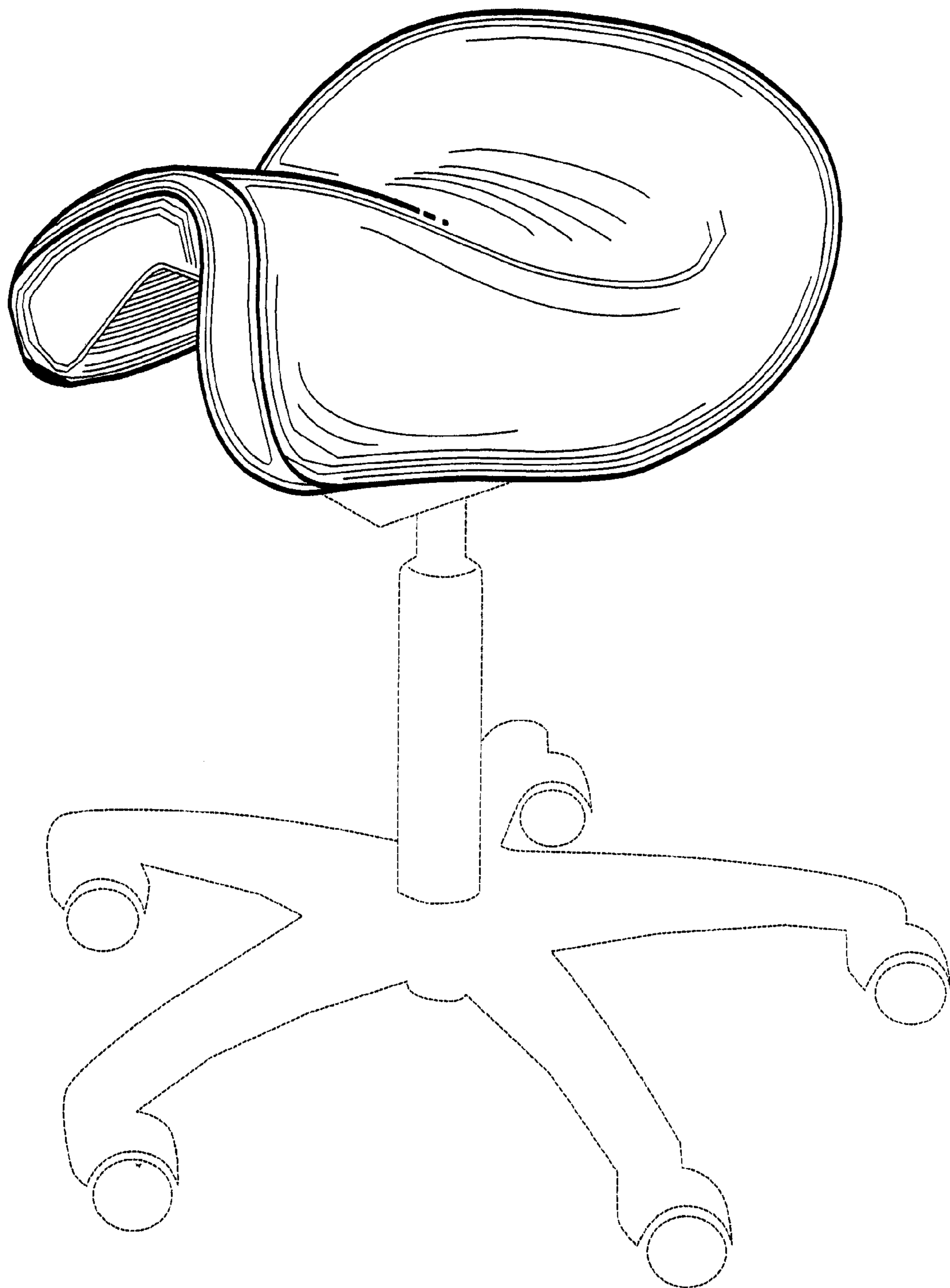


Figure 6

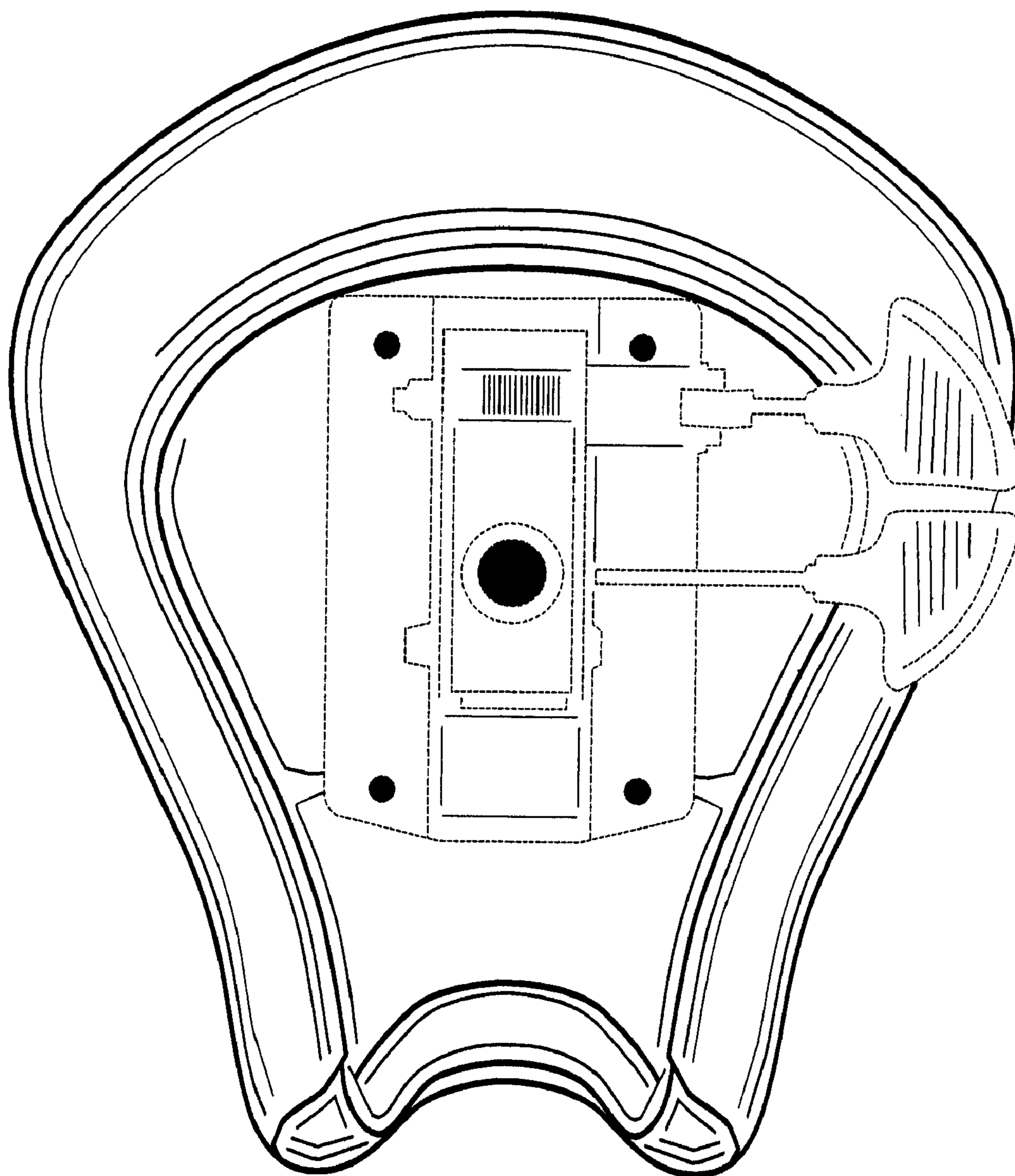


Figure 7