

US00D554915S

(12) **United States Design Patent**
Peng

(10) **Patent No.:** **US D554,915 S**

(45) **Date of Patent:** **** Nov. 13, 2007**

(54) **CHAIR TILT MECHANISM**

(76) **Inventor:** **I-Sin Peng**, No.410, Sec. 2, Henan Rd.,
Situn District, Taichung City 407 (TW)

(**) **Term:** **14 Years**

(21) **Appl. No.:** **29/264,137**

(22) **Filed:** **Aug. 4, 2006**

(51) **LOC (8) Cl.** **06-06**

(52) **U.S. Cl.** **D6/500**

(58) **Field of Classification Search** D6/334-336,
D6/364, 365, 366, 367, 491, 500-502; 248/161,
248/578; 297/300.1, 300.2, 344.12, 344.18,
297/344.19, 344.21, 463.1

See application file for complete search history.

(56) **References Cited**

U.S. PATENT DOCUMENTS

D242,514 S *	11/1976	Doerner	D6/500
D247,943 S *	5/1978	Doerner	D6/500
D249,768 S *	10/1978	Pinaire et al.	D6/500
D252,661 S *	8/1979	Bowman	D6/500
6,139,103 A *	10/2000	Hybarger et al.	297/300.5
D433,852 S *	11/2000	Zhou	D6/500
6,231,126 B1 *	5/2001	Cheng	297/463.1
6,325,456 B1 *	12/2001	Carnahan	297/463.1
6,352,308 B1 *	3/2002	Chen	297/344.21

6,619,740 B2 *	9/2003	Beggs	297/300.1
7,040,711 B2 *	5/2006	DeKraker et al.	297/463.1
7,066,554 B2 *	6/2006	Lin	297/463.1
2002/0096933 A1 *	7/2002	Wang	297/463.1

* cited by examiner

Primary Examiner—Mimosa De

(74) *Attorney, Agent, or Firm*—Troxell Law Office, PLLC

(57) **CLAIM**

I claim the ornamental design for a chair tilt mechanism, as shown and described.

DESCRIPTION

FIG. 1 is a perspective view of a chair tilt mechanism showing my new design;

FIG. 2 is a front elevation view thereof;

FIG. 3 is a rear elevation view thereof;

FIG. 4 is a left side view thereof;

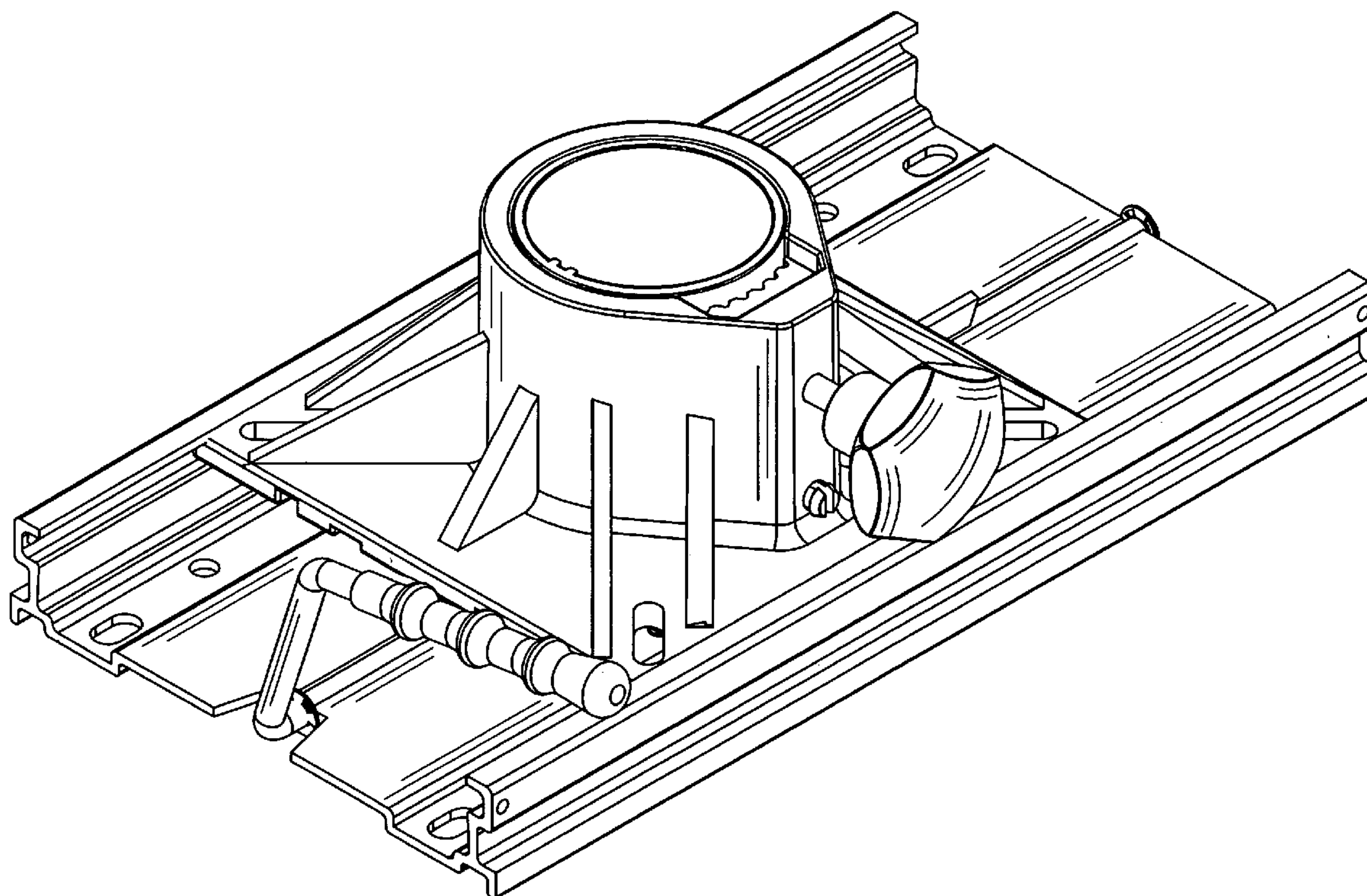
FIG. 5 is a right side view thereof;

FIG. 6 is a top plan view thereof; and,

FIG. 7 is a bottom plan view thereof.

The broken lines shown in FIGS. 6 and 7 are for illustrative purposes only and do not form part of the claimed design.

1 Claim, 6 Drawing Sheets



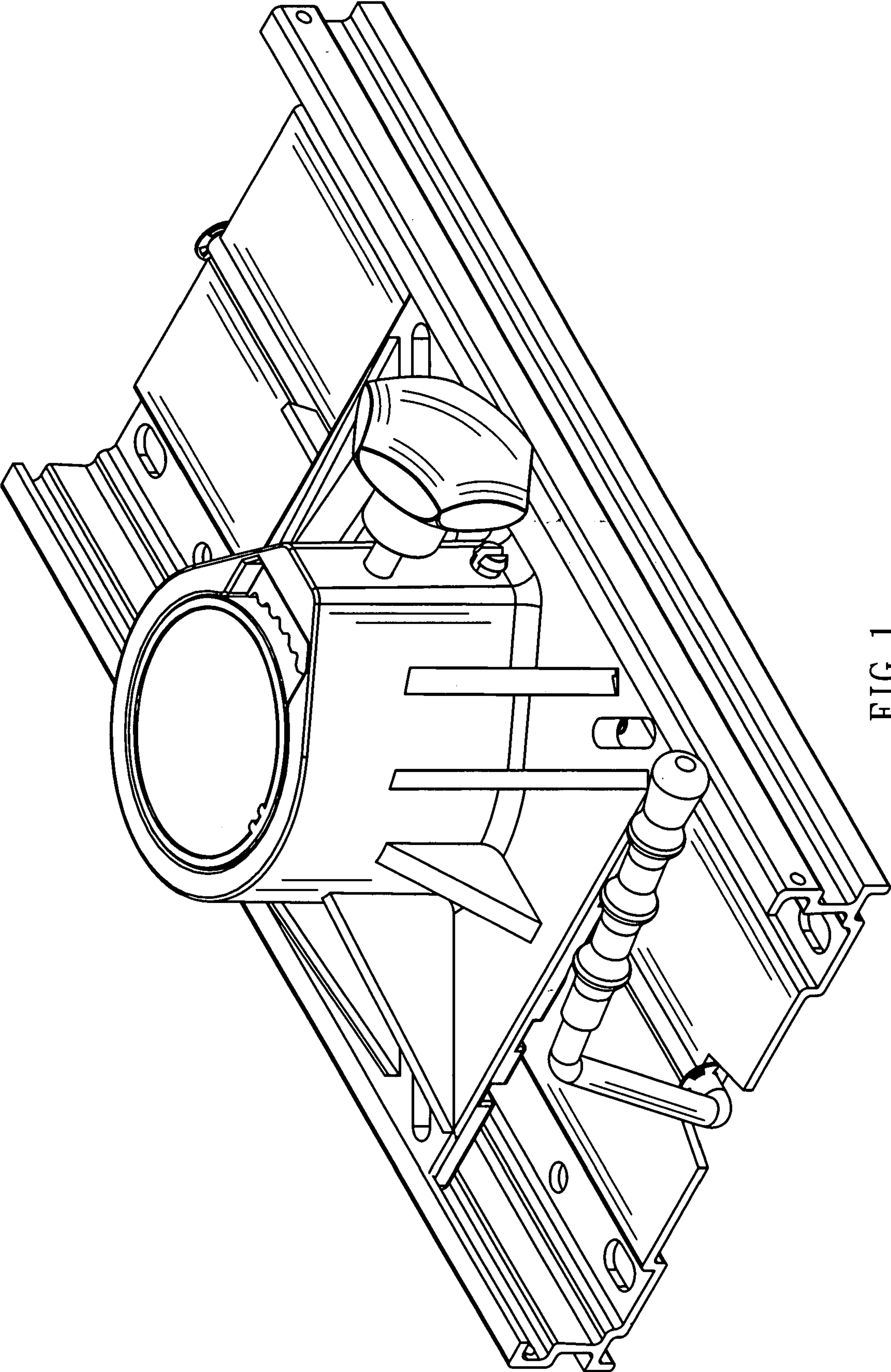


FIG. 1

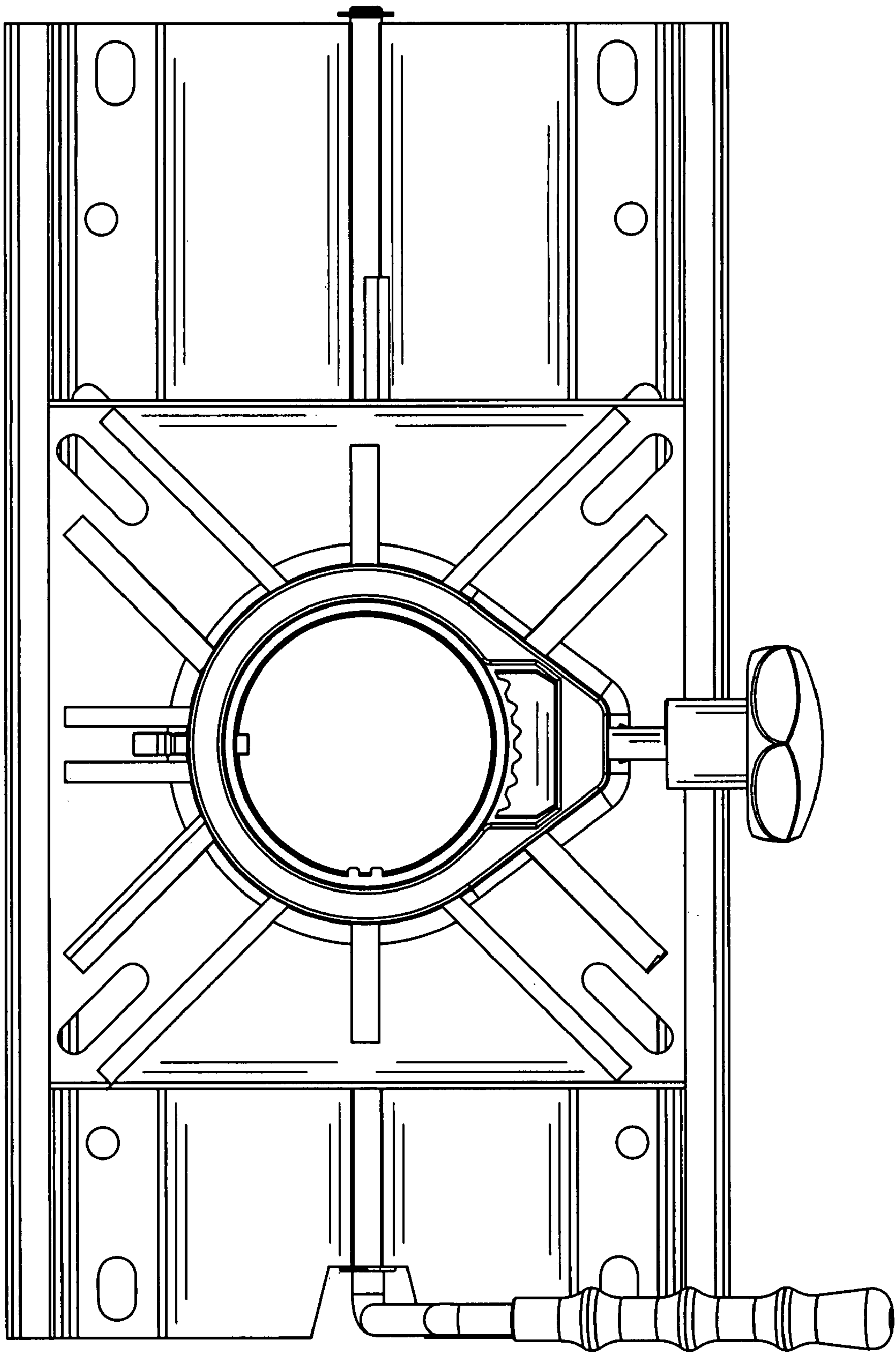


FIG. 2

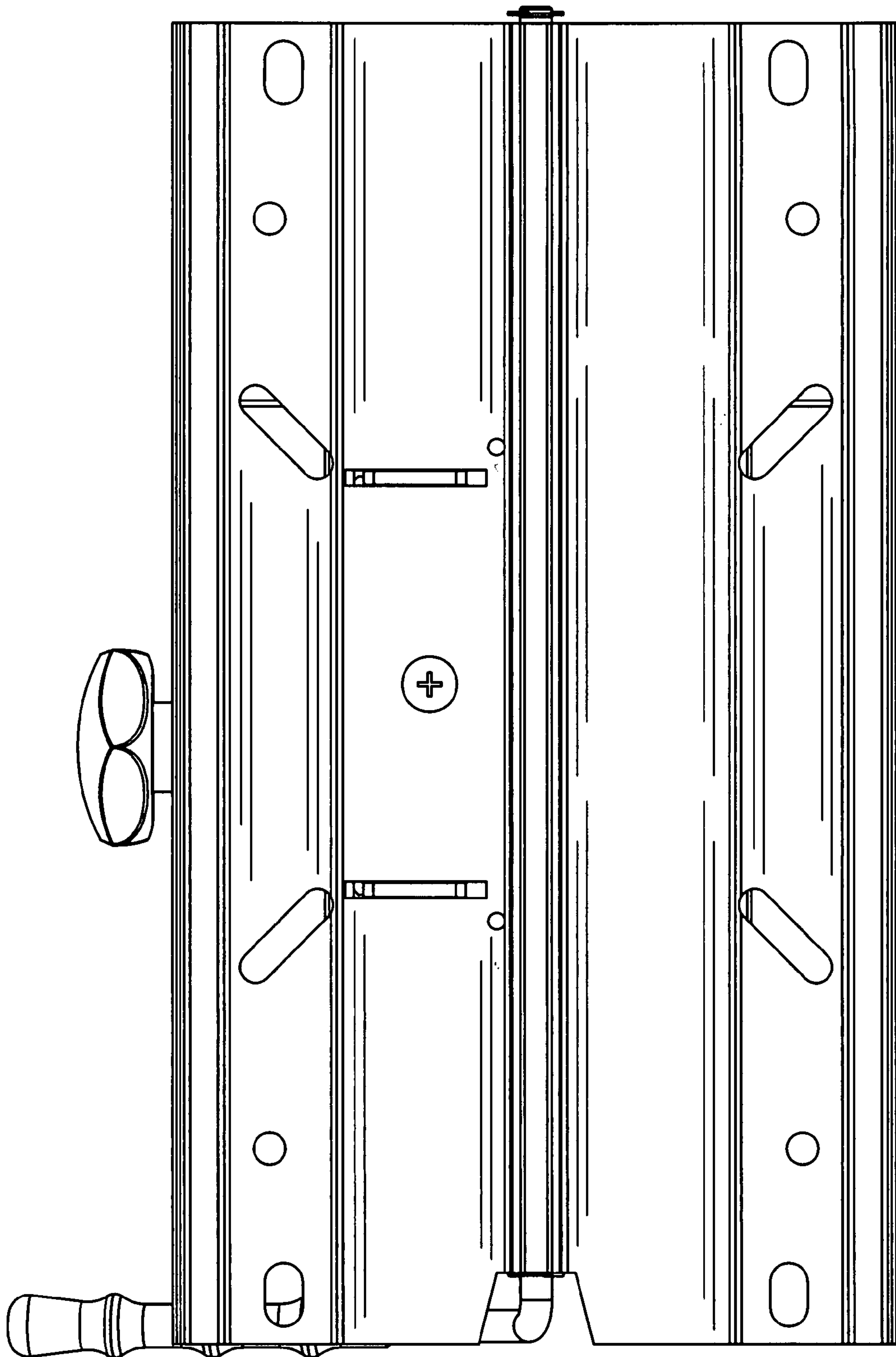


FIG. 3

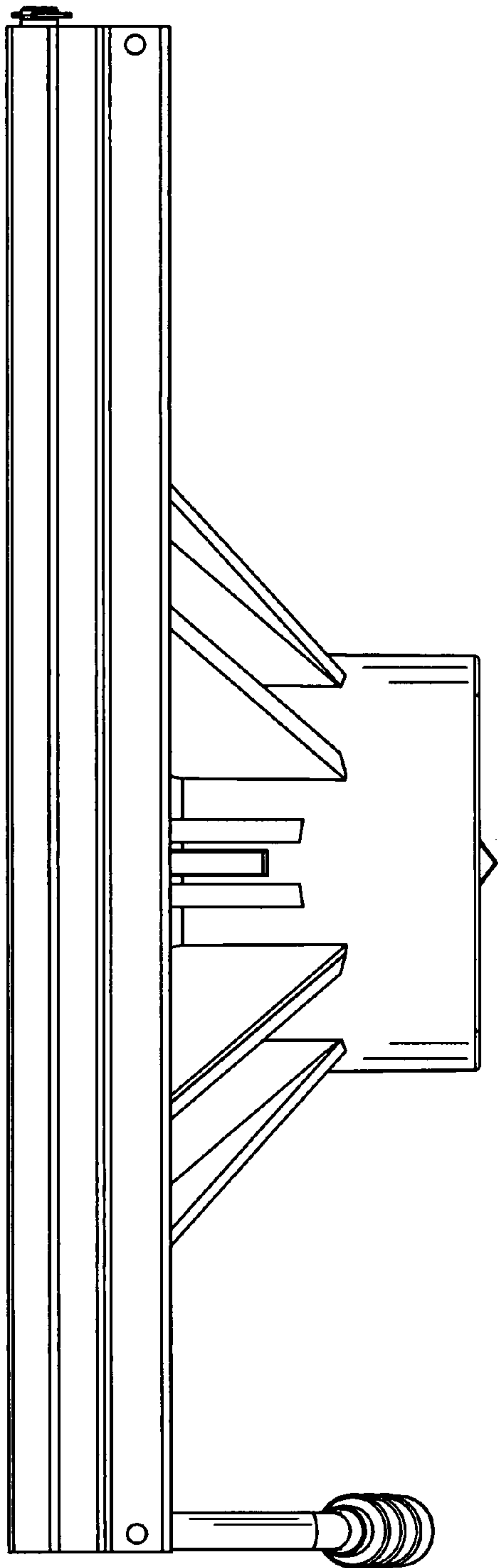


FIG. 4

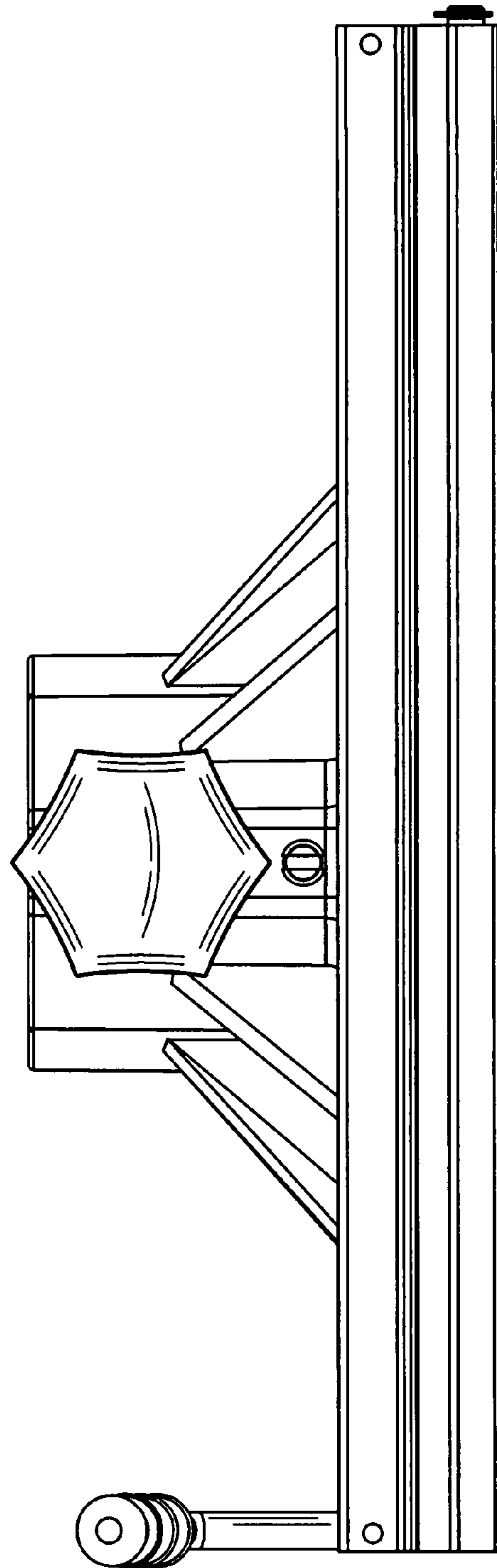


FIG. 5

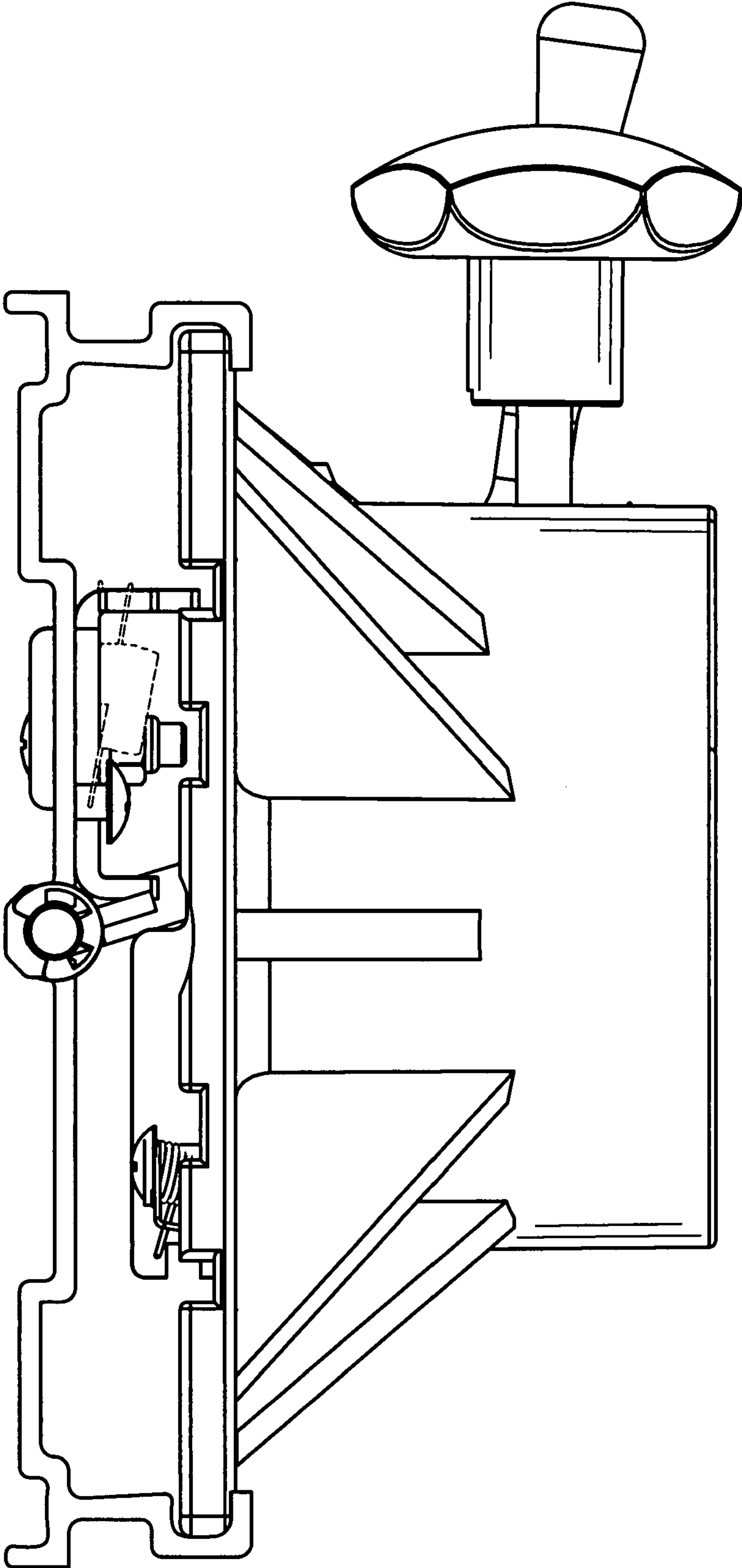


FIG. 6

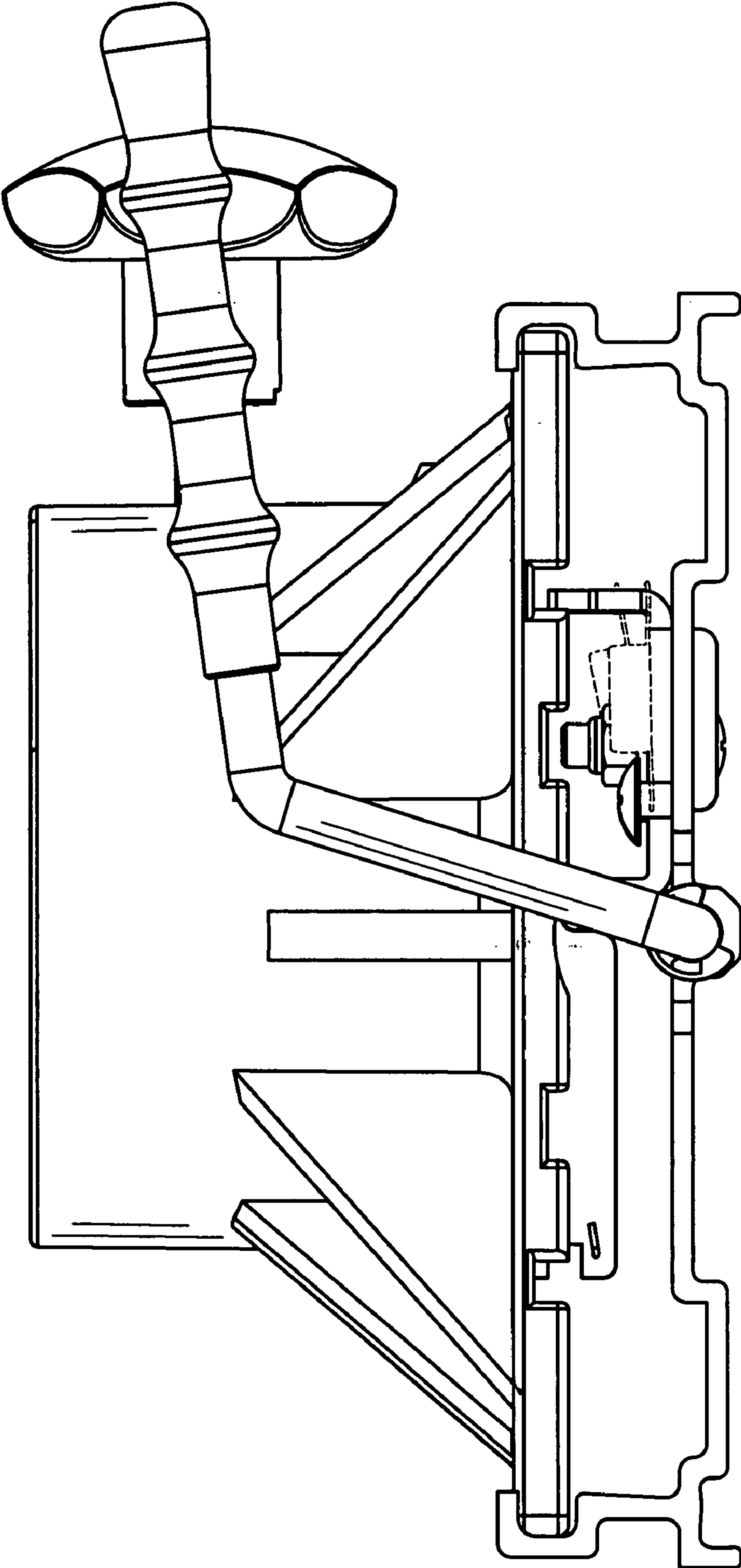


FIG. 7