



US00D554914S

(12) **United States Design Patent**
Thompson

(10) **Patent No.:** **US D554,914 S**

(45) **Date of Patent:** **** Nov. 13, 2007**

(54) **ACCENT TABLE COMPONENT**

D476,833 S * 7/2003 Weaver D6/495

(75) Inventor: **David W. Thompson**, New Albany, OH (US)

* cited by examiner

(73) Assignee: **American Signature, Inc.**, Columbus, OH (US)

Primary Examiner—Robert M. Spear

Assistant Examiner—Sydney R. Buffalow

(74) *Attorney, Agent, or Firm*—Wood, Herron & Evans, L.L.P.

(**) Term: **14 Years**

(57) **CLAIM**

(21) Appl. No.: **29/275,545**

The ornamental design for an accent table component, as shown and described.

(22) Filed: **Dec. 29, 2006**

DESCRIPTION

(51) **LOC (8) Cl.** **06-06**

FIG. 1 is a perspective view of an accent table component showing my new design.

(52) **U.S. Cl.** **D6/495**

FIG. 2 is another perspective view thereof.

(58) **Field of Classification Search** D6/495,
D6/480-489, 496-499, 429, 422; 108/153.1,
108/155, 156, 157.1, 161, 148; 248/188,
248/188.1, 188.7, 188.8

FIG. 3 is a front elevational view thereof.

FIG. 4 is a right elevational view thereof.

FIG. 5 is a rear elevational view thereof.

See application file for complete search history.

FIG. 6 is a left elevational view thereof.

FIG. 7 is a top plan view thereof; and,

FIG. 8 is a bottom plan view thereof.

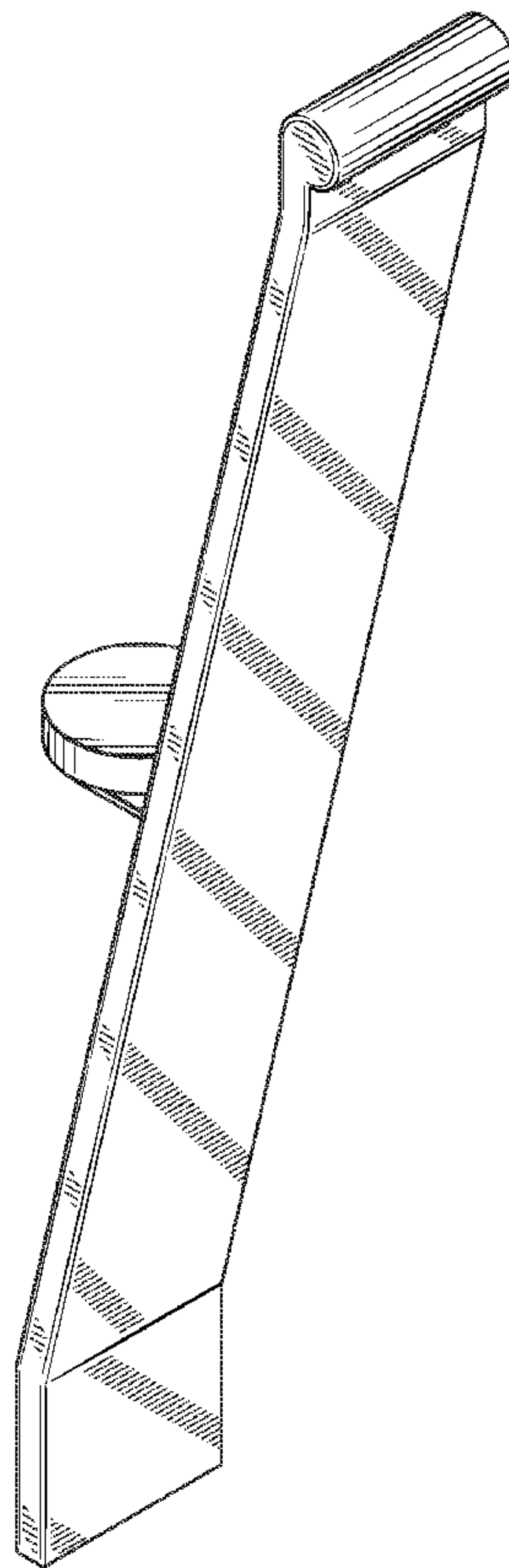
The broken lines in FIG. 2 depict environment and form no part of the claimed design.

(56) **References Cited**

U.S. PATENT DOCUMENTS

D312,543 S	*	12/1990	Shields	D6/492
D328,000 S	*	7/1992	Weaver	D6/485
D331,343 S	*	12/1992	VanStaveren	D6/495
D476,512 S	*	7/2003	Glass	D6/495

1 Claim, 4 Drawing Sheets



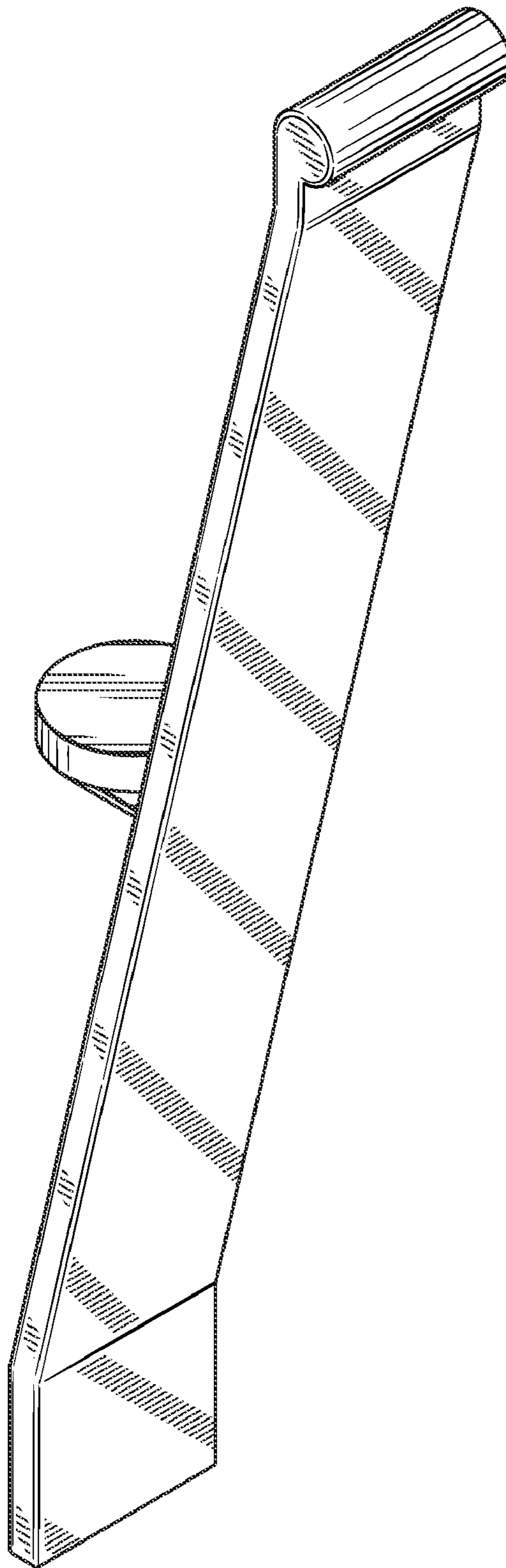


FIG. 1

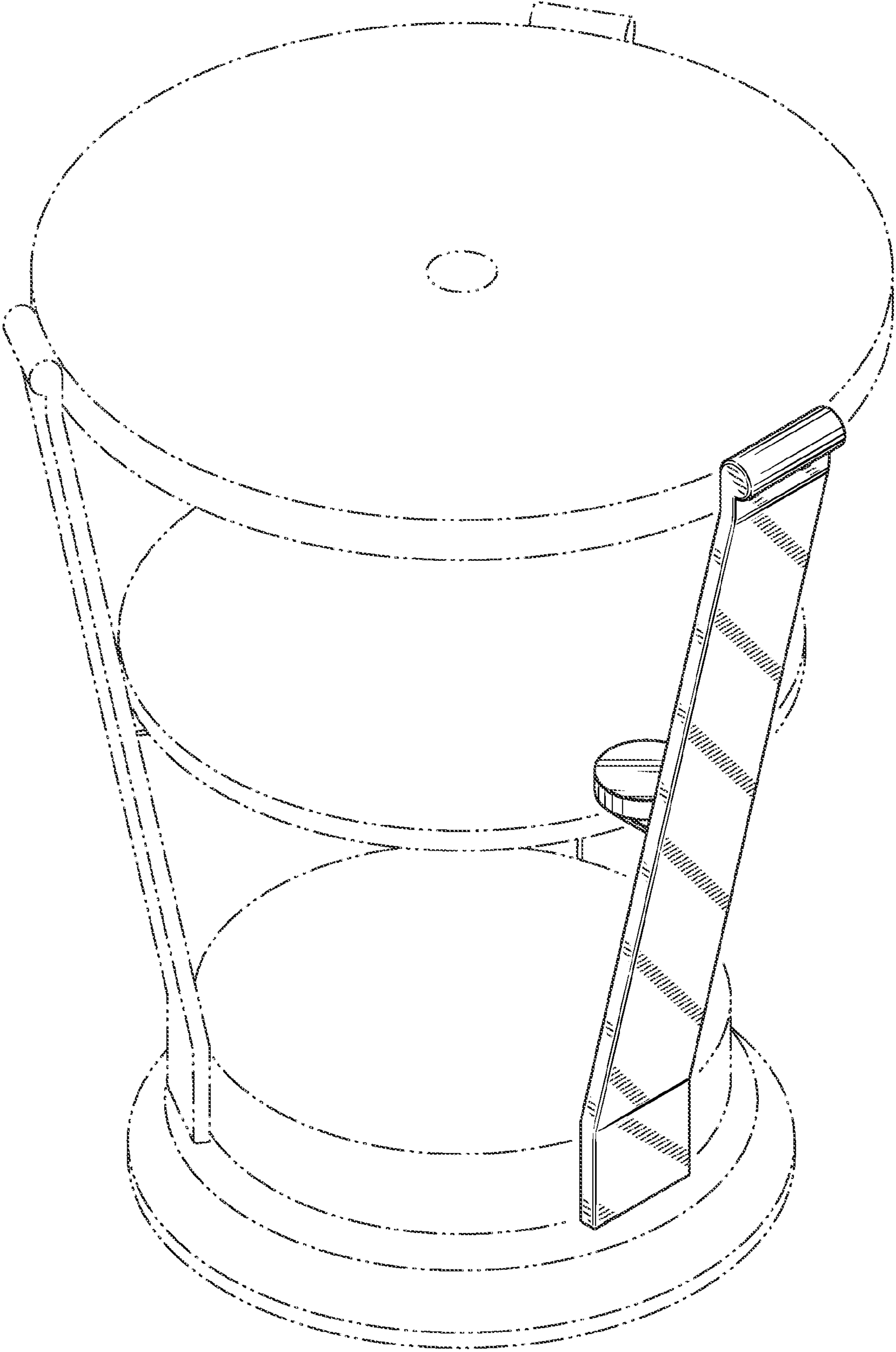


FIG. 2

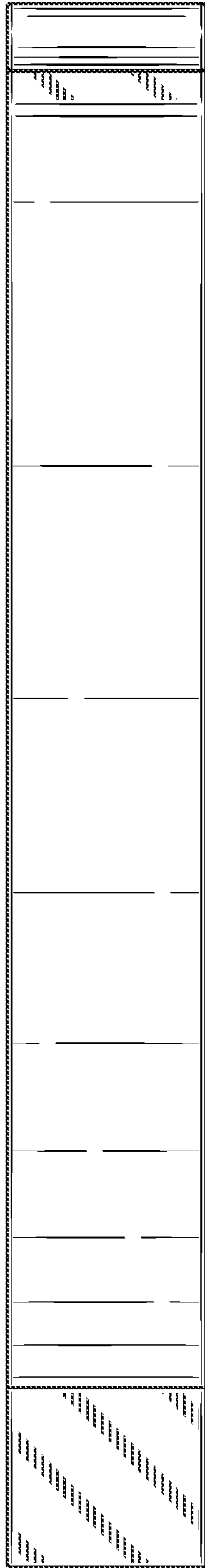


FIG. 3

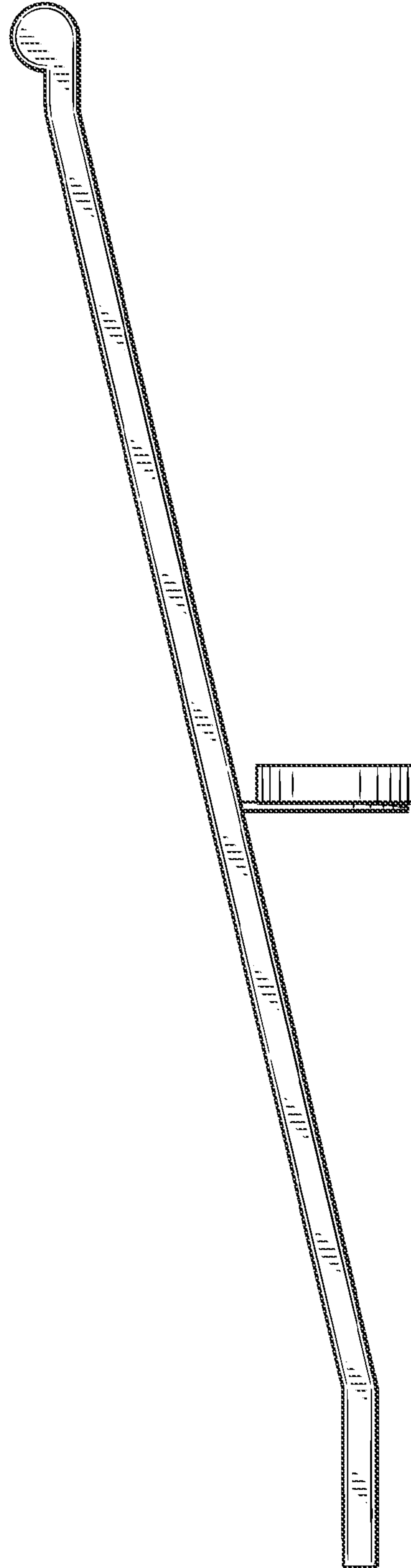


FIG. 4

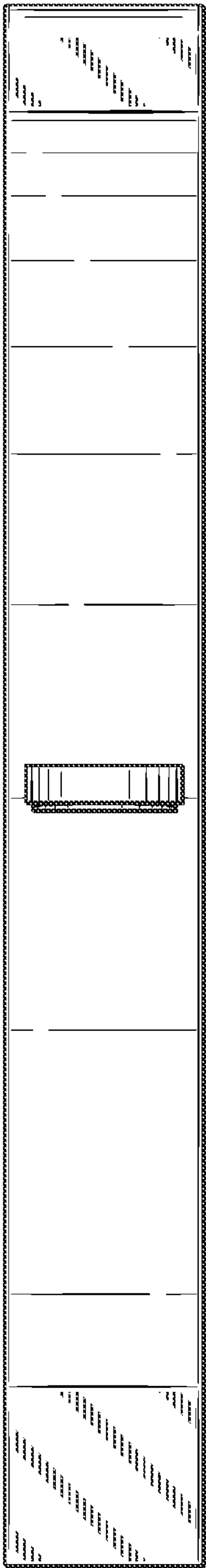


FIG. 5

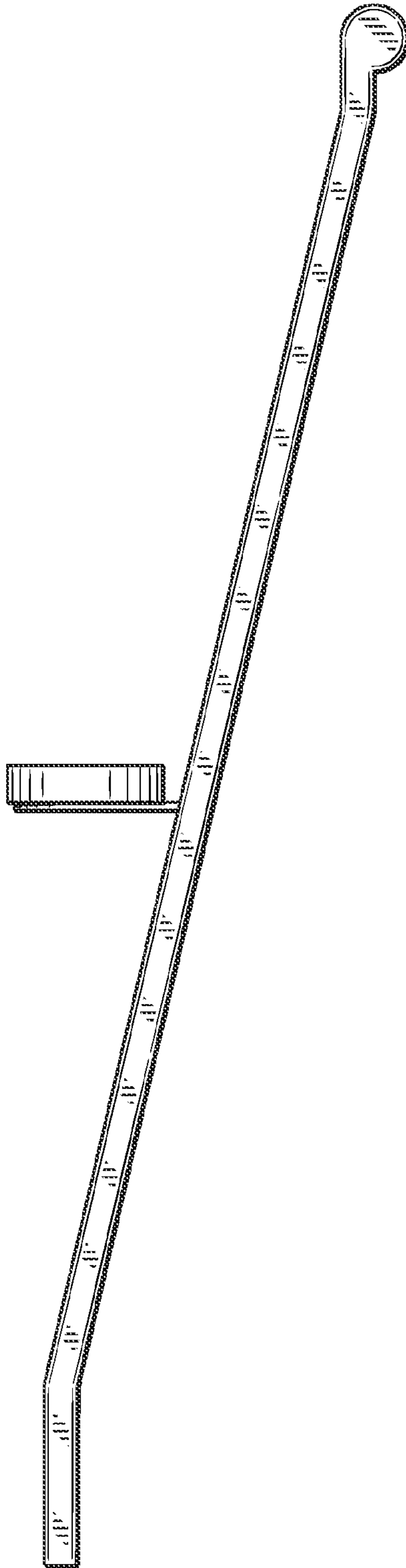


FIG. 6

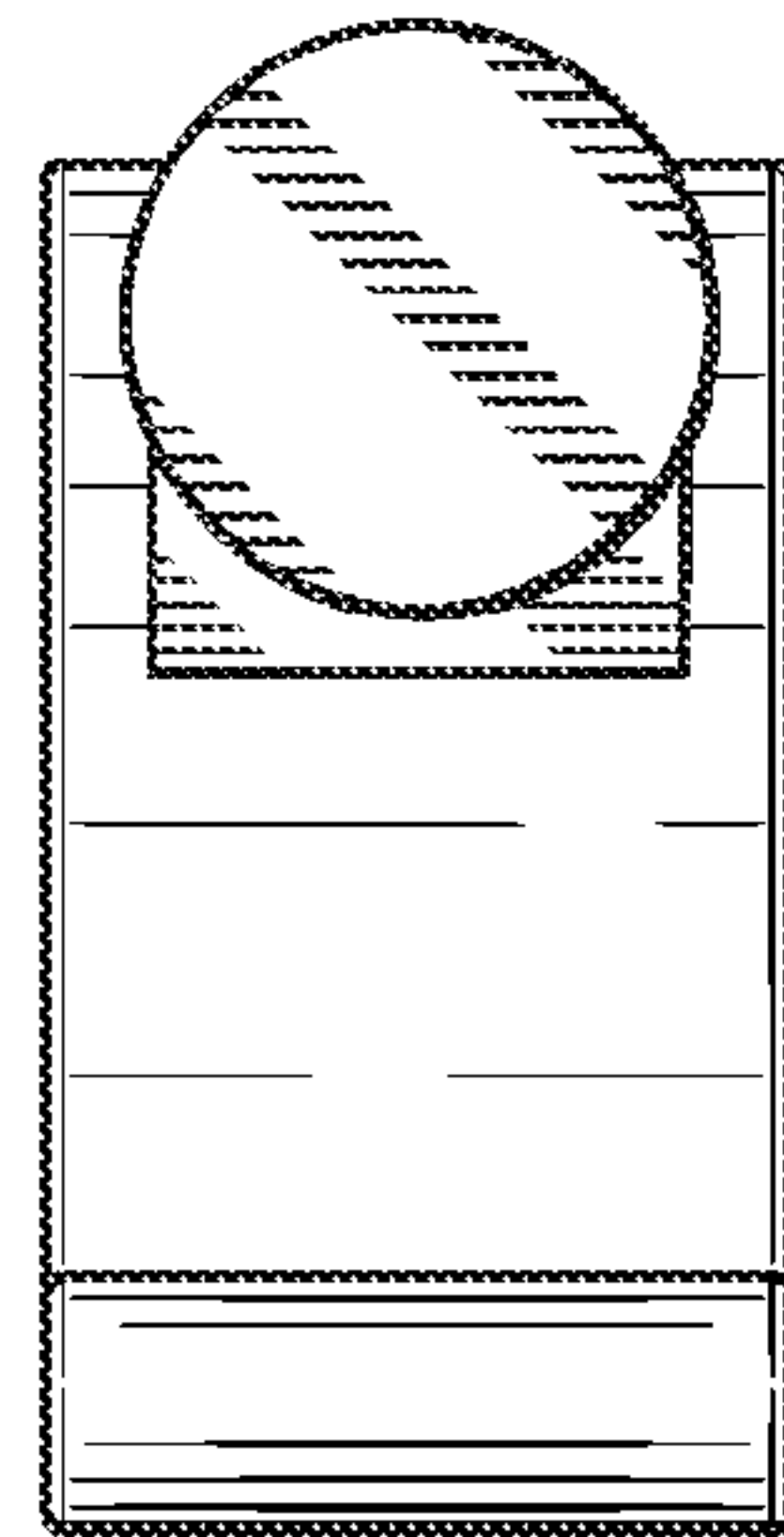


FIG. 7

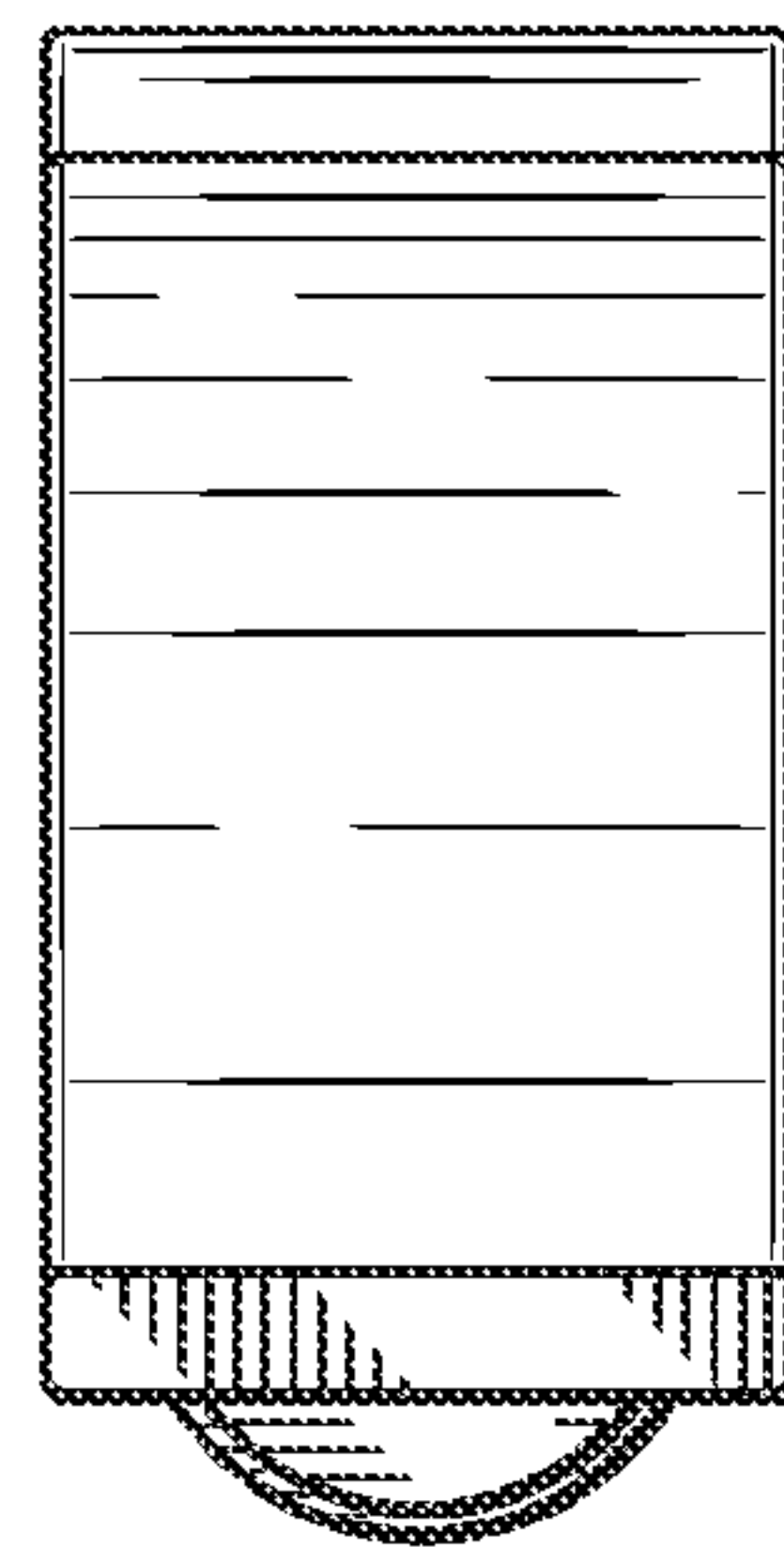


FIG. 8