

US00D554913S

(12) **United States Design Patent**
Magnusson

(10) **Patent No.:** **US D554,913 S**

(45) **Date of Patent:** **** Nov. 13, 2007**

(54) **SUPPORT STRUCTURE FOR A TABLE**

(75) Inventor: **Carl Magnusson**, New York, NY (US)

(73) Assignee: **TK Canada Limited**, Downsview,
Ontario (CA)

(**) Term: **14 Years**

(21) Appl. No.: **29/257,830**

(22) Filed: **Apr. 12, 2006**

(51) **LOC (8) Cl.** **06-06**

(52) **U.S. Cl.** **D6/495**

(58) **Field of Classification Search** D6/480-489,
D6/495-499, 429, 492; 108/153.1, 155,
108/157.1, 161; 248/188, 188.1, 188.8
See application file for complete search history.

(56) **References Cited**

U.S. PATENT DOCUMENTS

D270,411 S	*	9/1983	DeGregori	D6/480
D292,856 S	*	11/1987	Jasinski	D6/484
D404,939 S	*	2/1999	Frank et al.	D6/495
D498,088 S	*	11/2004	Tsang	D6/484

OTHER PUBLICATIONS

Zague Nn Innovation, by J. Strasborg, May 1, 1989 #1045 table at bottom of page.*

Interior Design Market, Sep. 1987, p. 90, table.*

* cited by examiner

Primary Examiner—Janice E. Seeger

(74) *Attorney, Agent, or Firm*—Katten Muchin Rosenman LLP

(57) **CLAIM**

The ornamental design for a support structure for a table, as shown.

DESCRIPTION

FIG. 1 is a perspective view of a support structure for a table in accordance with the present invention;

FIG. 2 is a top view thereof;

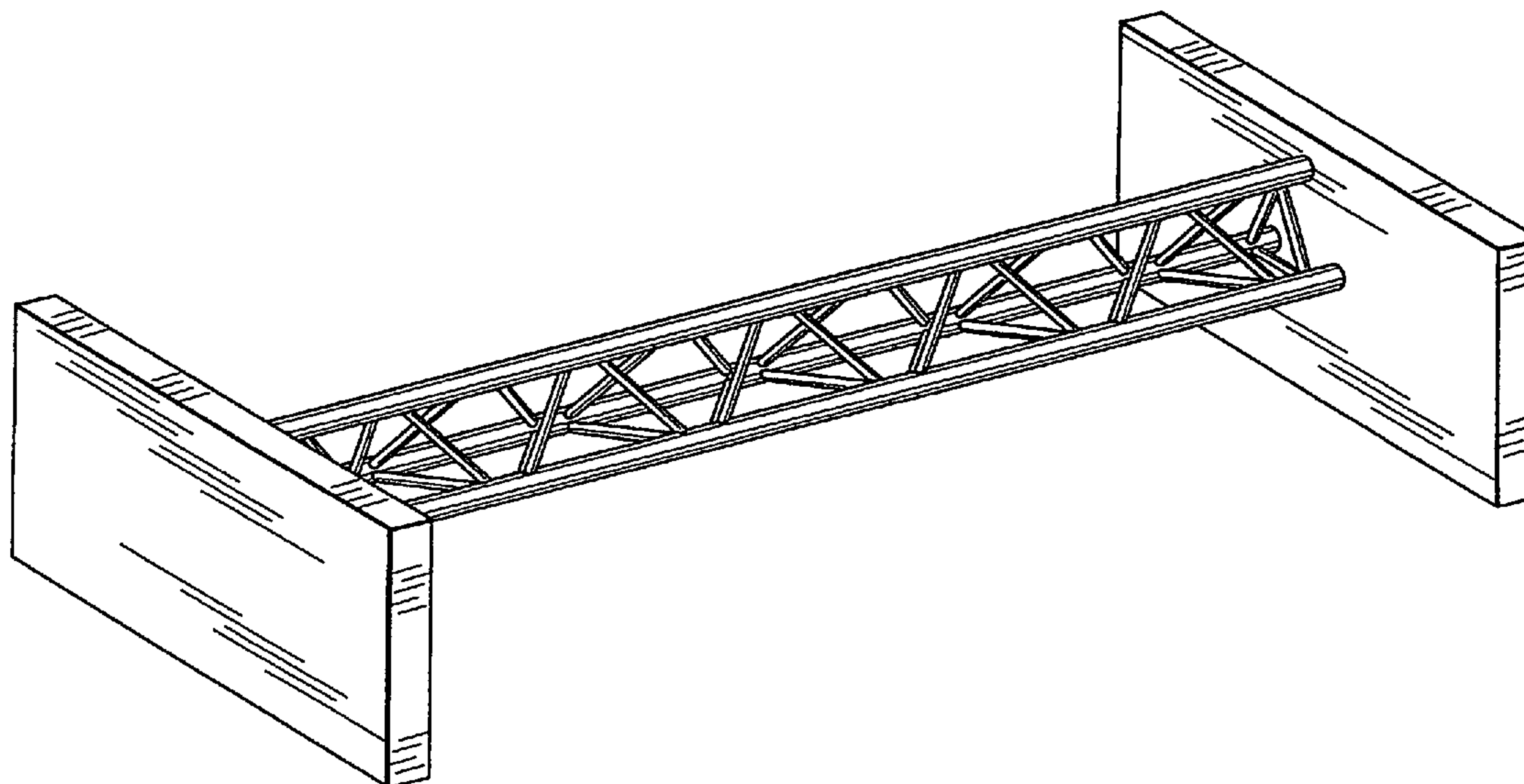
FIG. 3 is a bottom view thereof;

FIG. 4 is a front view thereof;

FIG. 5 is a left side view thereof, the right side view being identical;

FIG. 6 is a rear view thereof.

1 Claim, 5 Drawing Sheets



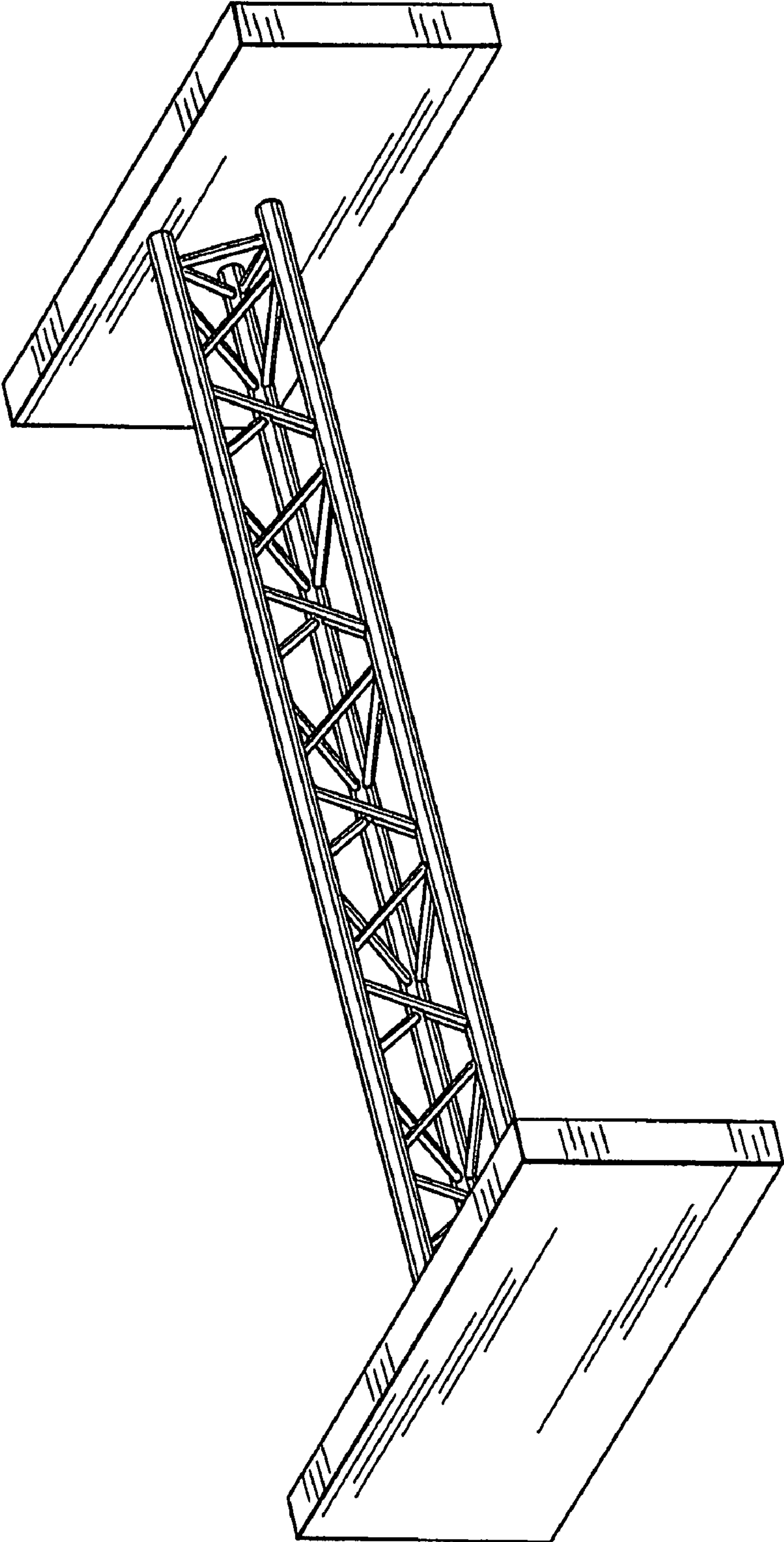


FIG. 1

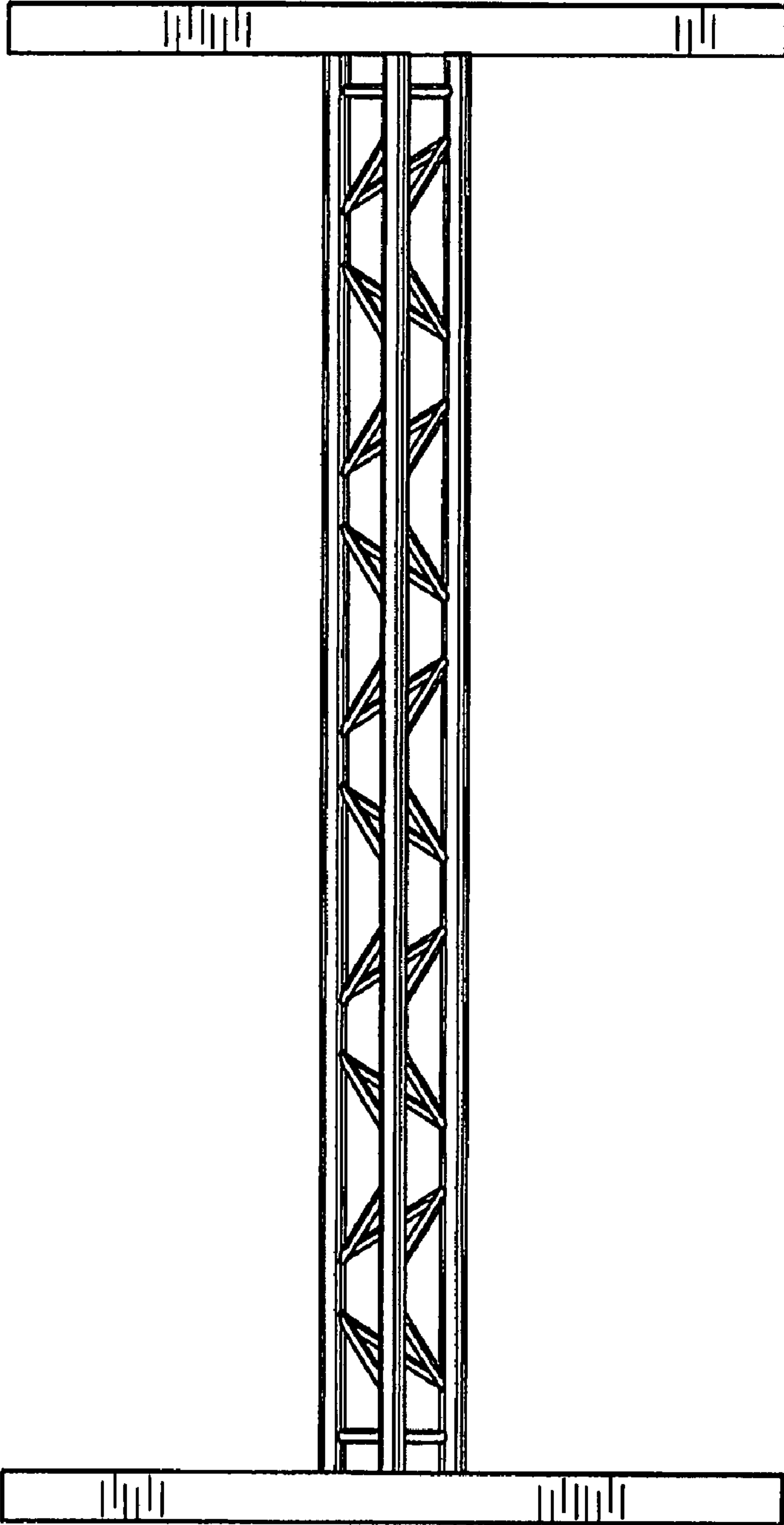


FIG. 2

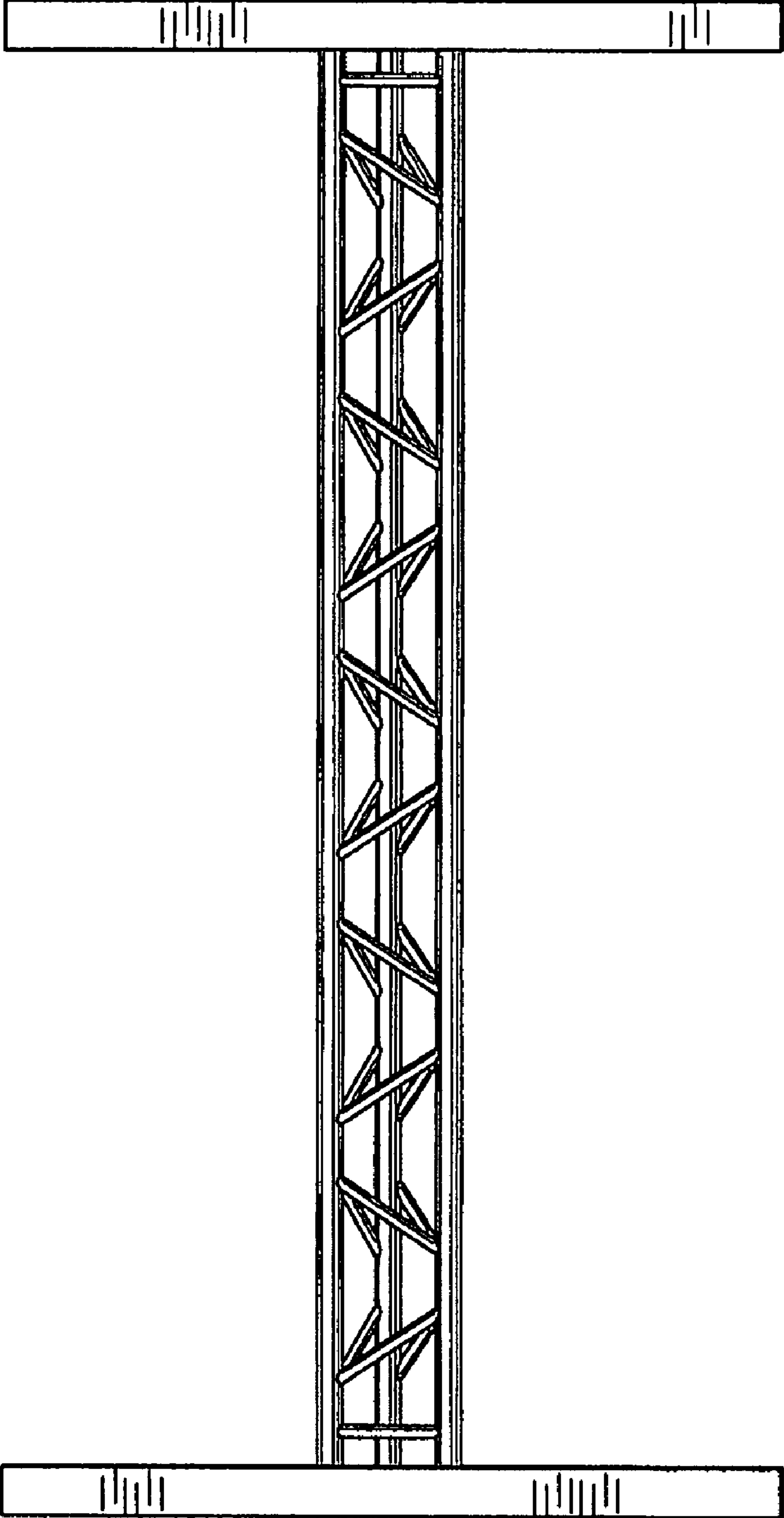


FIG. 3

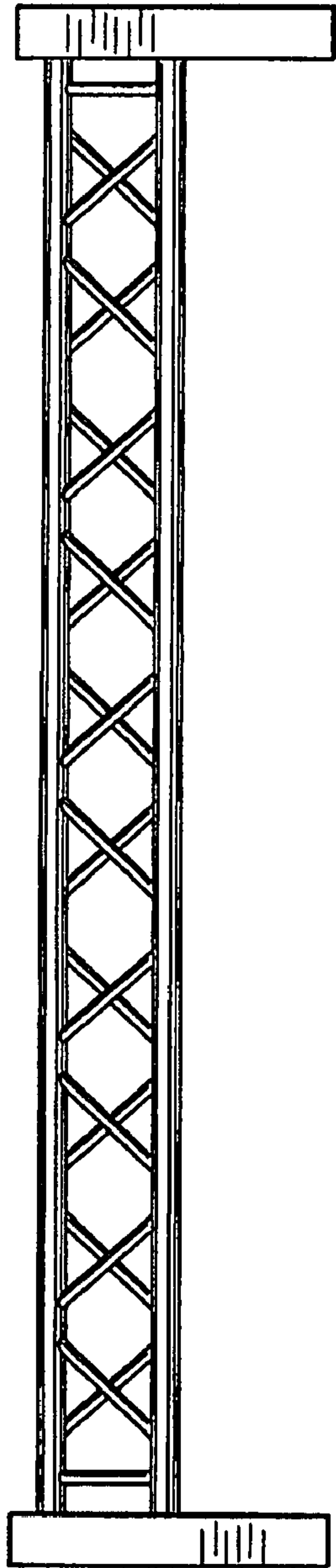


FIG. 4

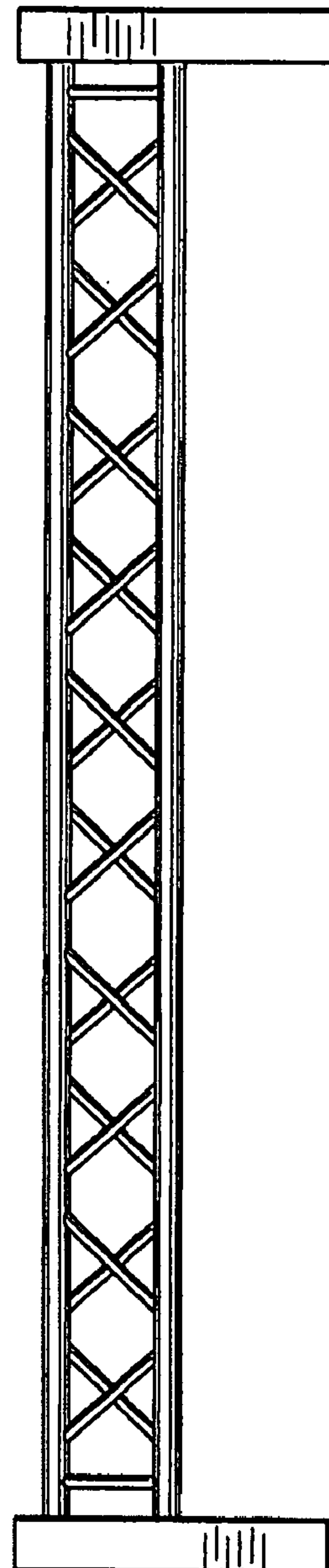


FIG. 6

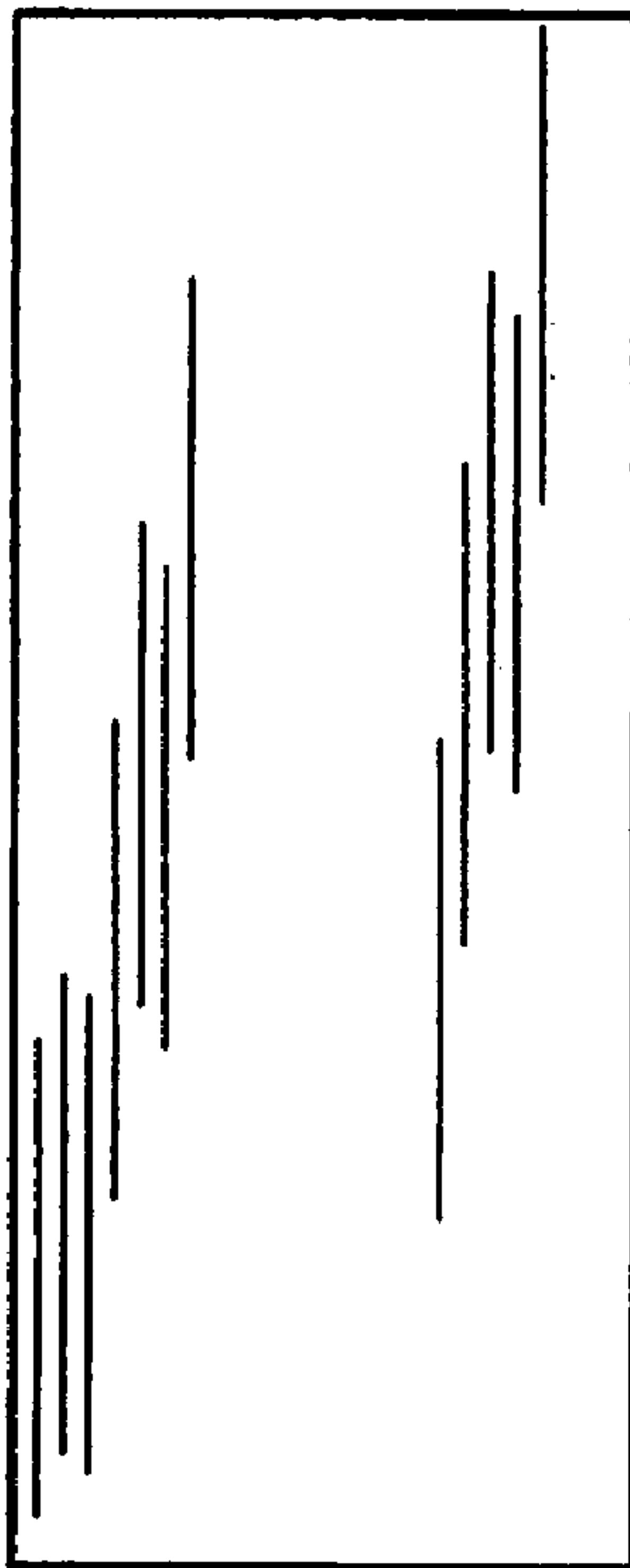


FIG. 5