



US00D554912S

(12) **United States Design Patent**
Scicluna et al.

(10) **Patent No.:** **US D554,912 S**

(45) **Date of Patent:** **** Nov. 13, 2007**

(54) **MODULAR SHELVING**

(75) Inventors: **Raymond Paul Scicluna**, Robina (AU);
Peter Leo Scicluna, Concord (AU)

(73) Assignee: **Trade Guys International Pty Ltd.**,
Burleigh Heads, Queensland (AU)

(**) Term: **14 Years**

(21) Appl. No.: **29/275,025**

(22) Filed: **Dec. 8, 2006**

(30) **Foreign Application Priority Data**

Jun. 8, 2006 (AU) 12492/06

(51) **LOC (8) Cl.** **06-04**

(52) **U.S. Cl.** **D6/492**

(58) **Field of Classification Search** D6/492,
D6/629, 408, 467-469, 473-479, 511; D9/341,
D9/344-345, 348; 108/59, 91, 93, 106, 147.12,
108/147.13; 211/41.1, 40, 50

See application file for complete search history.

(56) **References Cited**

U.S. PATENT DOCUMENTS

D321,291 S * 11/1991 Shoemaker et al. D6/407

D332,708 S * 1/1993 Schmidt et al. D6/407
D350,246 S * 9/1994 Louise et al. D6/479
D433,251 S * 11/2000 Blazeovich D6/467
6,164,461 A * 12/2000 Ward et al. 211/41.1
D478,942 S * 8/2003 Goltz D21/392
D485,466 S * 1/2004 Haruhiro D6/629
D490,260 S * 5/2004 Bowen D6/511
D502,626 S * 3/2005 Georgiadis et al. D6/629

* cited by examiner

Primary Examiner—Elizabeth A. Albert

Assistant Examiner—Kelley A. Donnelly

(74) *Attorney, Agent, or Firm*—Workman Nydegger

(57) **CLAIM**

The ornamental design for a modular shelving, as shown and described.

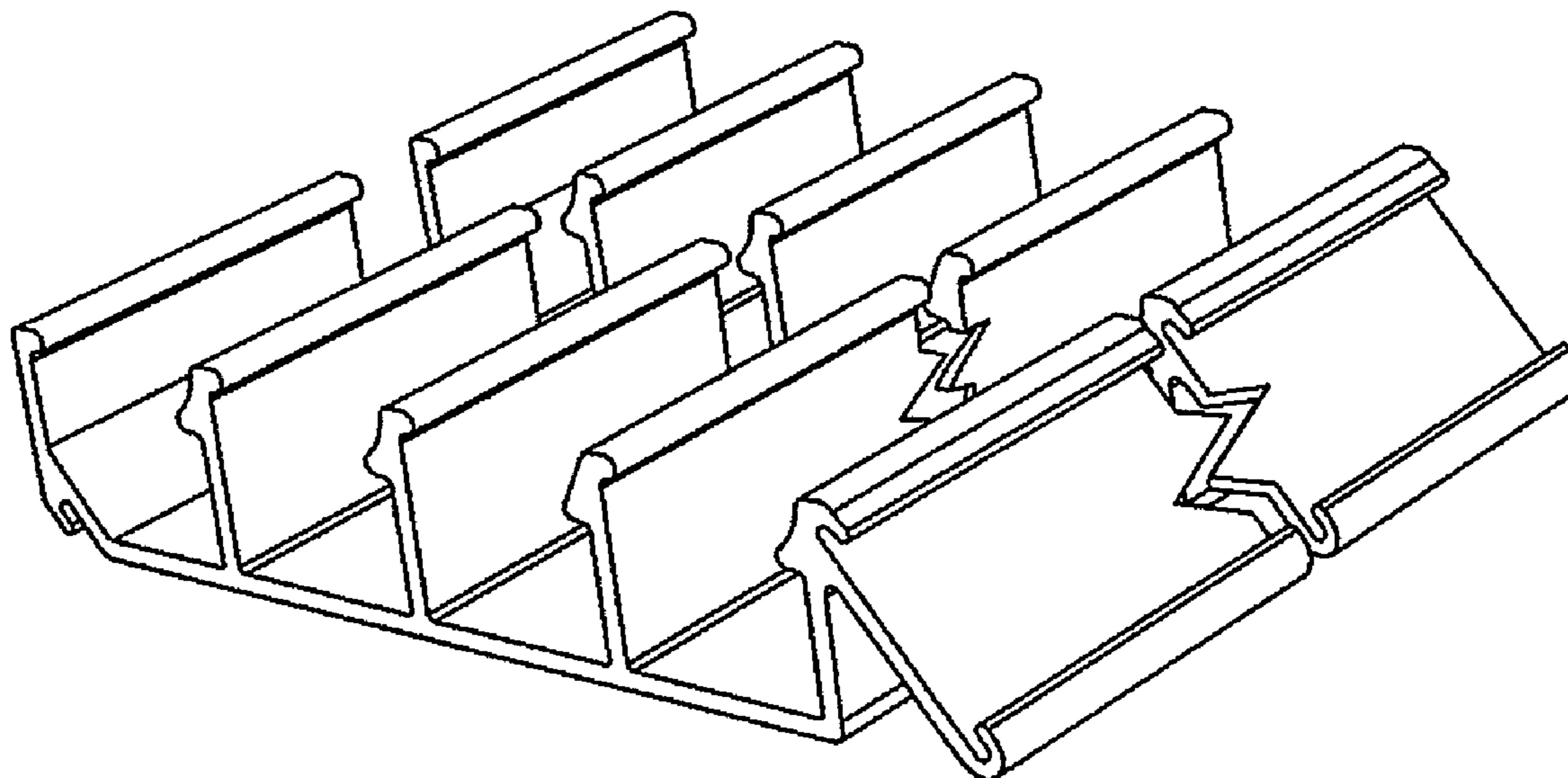
DESCRIPTION

FIG. 1 is an elevated side view of a modular shelving showing our new design;

FIG. 2 is a top perspective view thereof, the shelving being broken-away indicating no particular length is claimed; and,

FIG. 3 is a rear underside perspective view thereof.

1 Claim, 1 Drawing Sheet



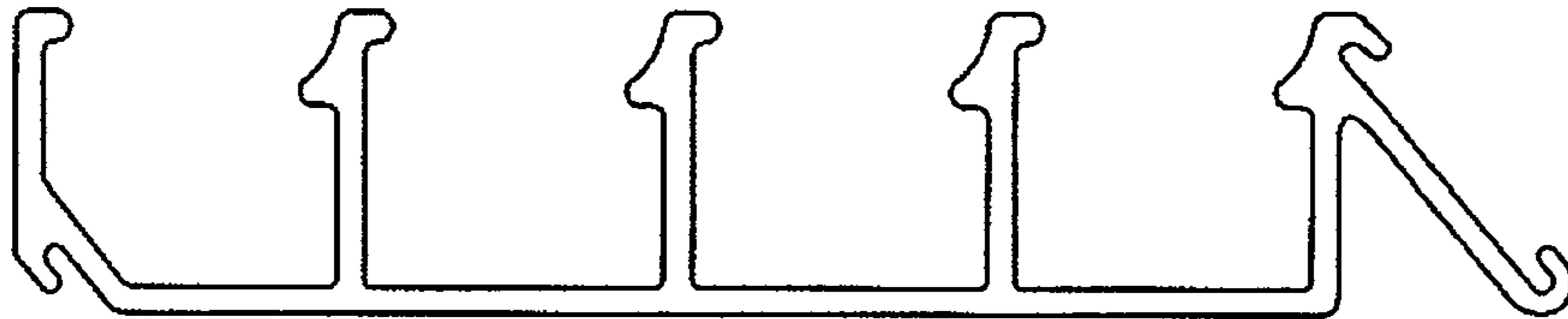


FIG. 1

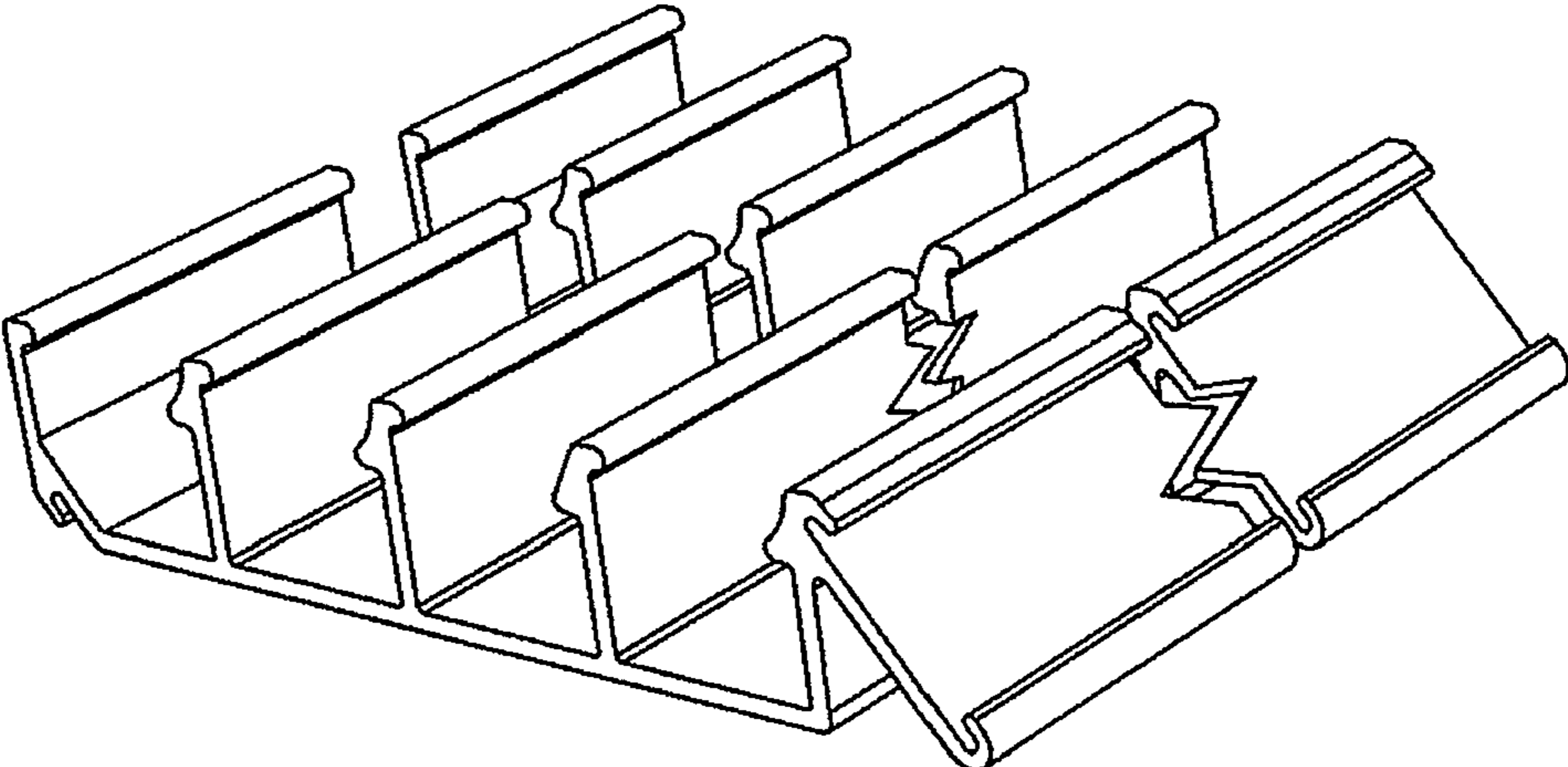


FIG. 2

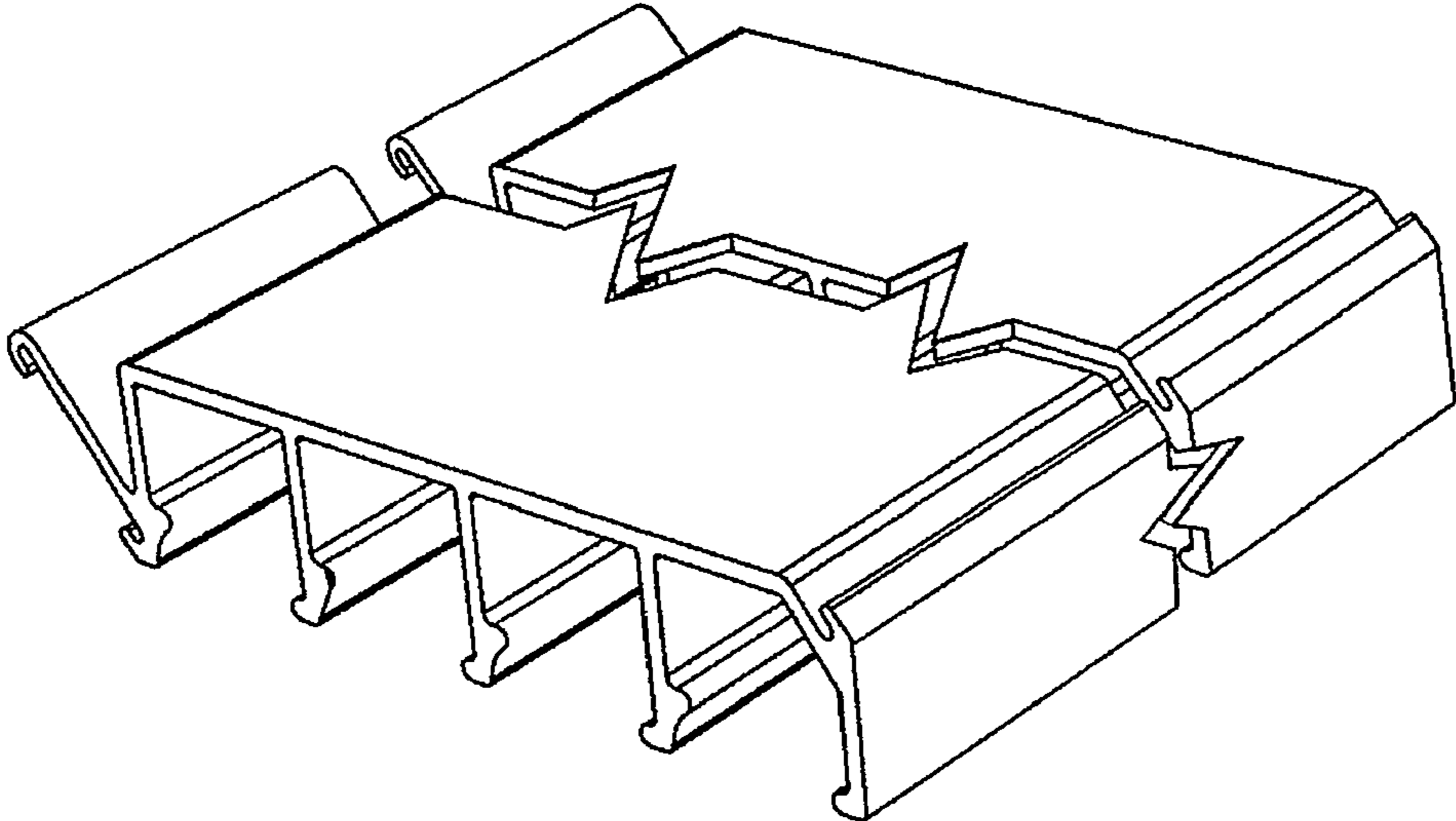


FIG. 3