



US00D554911S

(12) **United States Design Patent**
Chang

(10) **Patent No.:** **US D554,911 S**

(45) **Date of Patent:** **** Nov. 13, 2007**

(54) **ALUMINUM RAIL FOR A WORKTABLE**

(76) **Inventor:** **Pin-Feng Chang**, 16-1, Lane 884, San Feng Rd., Feng Yuan, Taichung Hsien (TW)

(**) **Term:** **14 Years**

(21) **Appl. No.:** **29/223,895**

(22) **Filed:** **Feb. 22, 2005**

(51) **LOC (8) Cl.** **06-06**

(52) **U.S. Cl.** **D6/491; D25/122**

(58) **Field of Classification Search** D6/491, D6/396, 397, 418, 421, 495, 509, 511; D25/58, D25/122, 123, 126, 119, 120; 52/239, 27, 52/36.1, 36.4; 211/153, 87.01, 189
See application file for complete search history.

(56) **References Cited**

U.S. PATENT DOCUMENTS

- 3,513,606 A * 5/1970 Jones 52/27
- 3,534,517 A * 10/1970 Kann 52/239
- 3,605,137 A * 9/1971 Stollenwerk 5/625
- 3,966,342 A * 6/1976 Moriya 403/256
- D244,777 S * 6/1977 Bobrovniczky D25/120
- D269,237 S * 6/1983 Burdick D6/495
- D318,130 S * 7/1991 Abbestam et al. D25/122
- D336,345 S * 6/1993 Fasth et al. D25/126
- D363,997 S * 11/1995 Nomura D25/122
- D370,423 S * 6/1996 Nagai et al. D10/94
- D373,832 S * 9/1996 Nomura D25/122
- D383,926 S * 9/1997 Spector D6/495
- D386,330 S * 11/1997 Russell D6/495
- D386,702 S * 11/1997 Nagai et al. D10/94
- 5,690,239 A * 11/1997 Ballard 211/189

- D395,525 S * 6/1998 Rinot et al. D25/122
- 6,142,321 A * 11/2000 West 211/153
- 6,216,397 B1 * 4/2001 Chang 52/36.1
- 6,493,995 B2 * 12/2002 McKenzie 52/36.4
- D484,336 S * 12/2003 Hansen et al. D6/491
- 6,726,034 B2 * 4/2004 Holbrook et al. 211/87.01
- D497,211 S * 10/2004 Strassle D25/126
- D526,068 S * 8/2006 Schlangen et al. D25/119
- D533,738 S * 12/2006 Berg et al. D6/492
- 2002/0020120 A1 * 2/2002 McKenzie 52/36.4
- 2002/0023391 A1 * 2/2002 Nymark 52/36.4

* cited by examiner

Primary Examiner—Caron D. Veynar

Assistant Examiner—Sydney R. Buffalow

(74) *Attorney, Agent, or Firm*—Alan Kamrath; Kamrath & Associates PA

(57) **CLAIM**

The ornamental design for an aluminum rail for a worktable, as shown and described.

DESCRIPTION

FIG. 1 is a perspective view of an aluminum rail for a worktable showing my design;

FIG. 2 is a front elevational view thereof;

FIG. 3 is a rear elevational view thereof;

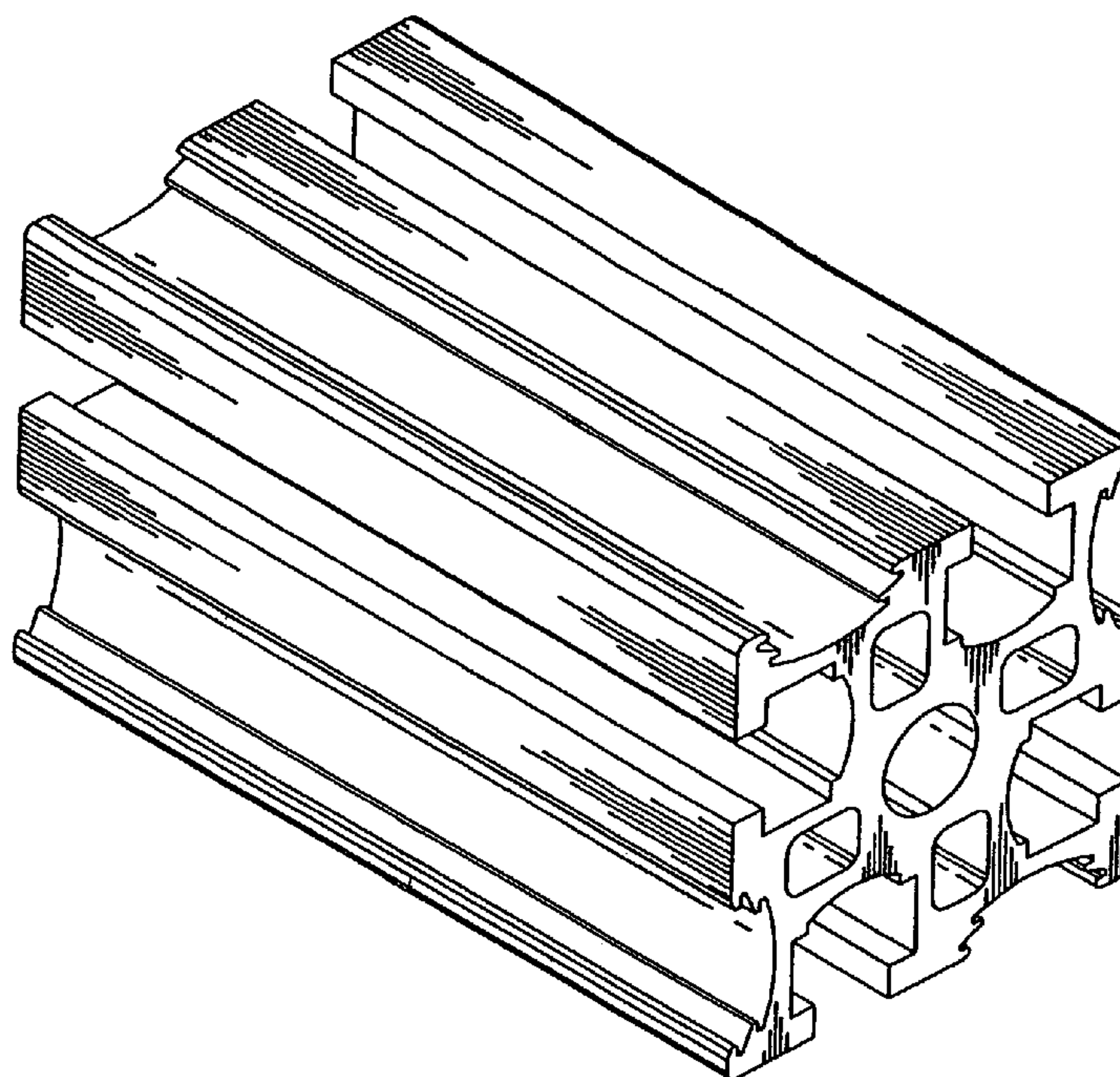
FIG. 4 is a left side elevational view thereof;

FIG. 5 is a right side elevational view thereof;

FIG. 6 is a top plan view thereof; and,

FIG. 7 is a bottom plan view thereof.

1 Claim, 5 Drawing Sheets



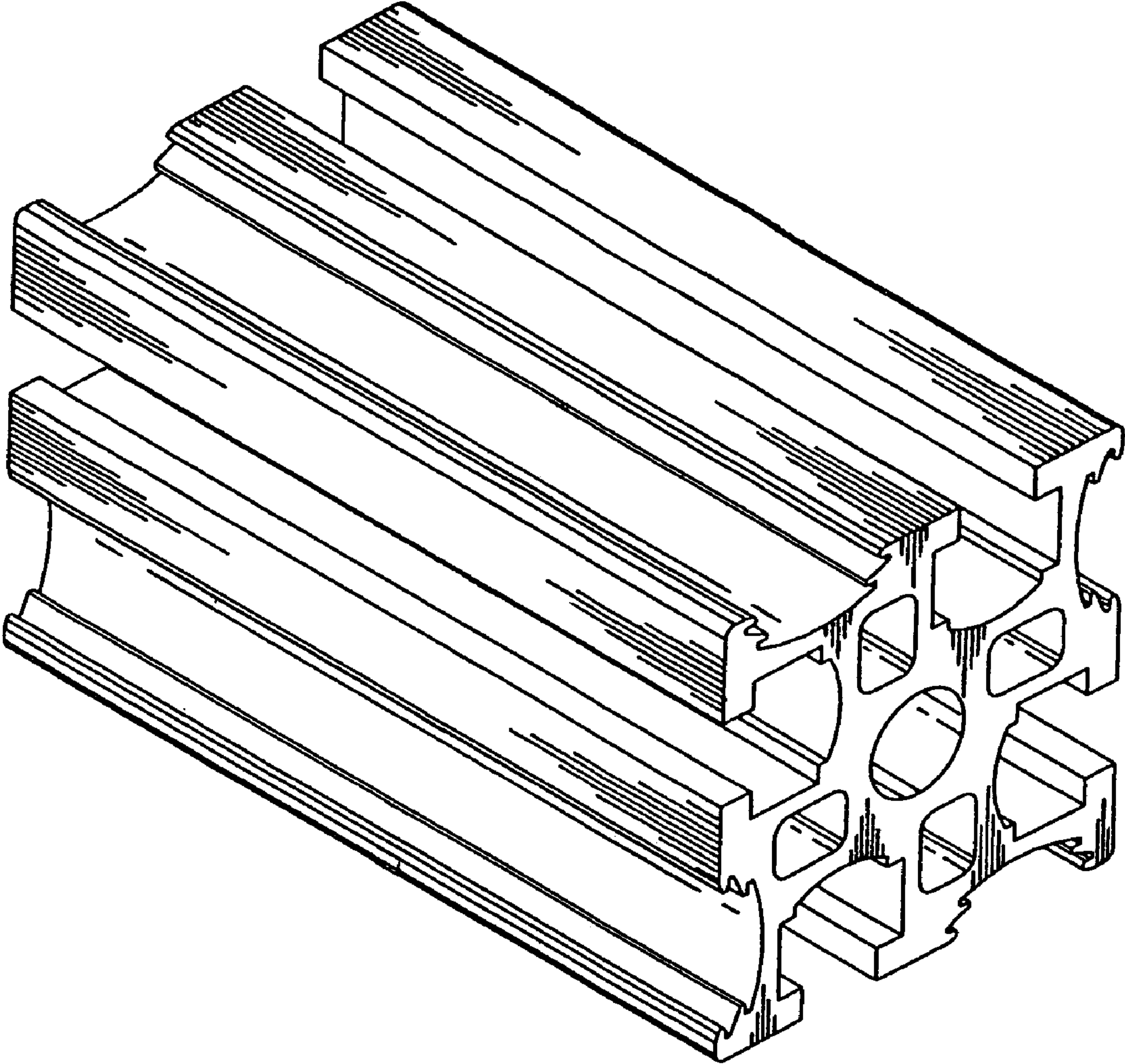


FIG. 1

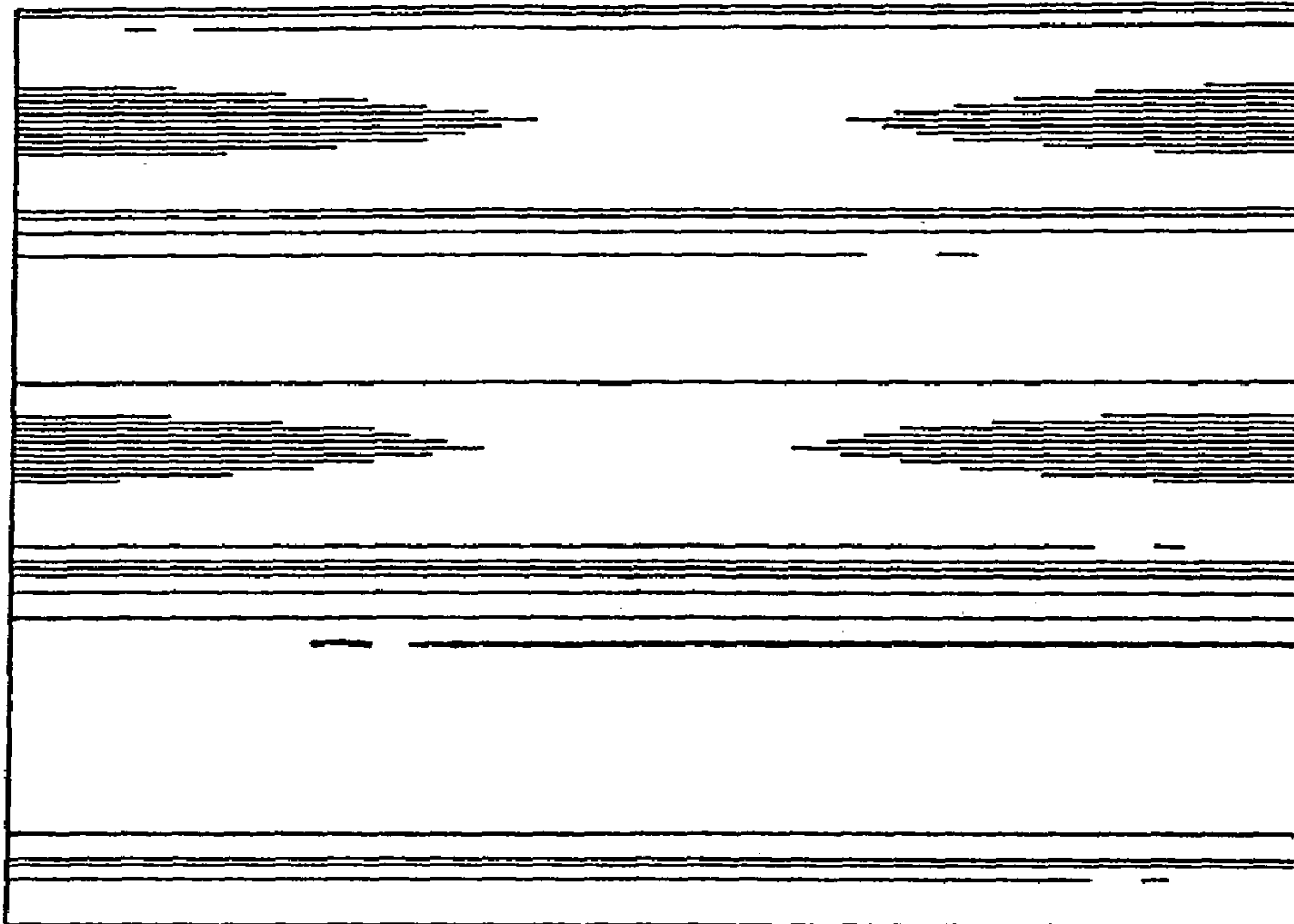


FIG. 2

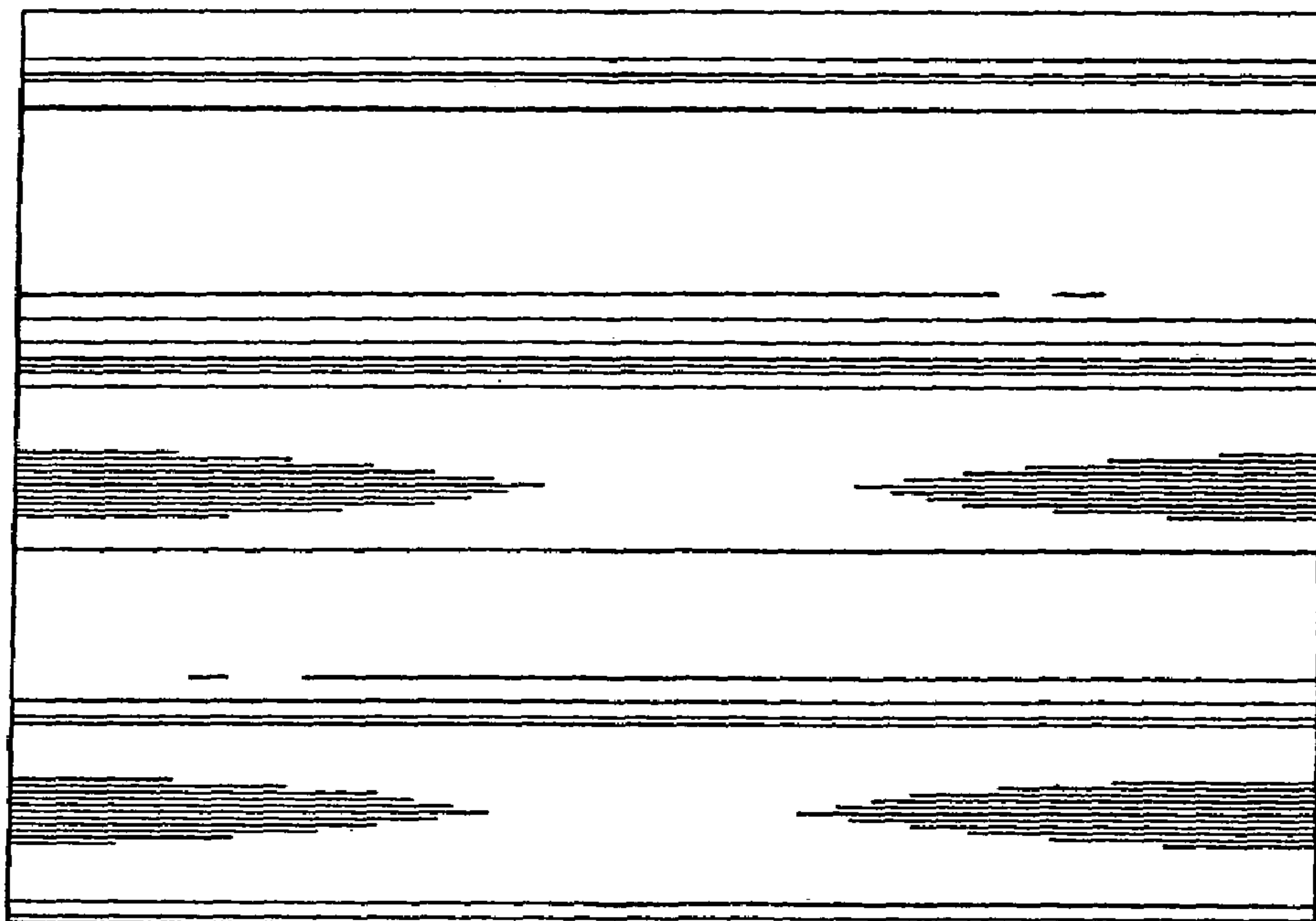


FIG. 3

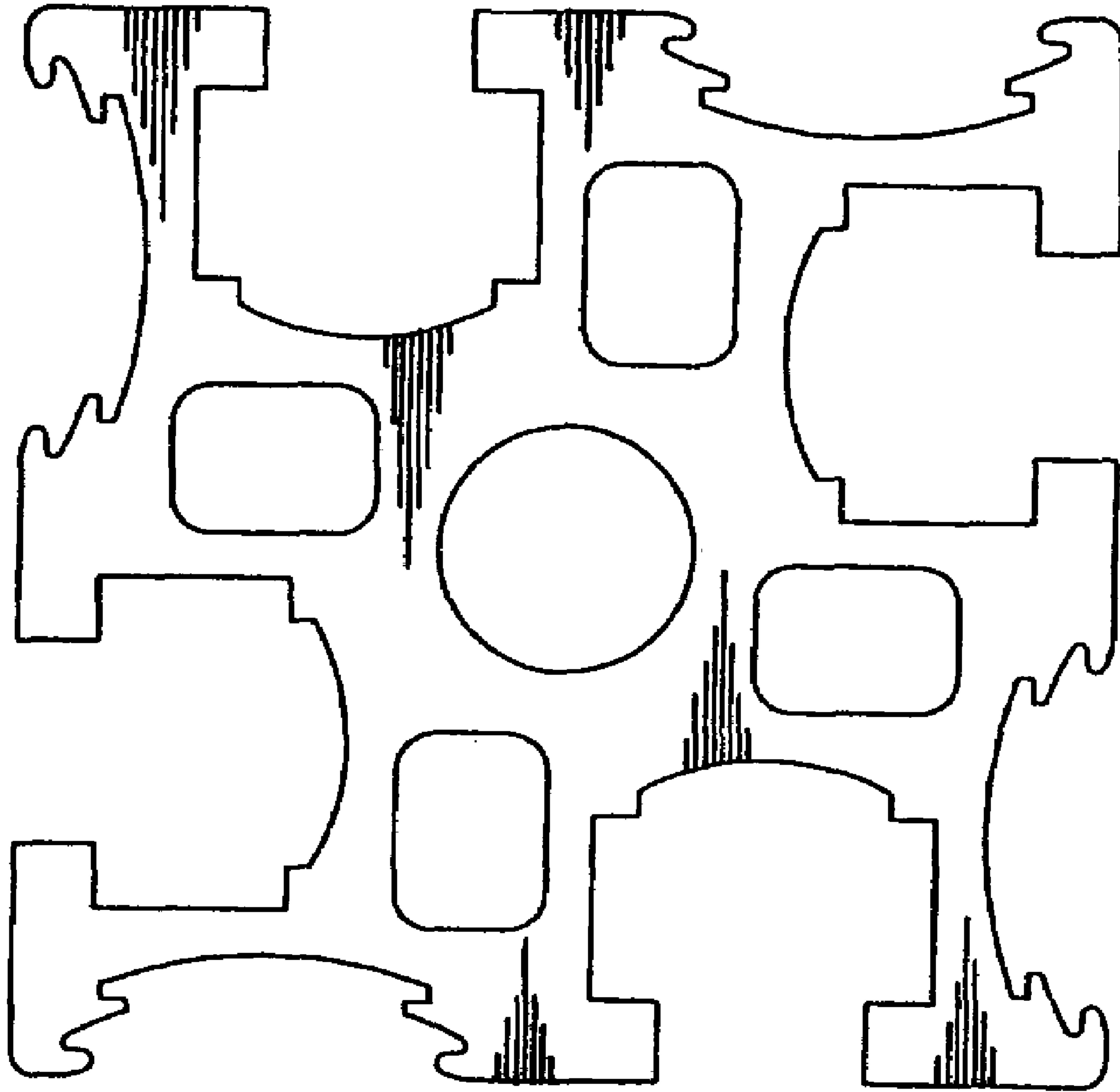


FIG. 4

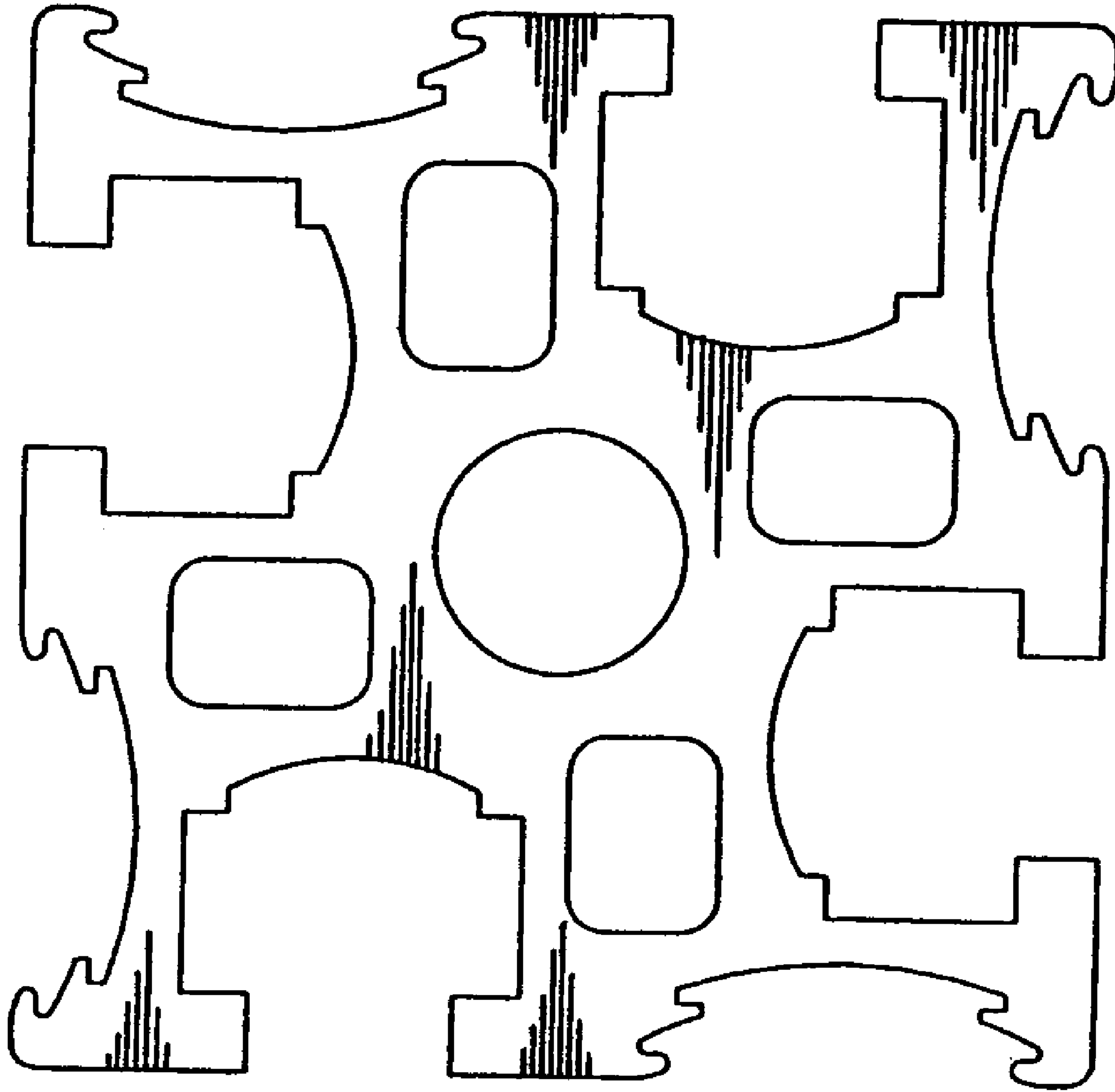


FIG. 5

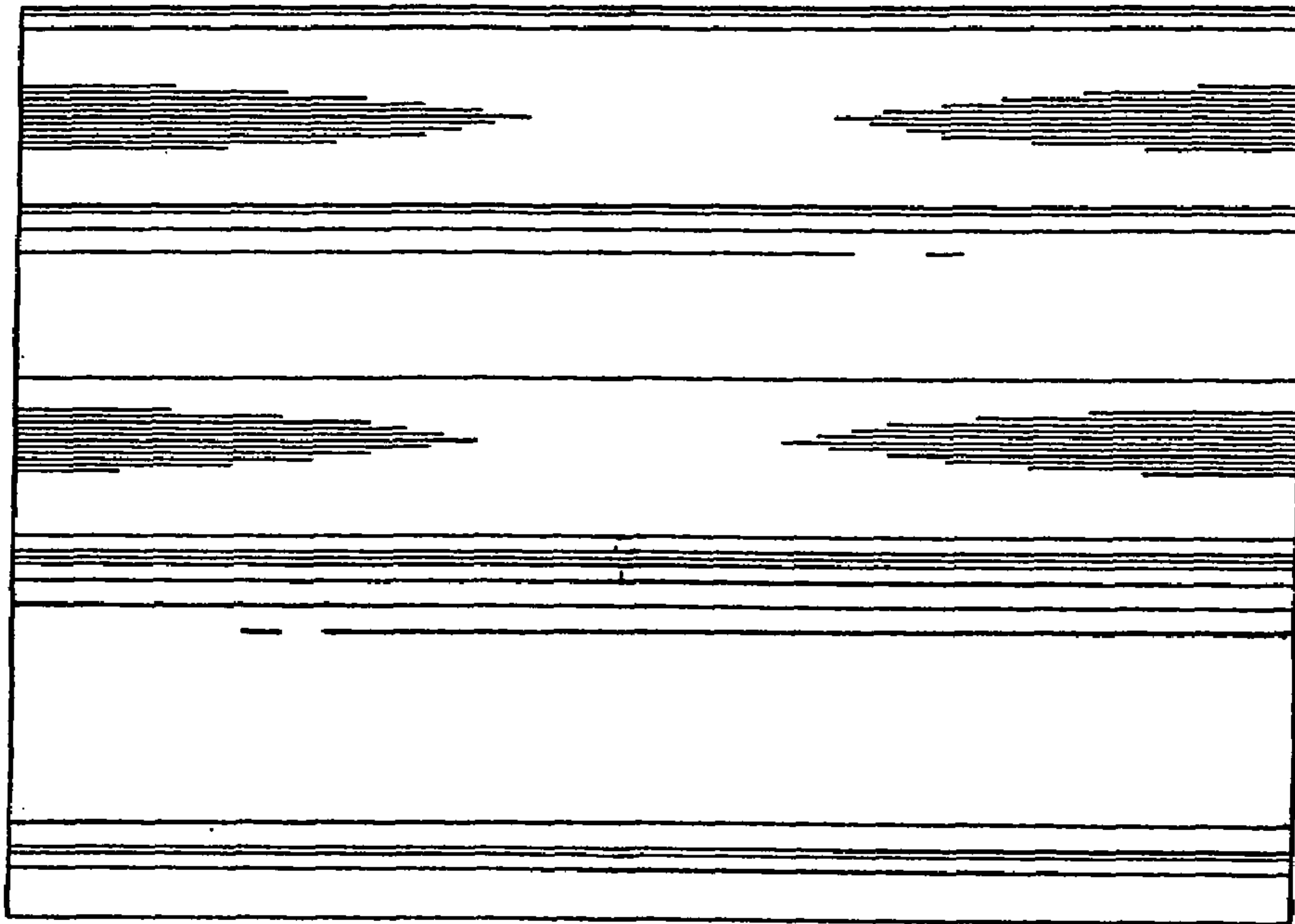


FIG. 6

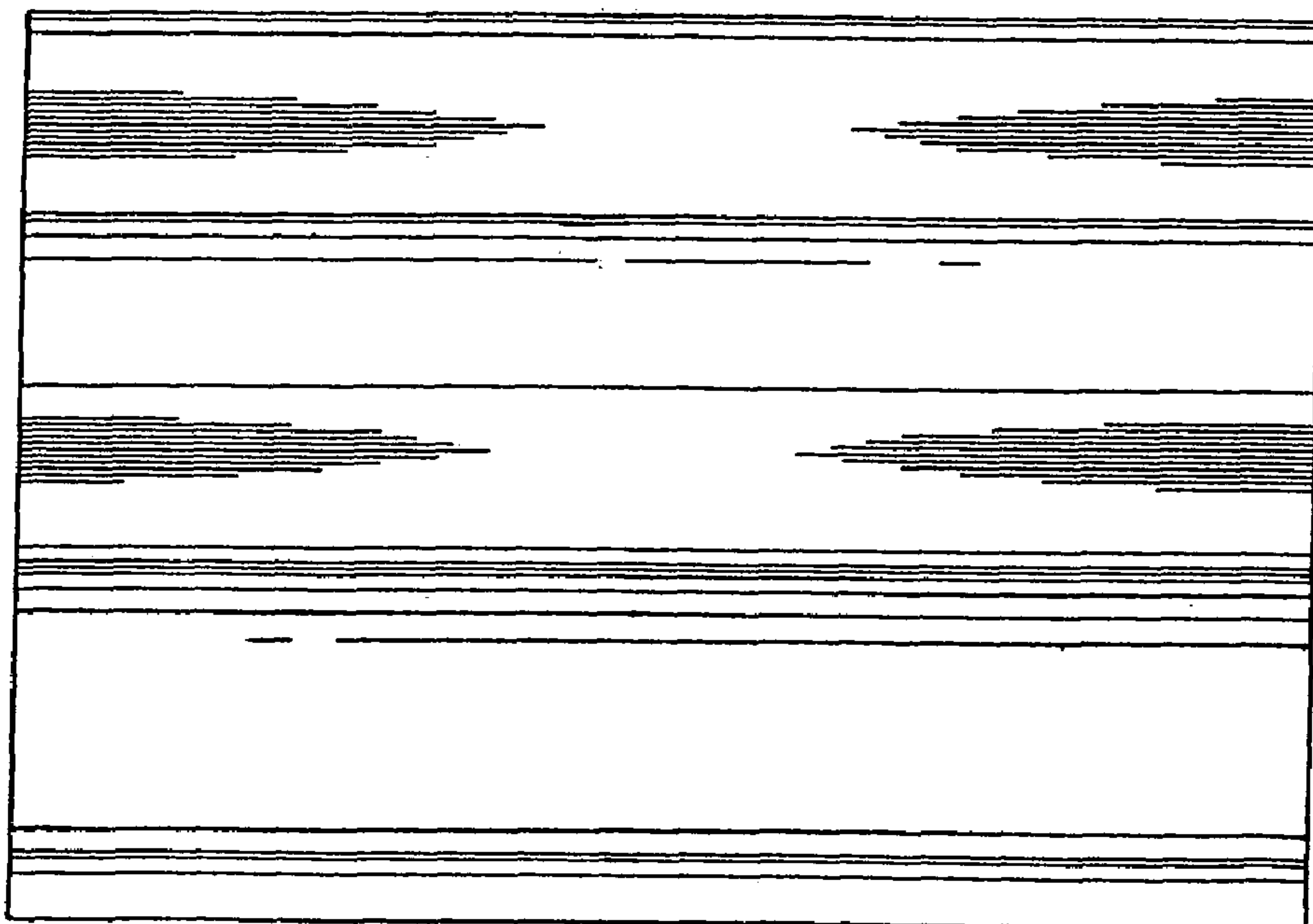


FIG. 7