



US00D554903S

(12) **United States Design Patent**
Raile

(10) **Patent No.:** **US D554,903 S**

(45) **Date of Patent:** **** Nov. 13, 2007**

(54) **EYEGLASS DISPLAY**

(75) Inventor: **Bruce Raile**, Park City, UT (US)

(73) Assignee: **Sun Optics, Inc.**, Salt Lake City, UT (US)

(**) Term: **14 Years**

(21) Appl. No.: **29/246,909**

(22) Filed: **May 19, 2006**

3,857,482 A	12/1974	Shelton
3,866,800 A	2/1975	Schmitt
4,000,810 A	1/1977	Leblanc
D245,118 S	7/1977	Heaton
4,204,602 A	5/1980	Dunchock
D267,992 S	2/1983	Shelton
D275,160 S	8/1984	Shelton
D275,161 S	8/1984	Shelton
4,572,366 A	2/1986	Carson
4,614,272 A	9/1986	Shelton et al.
4,715,575 A	12/1987	Kamerer
4,733,775 A	3/1988	Fireman
4,744,461 A	5/1988	Lapham

Related U.S. Application Data

(Continued)

(63) Continuation of application No. 29/227,263, filed on Apr. 8, 2005.

(51) **LOC (8) Cl.** **06-04**

(52) **U.S. Cl.** **D6/469**

(58) **Field of Classification Search** D6/469,
D6/467, 466, 534, 528; 211/85.1, 85.13,
211/85.4, 60.1, 62, 69.1, 70.3, 70.4, 70.6,
211/70.7, 70.8, 107, 49.1, 63, 75, 87.01, 90.04,
211/70.1, 89.01; D19/60; D24/234, 227,
D24/224; D20/10

See application file for complete search history.

FOREIGN PATENT DOCUMENTS

DE 3815889 11/1989

Primary Examiner—Janice E. Seeger

Assistant Examiner—Sydney R. Buffalow

(74) *Attorney, Agent, or Firm*—Workman-Nydegger

(57) **CLAIM**

The ornamental for an eyeglass display, as shown and described.

DESCRIPTION

FIG. 1 is a perspective view of an eyeglass display in accordance with the present invention;

FIG. 2 is a top plan view of the eyeglass display as shown in FIG. 1;

FIG. 3 is a front elevational view of the eyeglass display shown in FIG. 1;

FIG. 4 is a bottom plan view of the eyeglass display as shown in FIG. 1;

FIG. 5 is a back elevational view of the eyeglass display as shown in FIG. 1; and,

FIG. 6 is a left side elevational view of the eyeglass display as shown in FIG. 1, with the right side being a mirror image thereof.

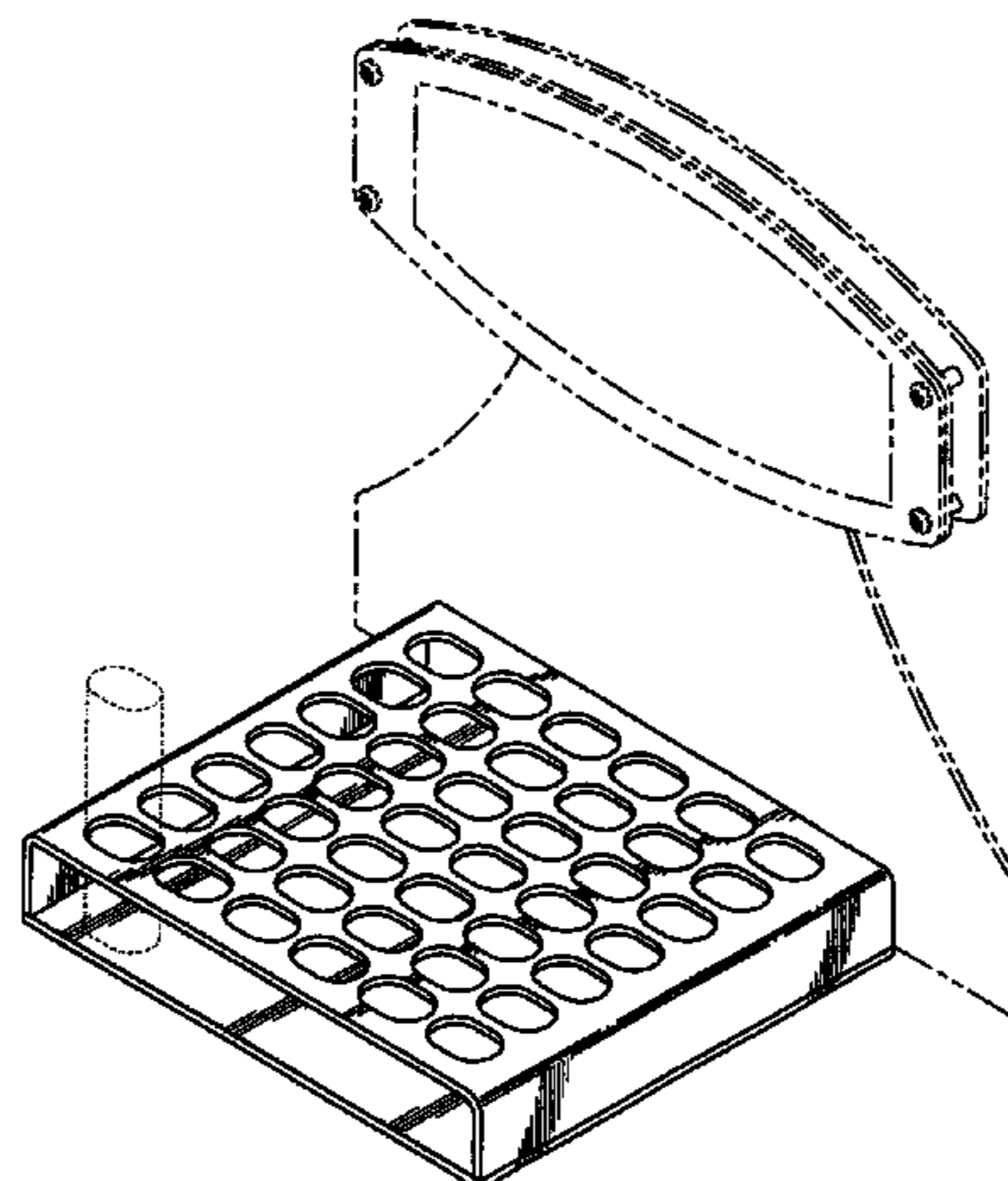
The broken lines are for illustrative purposes only and form no part of the claimed design.

1 Claim, 4 Drawing Sheets

(56) **References Cited**

U.S. PATENT DOCUMENTS

1,092,156 A	4/1914	Mathis
2,209,657 A	7/1940	Martin
2,606,708 A	8/1952	Irvan
2,713,947 A	7/1955	Foster
2,735,597 A	2/1956	Treleven
2,747,760 A	5/1956	Jacobson
2,816,666 A	12/1957	Nadel
RE24,571 E	11/1958	Nadel
2,936,897 A	5/1960	Bloch
2,966,271 A	12/1960	Nadel
D201,017 S	5/1965	Pohmann
3,333,709 A	8/1967	Leblanc et al.
D208,469 S	9/1967	Parker
3,357,568 A	12/1967	Leblanc et al.
3,593,856 A	7/1971	Zander
3,817,392 A	6/1974	Bloch



US D554,903 S

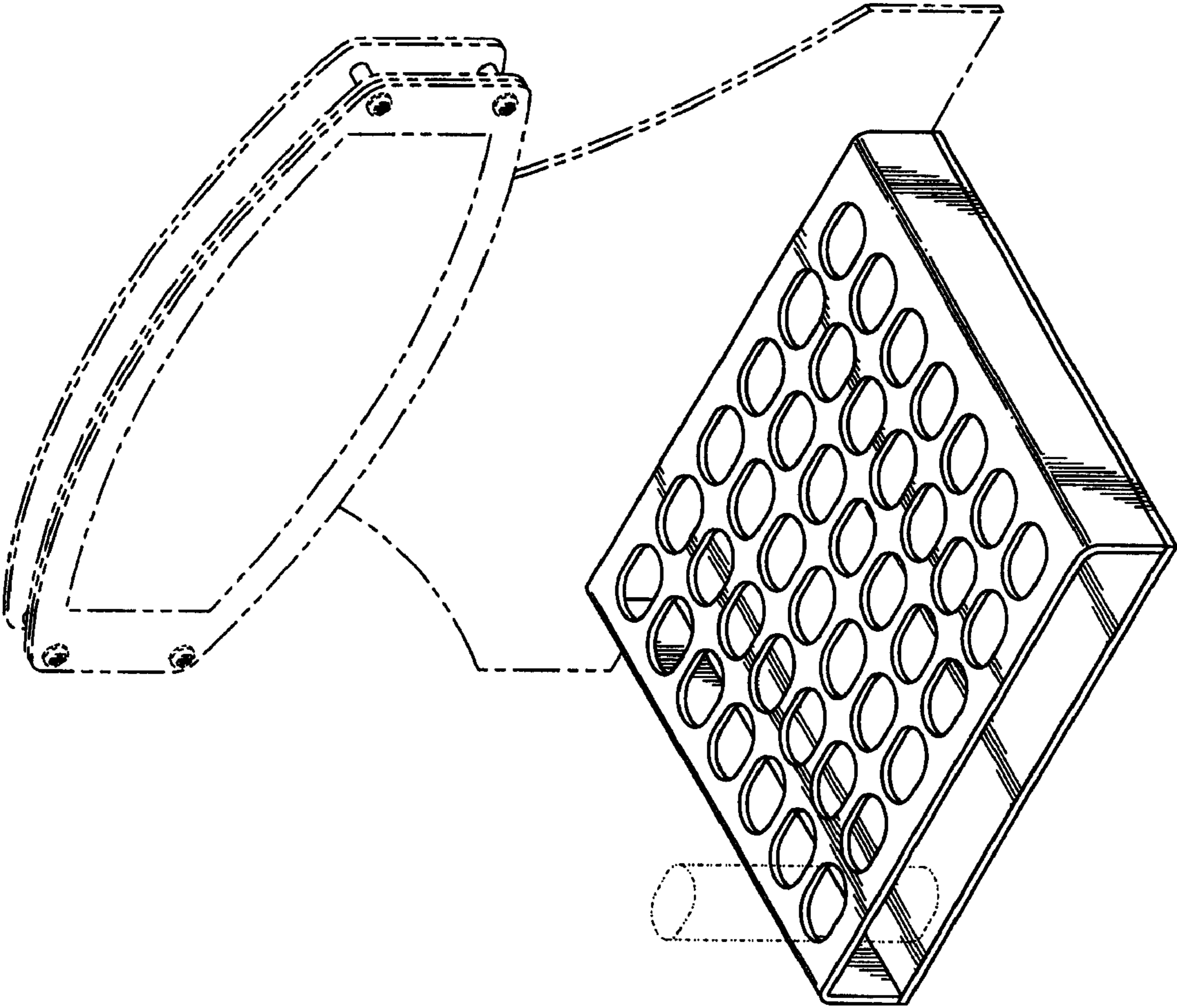
Page 2

U.S. PATENT DOCUMENTS

D301,575 S	*	6/1989	Crawford, Jr.	D13/119	D400,373 S	11/1998	Thoesen	
4,907,705 A		3/1990	Waldeck		5,860,358 A	1/1999	Shriver	
D323,441 S		1/1992	Waldeck		5,929,967 A	7/1999	Conner	
5,141,117 A		8/1992	Olsen et al.		5,949,515 A	9/1999	Hoshino	
D332,442 S	*	1/1993	Simpson, Sr.	D13/119	5,996,818 A	* 12/1999	Boje et al. 211/74	
D332,664 S	*	1/1993	Sincock	D24/227	D420,533 S	2/2000	Pugatch	
D336,181 S		6/1993	Muniz		D438,632 S	* 3/2001	Miller	D24/224
D338,965 S	*	8/1993	Glanz et al.	D24/226	D440,256 S	4/2001	Wang	
D359,126 S	*	6/1995	Hovatter	D24/227	D448,854 S	* 10/2001	Kuiper et al.	D24/230
5,423,419 A		6/1995	Wentz et al.		6,382,407 B1	5/2002	Chao	
D360,321 S	*	7/1995	Wang et al.	D6/469	6,415,915 B1	7/2002	Grossman	
5,501,321 A		3/1996	Liu		D461,554 S	* 8/2002	Lafond et al.	D24/230
D369,415 S	*	4/1996	Boulton et al.	D24/224	6,491,158 B2	12/2002	Chen	
D369,466 S		5/1996	Jannard et al.		6,626,287 B1	9/2003	Watson	
5,514,343 A	*	5/1996	Verwohlt et al.	422/104	D496,541 S	9/2004	Wang	
5,568,872 A		10/1996	Hinnant, Sr.		6,789,664 B1	9/2004	Chao	
D381,515 S	*	7/1997	Haynes	D3/313	D504,550 S	* 4/2005	Setcer, Jr.	D99/34
D387,874 S	*	12/1997	Vila	D24/227	6,929,116 B2	8/2005	Chao et al.	
D393,543 S	*	4/1998	Wilkening et al.	D3/313	2003/0111361 A1	6/2003	Fischer et al.	

* cited by examiner

Fig. 1



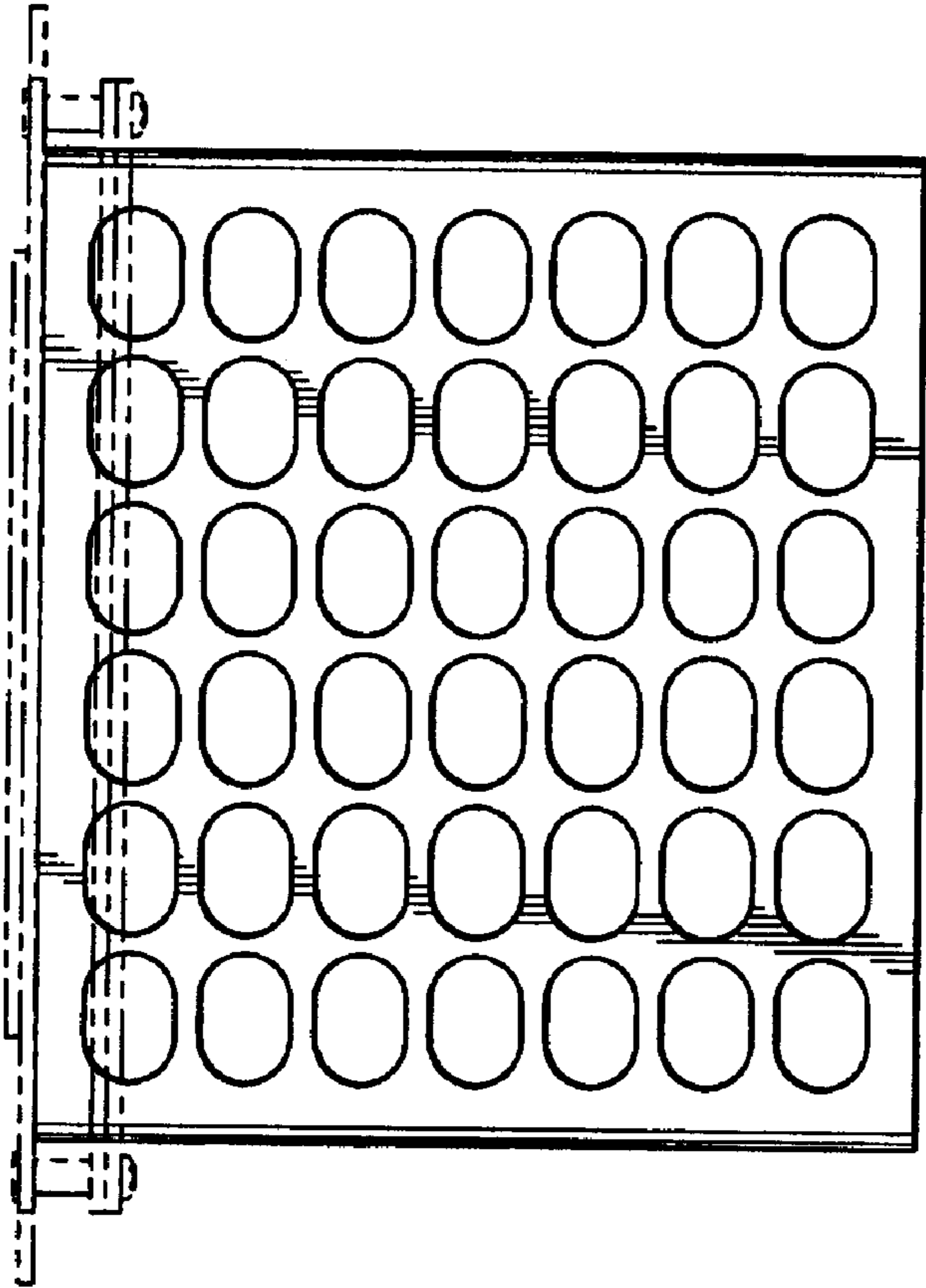


Fig. 2

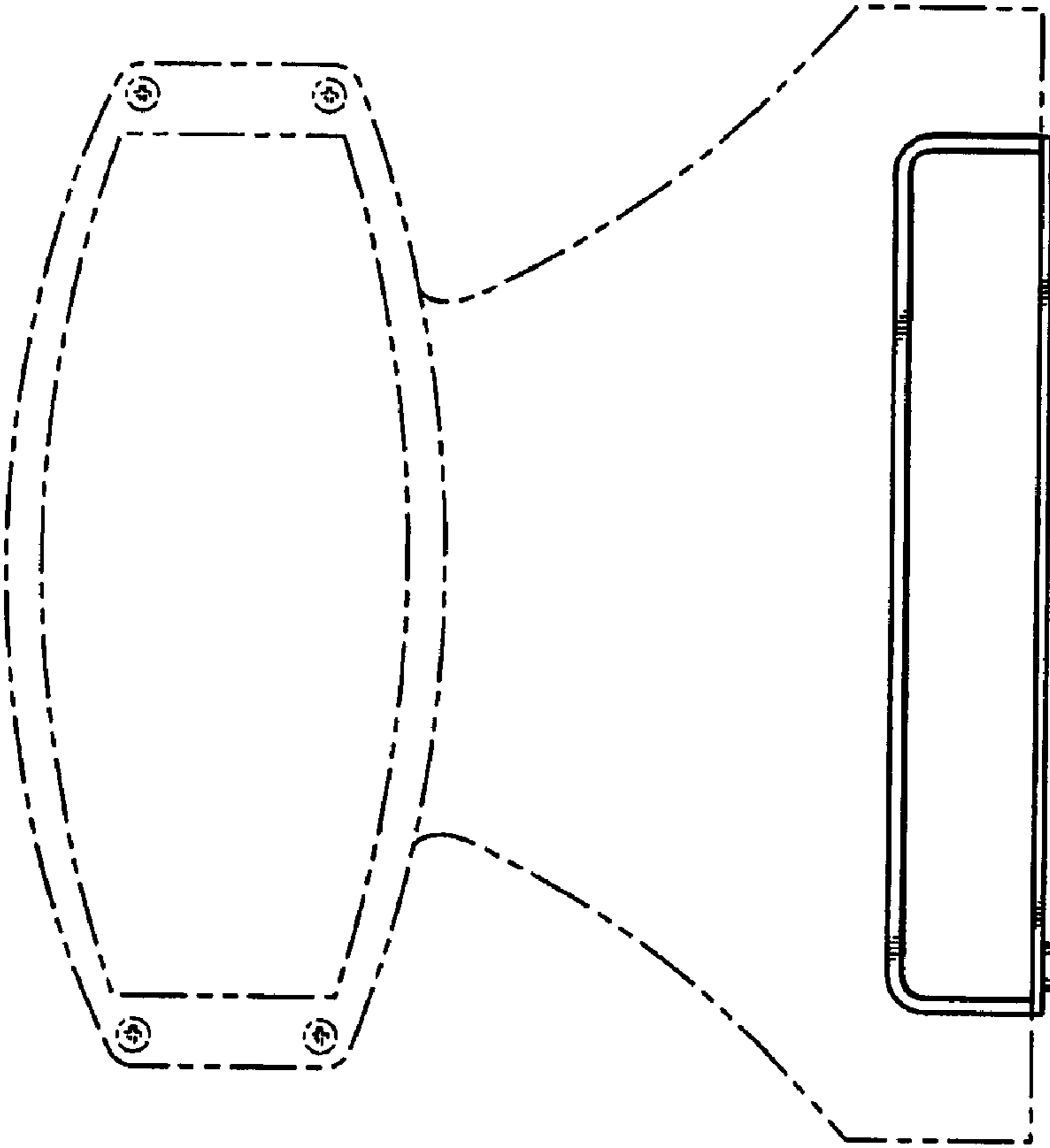


Fig. 3

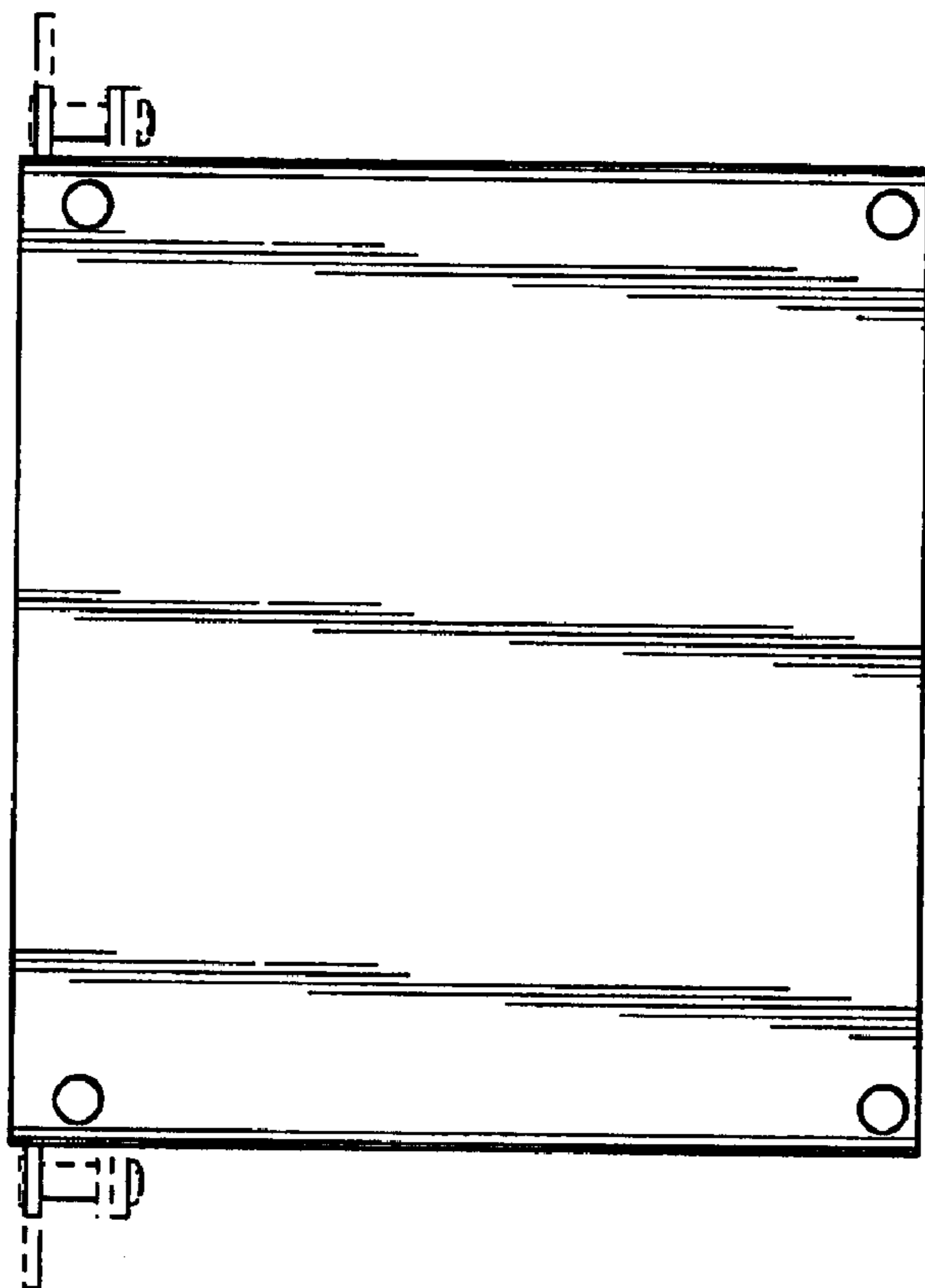


Fig. 4

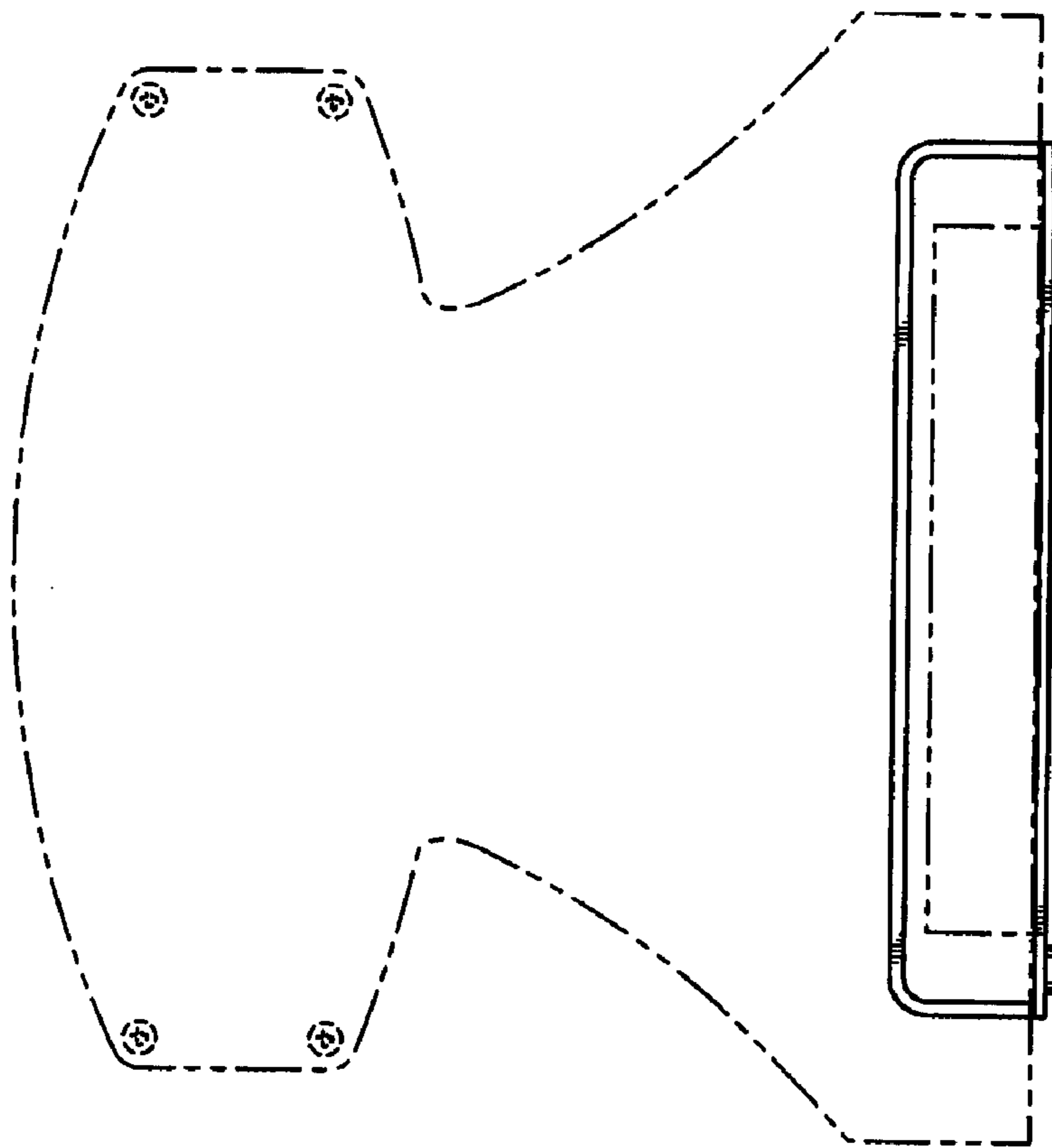


Fig. 5

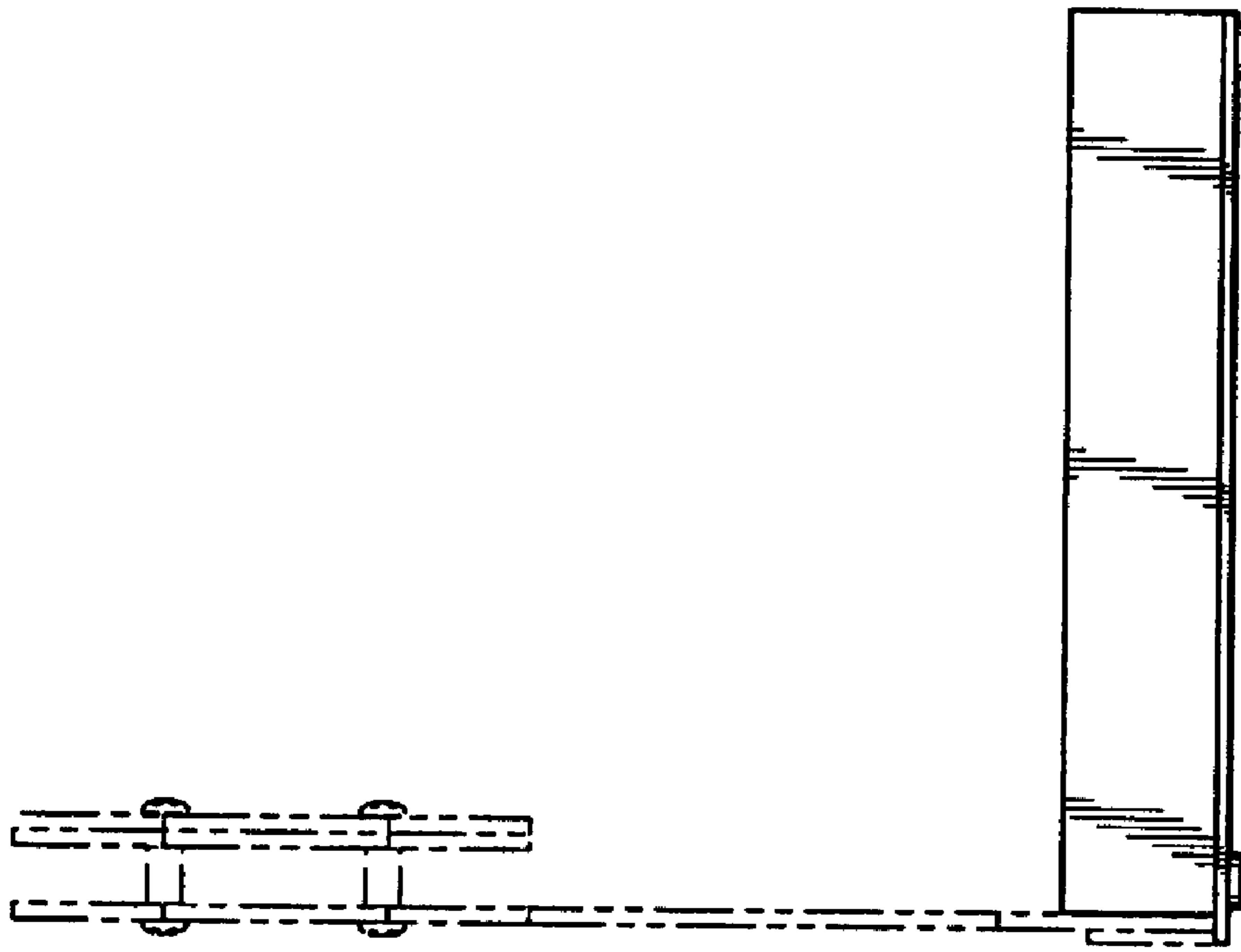


Fig. 6