



US00D554902S

(12) **United States Design Patent**
Austin, Jr.

(10) **Patent No.:** **US D554,902 S**

(45) **Date of Patent:** **** Nov. 13, 2007**

(54) **WINE DISPLAY BOX**

(76) **Inventor:** **John E. Austin, Jr.**, 185 Widgeon Dr.,
Eastham, MA (US) 02642

(**) **Term:** **14 Years**

(21) **Appl. No.:** **29/231,883**

(22) **Filed:** **Jun. 13, 2005**

(51) **LOC (8) Cl.** **06-04**

(52) **U.S. Cl.** **D6/469**

(58) **Field of Classification Search** D6/469,
D6/449, 463, 408, 466-468, 475, 476; D27/183,
D27/184, 186; 220/507; D20/19; 211/1,
211/13.1, 60.1, 70.3, 85.26; 206/256; 248/176.1,
248/174; D25/119

See application file for complete search history.

(56) **References Cited**

U.S. PATENT DOCUMENTS

42,943 A	5/1864	Hance
570,972 A	11/1896	Wallis
731,710 A	6/1903	Renken
1,546,983 A	7/1925	House
2,233,813 A	3/1941	Grossman
2,498,956 A	2/1950	Johnson
2,604,868 A	7/1952	Shearer
2,837,216 A	6/1958	Paige
2,928,200 A	3/1960	Shiels
3,300,055 A	1/1967	Rohr

3,491,894 A	1/1970	Brown	
3,774,774 A	11/1973	Menkel	
D336,181 S *	6/1993	Muniz D6/467
D416,405 S *	11/1999	Thoesen D6/469
D420,533 S *	2/2000	Pugatch D6/469
6,361,129 B1	3/2002	Borgen	
D456,911 S *	5/2002	Janesky D25/119

* cited by examiner

Primary Examiner—Caron D. Veynar

Assistant Examiner—Sydney R. Buffalow

(74) *Attorney, Agent, or Firm*—John P. McGonagle

(57) **CLAIM**

The ornamental design for a wine display box, as shown and described.

DESCRIPTION

FIG. 1 is a front perspective view of the wine display box showing my new design.

FIG. 2 is a rear perspective view thereof;

FIG. 3 is a rear view thereof;

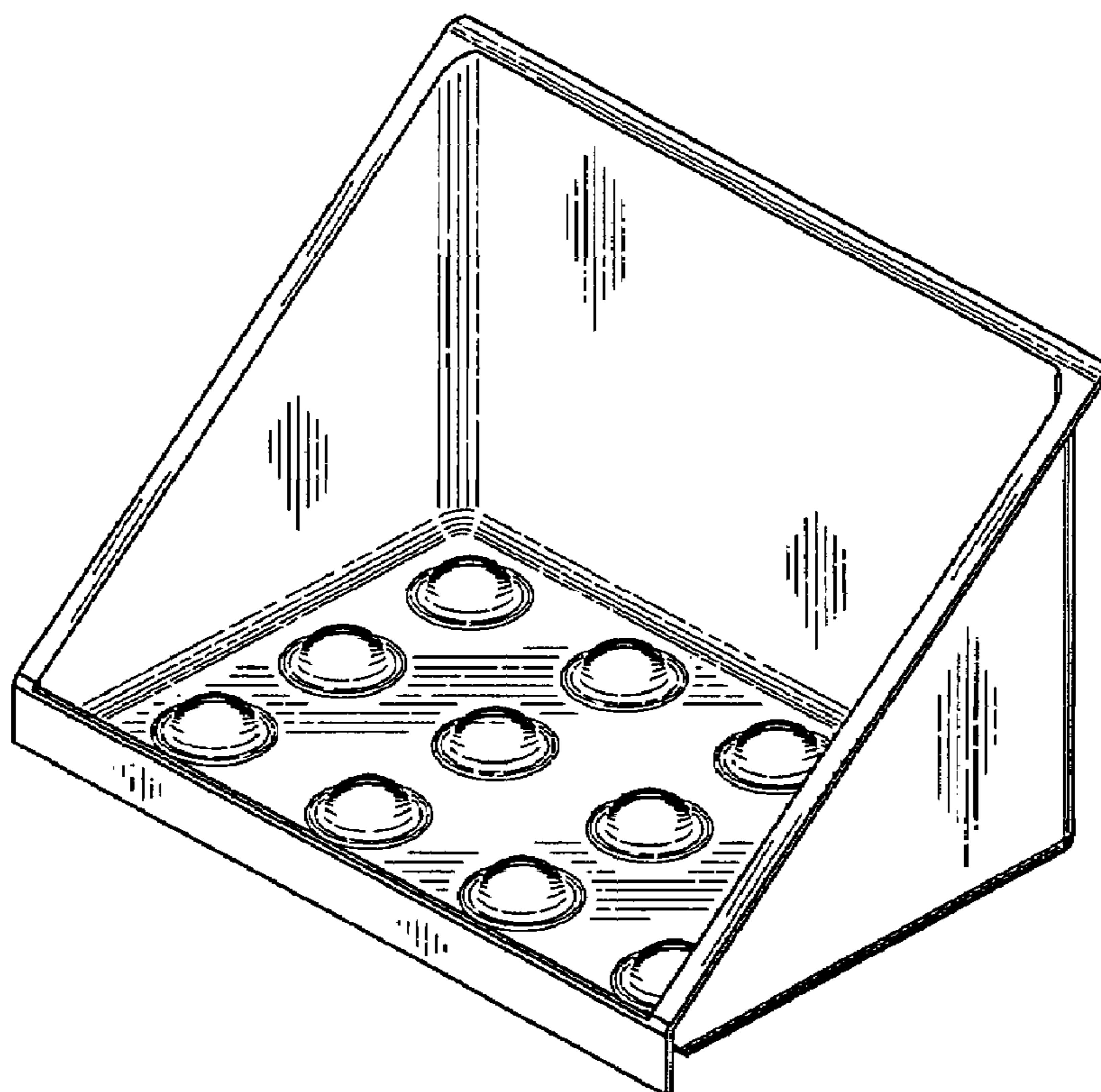
FIG. 4 is a top view thereof;

FIG. 5 is a front view thereof;

FIG. 6 is a side view thereof, the opposite side being a mirror image thereof; and,

FIG. 7 is a bottom plan view thereof.

1 Claim, 2 Drawing Sheets



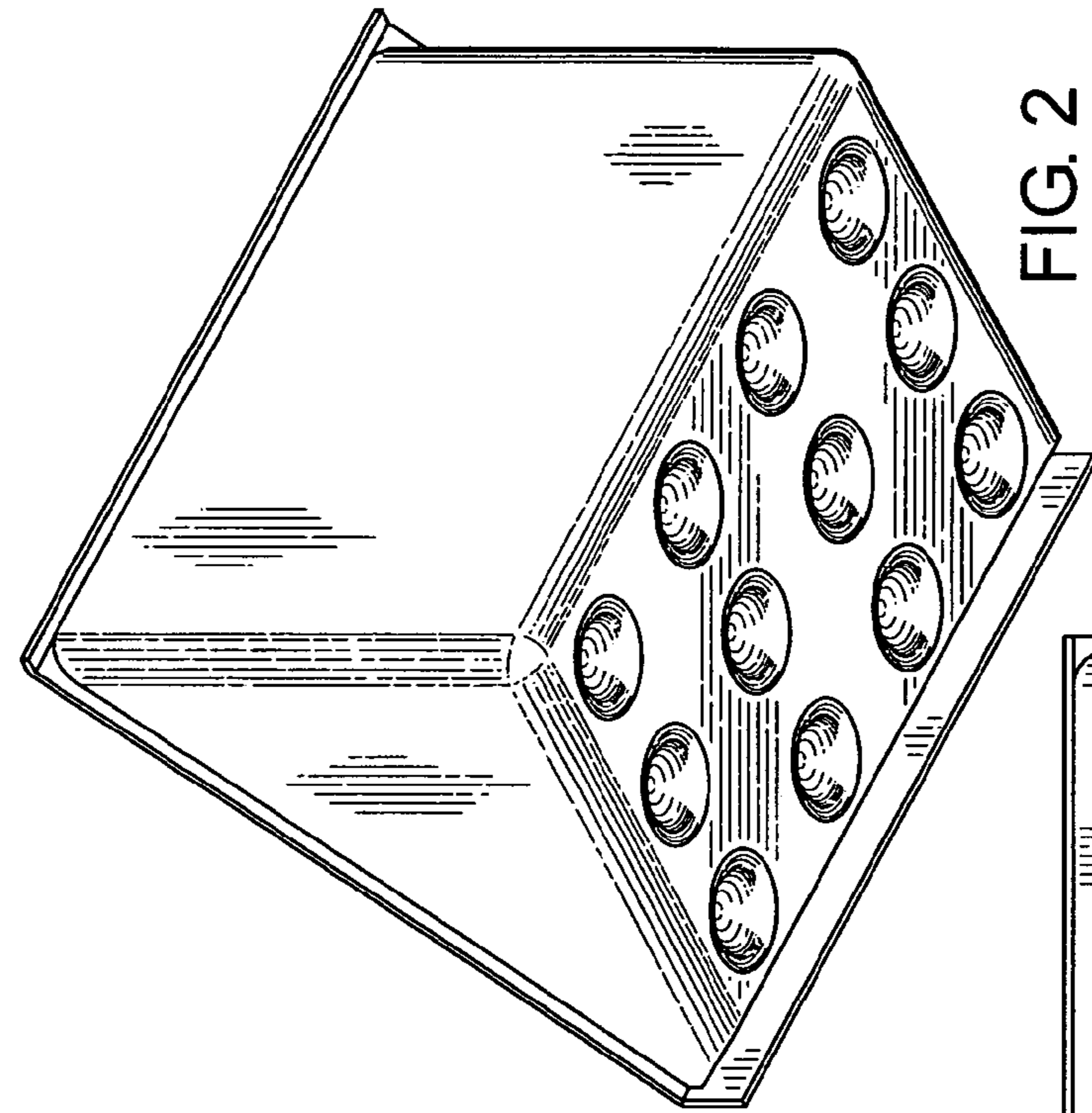


FIG. 2

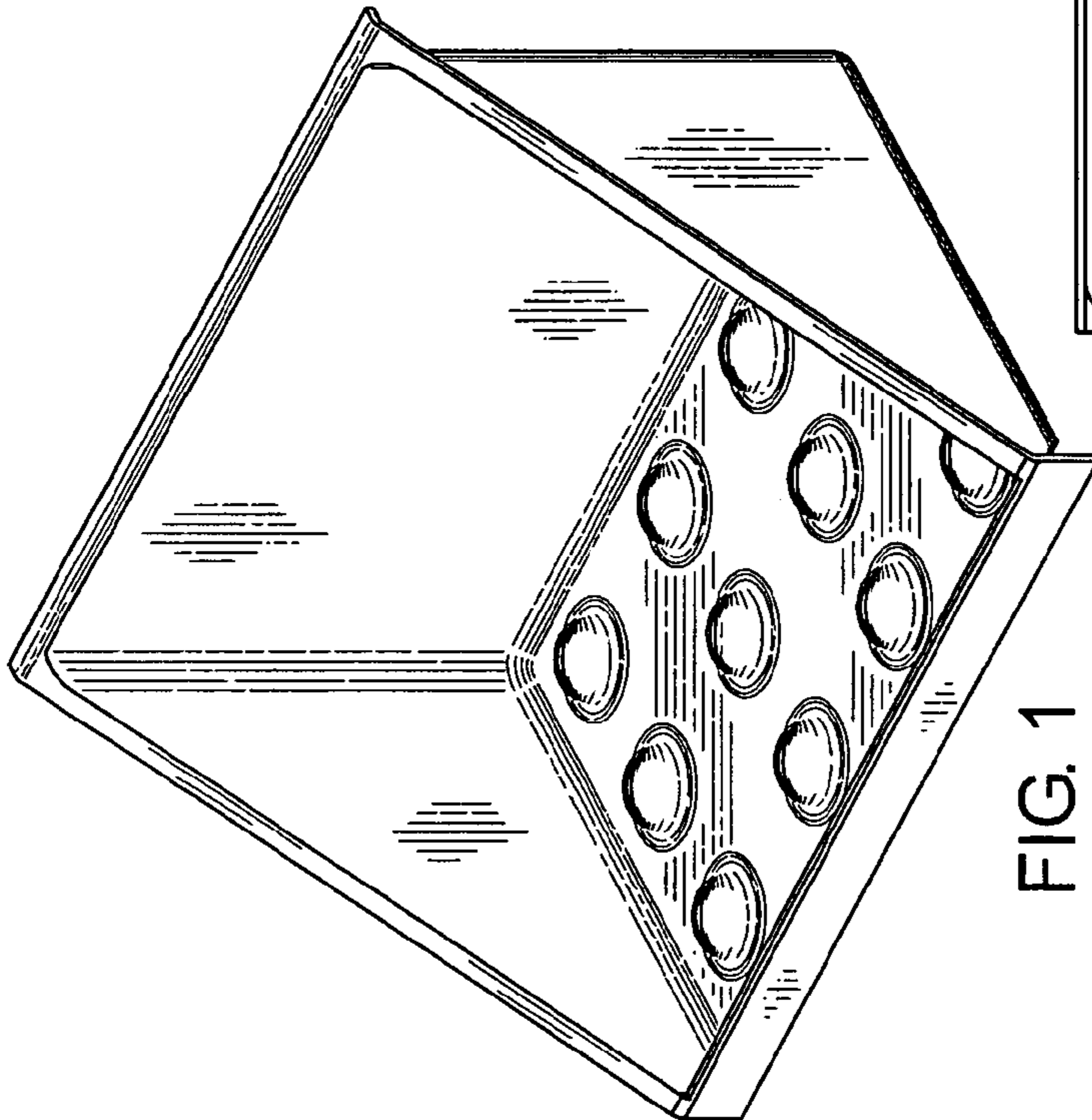


FIG. 1

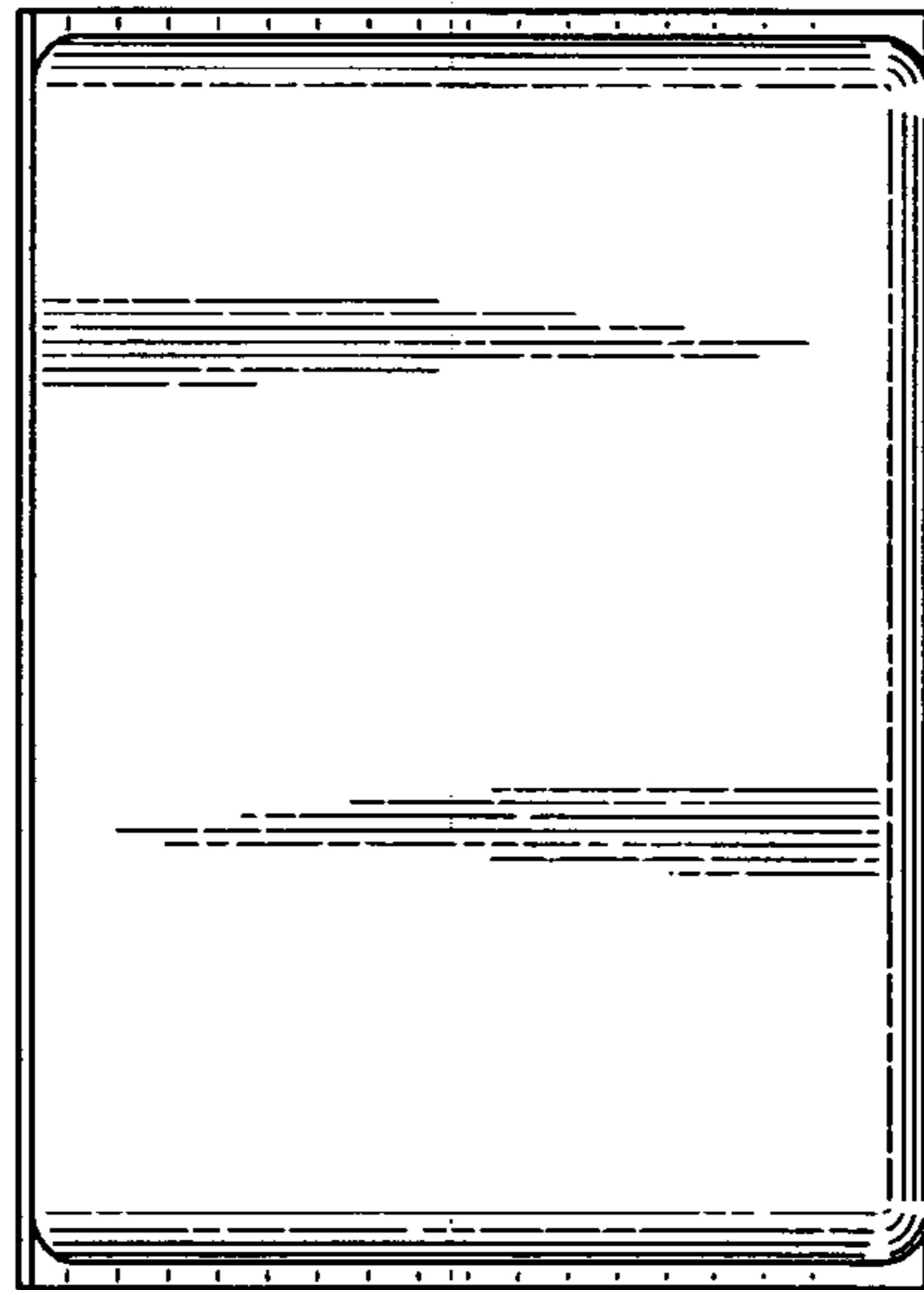


FIG. 3

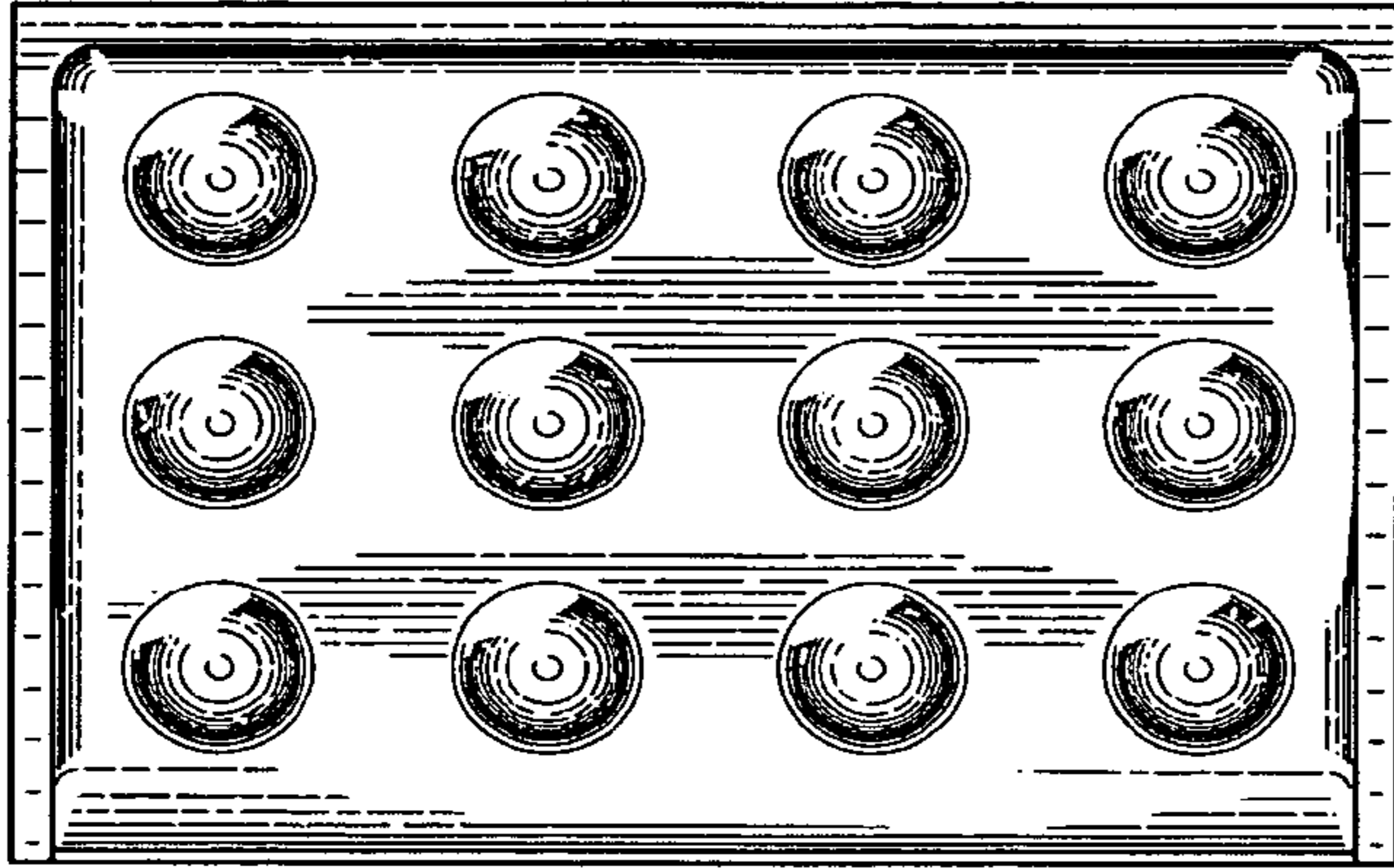


FIG. 4

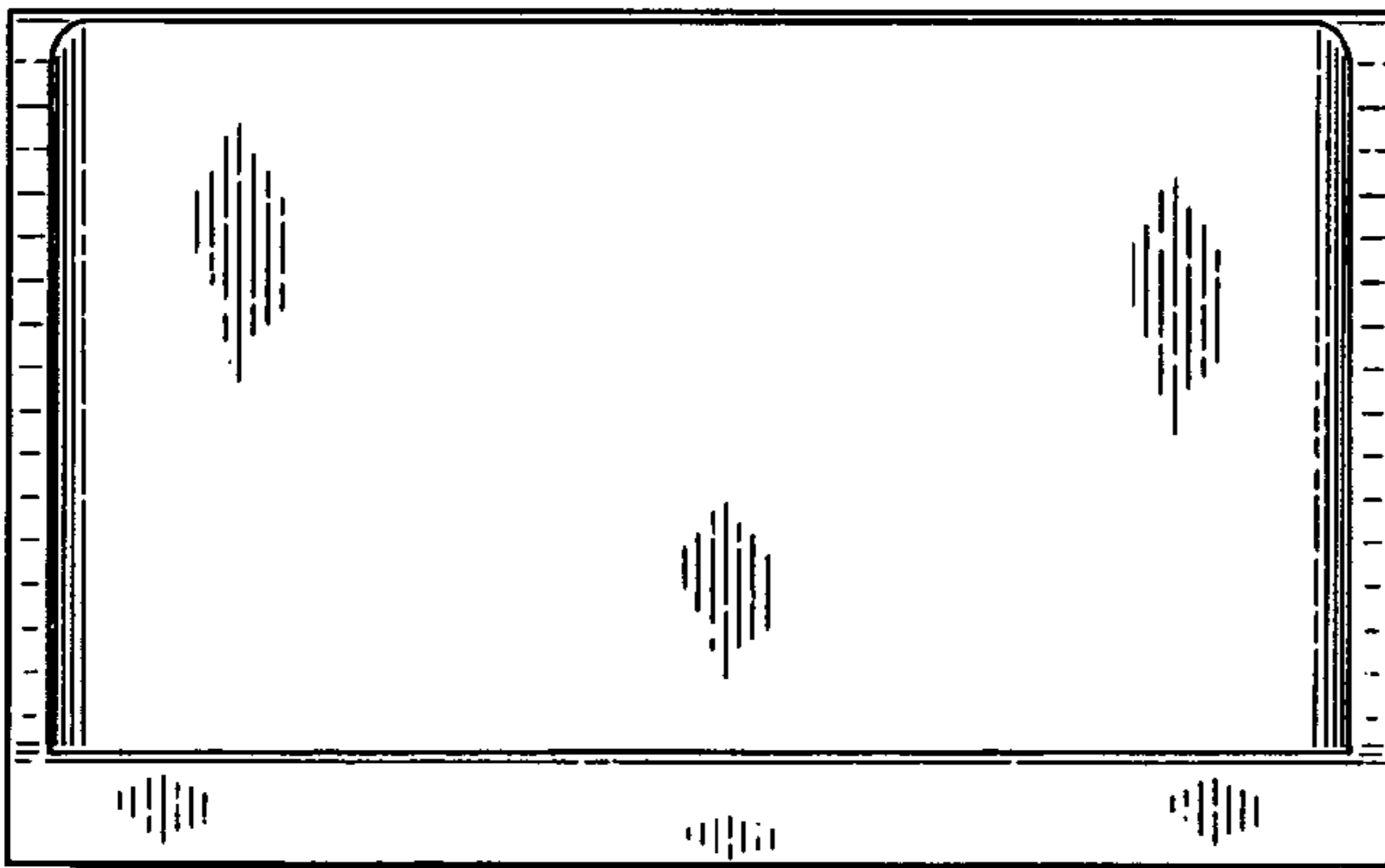


FIG. 5

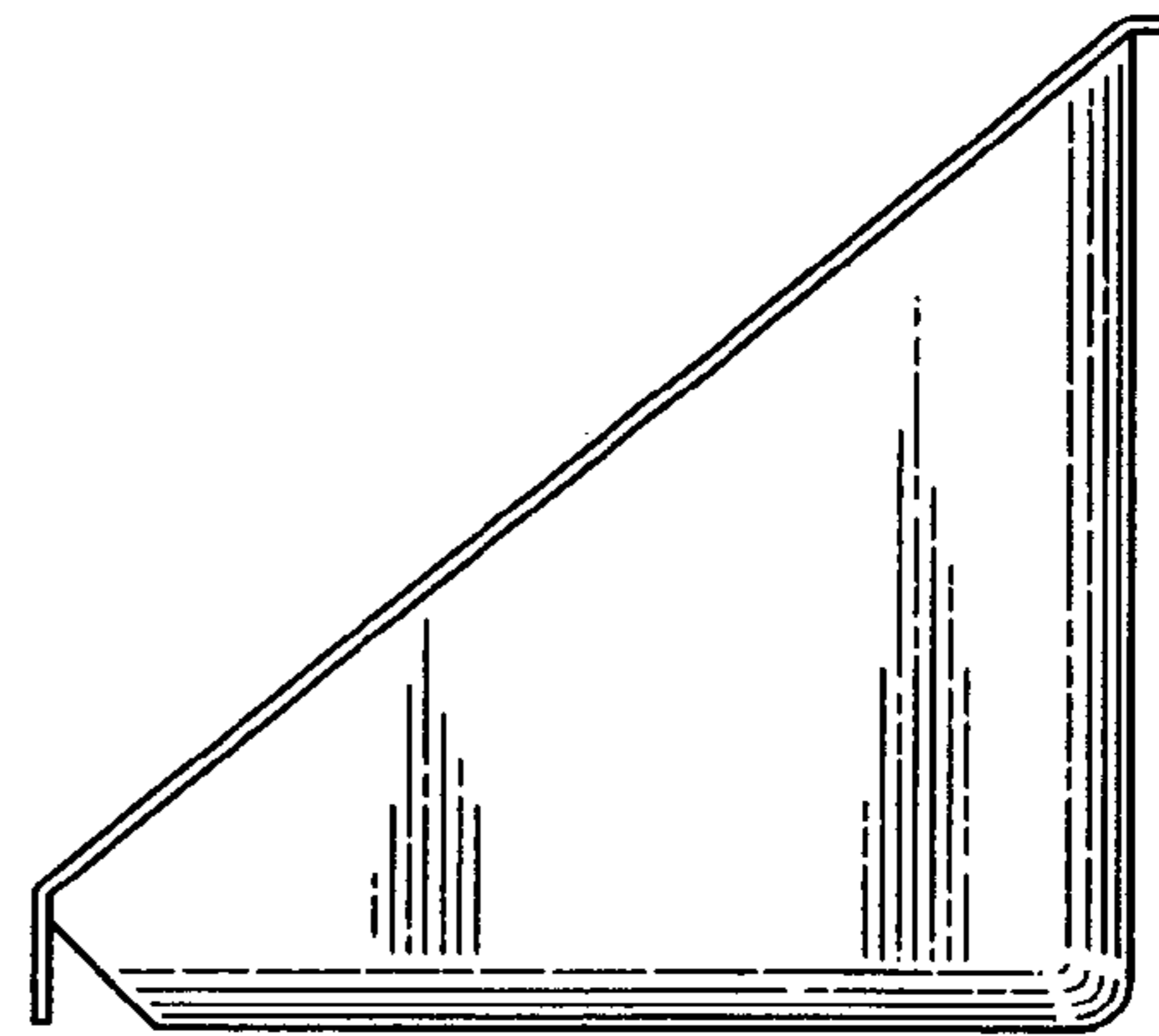


FIG. 6

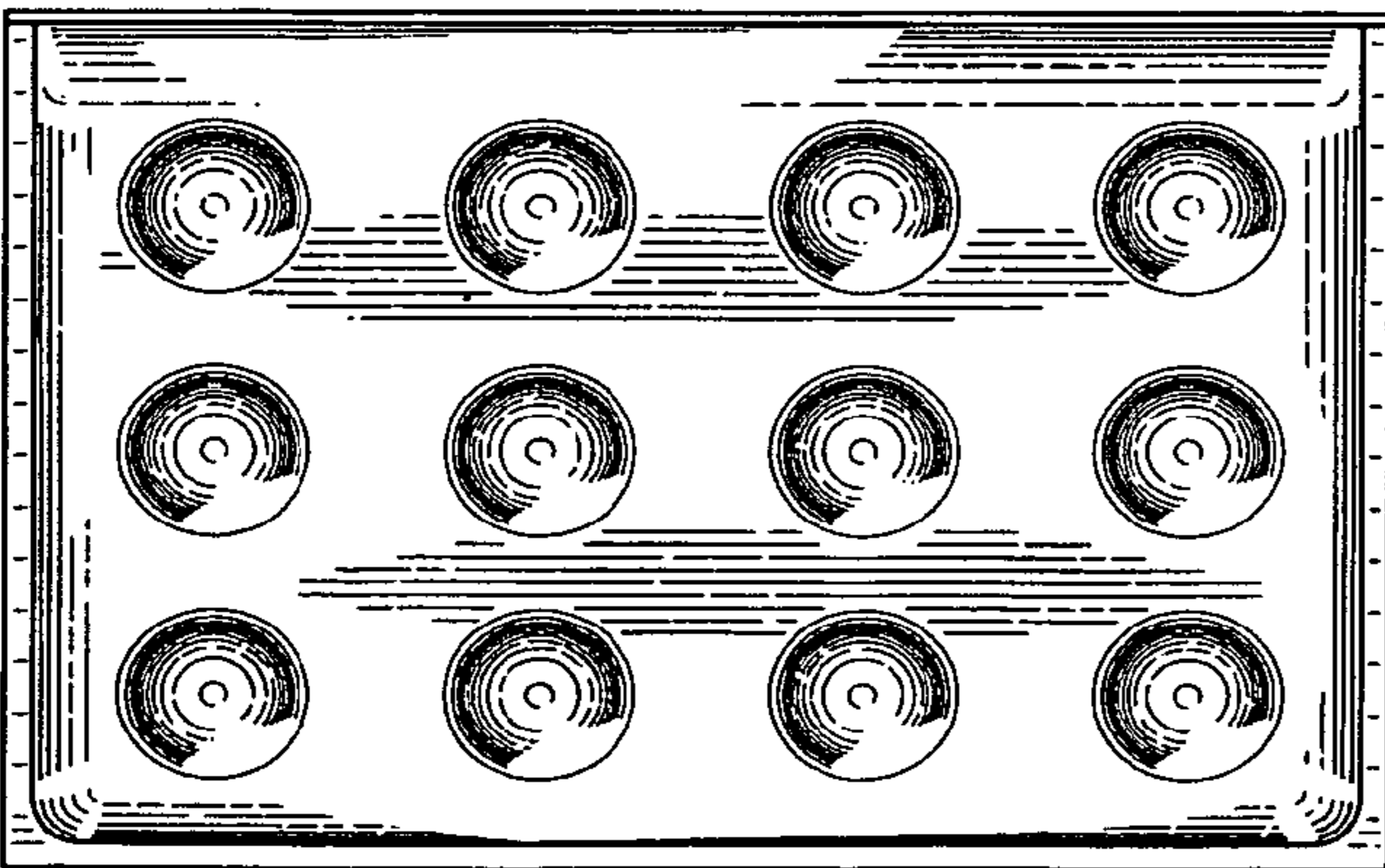


FIG. 7