



US00D554901S

(12) **United States Design Patent**  
**Bretz et al.**

(10) **Patent No.:** **US D554,901 S**  
(45) **Date of Patent:** **\*\* Nov. 13, 2007**

(54) **EYEGGLASS DISPLAY RACK**

(76) Inventors: **Dean C. Bretz**, 205 Hilltop La., Brea, CA (US) 92821; **Thomas V. DiGiorgio**, 51 Sarteano Dr., Newport Coast, CA (US) 92657

(\*\*) Term: **14 Years**

(21) Appl. No.: **29/266,101**

(22) Filed: **Sep. 13, 2006**

**Related U.S. Application Data**

(62) Division of application No. 29/206,067, filed on May 24, 2004, now Pat. No. Des. 534,015.

(51) **LOC (8) Cl.** ..... **06-04**

(52) **U.S. Cl.** ..... **D6/468**

(58) **Field of Classification Search** ..... D6/468, D6/405, 407, 449, 455, 457-462, 464, 467, D6/474, 476, 479, 517, 396; 211/13.1, 49.1, 211/88.1, 134, 187, 133.1; 108/59, 92; D3/313  
See application file for complete search history.

(56) **References Cited**

**U.S. PATENT DOCUMENTS**

D262,754 S *	1/1982	Merl	.....	D6/457
D280,959 S *	10/1985	Sperry	.....	D6/517
D282,127 S *	1/1986	Weiller	.....	D6/476
D288,039 S *	2/1987	LeBlanc	.....	D6/468
D312,018 S *	11/1990	Giesy	.....	D6/571
D363,840 S *	11/1995	Weshler	.....	D6/476
D435,182 S *	12/2000	Mason	.....	D6/457
D453,276 S *	2/2002	Stravitz	.....	D6/571
D486,673 S *	2/2004	Hessell	.....	D6/474
D537,655 S *	3/2007	Hessell	.....	D6/468

\* cited by examiner

*Primary Examiner*—Caron D. Veynar

*Assistant Examiner*—Sydney R. Buffalo

(74) *Attorney, Agent, or Firm*—Jordan M. Meschkow; Lowell W. Gresham; Charlene R. Jacobsen

(57) **CLAIM**

The ornamental design for an eyeglass display rack, as shown and described.

**DESCRIPTION**

FIG. 1 is a front left perspective view of an eyeglass display rack, showing our new design.

FIG. 2 is a front left perspective view of the design shown in FIG. 1;

FIG. 3 is a frontal view of the design shown in FIG. 1;

FIG. 4 is a rear view of the design shown in FIG. 1;

FIG. 5 is a left side view of the design shown in FIG. 1;

FIG. 6 is a right side view of the design shown in FIG. 1 and shows dotted line 7 to delineate a section;

FIG. 7 is an exploded view of the section within dotted line 7 of FIG. 6, to show the perforated nature in the part of the design shown;

FIG. 8 is a top plan view of the design shown in FIG. 1; and

FIG. 9 is a bottom plan view of the design shown in FIG. 1;

FIG. 10 is a front perspective view of a second alternate embodiment of an eyeglass display rack, showing our new design therefor;

FIG. 11 is a front left perspective view of the design shown in FIG. 10;

FIG. 12 is a frontal view of the design shown in FIG. 10;

FIG. 13 is a rear view of the design shown in FIG. 10;

FIG. 14 is a left side view of the design shown in FIG. 10;

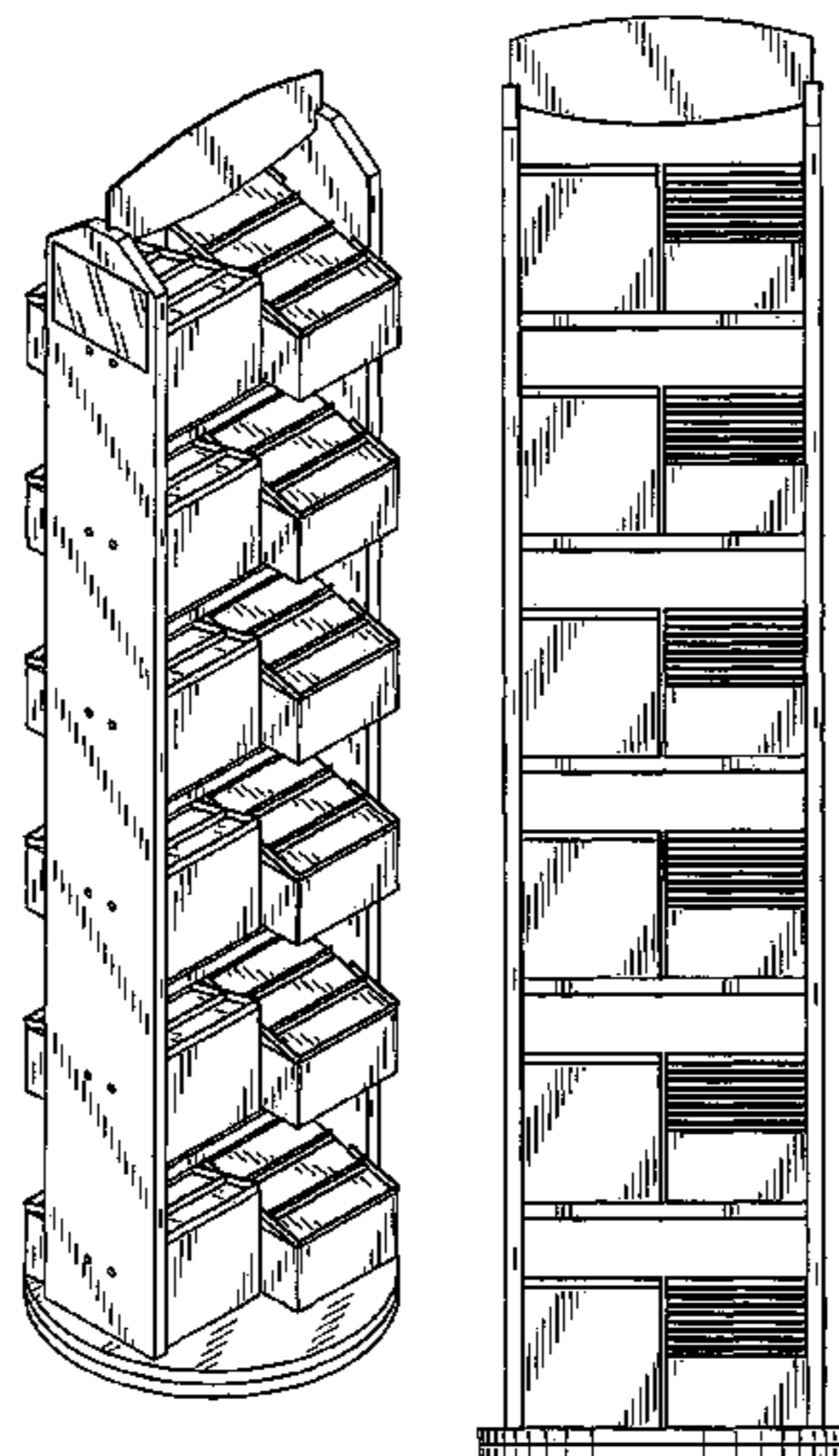
FIG. 15 is a right side view of the design shown in FIG. 10 and shows dotted line 16 to delineate a section;

FIG. 16 is an exploded view of the section within dotted line 16 of FIG. 15, to show the perforated nature in the part of the design shown;

FIG. 17 is a top plan view of the design shown in FIG. 10; and,

FIG. 18 is a bottom plan view of the design shown in FIG. 10.

**1 Claim, 14 Drawing Sheets**



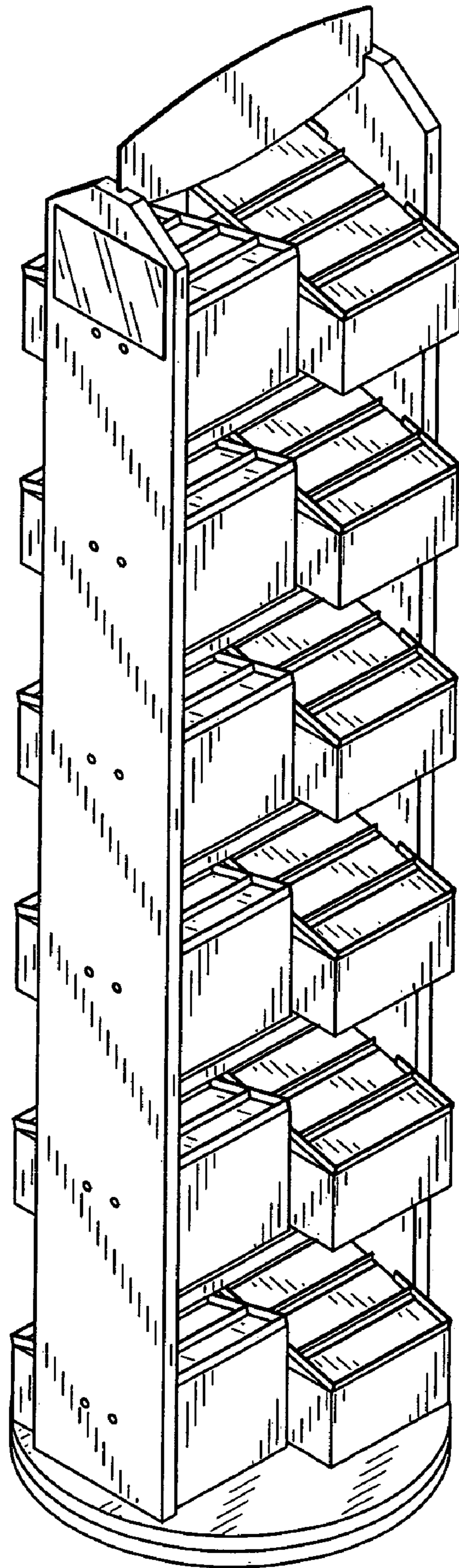


FIG. 1

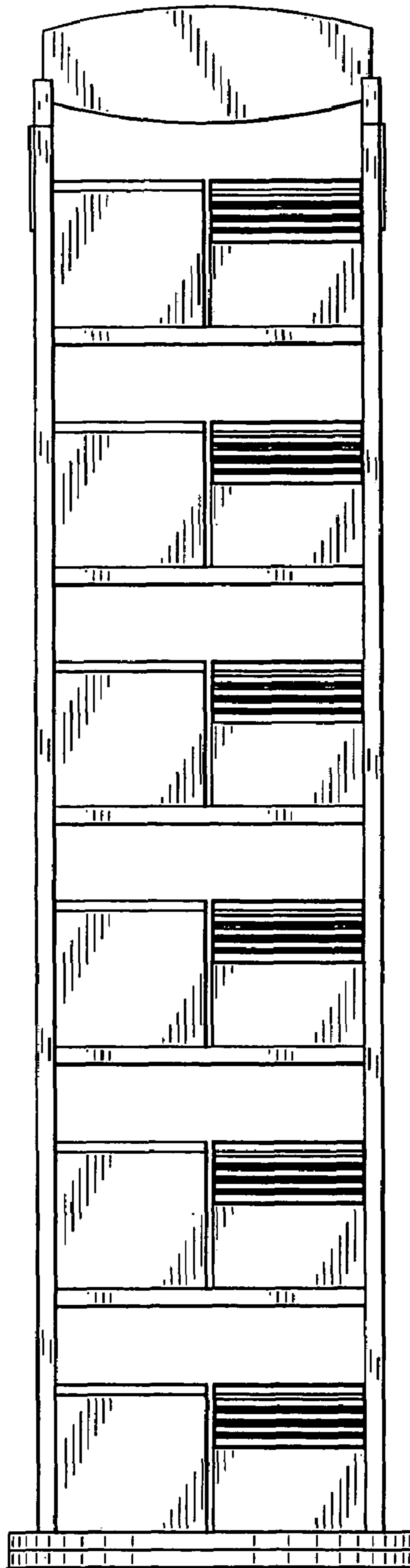


FIG. 2

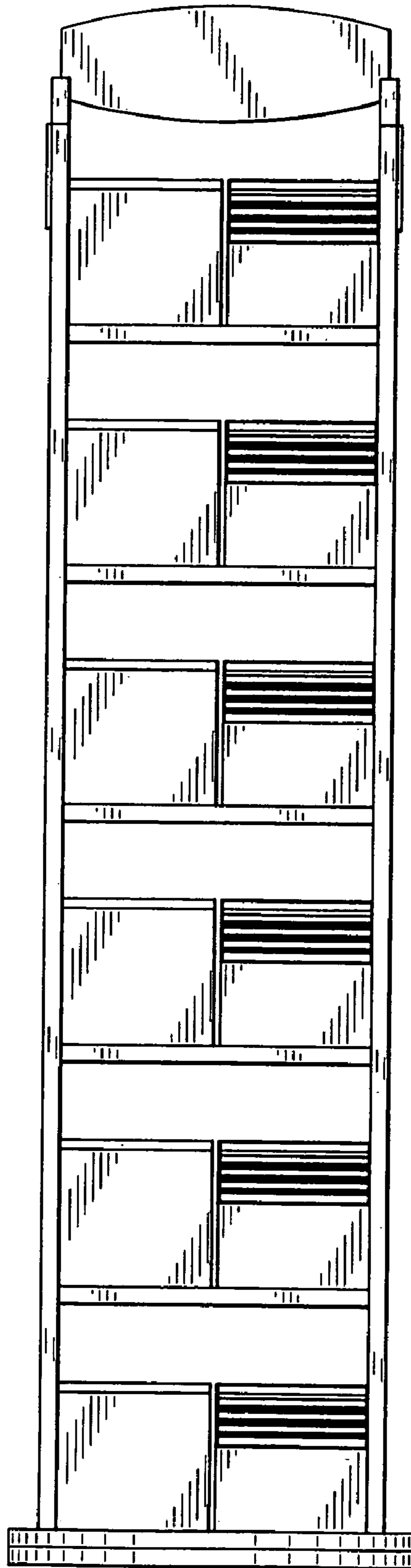


FIG. 3

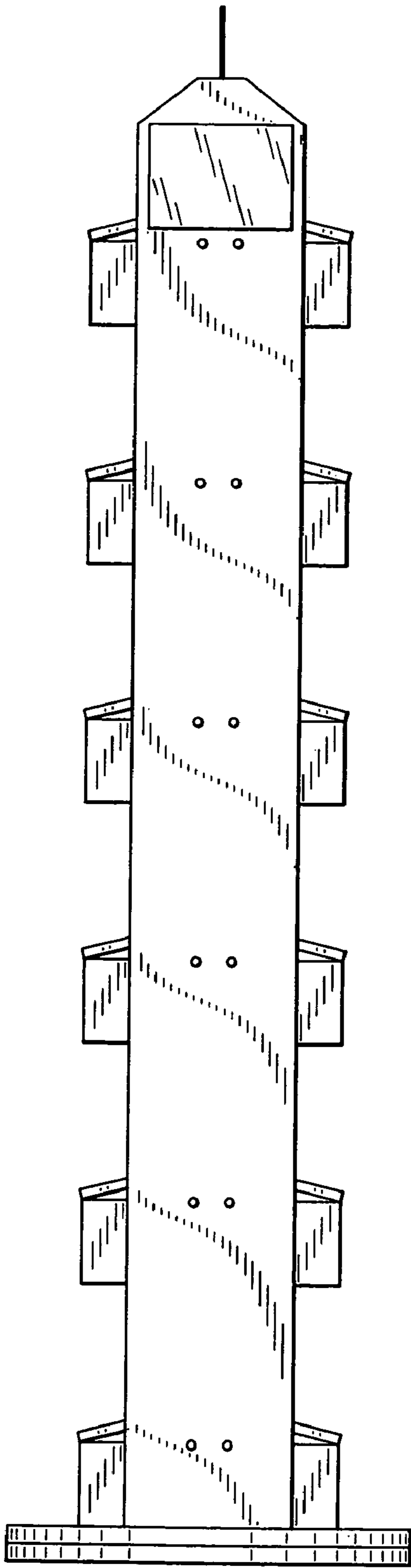


FIG. 4

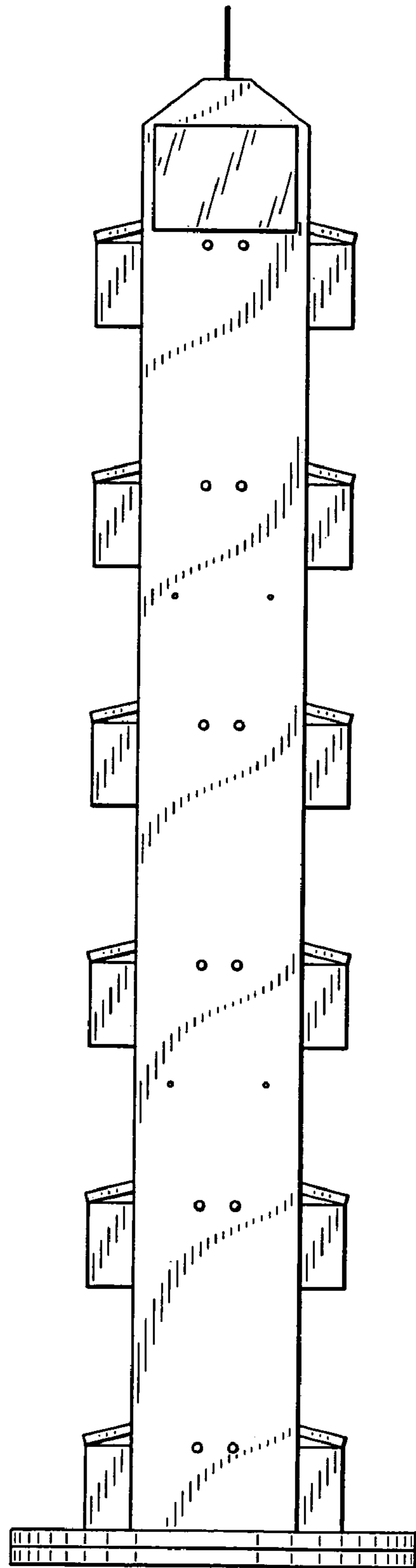


FIG. 5



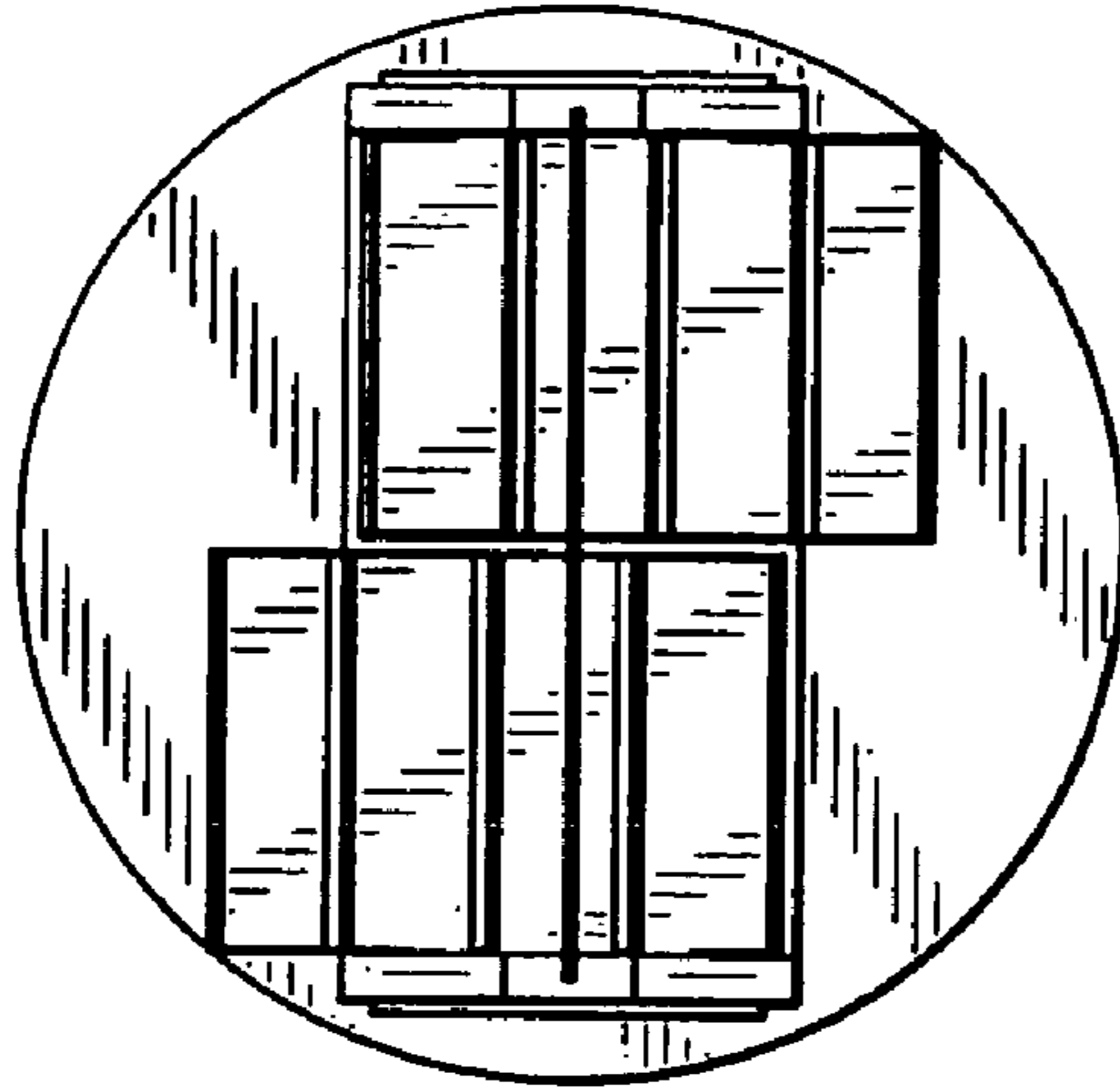


FIG. 6

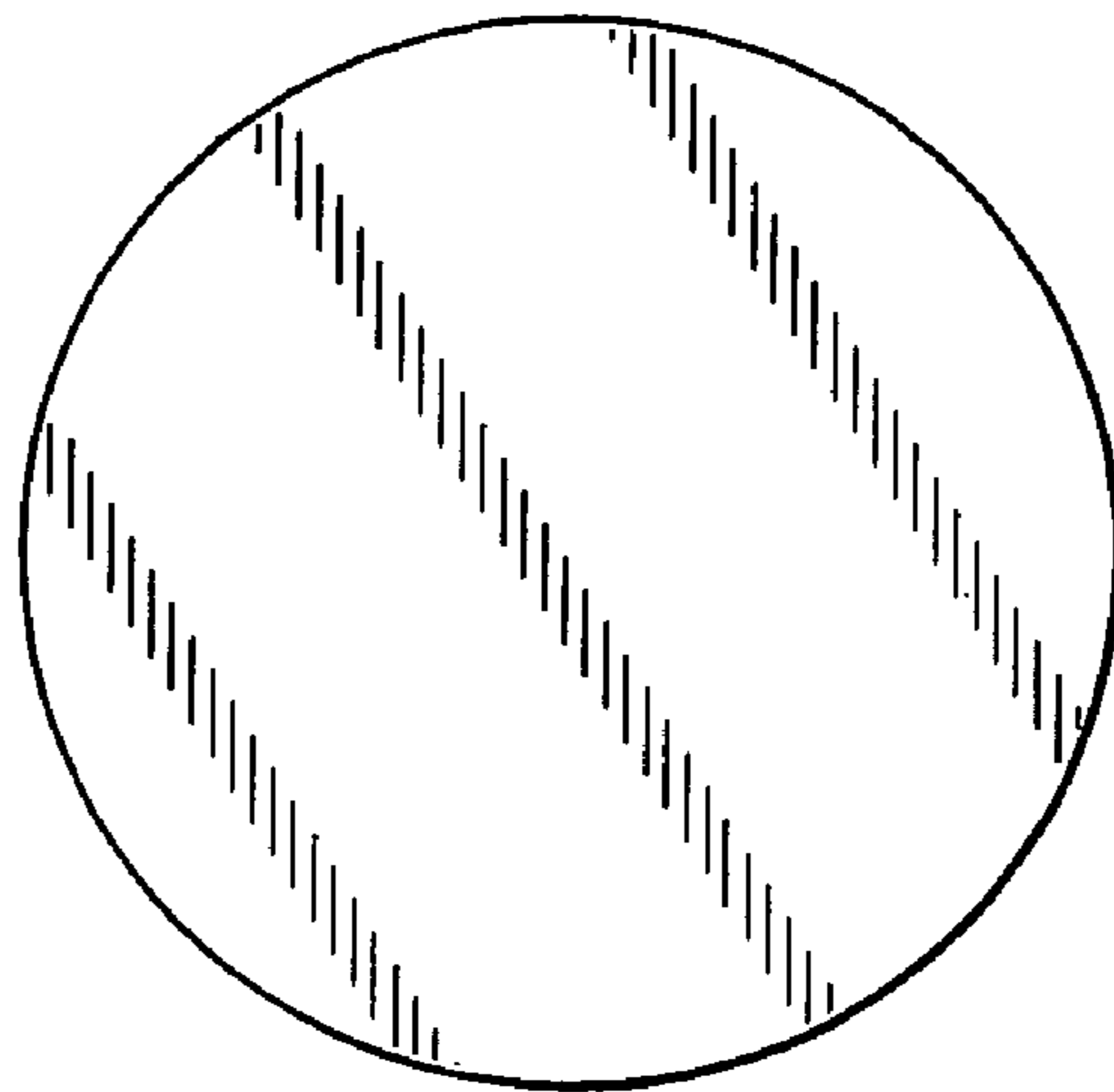


FIG. 7

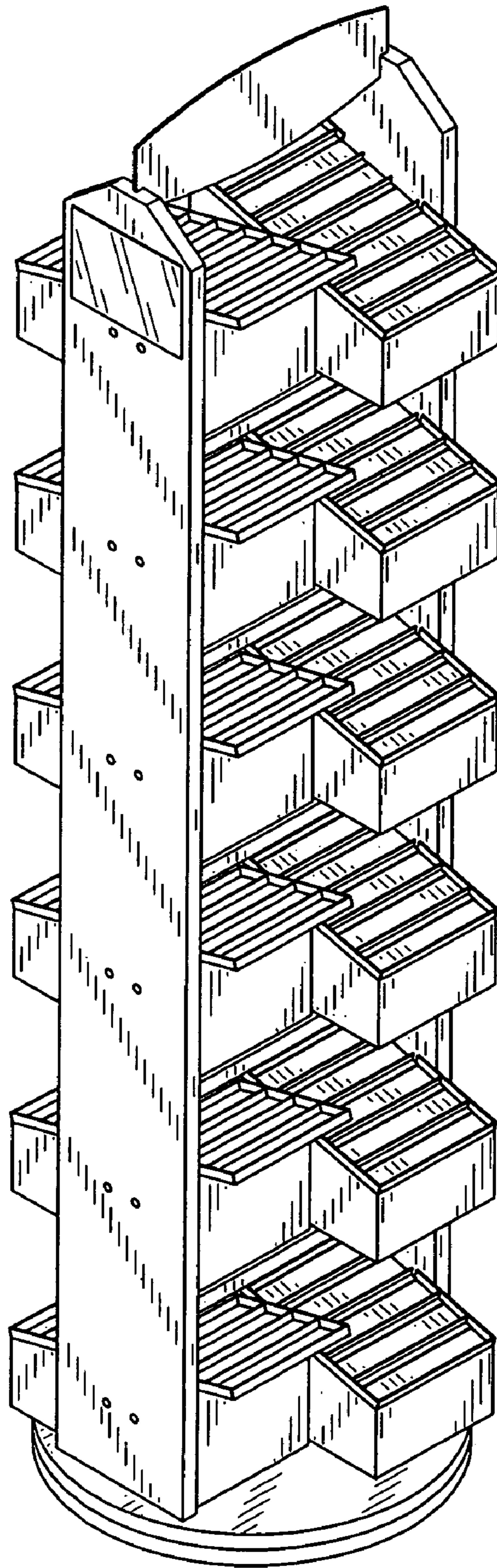


FIG. 8

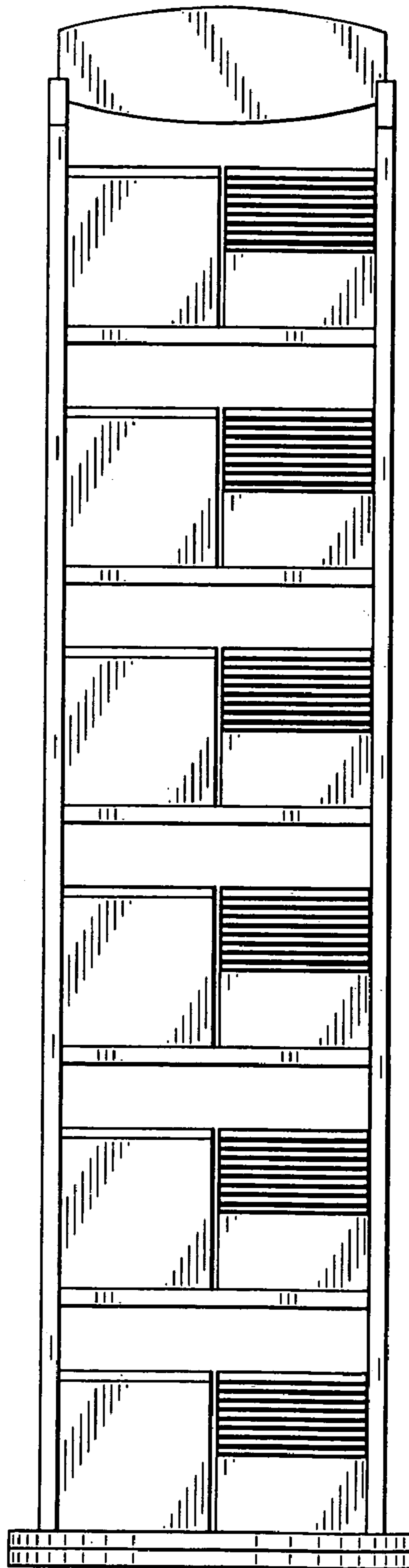


FIG. 9



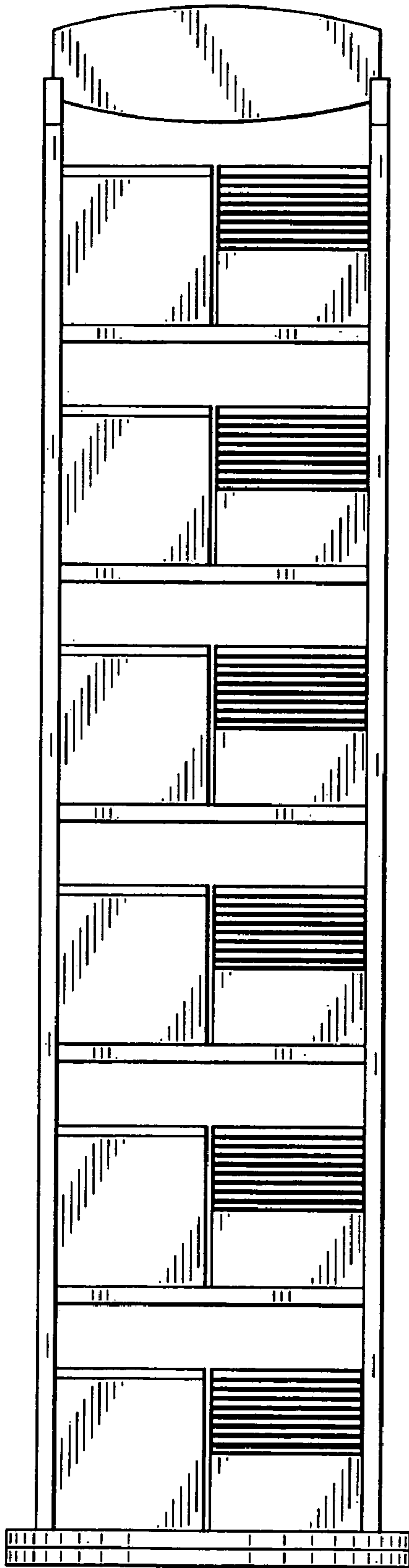


FIG. 10

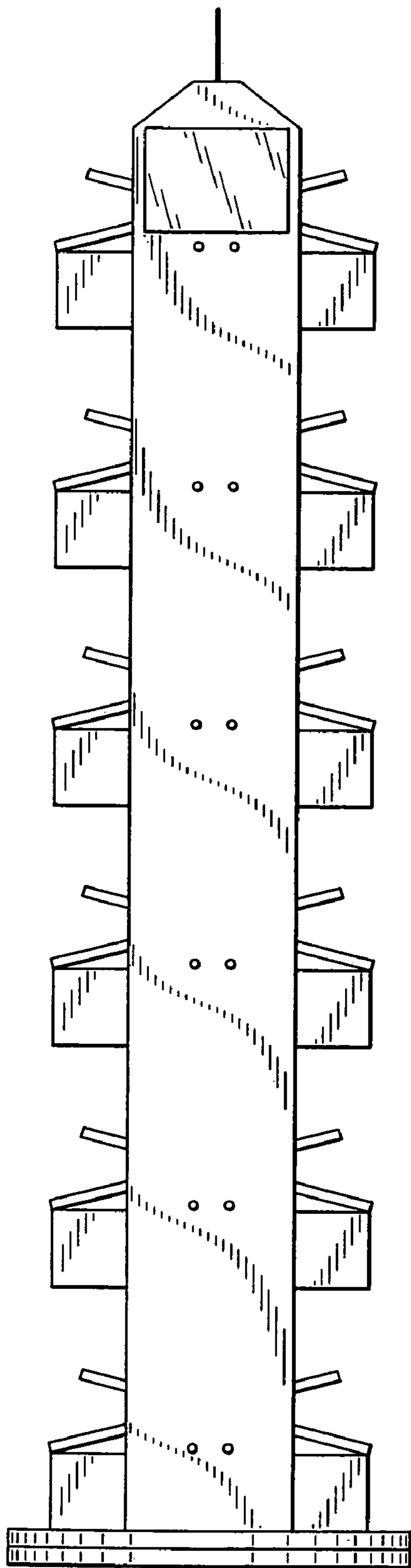


FIG. 11

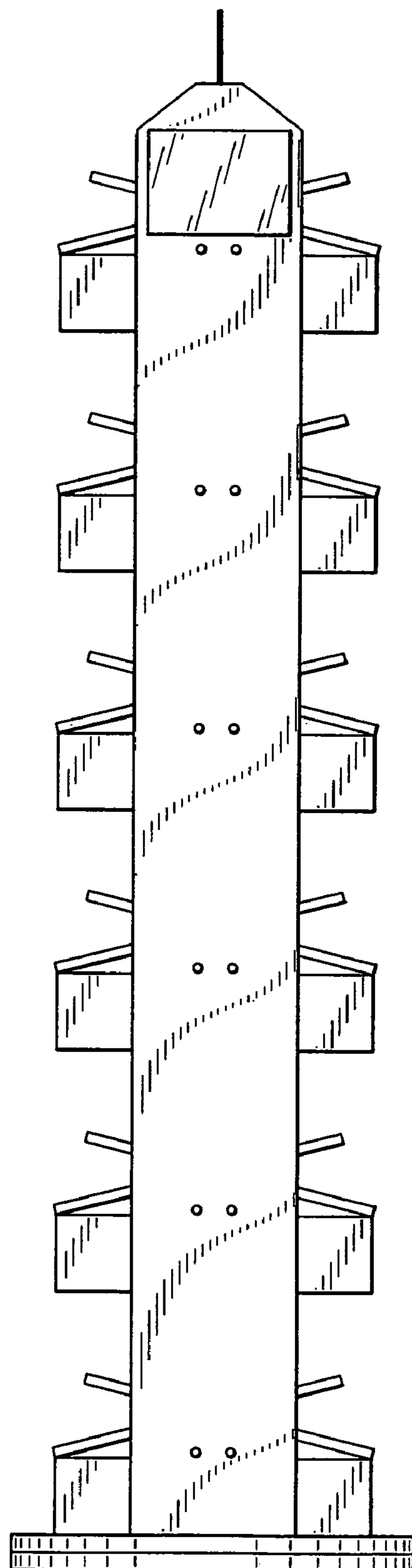


FIG. 12

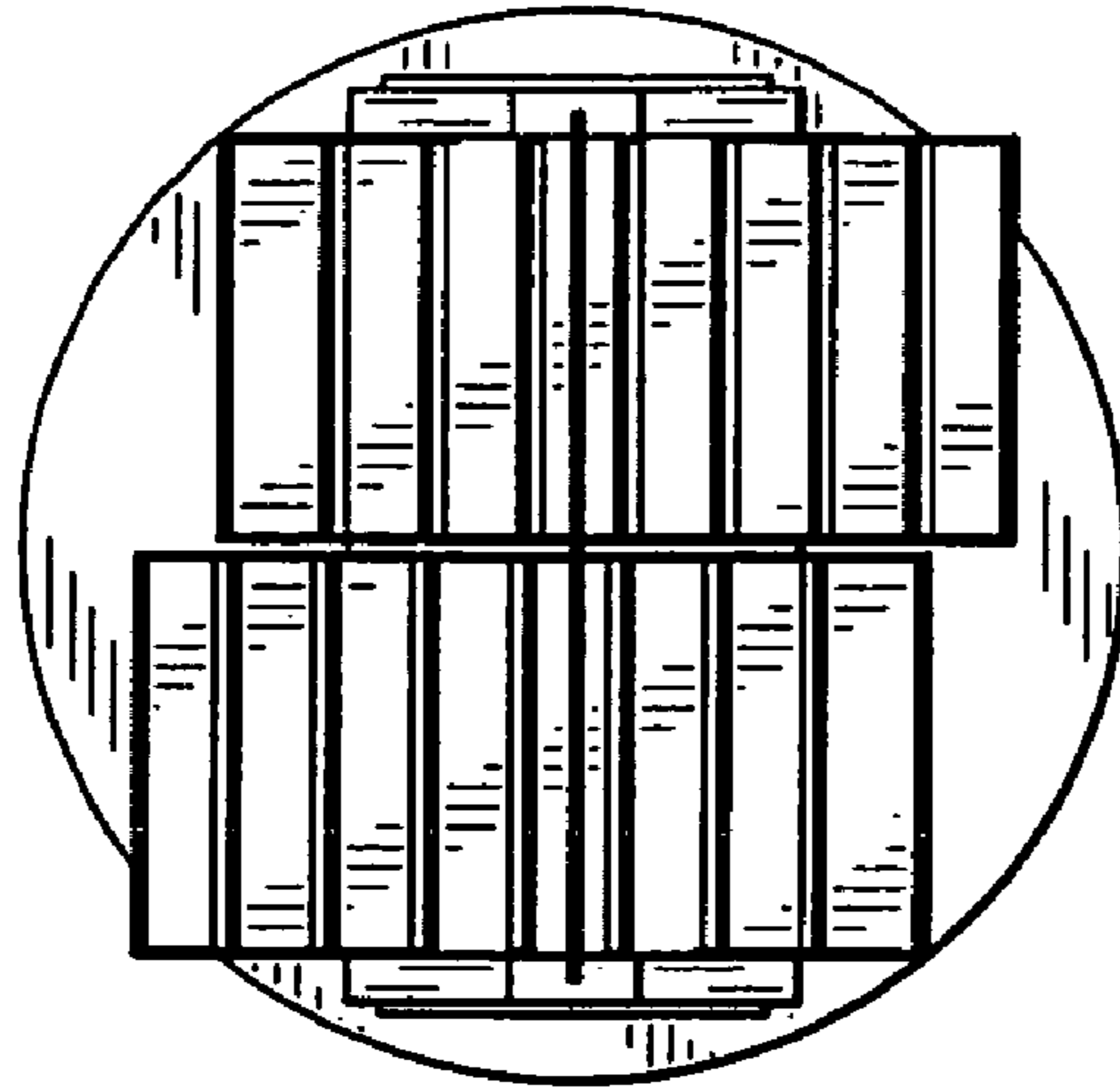


FIG. 13

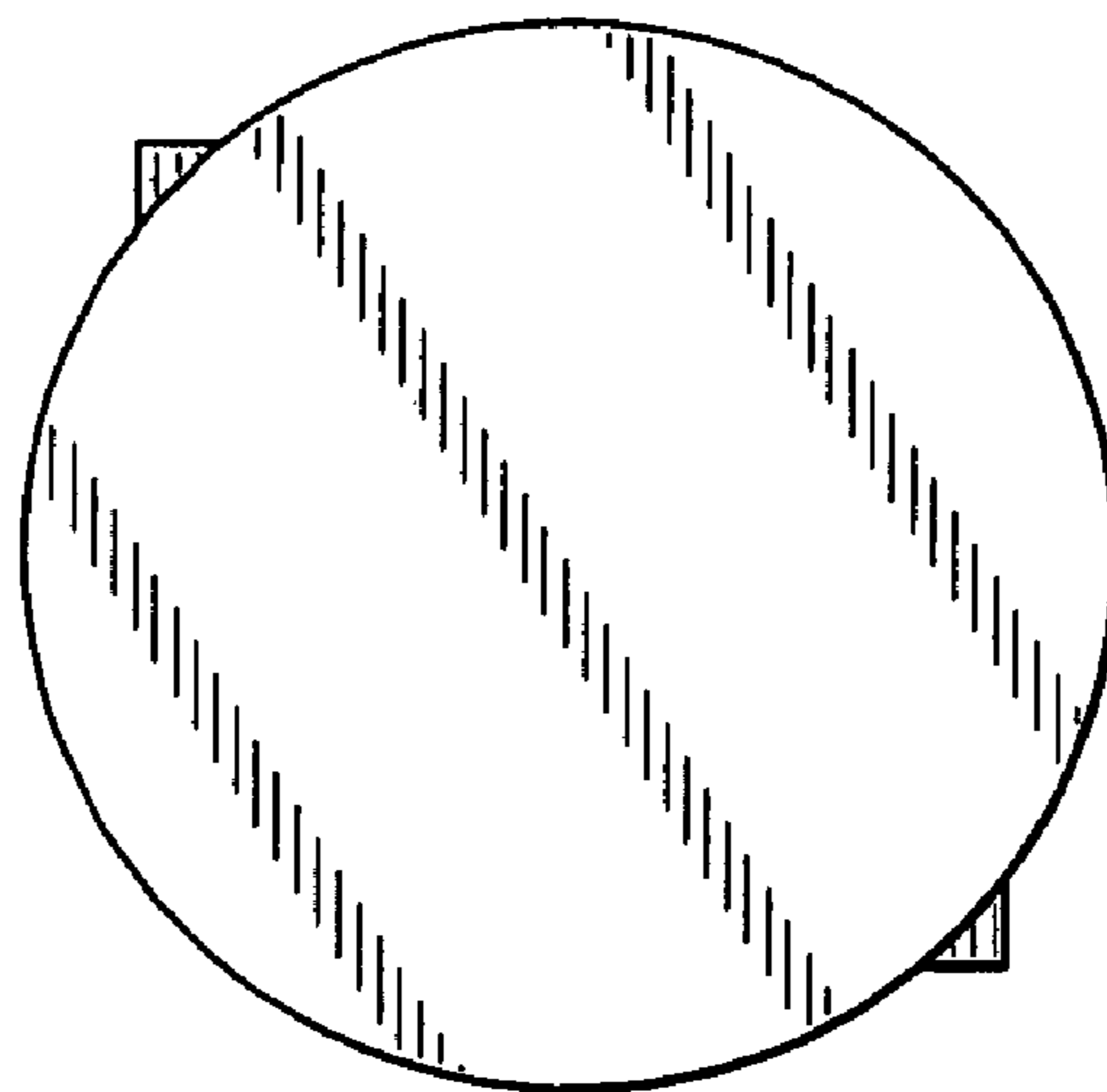


FIG. 14

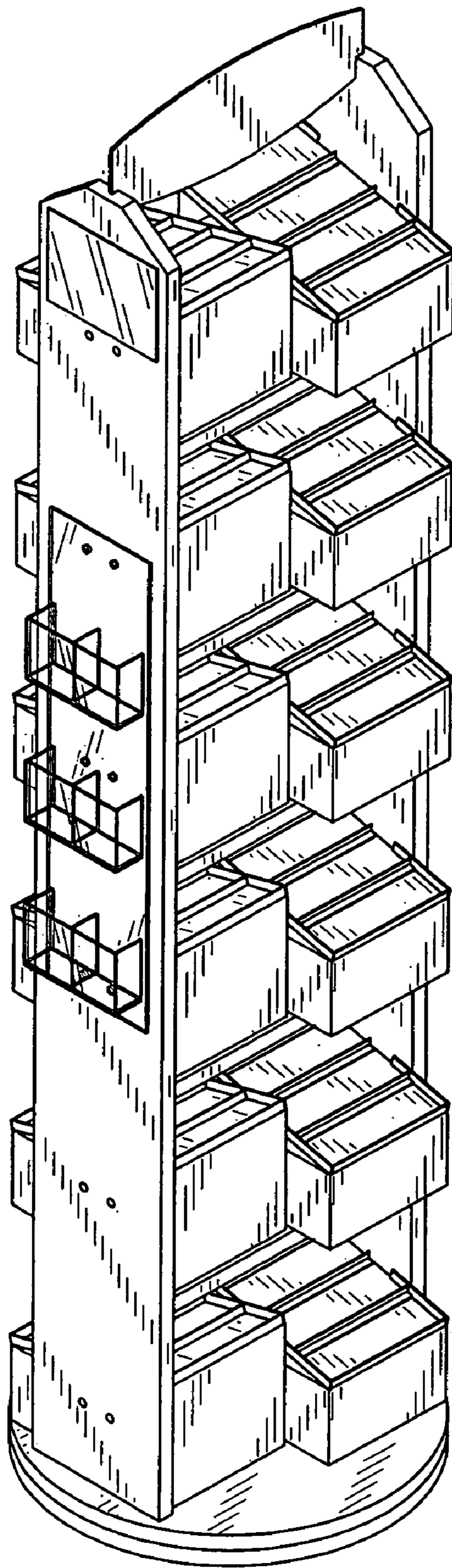


FIG. 15

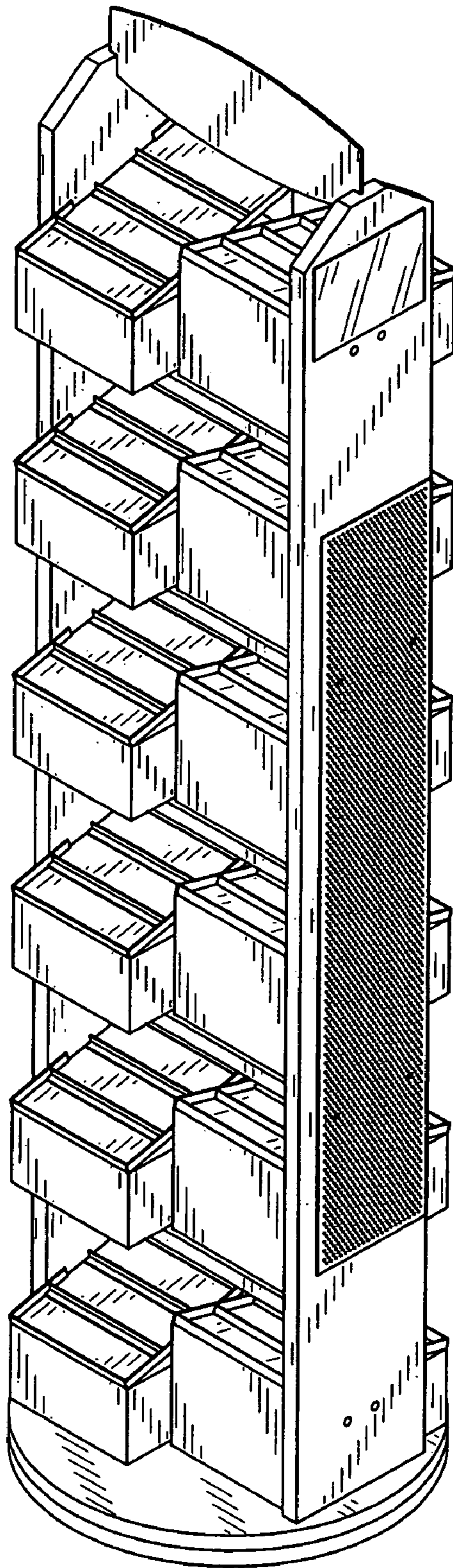


FIG. 16



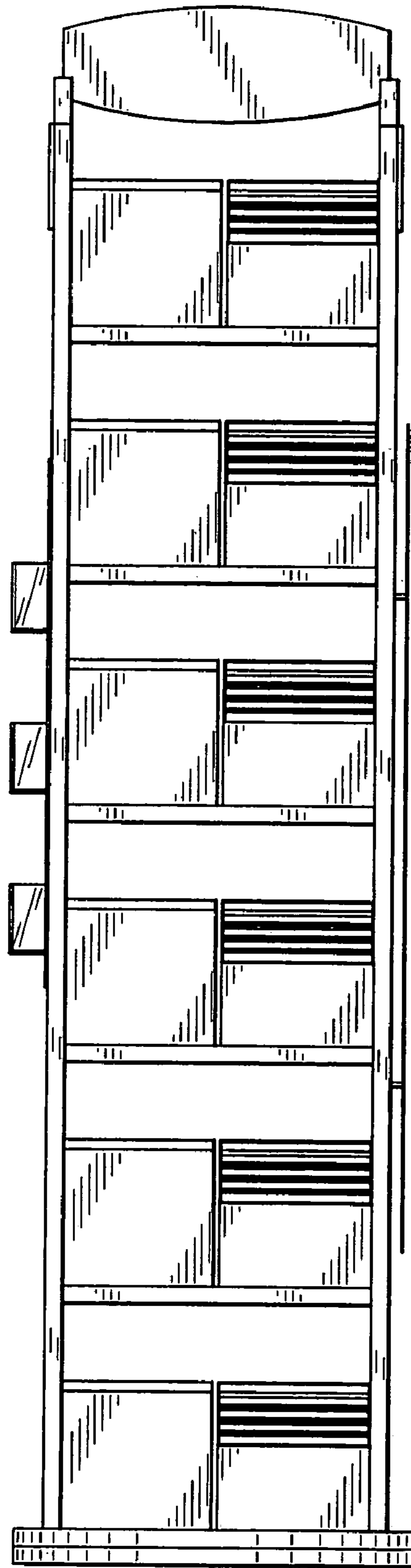


FIG. 17

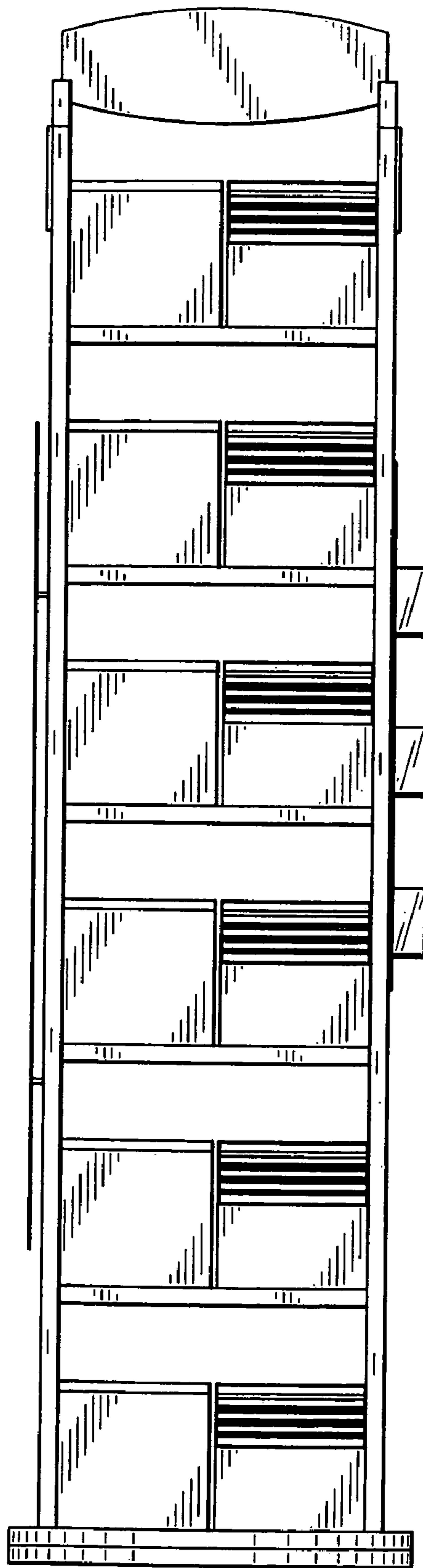


FIG. 18