



US00D554900S

(12) **United States Design Patent**
Hussaini et al.

(10) **Patent No.:** **US D554,900 S**

(45) **Date of Patent:** **** Nov. 13, 2007**

(54) **VIDEO GAME STAND AND STORAGE DEVICE**

D486,672 S * 2/2004 Peyker D6/467
D493,981 S * 8/2004 Peyker D6/475
D535,836 S * 1/2007 Peyker D6/467

(75) Inventors: **Saied Hussaini**, Miami, FL (US); **Marc Iacovelli**, Miami, FL (US)

* cited by examiner

(73) Assignee: **Intec, Inc.**, Miami Gardens, FL (US)

Primary Examiner—Caron D. Veynar
Assistant Examiner—Sydney R. Buffalow

(**) Term: **14 Years**

(74) *Attorney, Agent, or Firm*—Berenato, White & Stavish

(21) Appl. No.: **29/243,988**

(57) **CLAIM**

(22) Filed: **Dec. 5, 2005**

The ornamental design for a video game stand and storage device, as shown and described.

(51) **LOC (8) Cl.** **06-04**

(52) **U.S. Cl.** **D6/467**

(58) **Field of Classification Search** D6/407,
D6/629, 630, 464–468, 449, 396, 397, 511,
D6/475; 211/40, 41, 42, 85.4, 49.1; D19/75,
D19/76, 91; D7/359, 409; 312/9.9, 9.47,
312/9.48, 9.51, 9.52, 9.64; 206/561, 765;
D3/305

See application file for complete search history.

DESCRIPTION

FIG. 1 is a perspective view of the video game stand and storage device according to the present invention.

FIG. 2 is a front view of the video game stand and storage device of FIG. 1.

FIG. 3 is a rear view of the video game stand and storage device of FIG. 1.

FIG. 4 is a right side view of the video game stand and storage device of FIG. 1.

FIG. 5 is a left side view of the video game stand and storage device of FIG. 1.

FIG. 6 is a top view of the video game stand and storage device of FIG. 1; and,

FIG. 7 is a bottom view of the video game stand and storage device of FIG. 1.

(56) **References Cited**

U.S. PATENT DOCUMENTS

3,467,247	A *	9/1969	Weiss	206/561
4,850,477	A *	7/1989	Gelardi et al.	206/765
D365,495	S *	12/1995	O'Higgins	D7/359
5,794,796	A *	8/1998	Weisburn	211/40
D404,957	S *	2/1999	Cheris et al.	D6/629
D478,210	S *	8/2003	Dembicks	D3/305
D485,459	S *	1/2004	Bidwell et al.	D6/511
D485,725	S *	1/2004	Real	D6/629

1 Claim, 7 Drawing Sheets

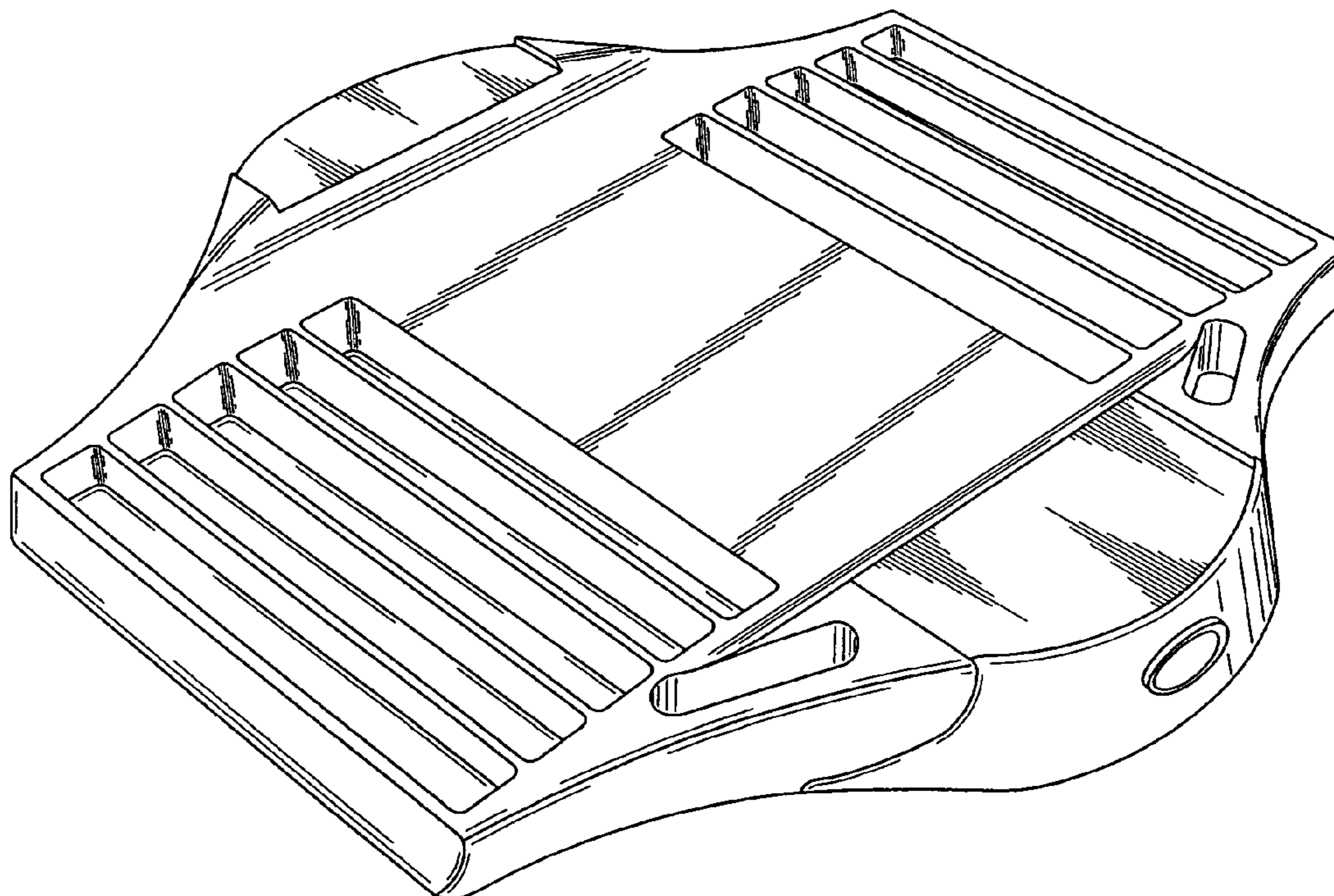


Fig. 1

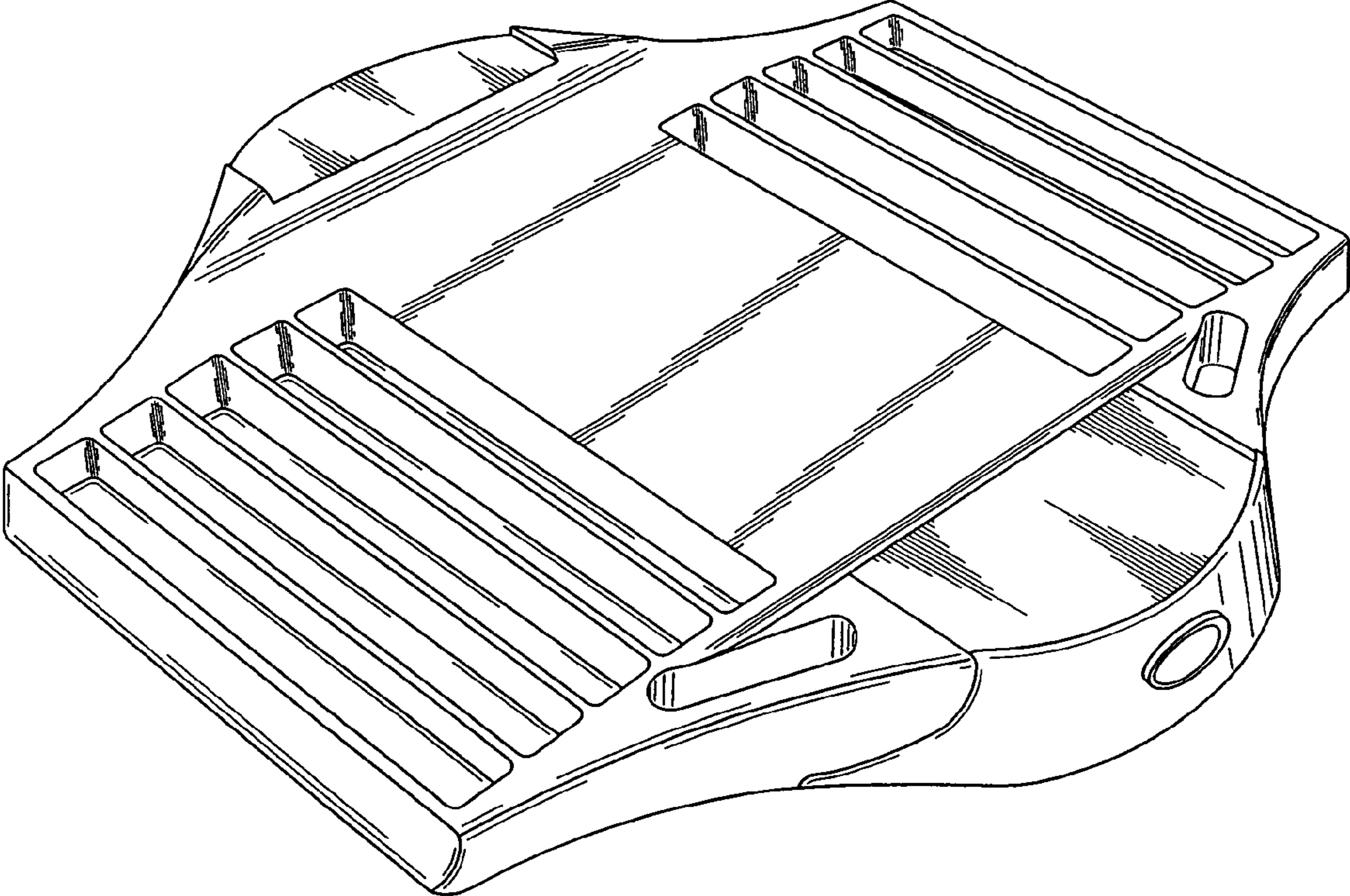


Fig. 2

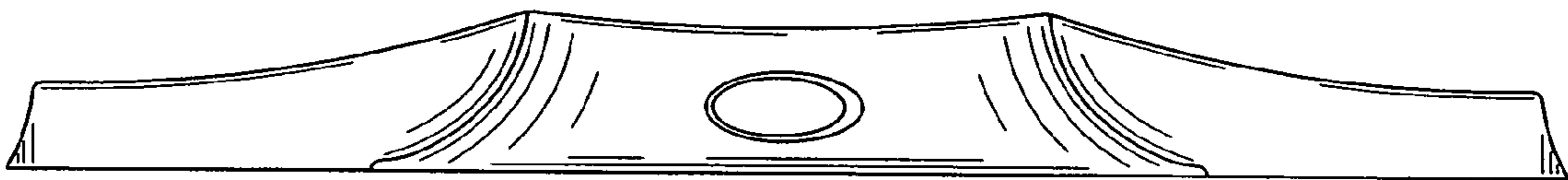


Fig. 3

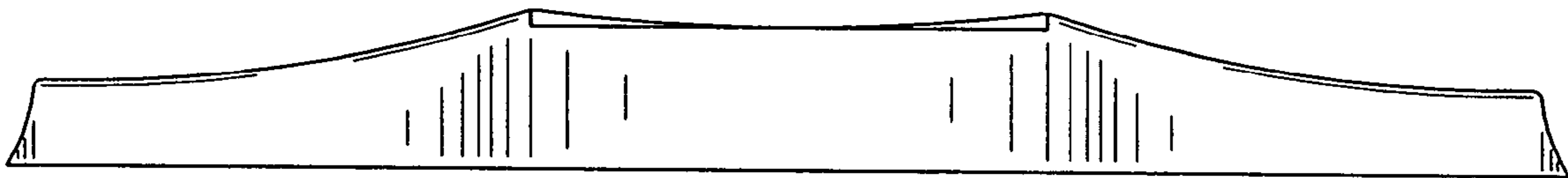


Fig. 4

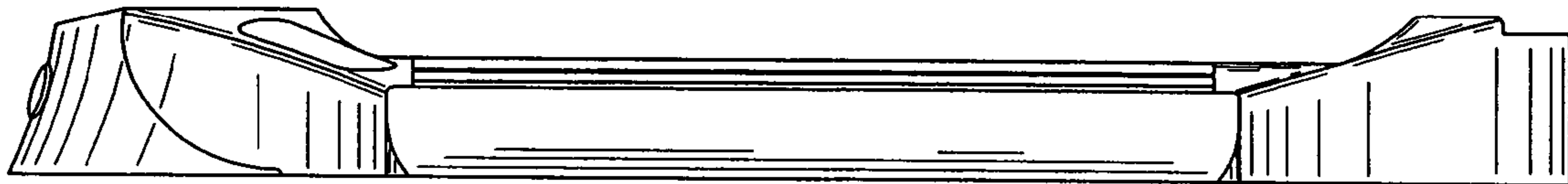


Fig. 5

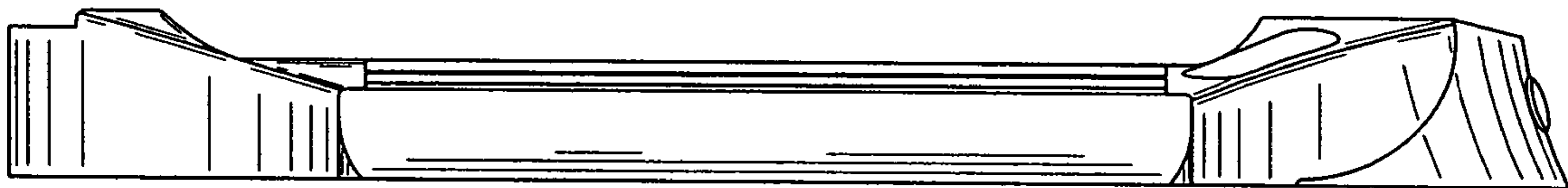


Fig. 6

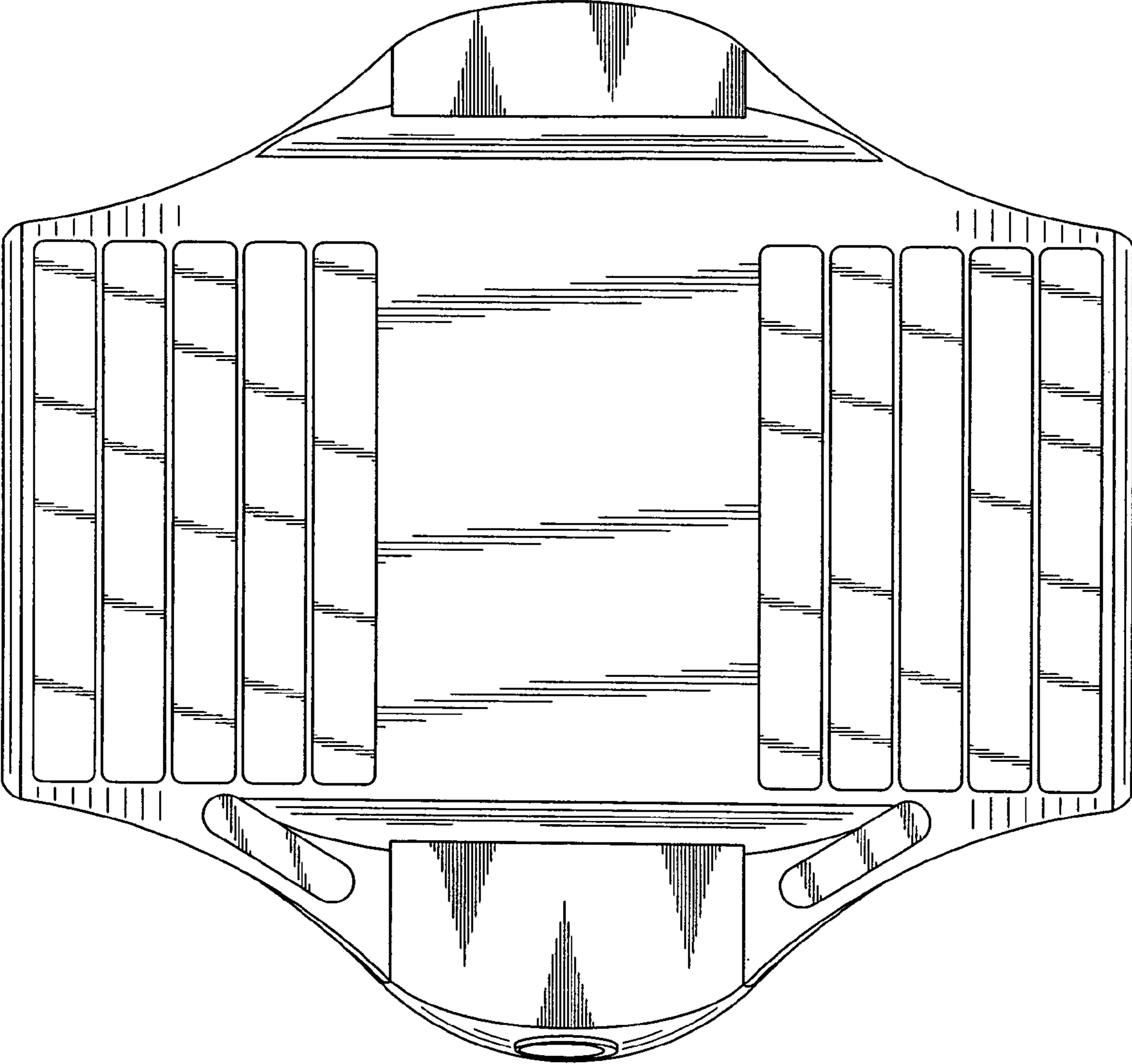


Fig. 7

