



US00D554895S

(12) **United States Design Patent**
Renard

(10) **Patent No.:** **US D554,895 S**

(45) **Date of Patent:** **** Nov. 13, 2007**

(54) **BUILD IN BIN**

(75) **Inventor:** **Philippe Marie Gerard Renard,**
Meeuwen-Gruitrode (BE)

(73) **Assignee:** **Brabantia Nederaland B.V.,** Waalre
(NL)

(**) **Term:** **14 Years**

(21) **Appl. No.:** **29/277,628**

(22) **Filed:** **Mar. 5, 2007**

(51) **LOC (8) Cl.** **06-04**

(52) **U.S. Cl.** **D6/440; D6/441**

(58) **Field of Classification Search** D6/432,
D6/433, 436, 440, 441, 443, 448, 475; D3/272,
D3/273, 294; D9/420, 422, 425; 206/508;
220/220; 312/114, 257.1

See application file for complete search history.

(56) **References Cited**

U.S. PATENT DOCUMENTS

D125,033 S * 2/1941 **Borroughs** D6/443

D293,746 S * 1/1988 **Sayward** D6/448
D378,636 S * 4/1997 **Chrisco** D6/443
D385,720 S * 11/1997 **Dickinson et al.** D6/440
D446,012 S * 8/2001 **Ashiwa et al.** D3/273
2005/0206280 A1 * 9/2005 **Mehmen et al.** 312/257.1

* cited by examiner

Primary Examiner—Mimosa De

(74) *Attorney, Agent, or Firm*—Abelman, Frayne & Schwab

(57) **CLAIM**

The ornamental design for a build in bin, as shown and described.

DESCRIPTION

FIG. 1 is a top front right side perspective view of a build in bin showing my new design;

FIG. 2 is a top plan view thereof;

FIG. 3 is a front elevational view thereof; and,

FIG. 4 is a right side elevational view thereof, with the left side being a mirror image thereof.

1 Claim, 2 Drawing Sheets

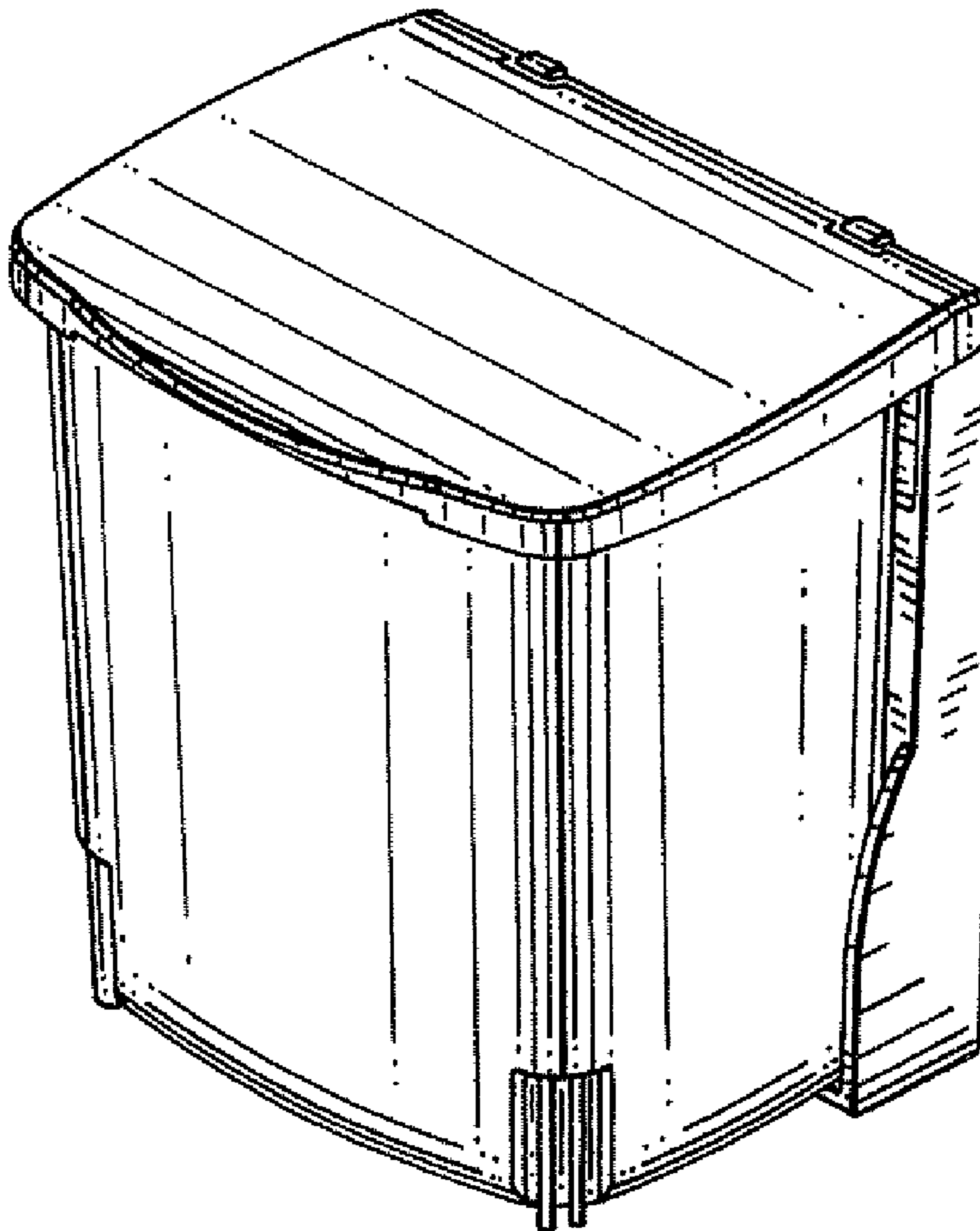


FIG. 1

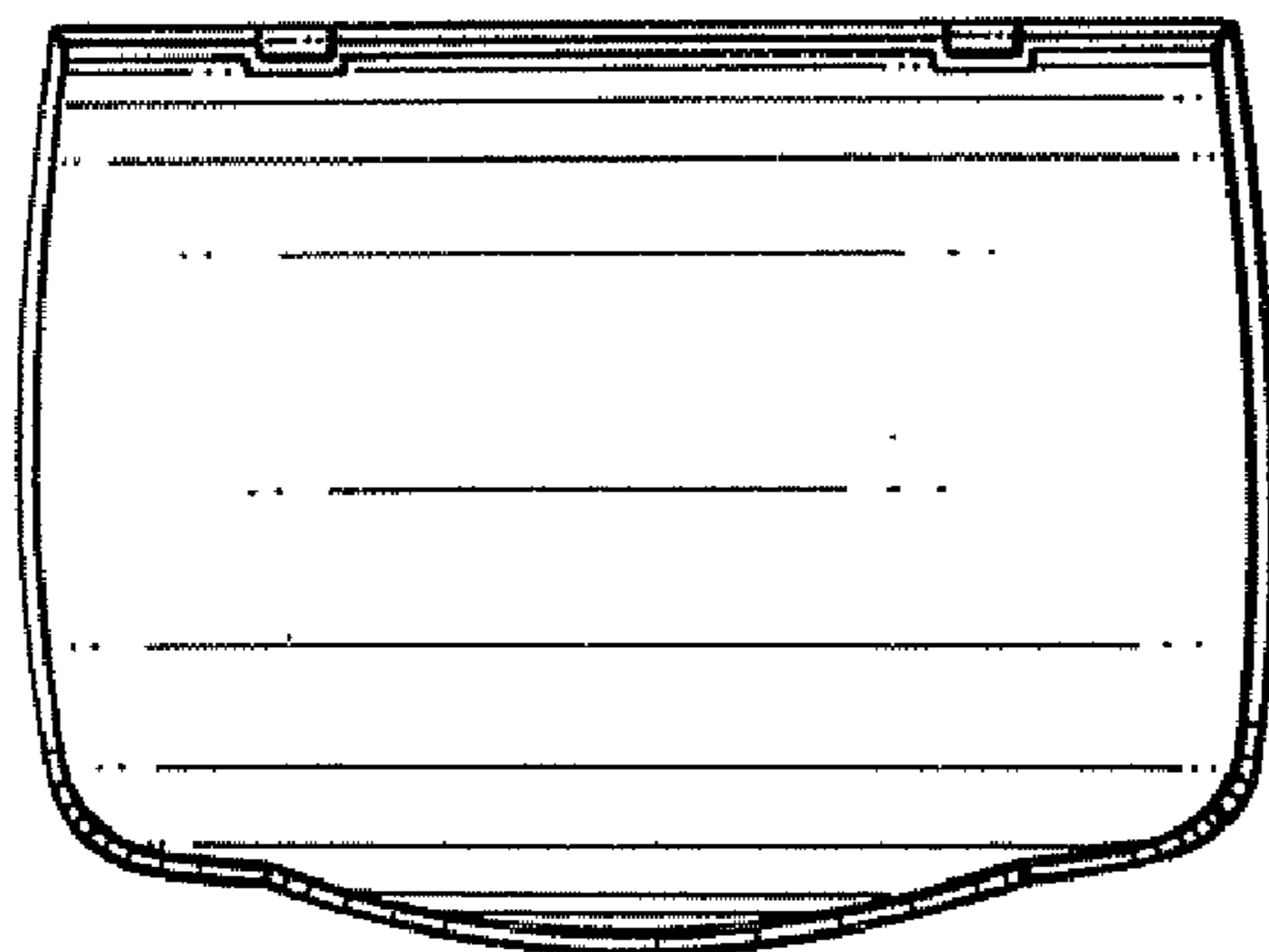
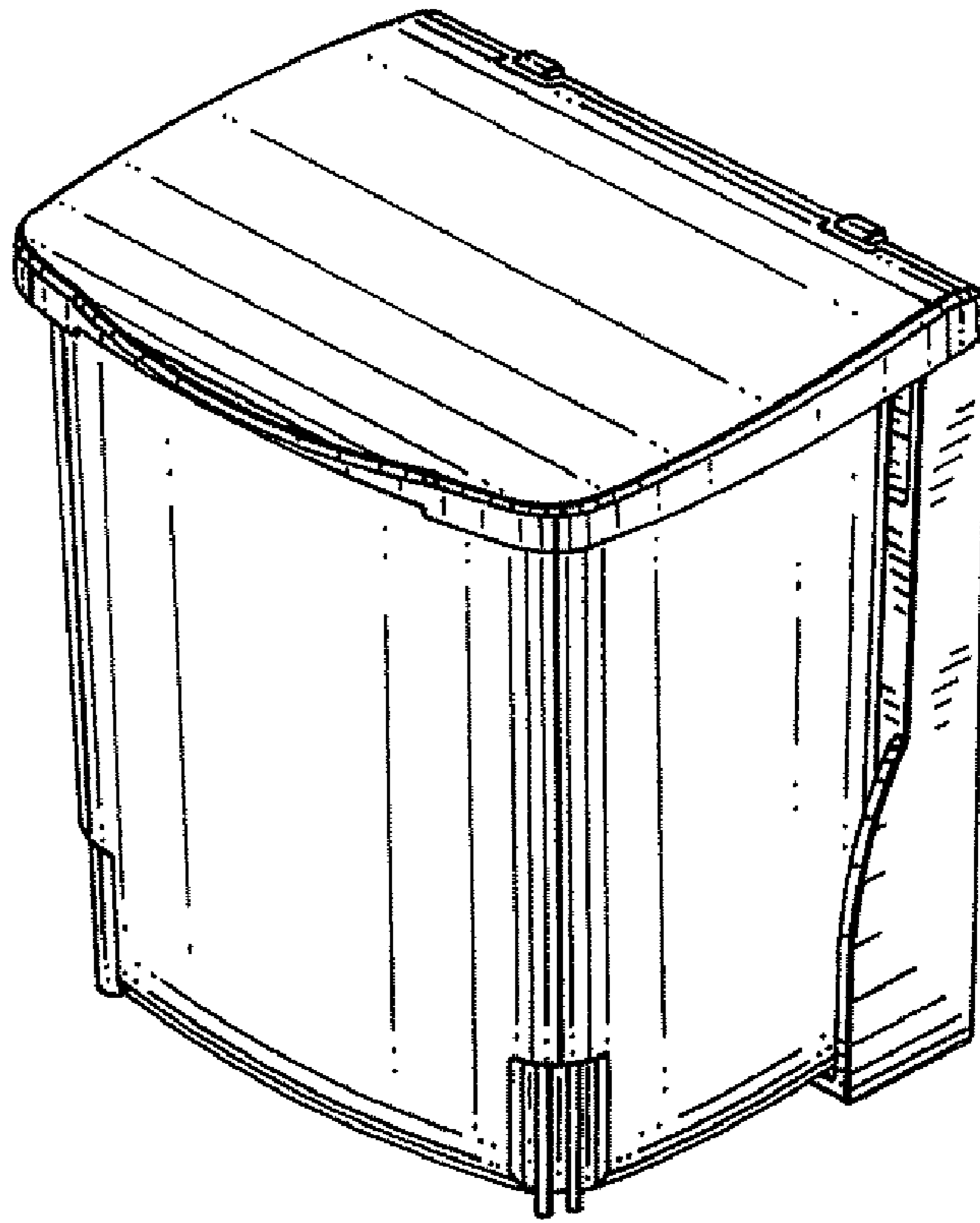


FIG. 2

FIG. 3

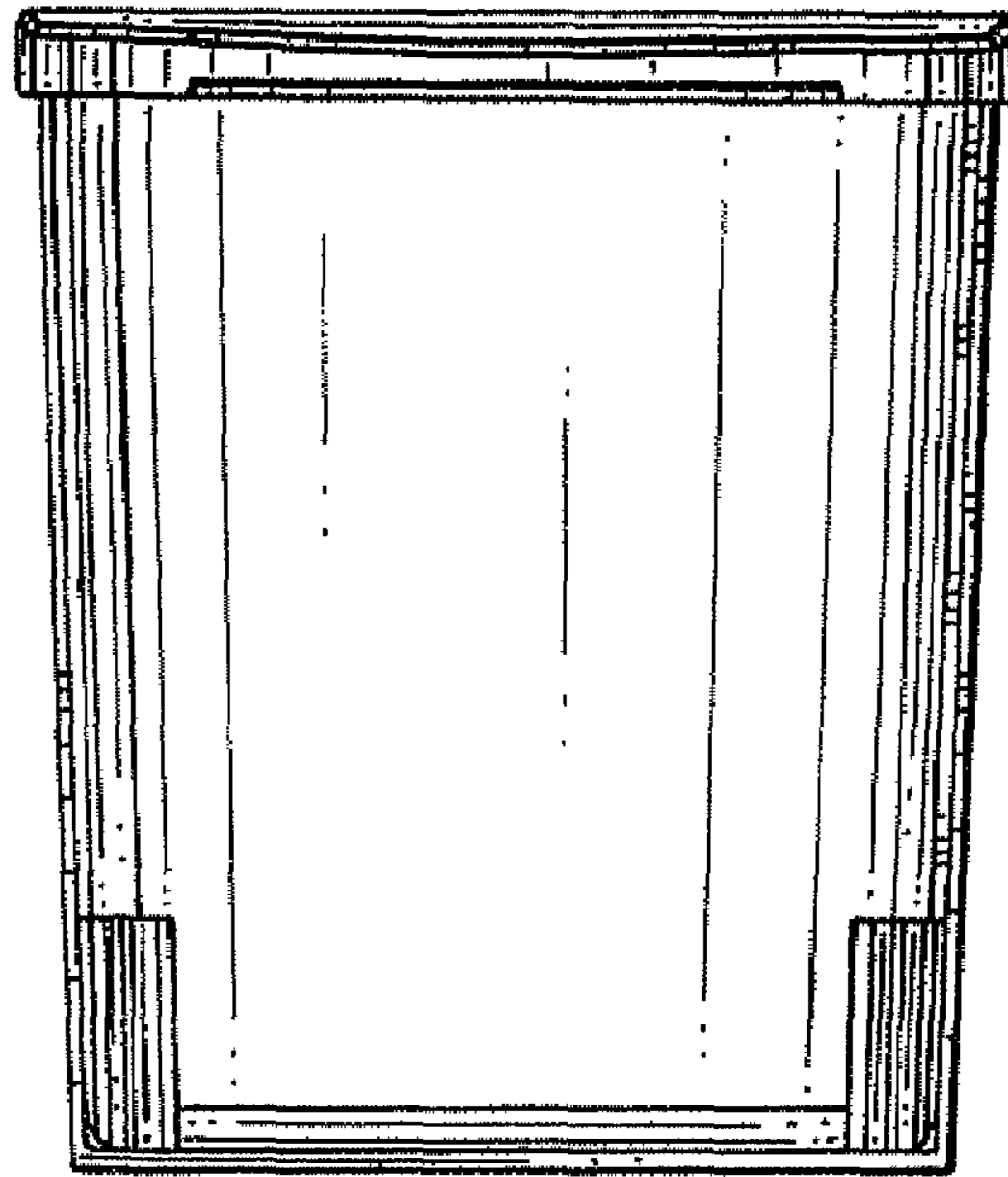


FIG. 4

