



US00D554890S

(12) **United States Design Patent** (10) **Patent No.:** **US D554,890 S**
Lee (45) **Date of Patent:** **** Nov. 13, 2007**

(54) **BUFFET**

(75) Inventor: **Rick Chang Lee**, San Francisco, CA (US)

(73) Assignee: **Elite Mfg. Corp.**, Santa Fe Springs, CA (US)

(**) Term: **14 Years**

(21) Appl. No.: **29/276,885**

(22) Filed: **Feb. 8, 2007**

(51) **LOC (8) Cl.** **06-04**

(52) **U.S. Cl.** **D6/436**

(58) **Field of Classification Search** D6/432-448,
D6/470; 312/138.1, 204, 224, 237, 257.1,
312/283

See application file for complete search history.

(56) **References Cited**

U.S. PATENT DOCUMENTS

D149,862 S *	6/1948	Douglas	D6/436
D243,903 S *	4/1977	Carter	D6/446
D244,074 S *	4/1977	Zola	D6/445
D266,295 S *	9/1982	Zola	D6/446
D449,747 S *	10/2001	Harwanko	D6/436
D478,432 S *	8/2003	Juneau	D6/436
D498,608 S *	11/2004	Lawson	D6/436

* cited by examiner

Primary Examiner—Mimosa De

(74) *Attorney, Agent, or Firm*—Marvin E. Jacobs

(57) **CLAIM**

The ornamental design of a buffet, as shown and described.

DESCRIPTION

A portion of the disclosure of this patent document contains material which is subject to copyright protection. This patent document may show and/or describe matter which is or may become trade dress of the owner. The copyright and trade dress owner has no objection to the facsimile reproduction by anyone of the patent disclosure as it appears in the Patent and Trademark Office patent files or records, but otherwise reserves all copyright and trade dress rights whatsoever.

FIG. 1 is a perspective view of a buffet.

FIG. 2 is a front elevational view of the buffet.

FIG. 3 is a left side elevational view of the buffet.

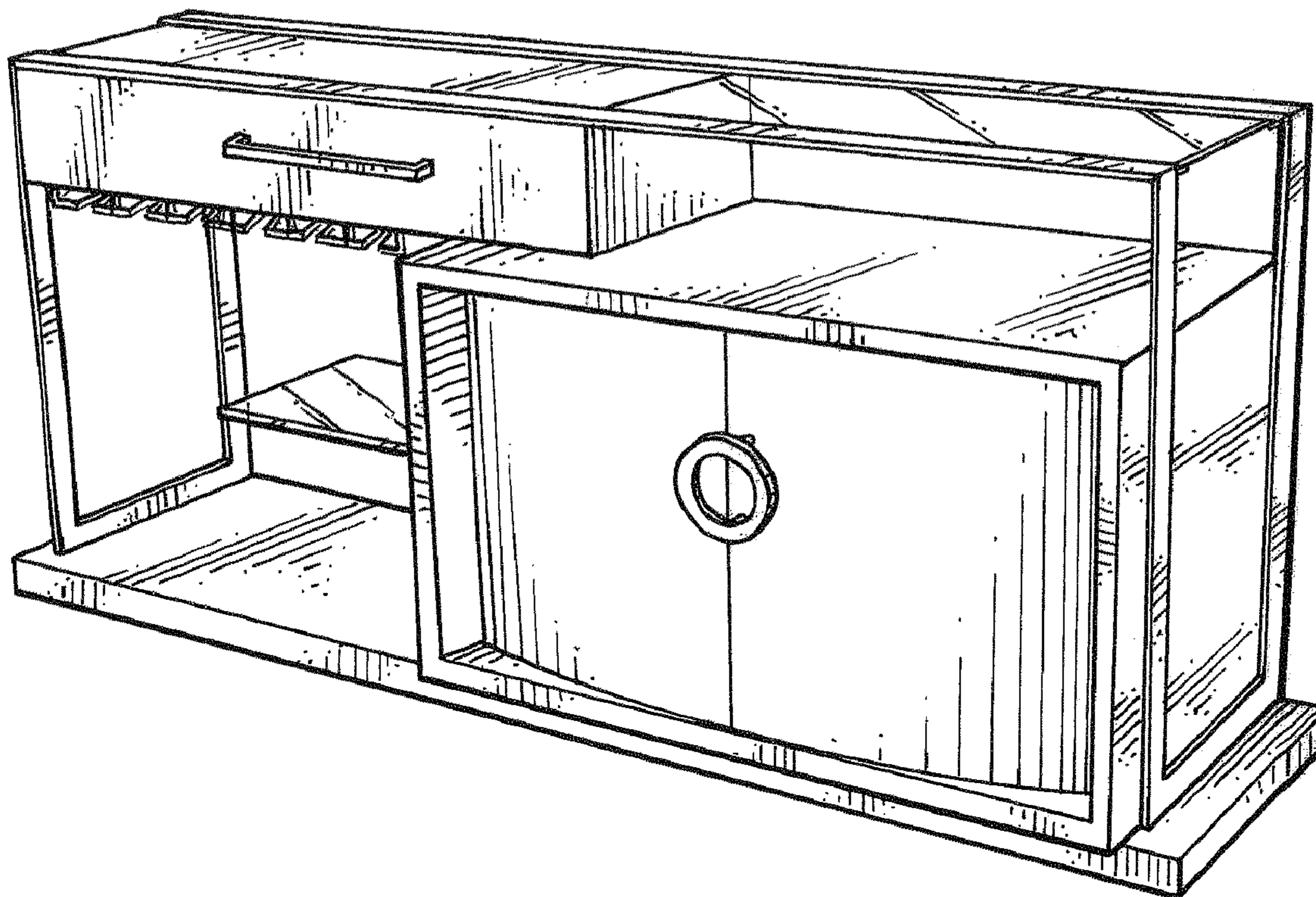
FIG. 4 is a right side elevational view of the buffet.

FIG. 5 is a rear elevational view of the buffet.

FIG. 6 is a top plan view of the buffet; and,

FIG. 7 is a bottom plan view of the buffet.

1 Claim, 7 Drawing Sheets



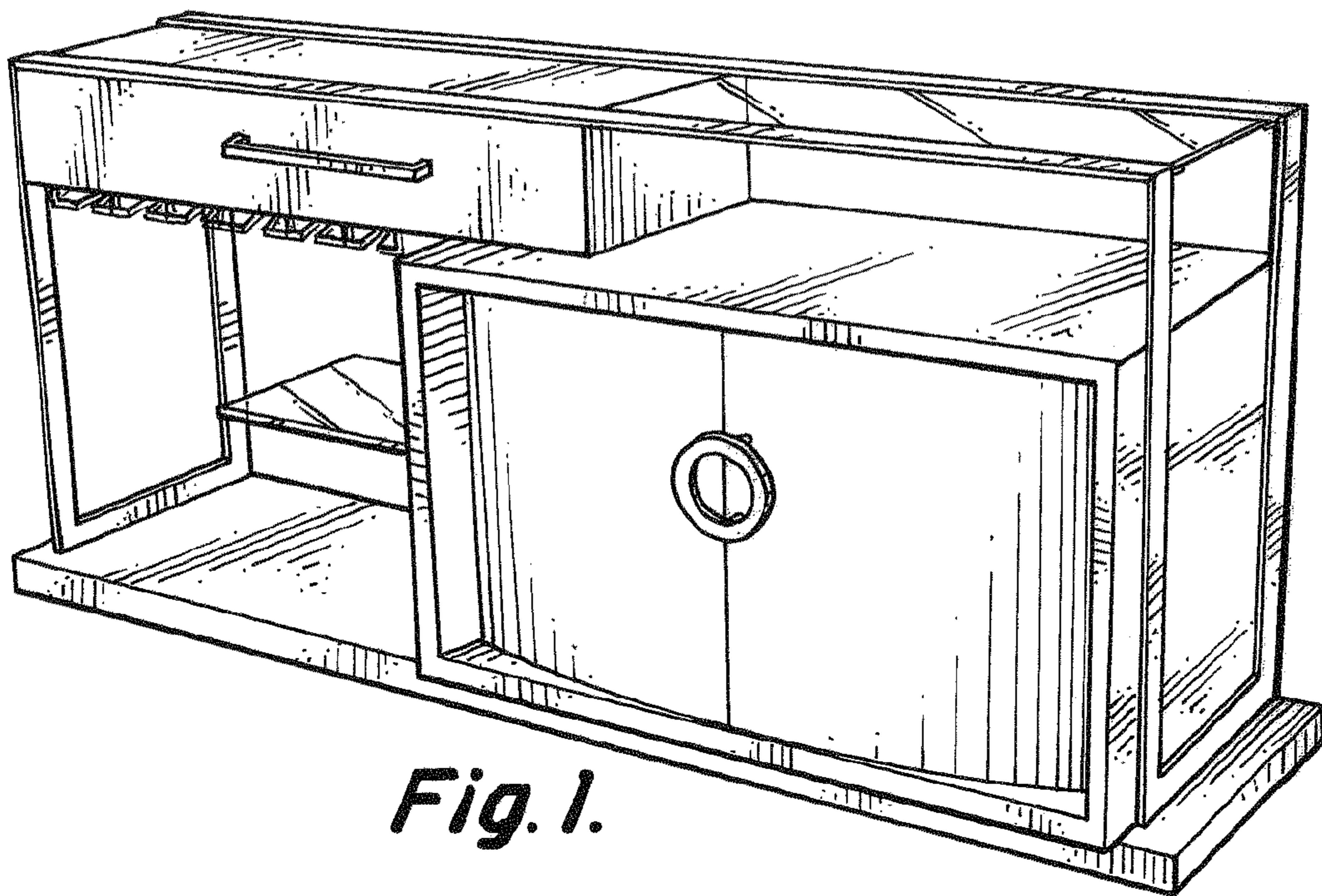


Fig. 1.

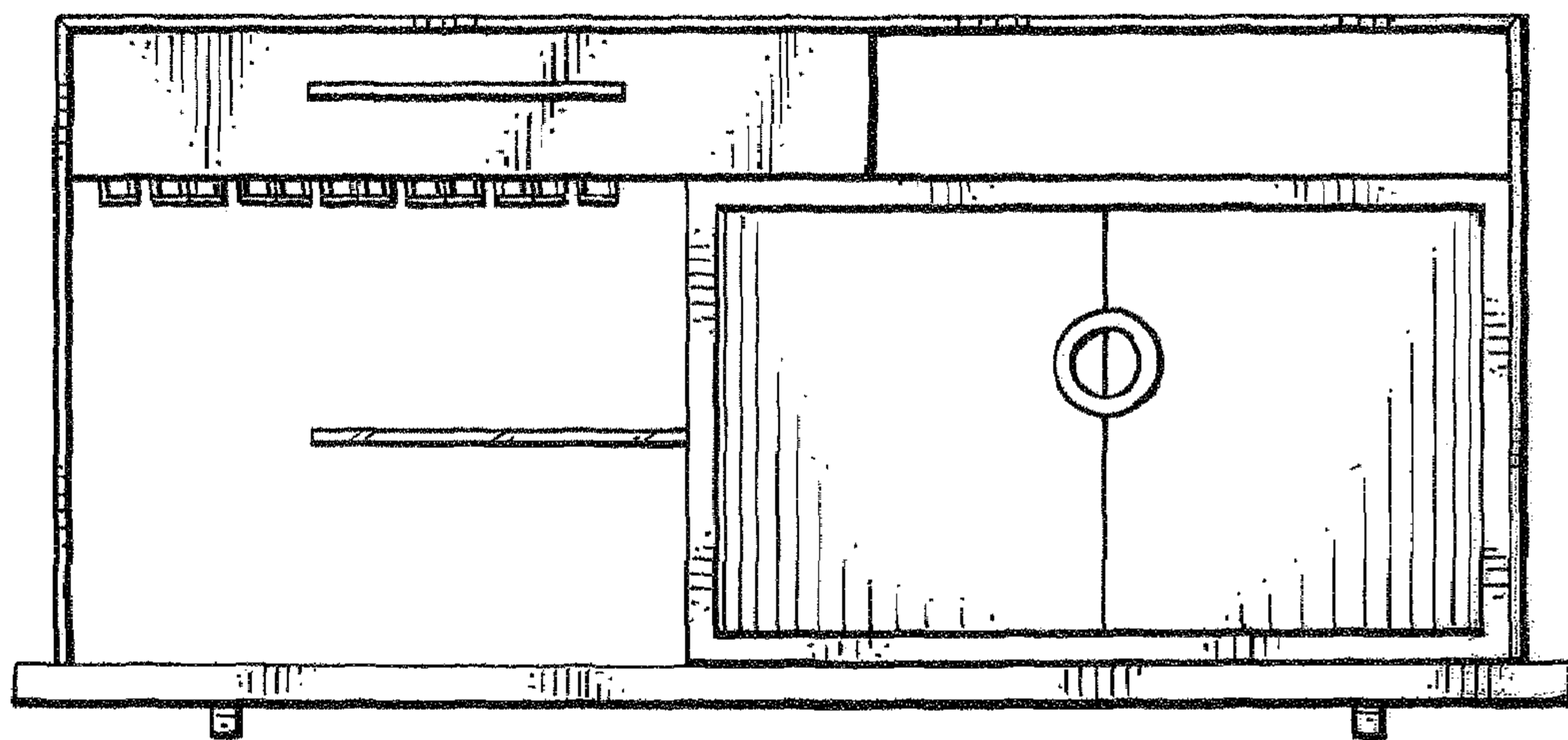


Fig. 2.

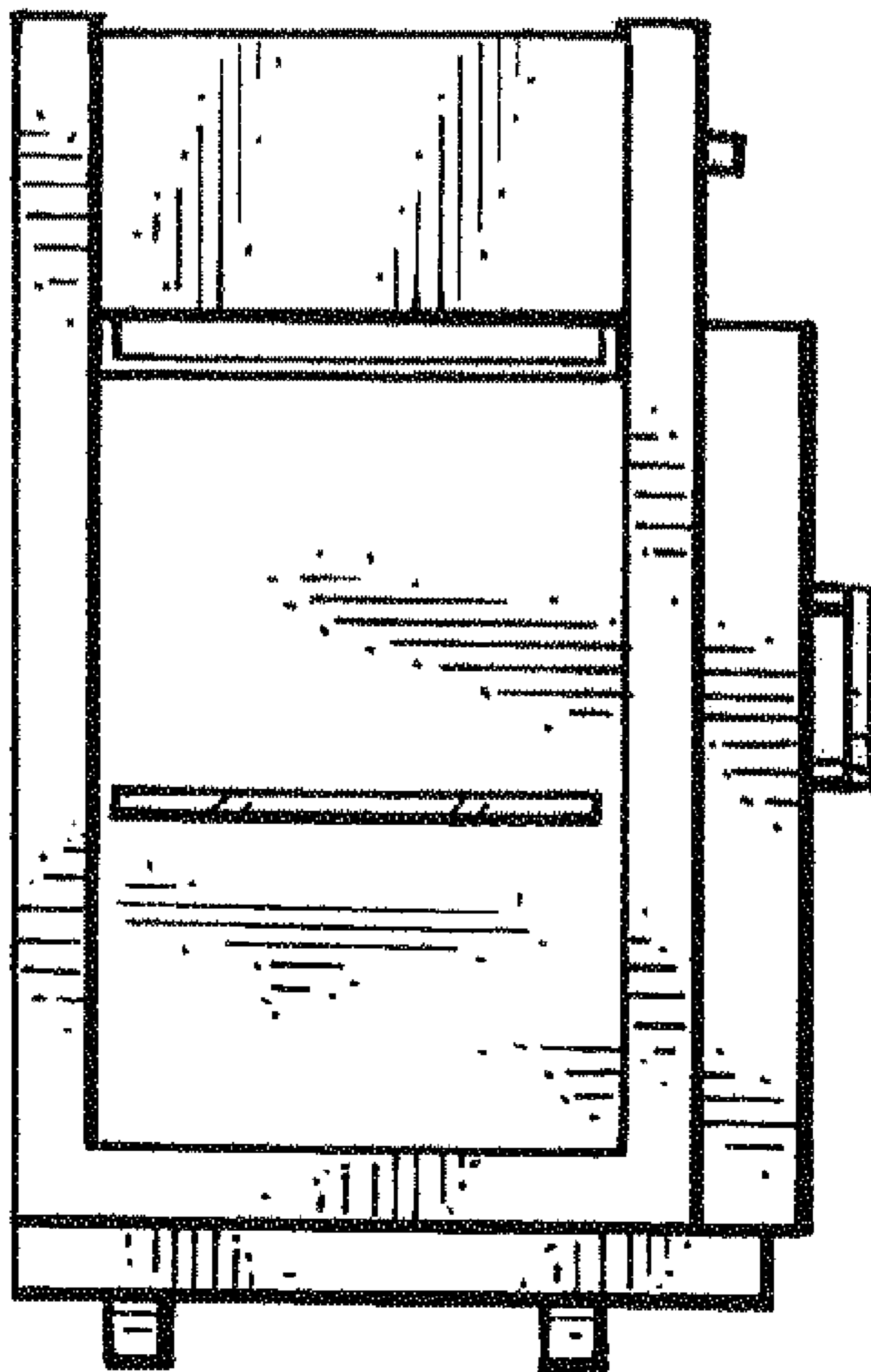


Fig. 3.

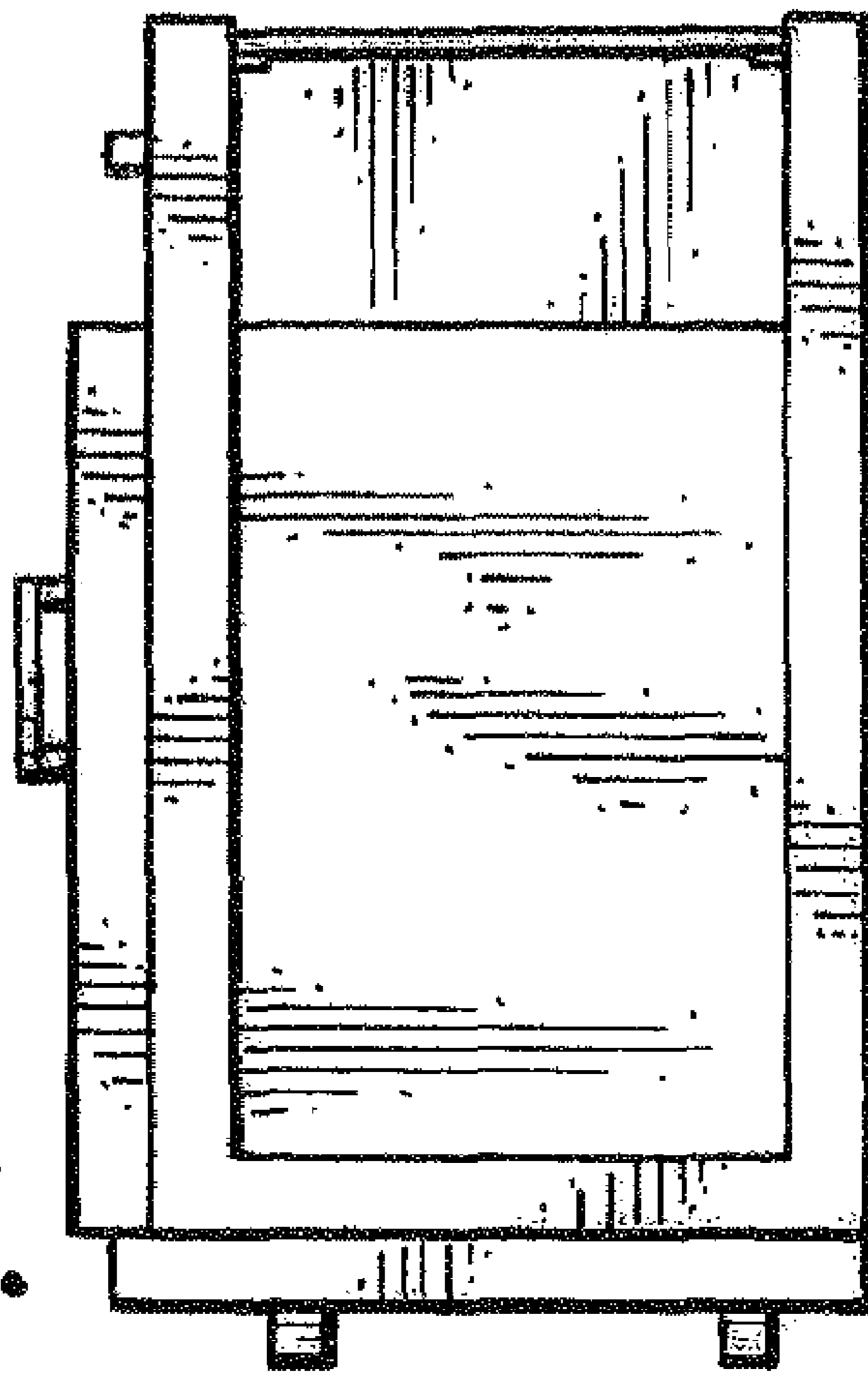


Fig. 4.

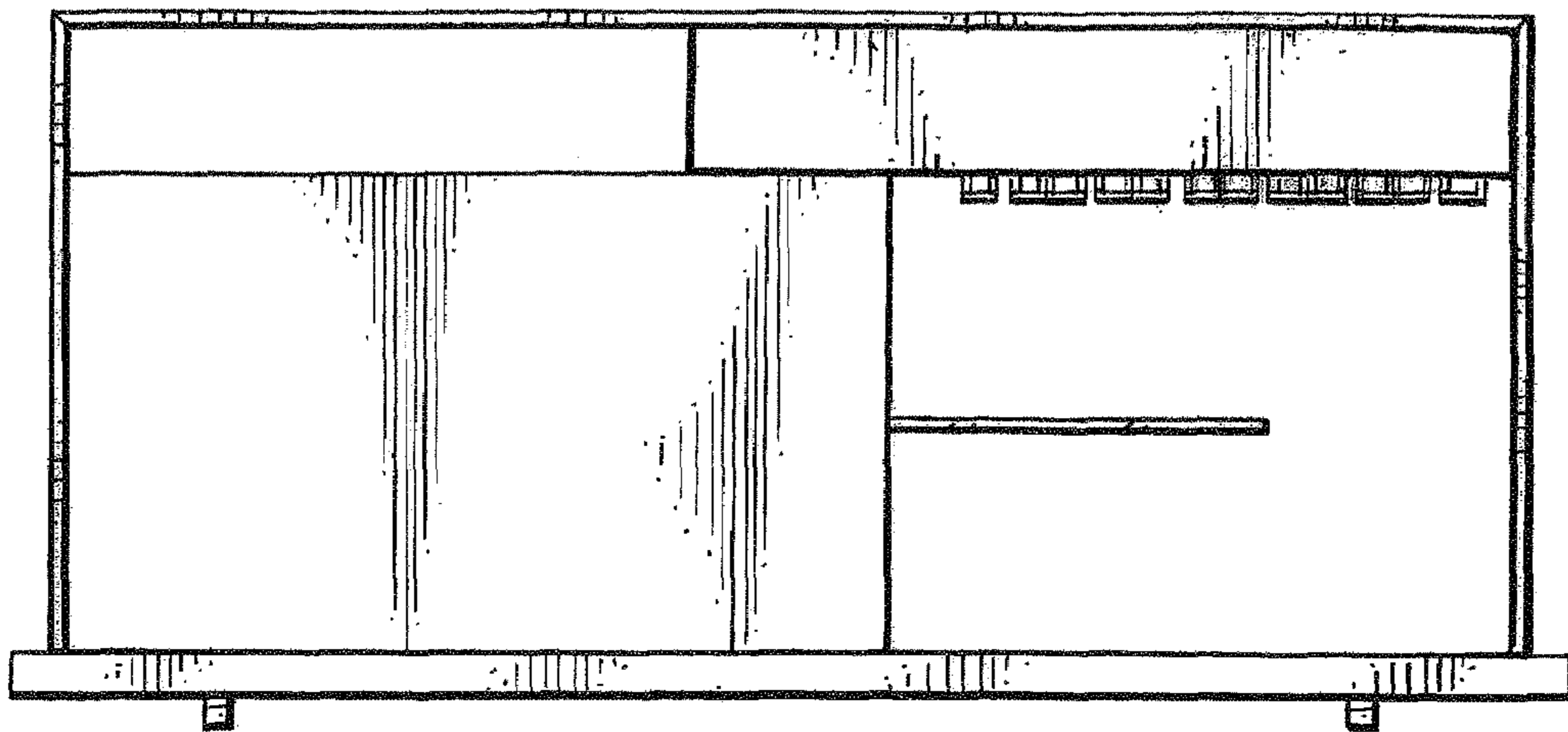


Fig. 5.

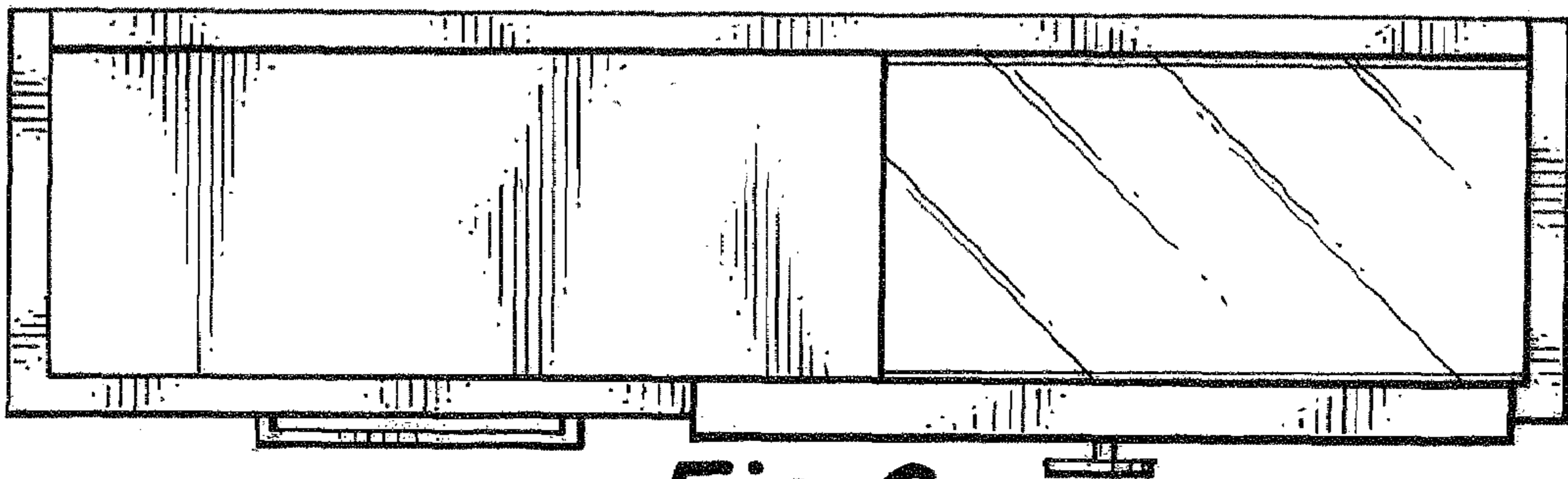


Fig. 6.

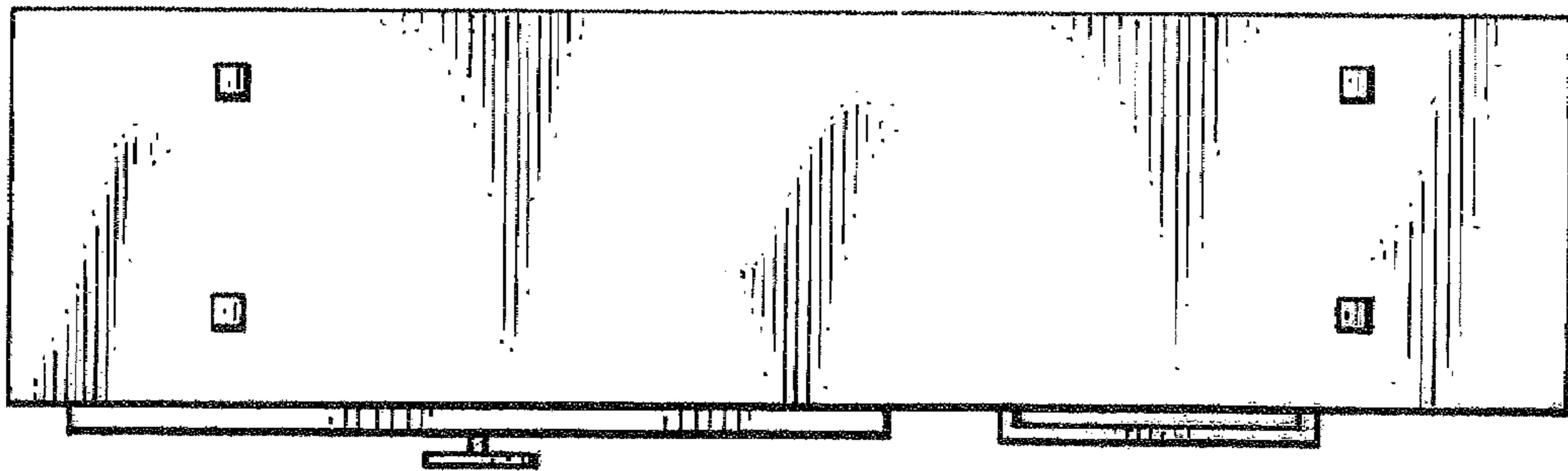


Fig. 7.