



US00D554888S

(12) **United States Design Patent**  
**Ciabatti**

(10) **Patent No.:** **US D554,888 S**

(45) **Date of Patent:** **\*\* Nov. 13, 2007**

(54) **EXTENDIBLE TABLE**

D475,869 S \* 6/2003 Jackson ..... D6/480

(75) Inventor: **Aldo Ciabatti**, Marsciano (IT)

\* cited by examiner

(73) Assignee: **EMU Group S.p.A.**, Marsciano (PG)  
(IT)

*Primary Examiner*—Janice E. Seeger

(\*\*) Term: **14 Years**

(57) **CLAIM**

(21) Appl. No.: **29/231,146**

I claim the ornamental design for an extendible table, as shown and described.

(22) Filed: **Jun. 1, 2005**

**DESCRIPTION**

(30) **Foreign Application Priority Data**

Dec. 1, 2004 (EM) ..... 000269873-0016

(51) **LOC (8) Cl.** ..... **06-03**

(52) **U.S. Cl.** ..... **D6/430; D6/480**

(58) **Field of Classification Search** ..... D6/480-489,  
D6/495-499, 422-426, 511, 429-431; 108/150,  
108/153.1, 155, 156, 157.1, 161, 157.18,  
108/69, 71, 75, 76; 248/188, 188.1

See application file for complete search history.

FIG. 1 is a perspective view of an extendible table prior to extension showing my new design;

FIG. 2 is a front elevational view thereof;

FIG. 3 is a left side elevational view thereof;

FIG. 4 is a perspective view of the extendible table in a semi-extended position;

FIG. 5 is a perspective view of the extendible table in a fully extended position; and,

FIG. 6 is a perspective detail view of the extendible table in an intermediate position between the semi-extended position and the fully extended position.

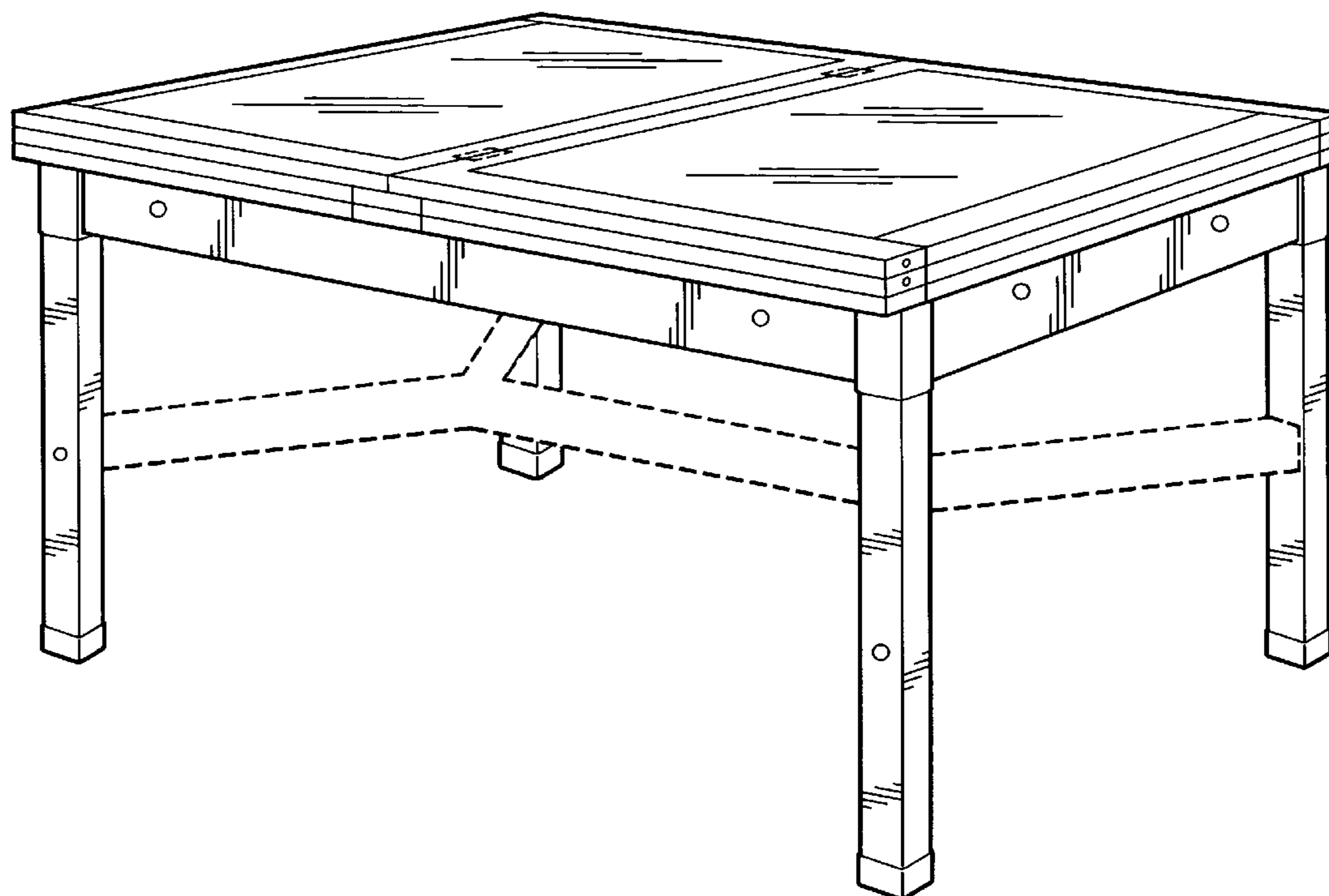
(56) **References Cited**

**U.S. PATENT DOCUMENTS**

- 2,614,013 A \* 10/1952 Langius ..... 108/69
- 2,707,138 A \* 4/1955 Vangor ..... 108/83
- 2,852,325 A \* 9/1958 Fosnaugh ..... 108/63
- D262,081 S \* 12/1981 Isbell ..... D6/484
- D454,267 S \* 3/2002 Sabo et al. .... D6/480

The stretchers between the leg members and the hinges between the table leaves are shown in broken lines because such stretchers are shown for environmental purposes only without being part of the claimed design.

**1 Claim, 6 Drawing Sheets**



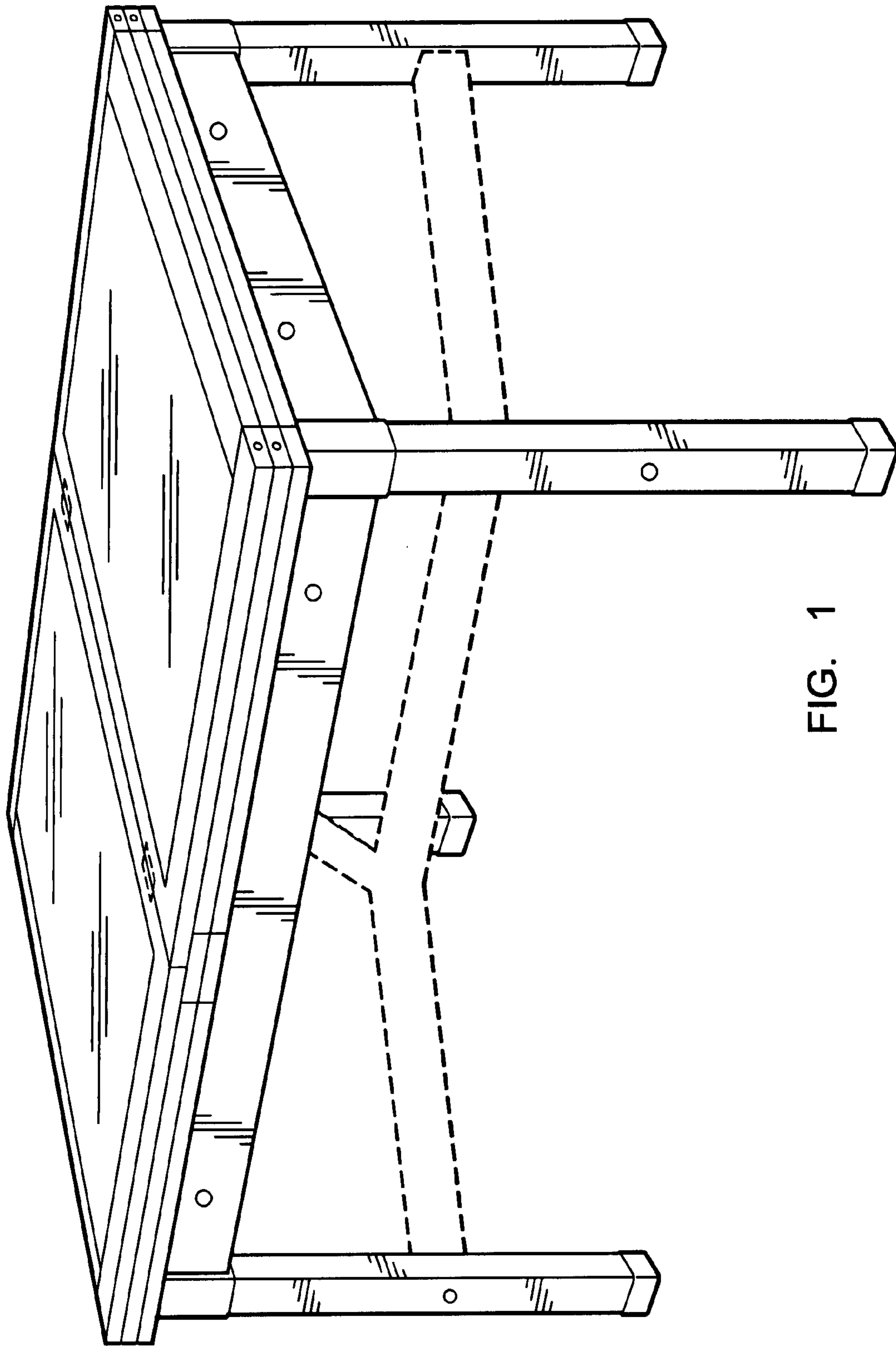


FIG. 1

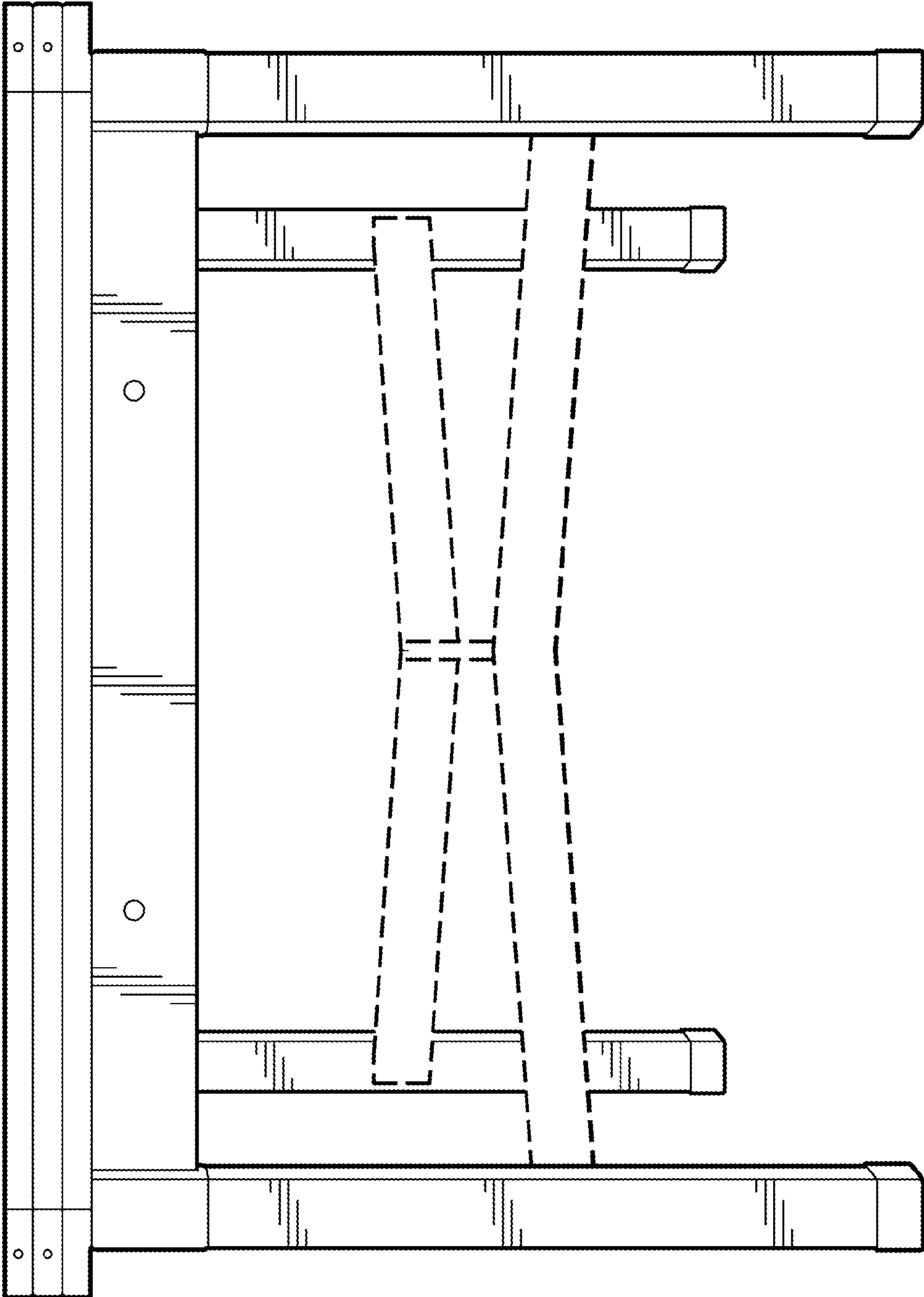


FIG. 2

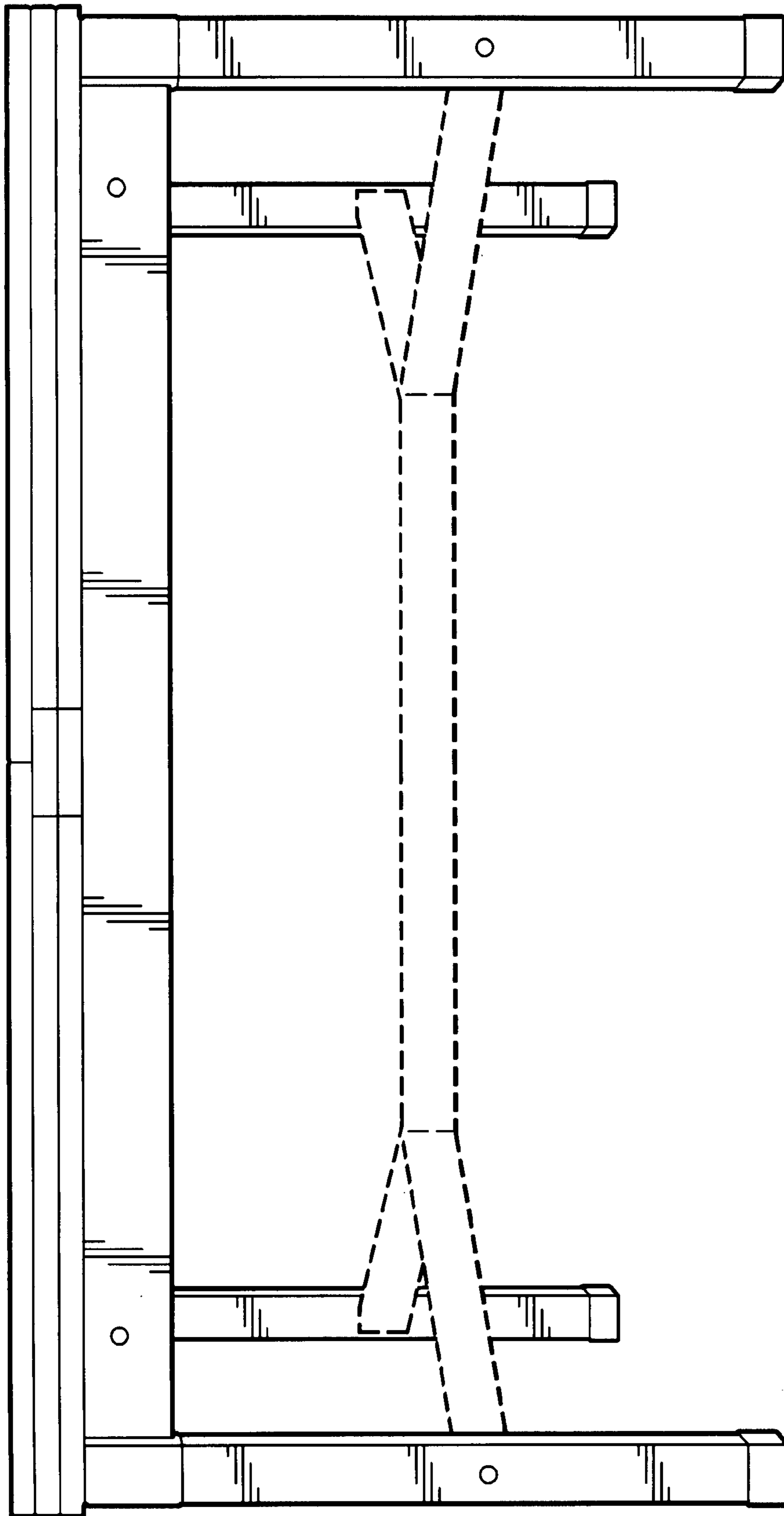


FIG. 3

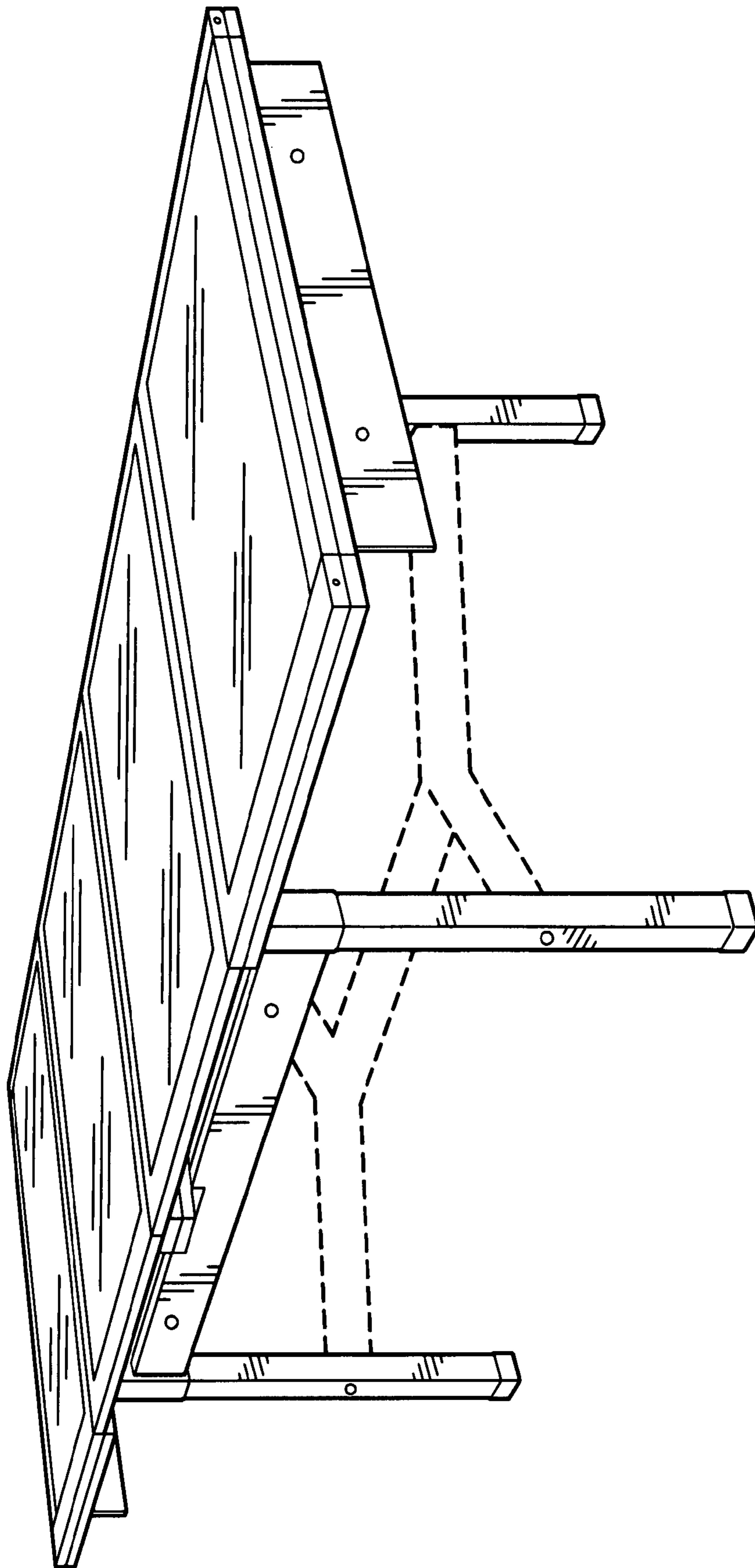


FIG. 4

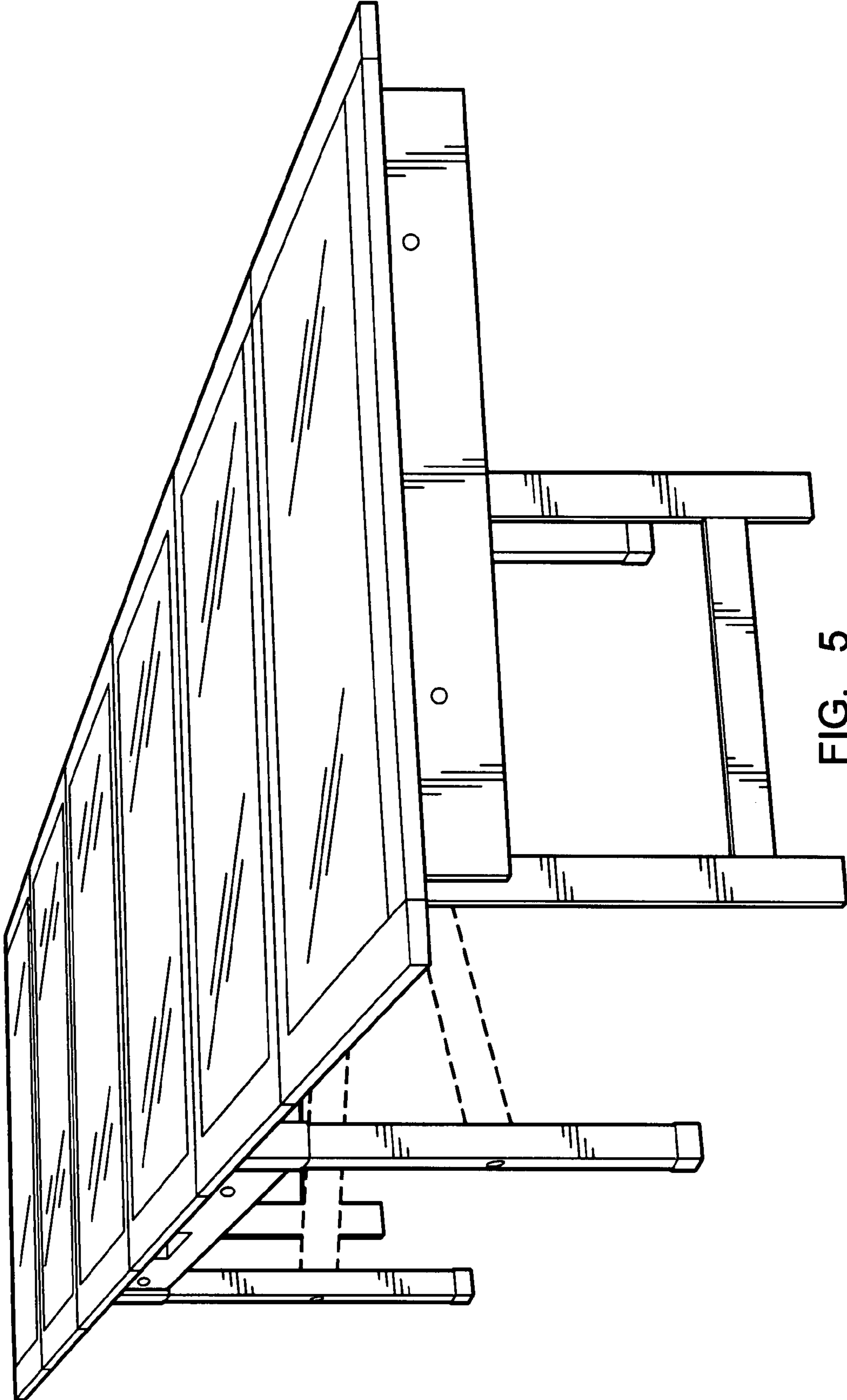


FIG. 5



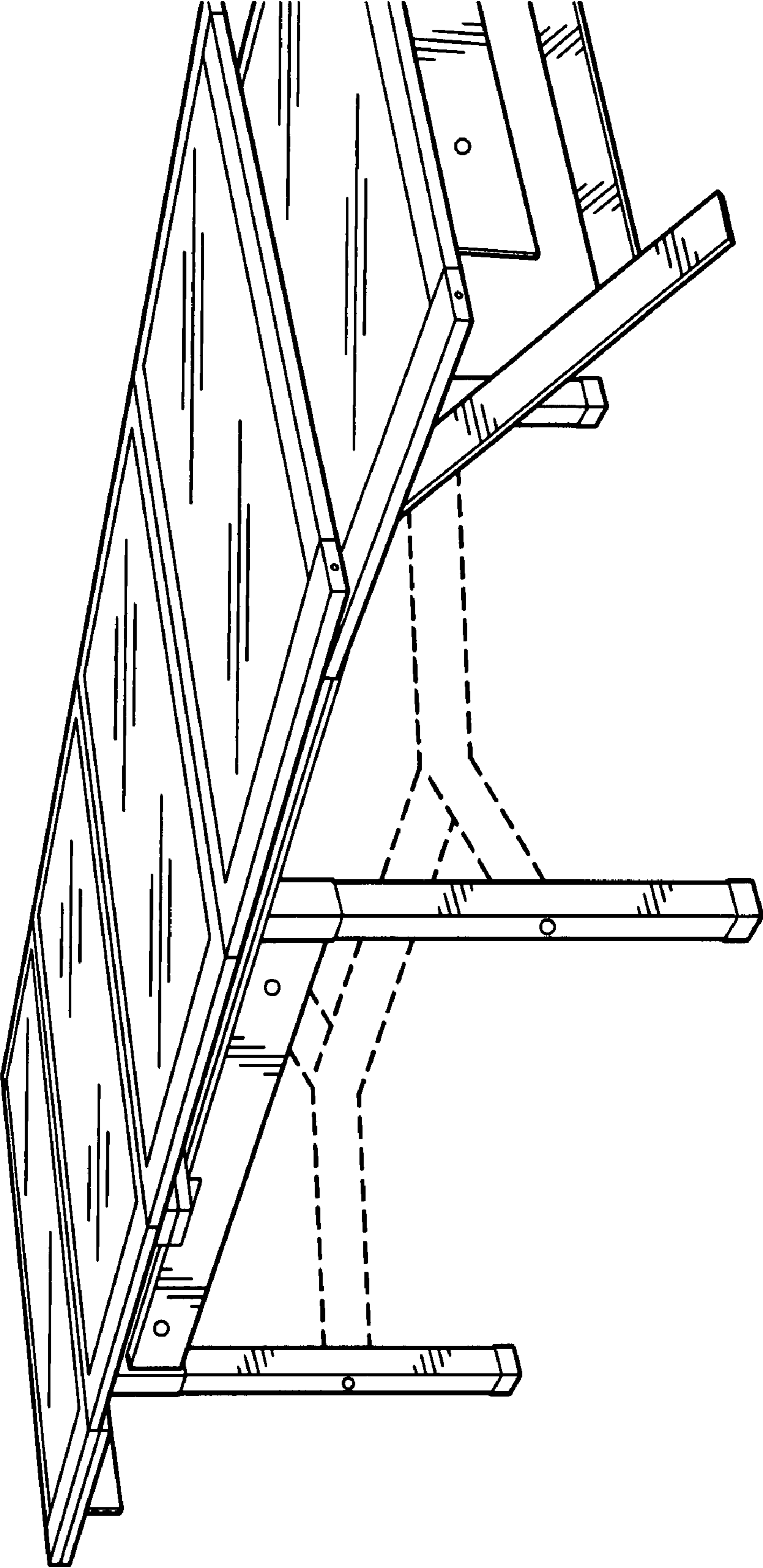


FIG. 6