



US00D554886S

(12) **United States Design Patent**
Henriott

(10) **Patent No.:** **US D554,886 S**

(45) **Date of Patent:** **** Nov. 13, 2007**

(54) **TRANSACTION COUNTER**

(75) Inventor: **Jay M. Henriott**, Jasper, IN (US)

(73) Assignee: **Kimball International, Inc.**, Jasper, IN (US)

(**) Term: **14 Years**

(21) Appl. No.: **29/246,967**

(22) Filed: **May 23, 2006**

(51) **LOC (8) Cl.** **06-04**

(52) **U.S. Cl.** **D6/402**

(58) **Field of Classification Search** D6/429,
D6/396-397, 509-511, 402, 430, 451; 108/119;
248/118.6

See application file for complete search history.

(56) **References Cited**

U.S. PATENT DOCUMENTS

D114,203 S	4/1939	Wright	
D128,791 S	8/1941	Ullery	
D284,629 S *	7/1986	Hamami	D6/445
D331,505 S *	12/1992	Sylvester	D6/429
D350,446 S *	9/1994	Sauvage	D6/487
D378,715 S *	4/1997	Dewitt	D6/402

D380,320 S *	7/1997	Grazioli	D6/480
D380,321 S *	7/1997	Grazioli	D6/480
D391,416 S	3/1998	Canton Gongora et al.	
5,992,332 A	11/1999	Grabowski	
D435,183 S *	12/2000	DeWitt	D6/509
D478,225 S	8/2003	Wang	
D539,063 S *	3/2007	Haag	D6/511

* cited by examiner

Primary Examiner—Cathron C. Brooks

Assistant Examiner—Kelley A. Donnelly

(74) *Attorney, Agent, or Firm*—Baker & Daniels LLP

(57) **CLAIM**

The ornamental design for a transaction counter, as shown.

DESCRIPTION

FIG. 1 is a perspective view of a transaction counter according to my new design;

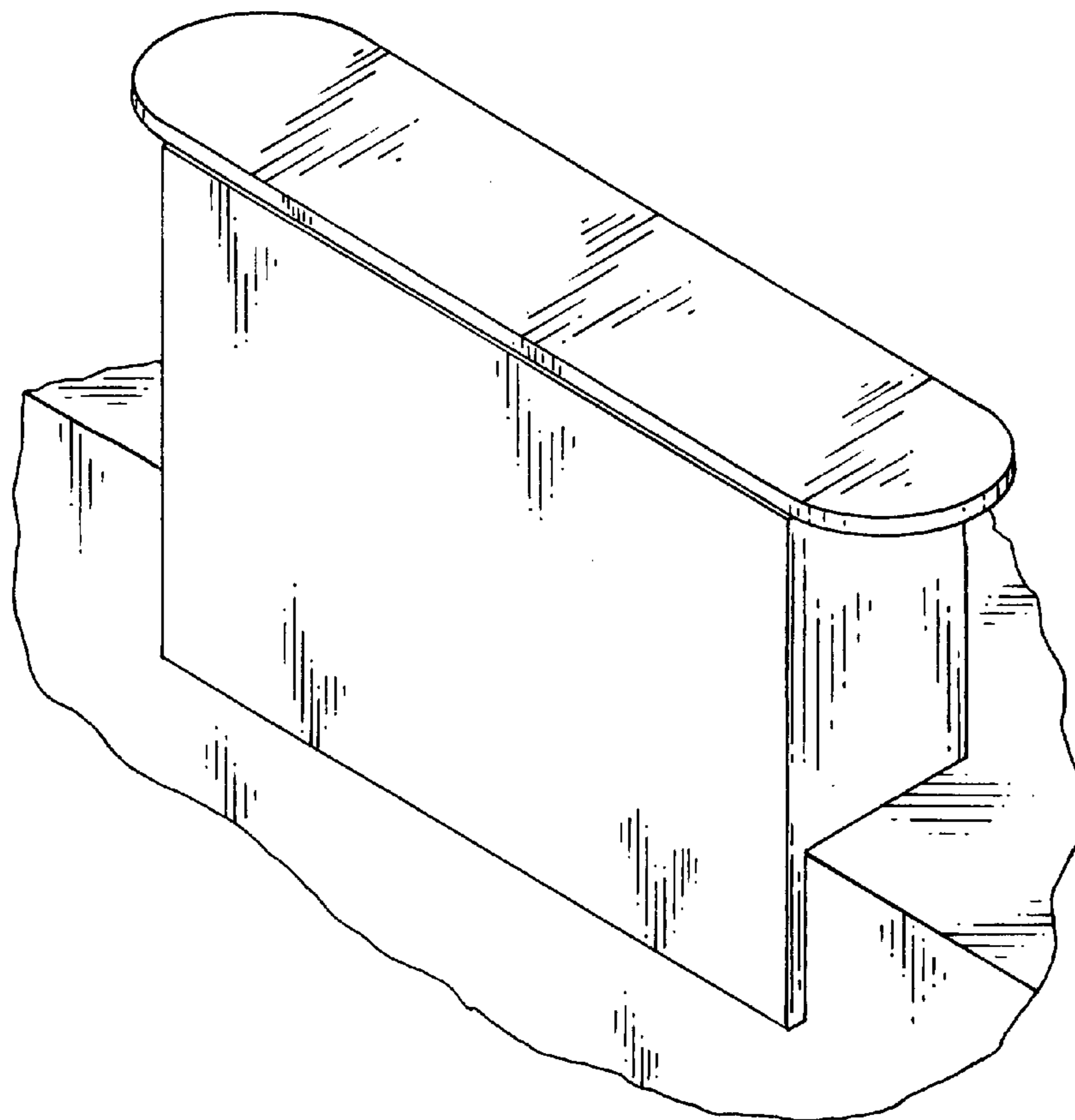
FIG. 2 is a front view thereof;

FIG. 3 is a right side view thereof;

FIG. 4 is a left side view thereof; and,

FIG. 5 is a top view thereof.

1 Claim, 2 Drawing Sheets



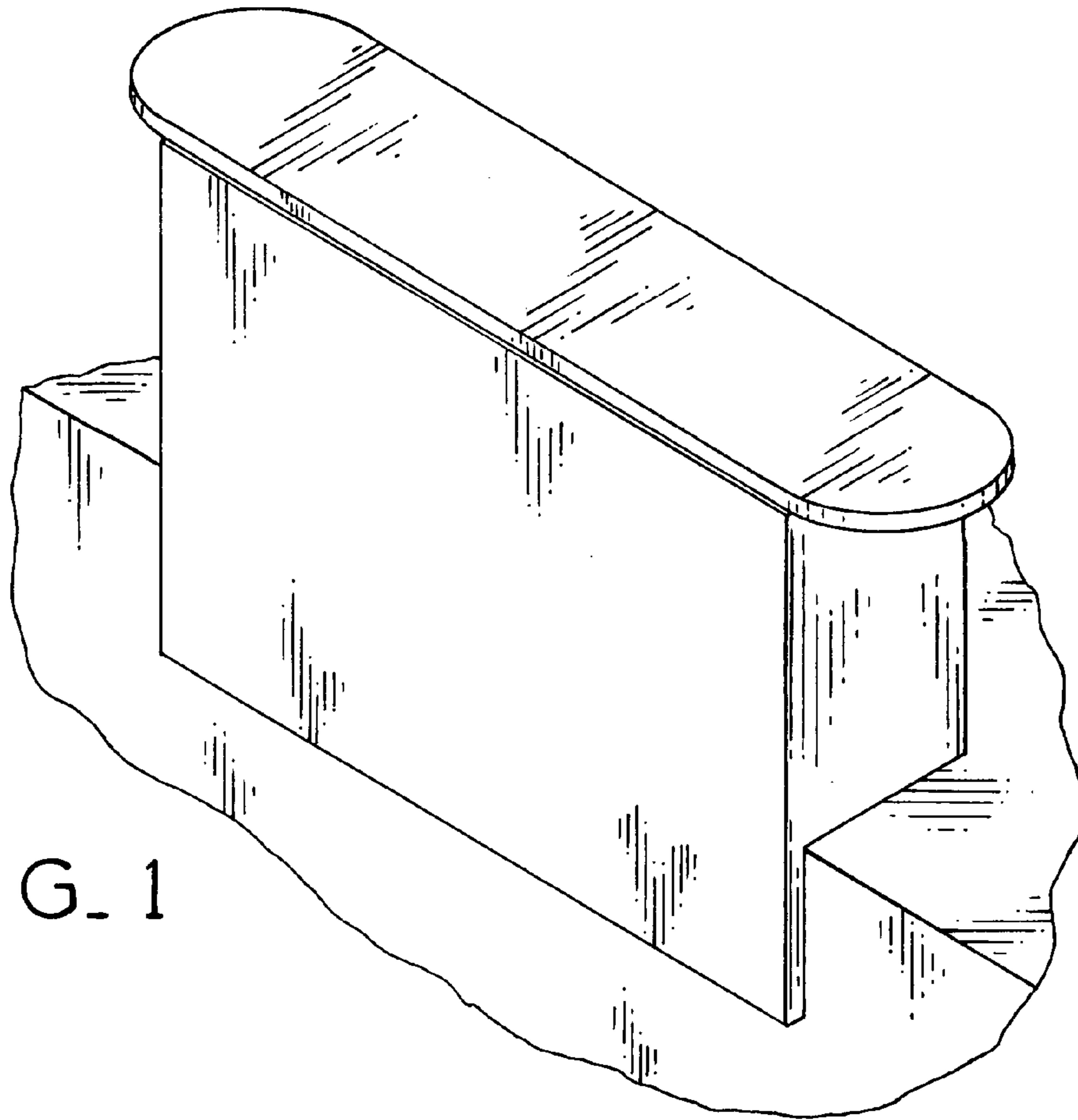


FIG. 1

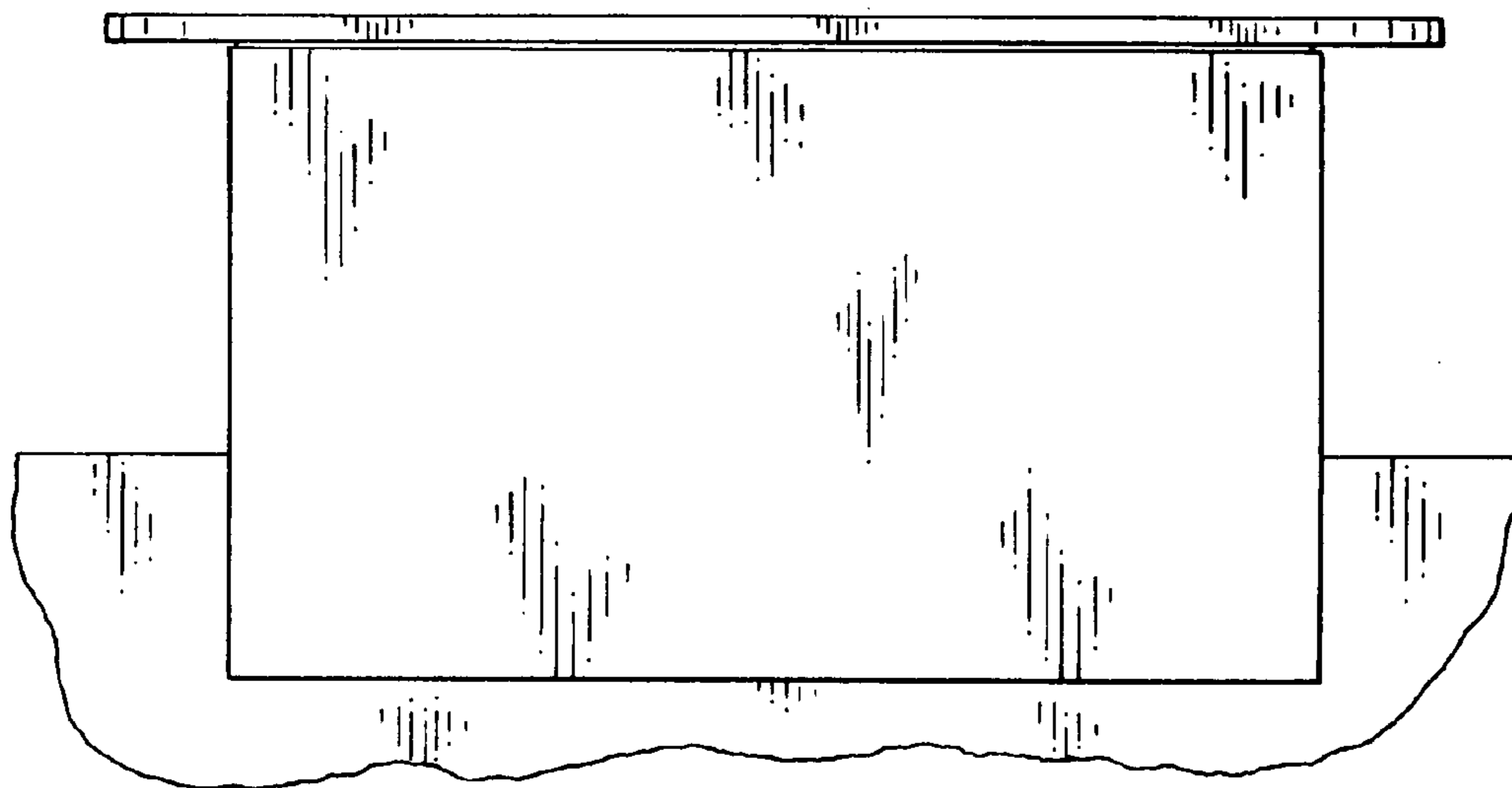


FIG. 2

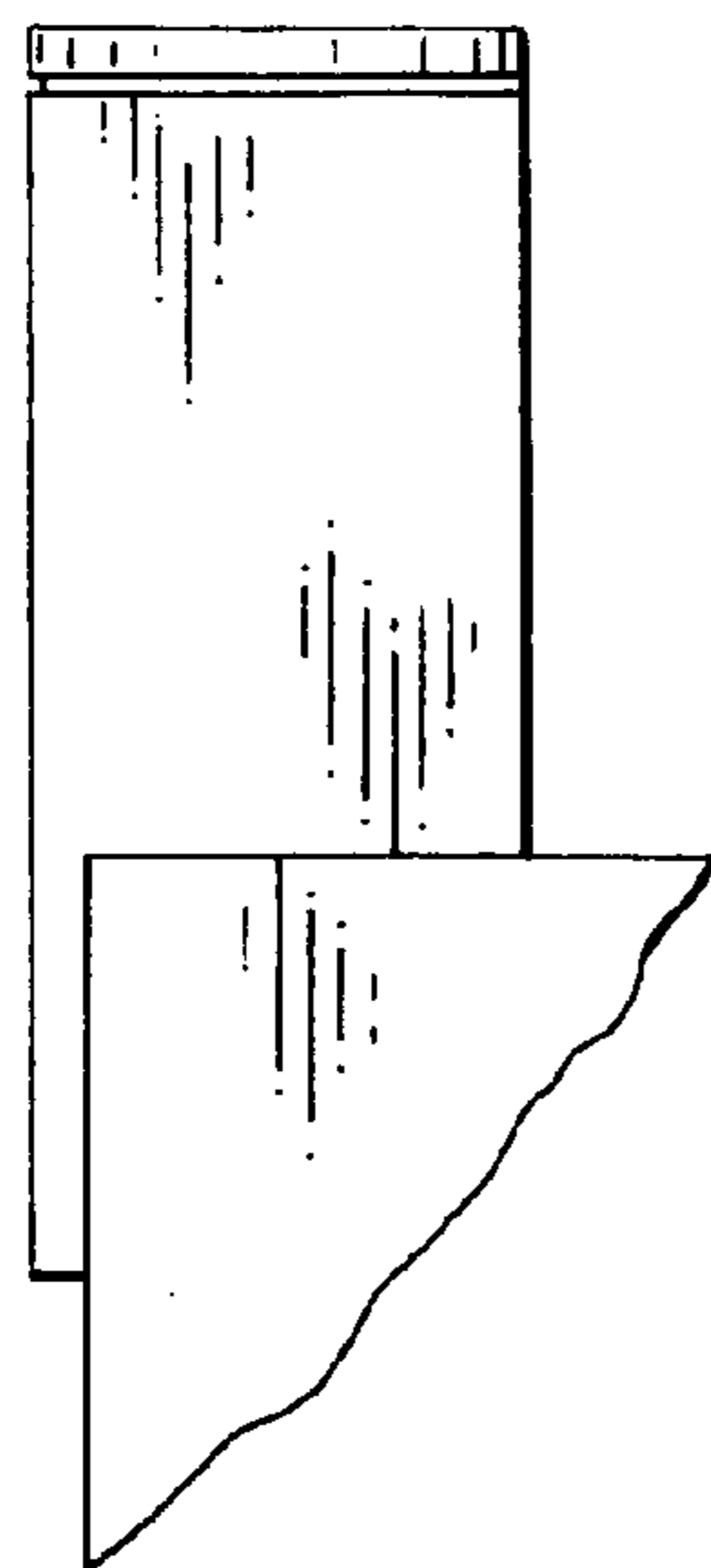


FIG. 3

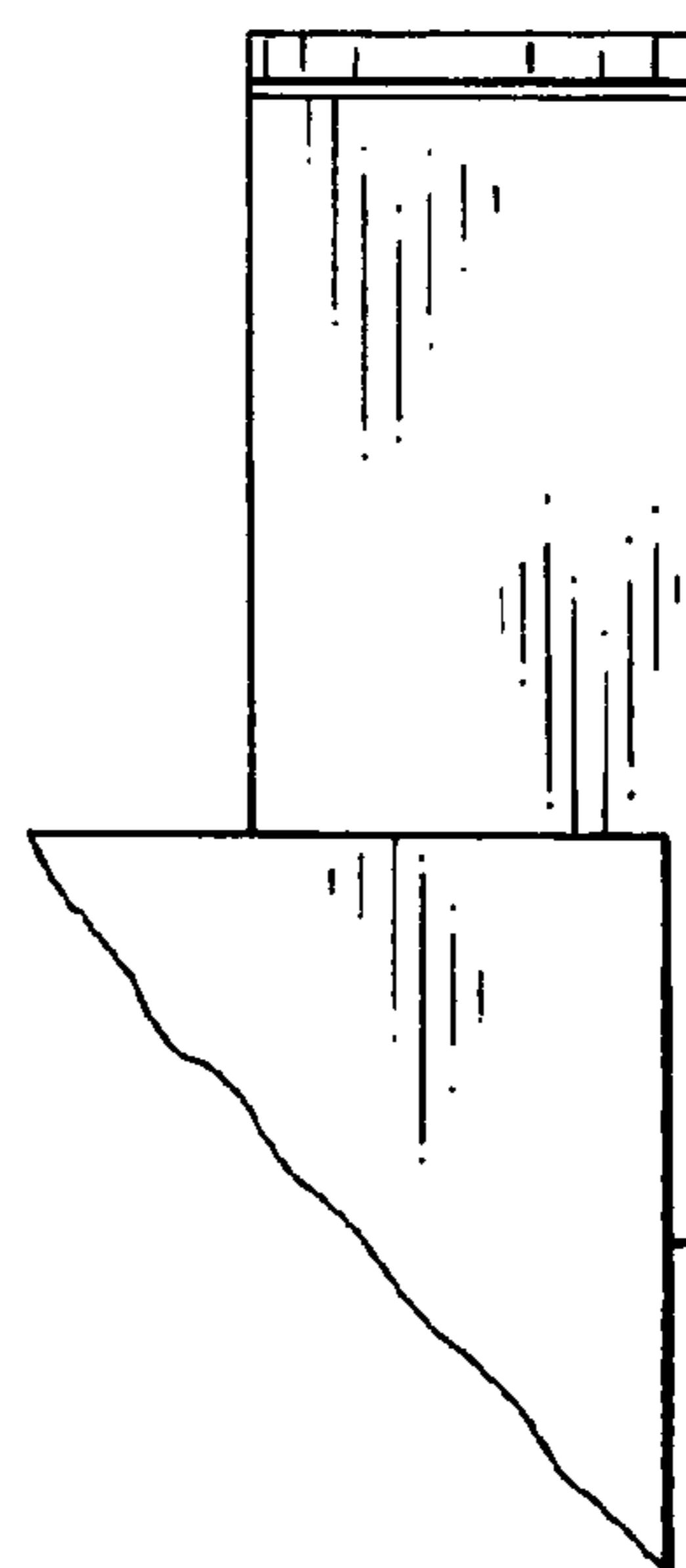


FIG. 4

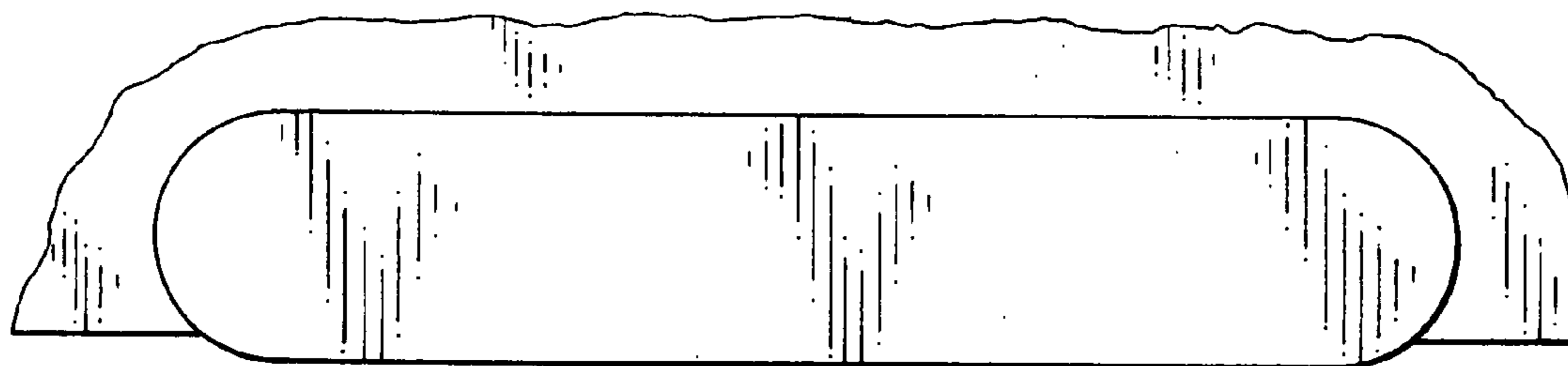


FIG. 5