



US00D554884S

(12) **United States Design Patent**
Soressi

(10) **Patent No.:** **US D554,884 S**

(45) **Date of Patent:** **** Nov. 13, 2007**

(54) **BED**

4,437,704 A * 3/1984 Hovsepian 297/440.17
D280,155 S * 8/1985 Matthias D6/383

(75) Inventor: **Giorgio Soressi**, Treviso (IT)

(73) Assignee: **Mobili Malerba s.n.c. Di Malerba Nunzio & C.**, Mombaroccio (Pesaro) (IT)

(**) Term: **14 Years**

(21) Appl. No.: **29/262,778**

(22) Filed: **Jul. 11, 2006**

(30) **Foreign Application Priority Data**

Mar. 19, 2006 (EM) I 0497847-0003

(51) **LOC (8) Cl.** **06-01**

(52) **U.S. Cl.** **D6/393**

(58) **Field of Classification Search** D6/382-383,
D6/389-395, 505-508, 503; 5/53.1, 279,
5/280, 281, 907, 491, 657.5

See application file for complete search history.

(56) **References Cited**

U.S. PATENT DOCUMENTS

1,076,651 A * 10/1913 Fairfield 5/491
D271,449 S * 11/1983 Dennis D6/393

OTHER PUBLICATIONS

Domus, Sep. 1987, p. 687, bed in center.*

* cited by examiner

Primary Examiner—Janice E. Seeger

(74) *Attorney, Agent, or Firm*—Gardere Wynne Sewell, LLP

(57) **CLAIM**

The ornamental design for a bed, as shown and described.

DESCRIPTION

FIG. 1 is a perspective view of a bed in accordance with my invention;

FIG. 2 is a front elevation view of the bed shown in FIG. 1;

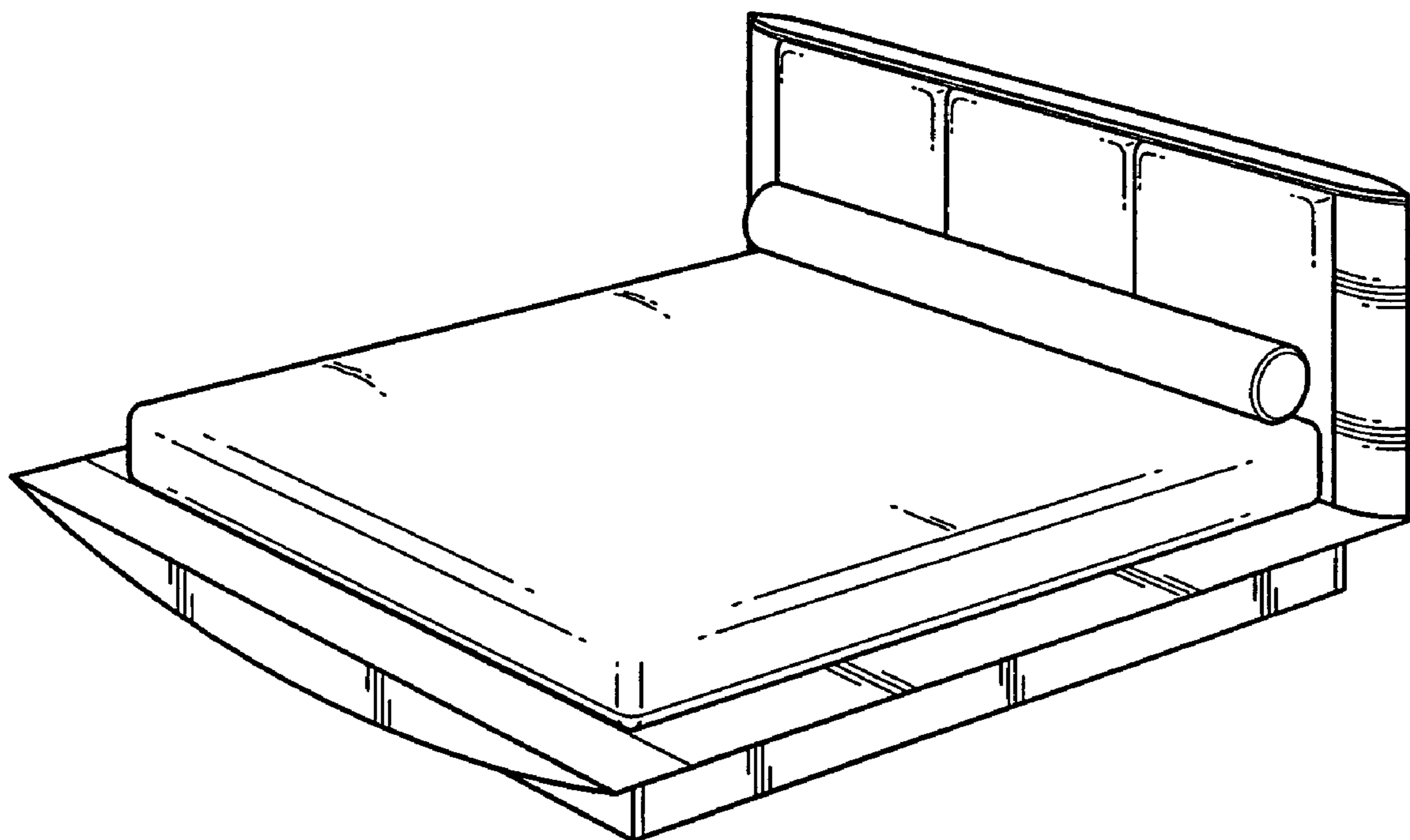
FIG. 3 is a rear elevation view of the bed shown in FIG. 1;

FIG. 4 is a right side elevation view of the bed shown in FIG. 1;

FIG. 5 is a left side elevation view of the bed shown in FIG. 1; and,

FIG. 6 is a top plan view of the bed shown in FIG. 1.

1 Claim, 4 Drawing Sheets



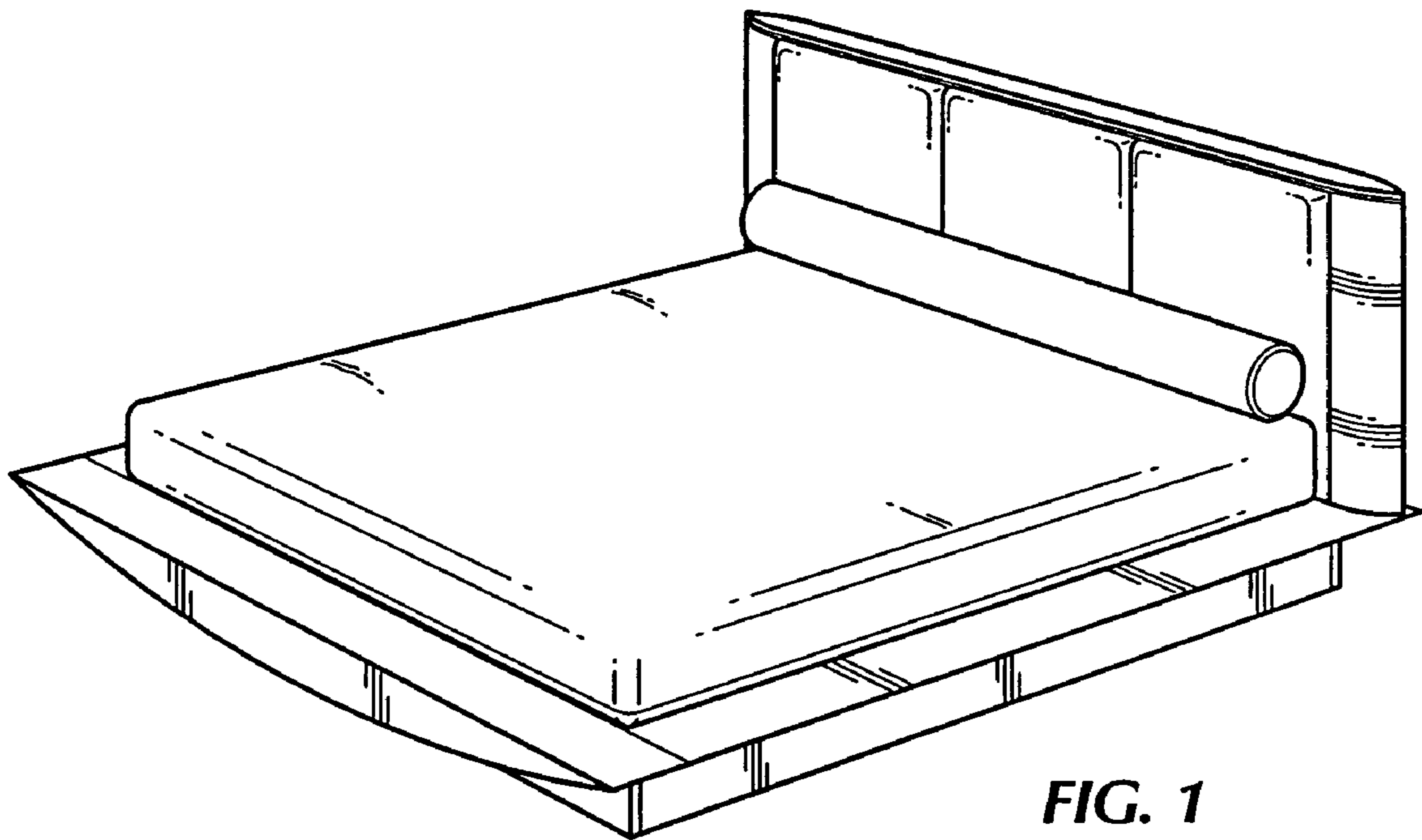


FIG. 1

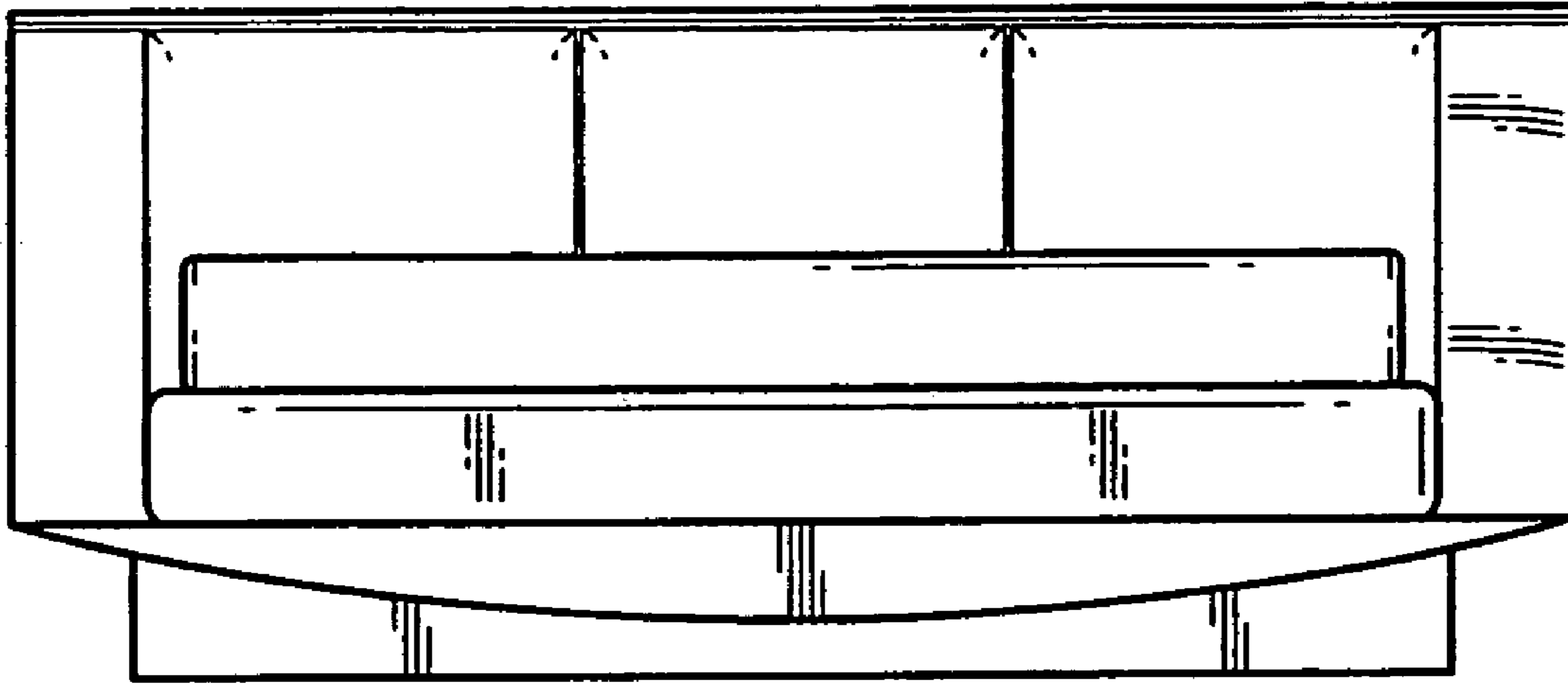


FIG. 2

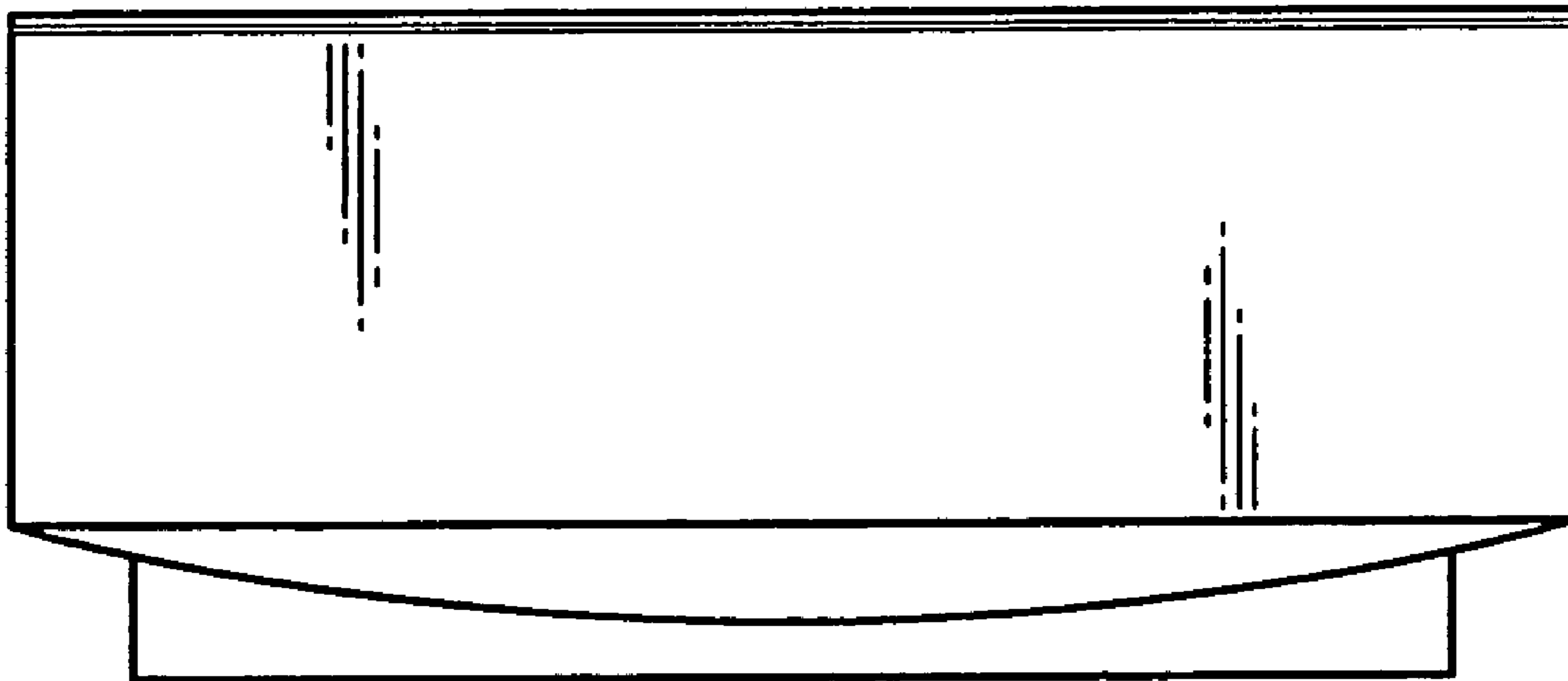


FIG. 3

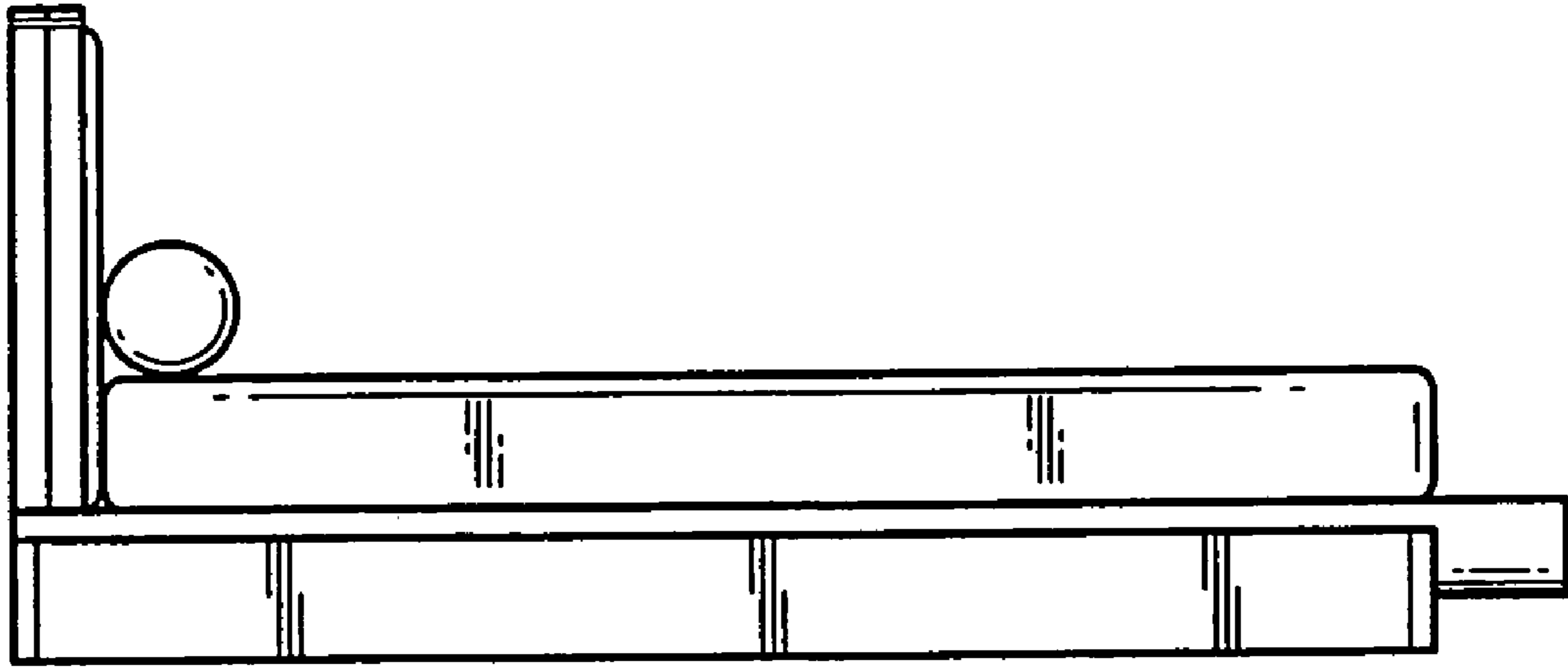


FIG. 4

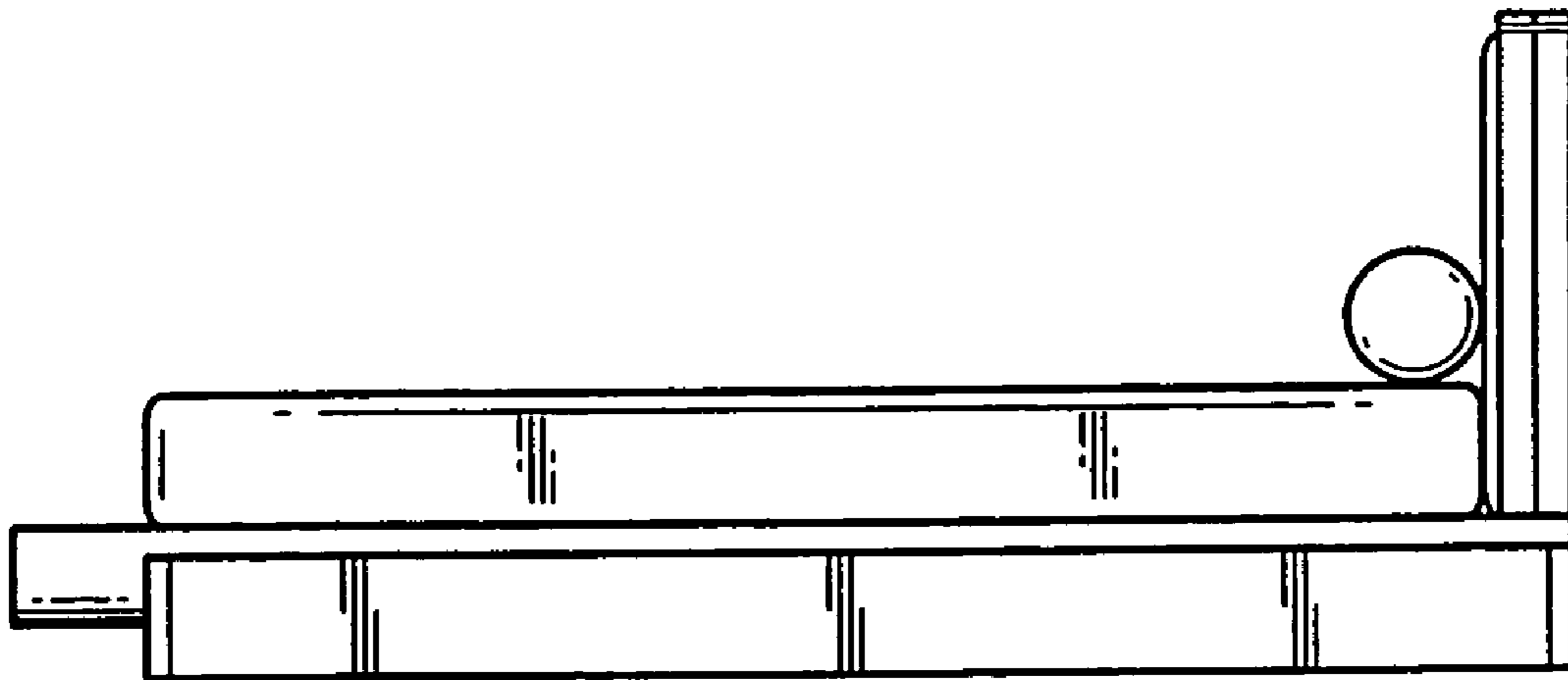


FIG. 5

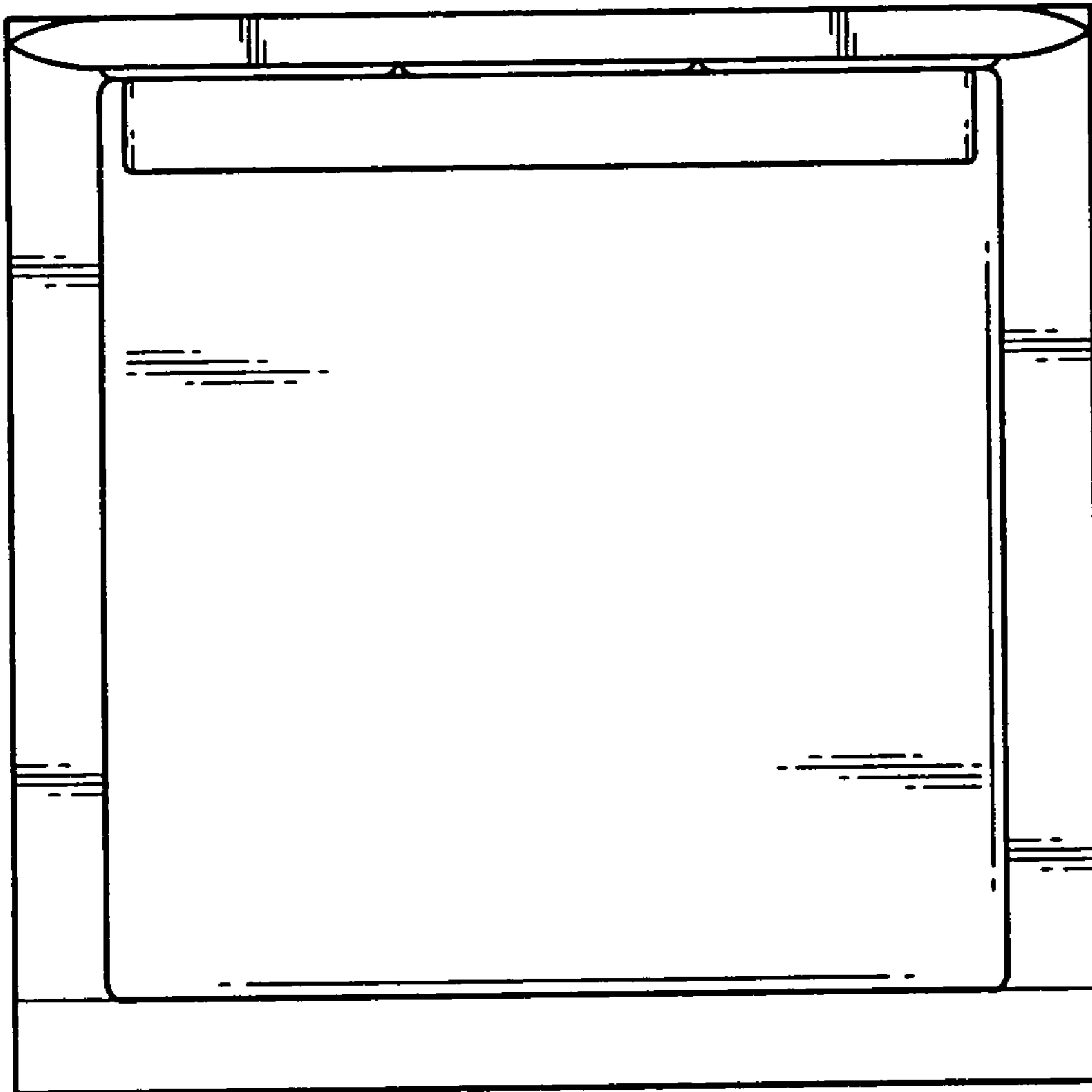


FIG. 6