

US00D554880S

(12) **United States Design Patent**
Breen

(10) **Patent No.:** **US D554,880 S**

(45) **Date of Patent:** **** Nov. 13, 2007**

(54) **CHAIR**

(75) **Inventor:** **William R. Breen**, Mississauga (CA)

(73) **Assignee:** **Nightingale Corp.**, Mississauga,
Ontario (CA)

(**) **Term:** **14 Years**

(21) **Appl. No.:** **29/274,003**

(22) **Filed:** **Mar. 16, 2007**

(51) **LOC (8) Cl.** **06-01**

(52) **U.S. Cl.** **D6/366**

(58) **Field of Classification Search** D6/334-336,
D6/364, 365, 366, 367, 369, 498, 500-502;
297/411.27, 452.13, 452.21, 452.29, 452.37,
297/452.48, 452.64

See application file for complete search history.

(56) **References Cited**

U.S. PATENT DOCUMENTS

D327,781 S	*	7/1992	Citterio	D6/366
D327,782 S	*	7/1992	Citterio	D6/366
D379,408 S	*	5/1997	Feldberg	D6/366
D535,831 S	*	1/2007	Huang	D6/366
D541,061 S	*	4/2007	Benden et al.	D6/366
D542,548 S	*	5/2007	Yang	D6/366
D543,038 S	*	5/2007	Benden et al.	D6/366

OTHER PUBLICATIONS

Nightingale Corporation, "Confessions of Comfort", brochure, 2005, pp. 1, 4, 5 and back page.

* cited by examiner

Primary Examiner—Mimosa De

(57) **CLAIM**

I claim the ornamental design for a chair, as shown.

DESCRIPTION

FIG. 1 is a perspective view of a first embodiment showing my new design;

FIG. 2 is a front elevational view thereof;

FIG. 3 is a right-side elevational view thereof;

FIG. 4 is a rear elevational view thereof;

FIG. 5 is a top view thereof;

FIG. 6 is an elevational view of a second embodiment of my design show in in FIG. 1

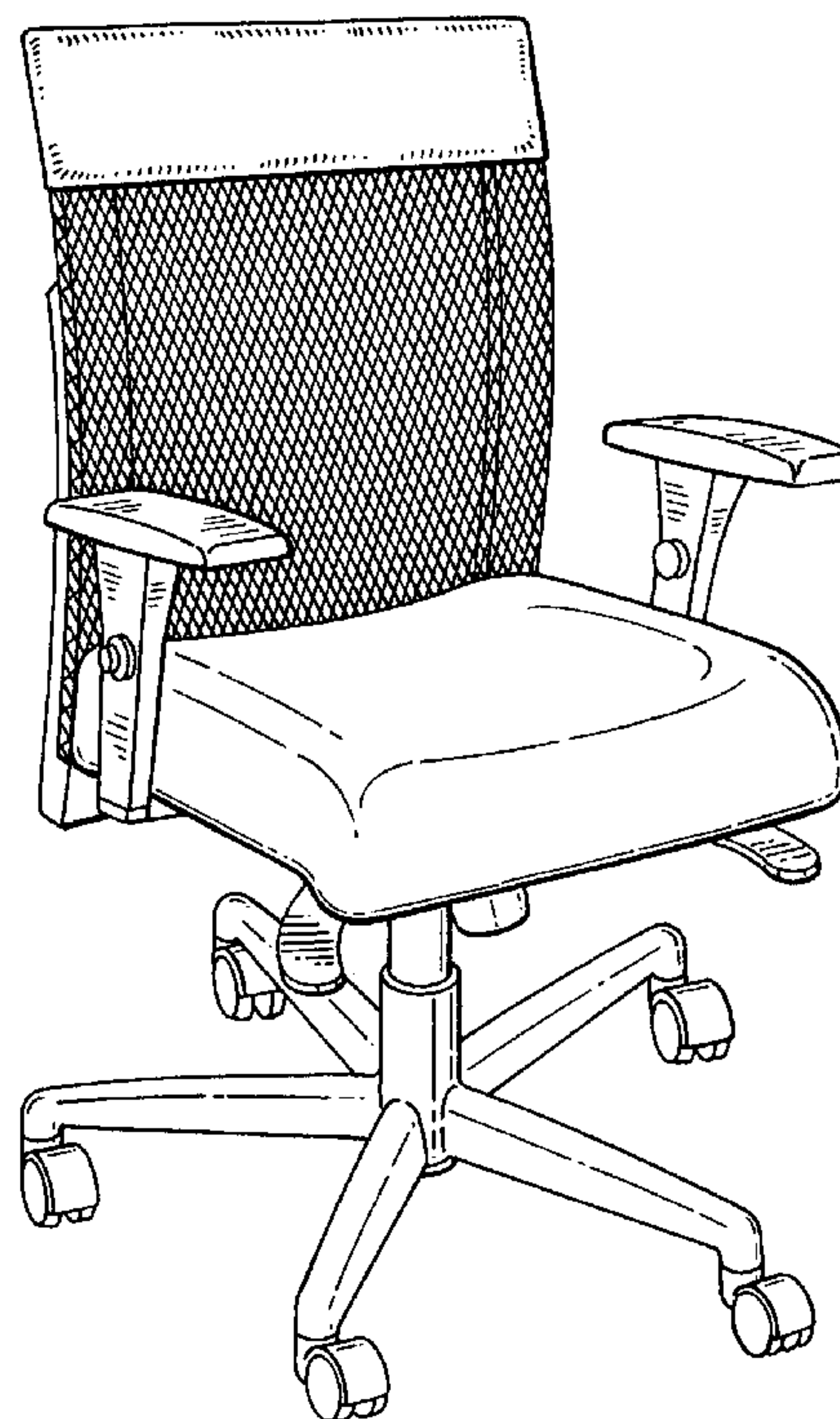
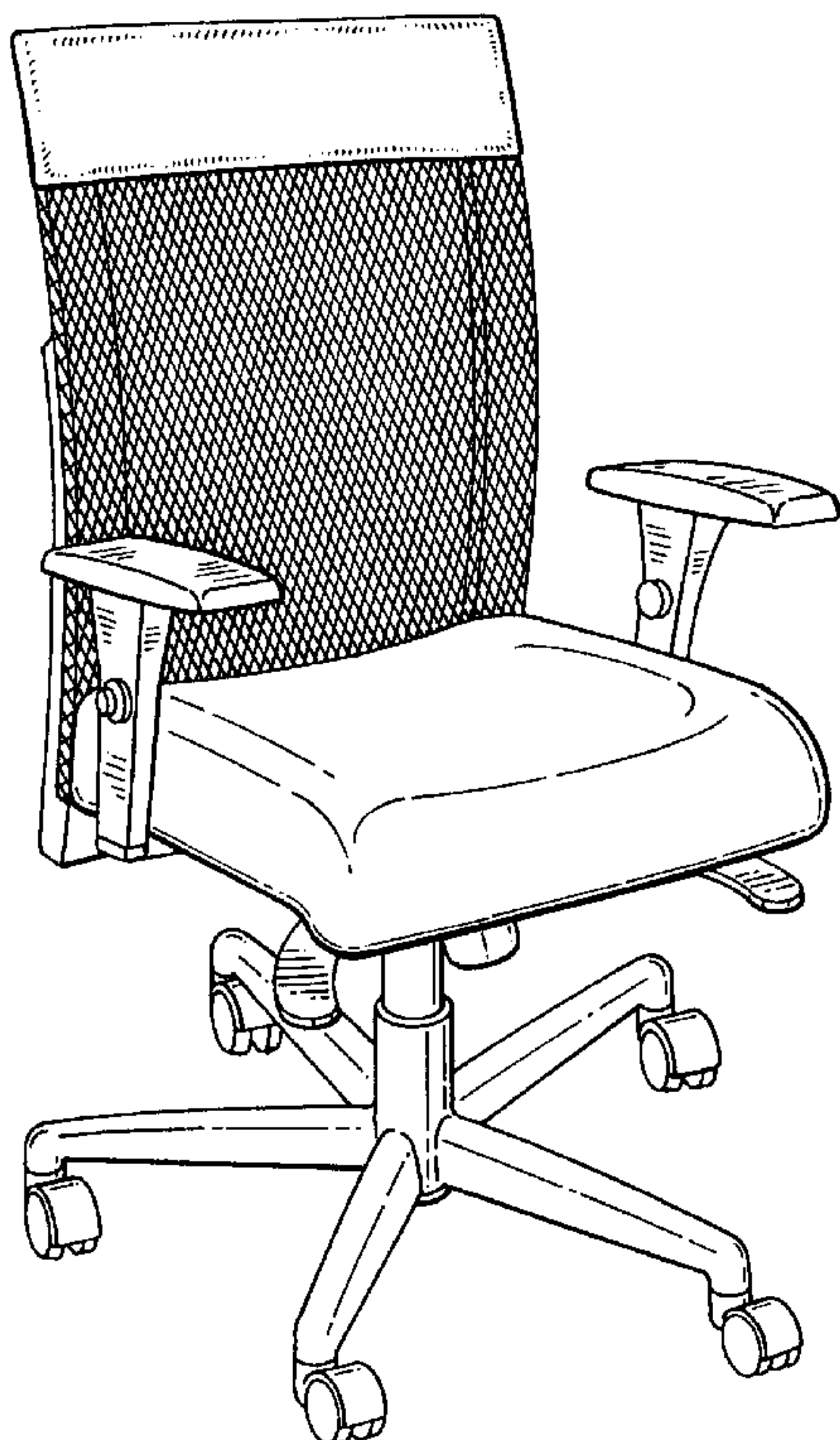
FIG. 7 is a front elevational view of the design shown in FIG. 6;

FIG. 8 is a right-side elevational view of the design shown in FIG. 6;

FIG. 9 is a rear elevational view of the design shown in FIG. 6; and,

FIG. 10 is a top view of the design shown in FIG. 6.

1 Claim, 6 Drawing Sheets



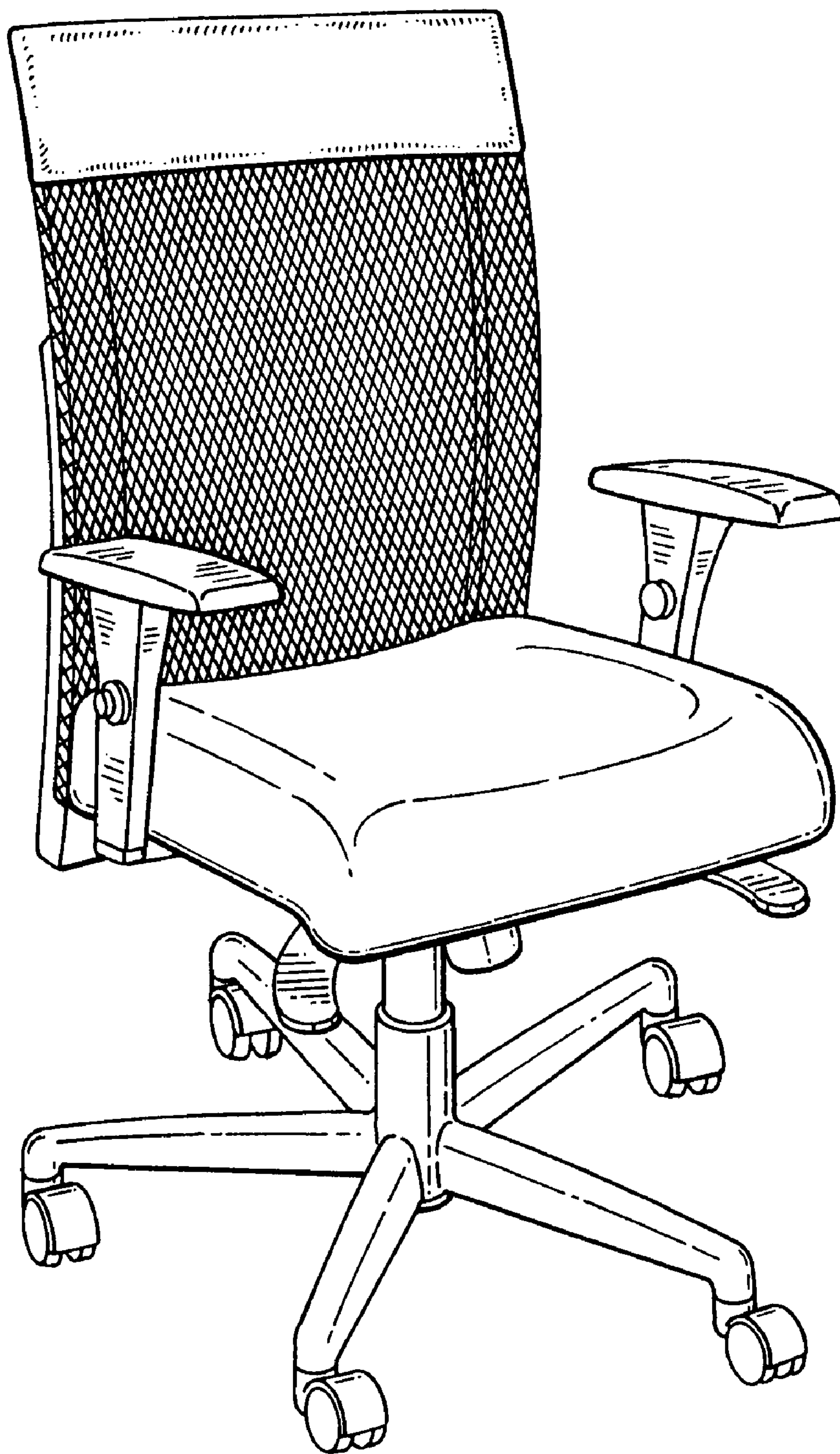


FIG.1.

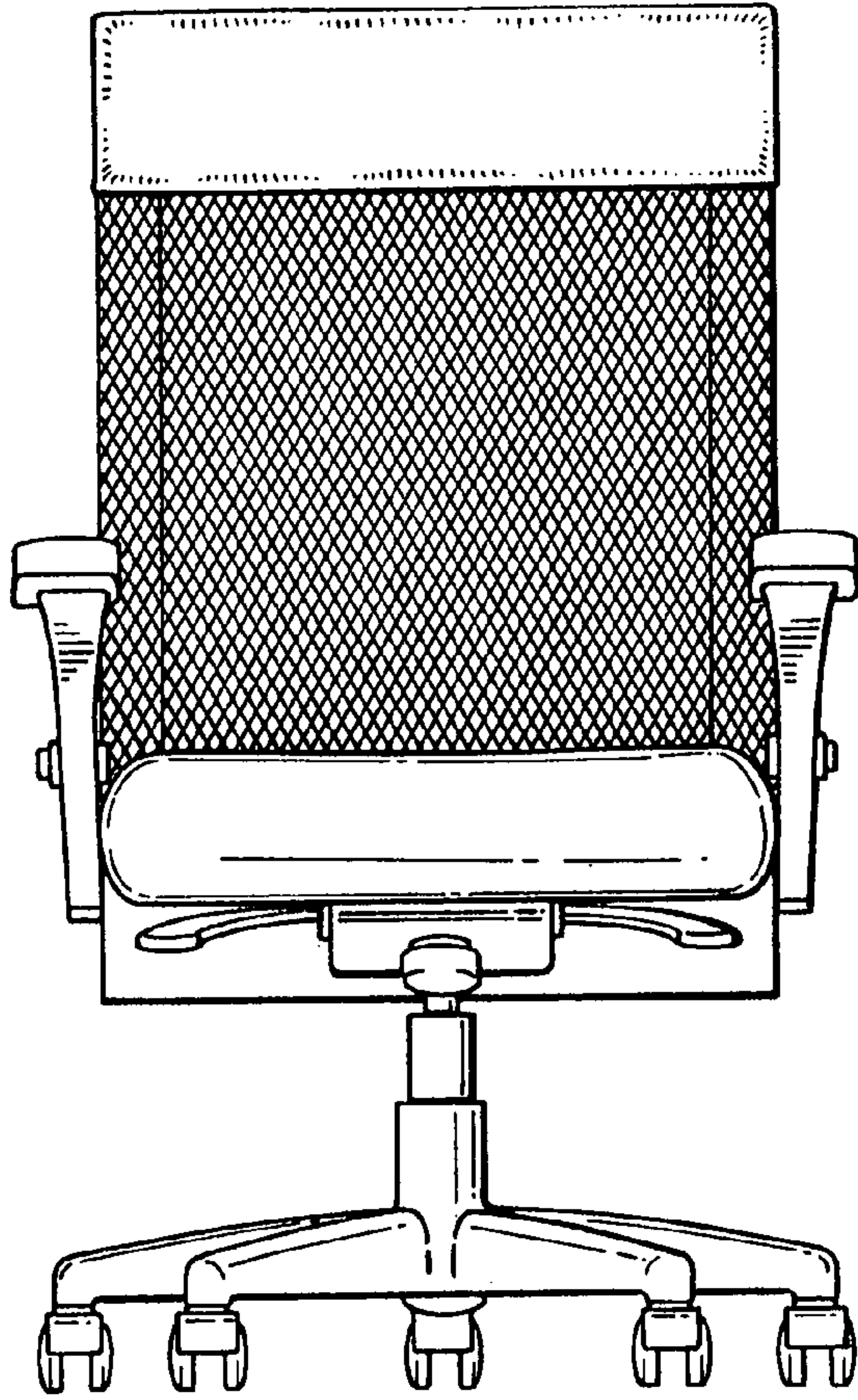


FIG. 2.

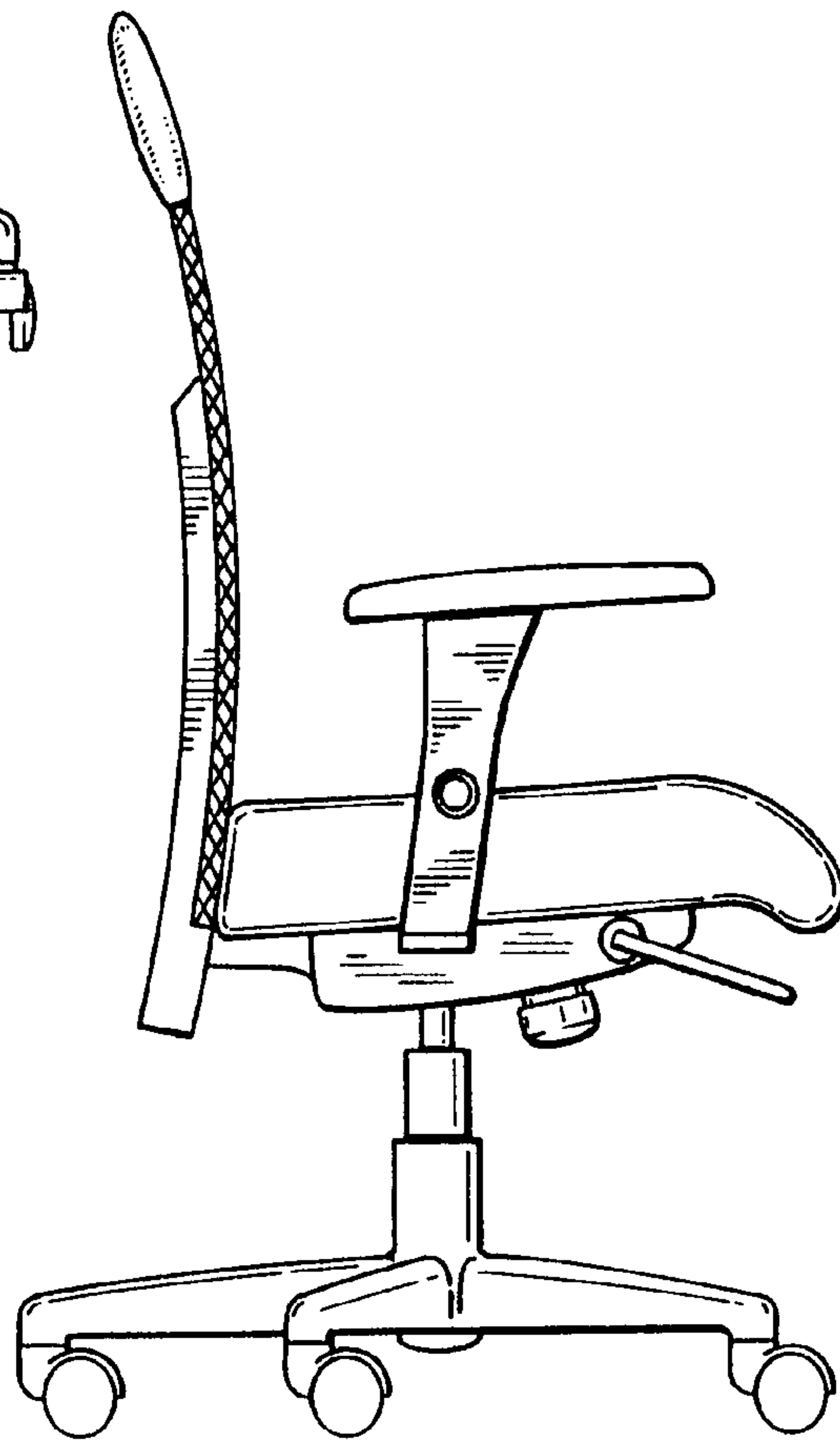


FIG. 3.

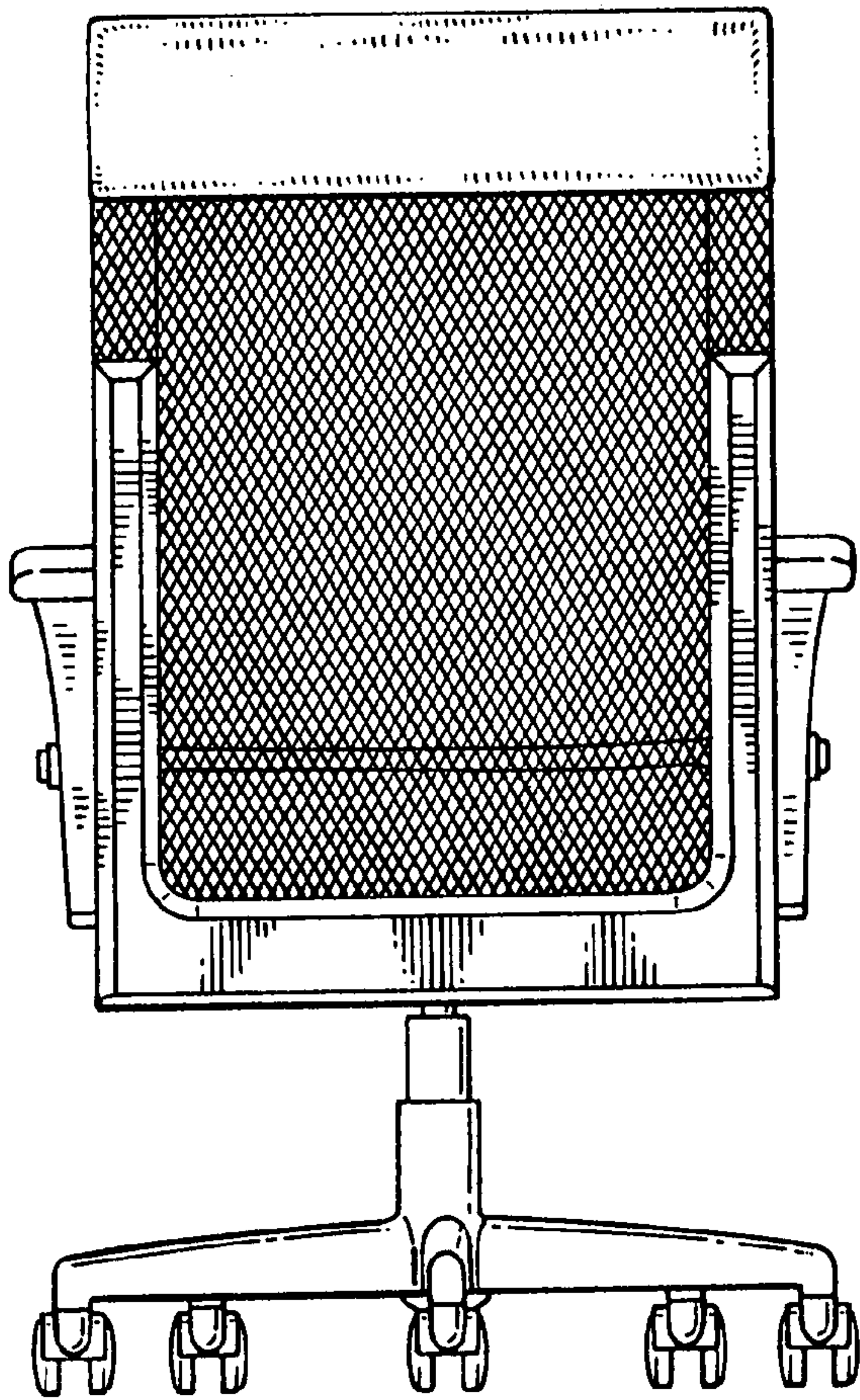


FIG. 4.

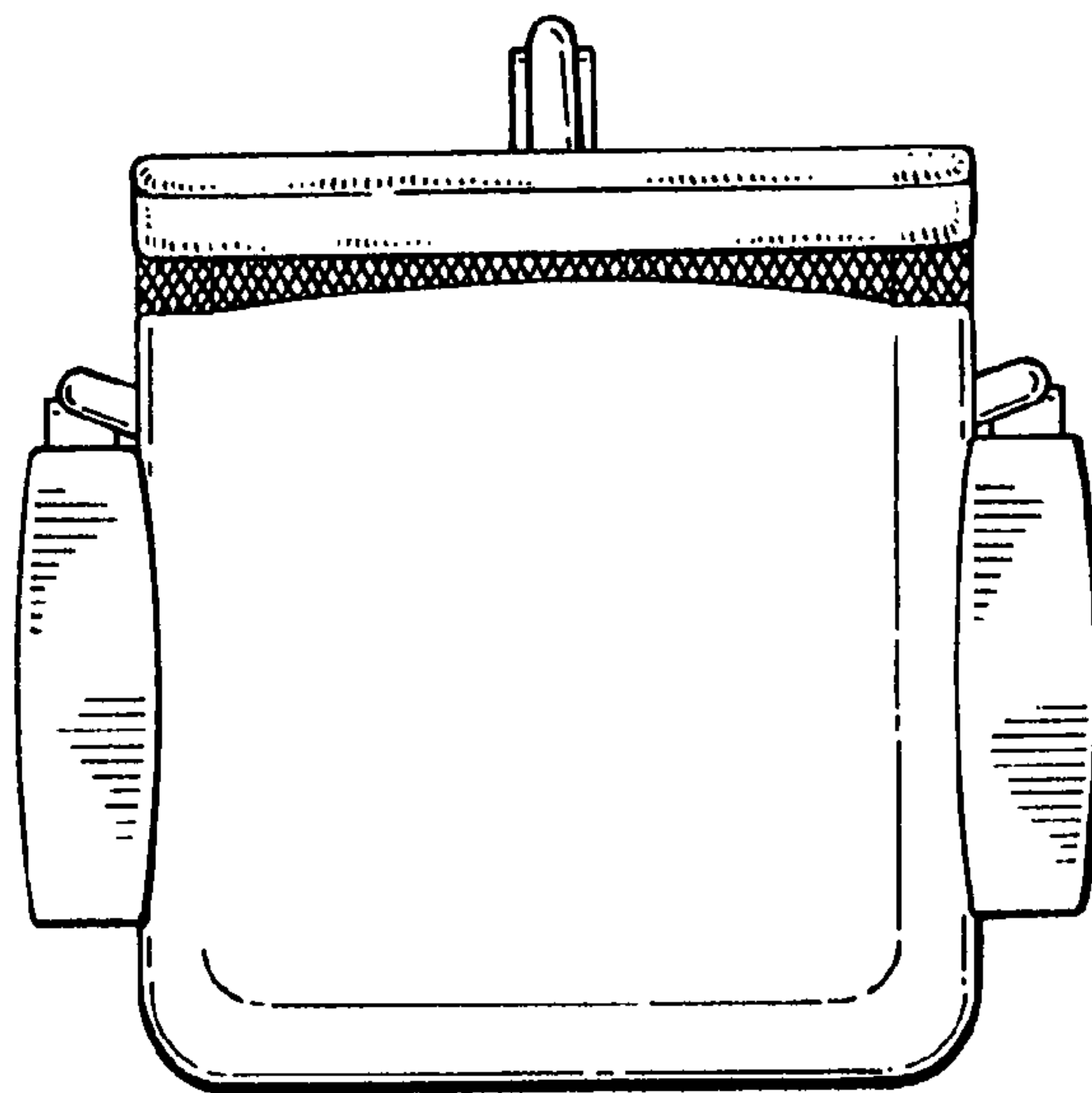


FIG. 5.

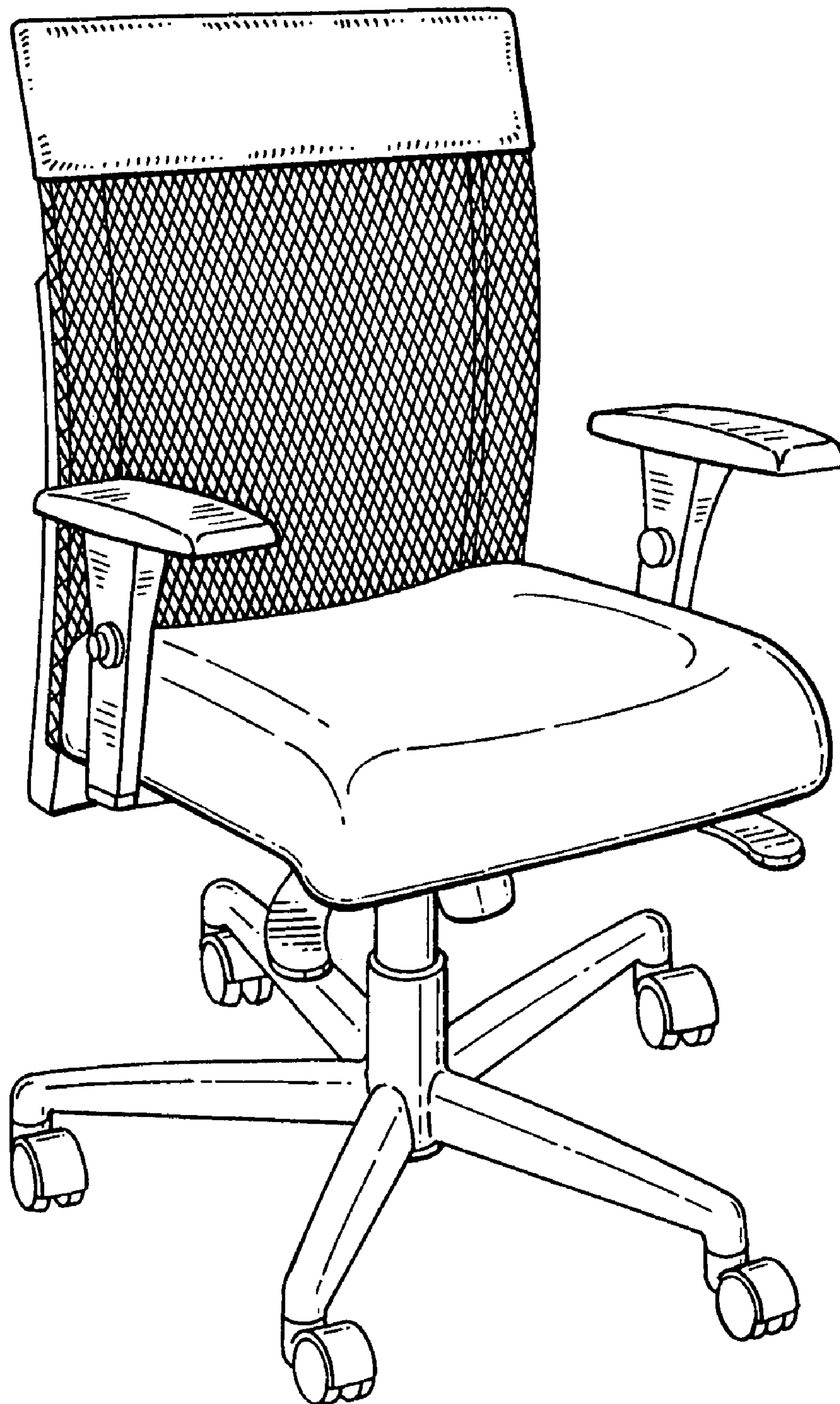


FIG.6

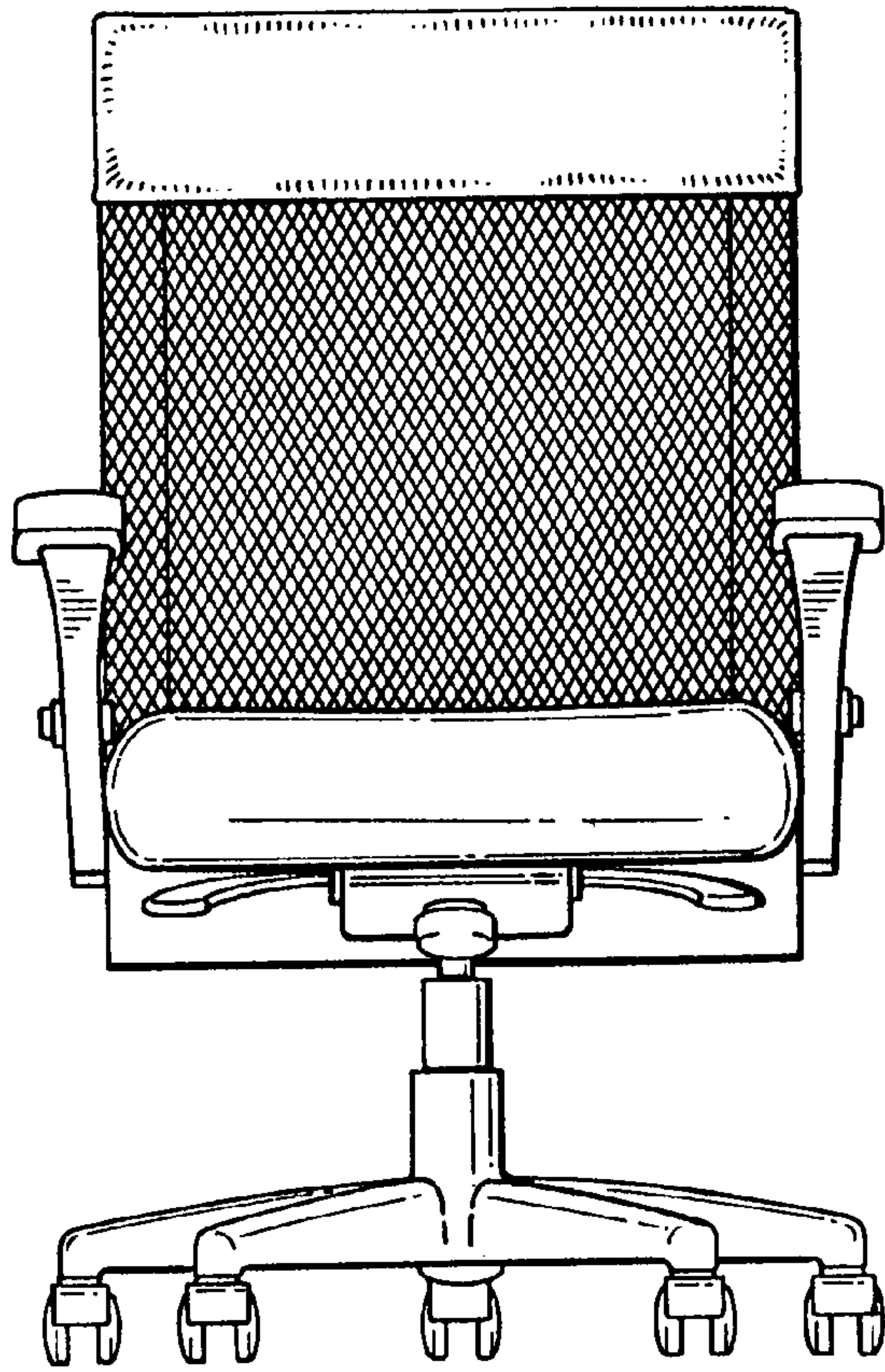


FIG. 7

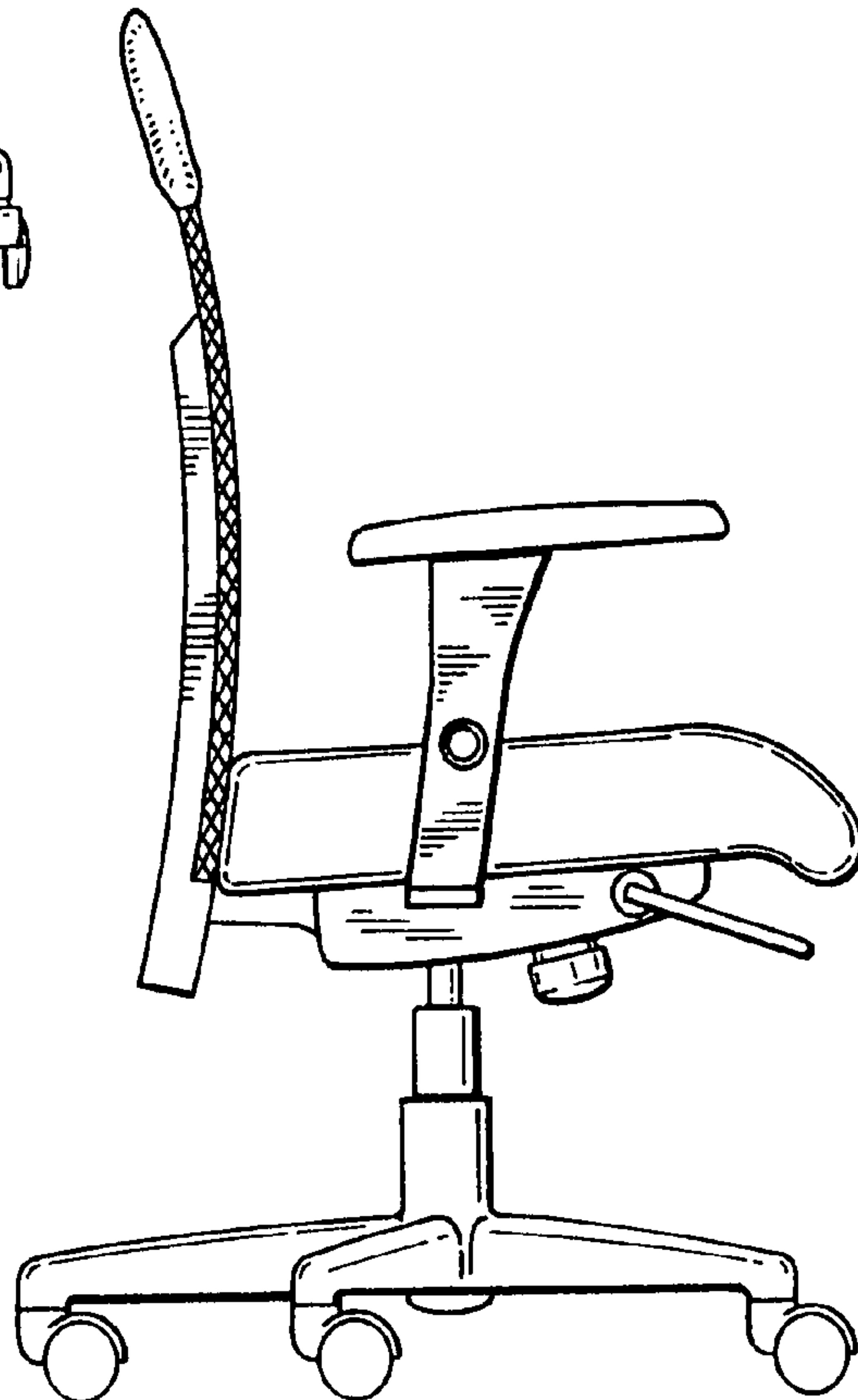


FIG. 8

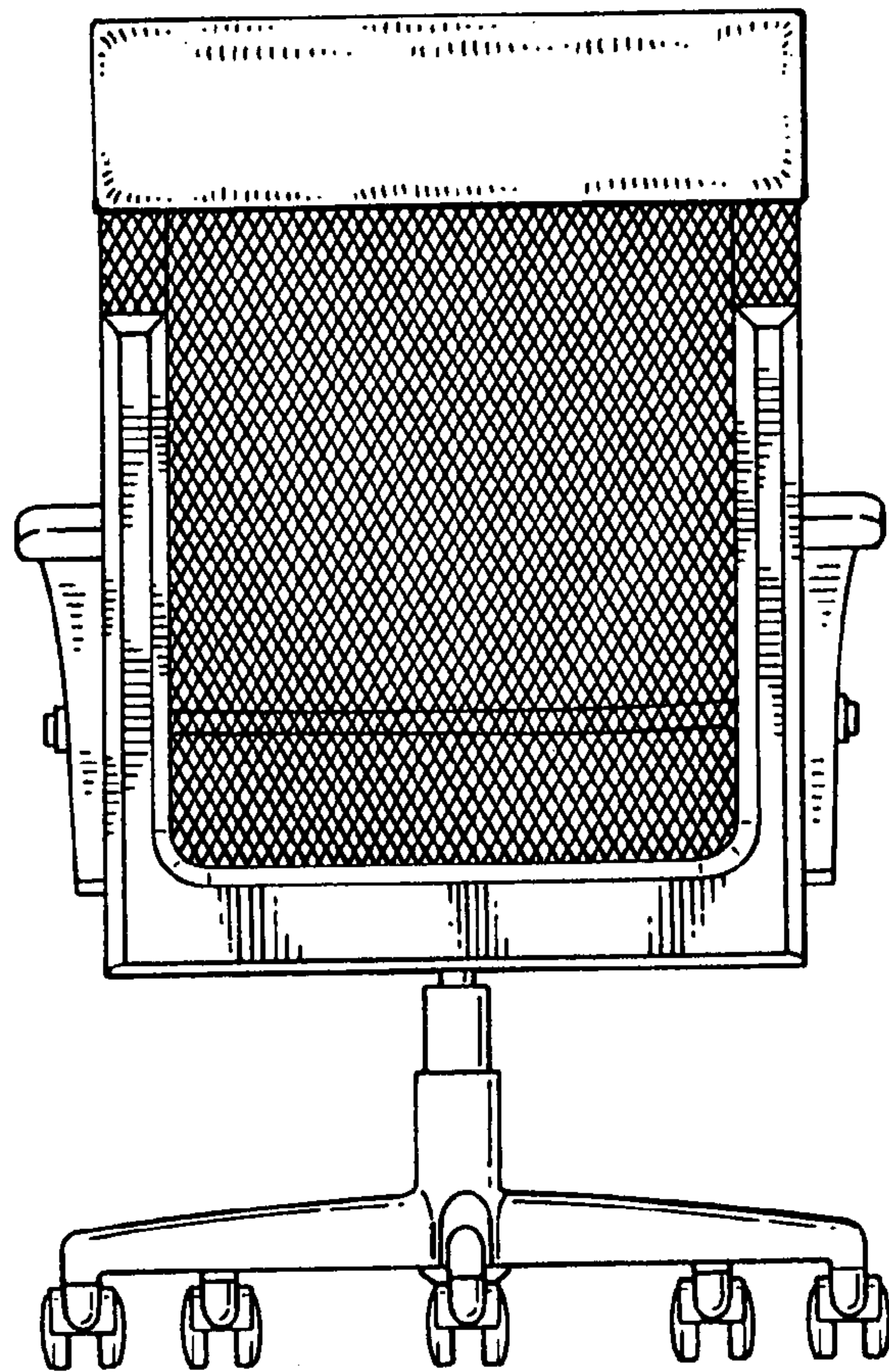


FIG. 9

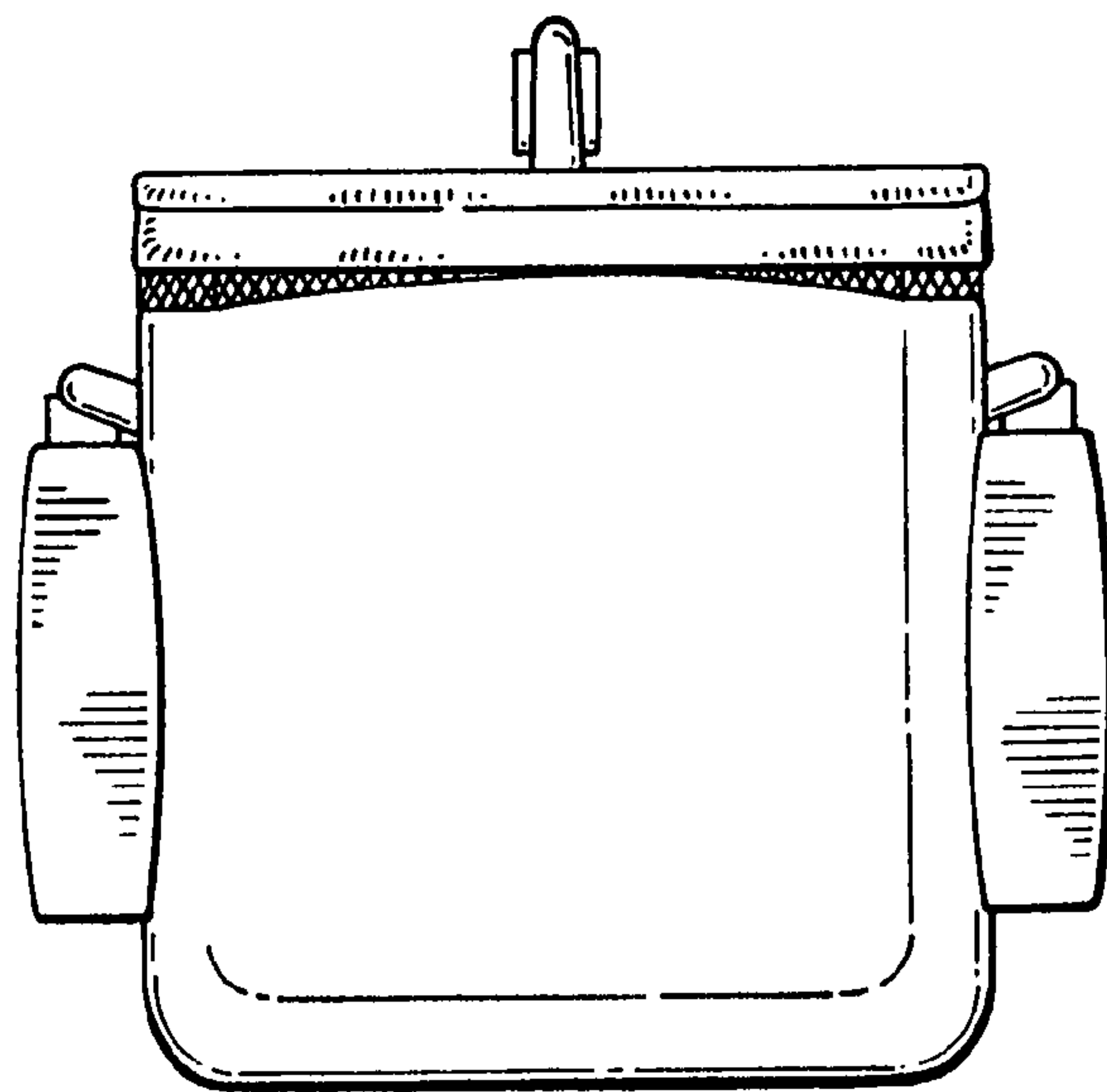


FIG. 10