



US00D554879S

(12) **United States Design Patent**
Wagner

(10) **Patent No.:** **US D554,879 S**

(45) **Date of Patent:** **** Nov. 13, 2007**

(54) **SWIVEL CHAIR**

(75) Inventor: **Peter Wagner**, Langenneufnach (DE)

(73) Assignee: **Topstar GmbH** (DE)

(**) Term: **14 Years**

(21) Appl. No.: **29/259,226**

(22) Filed: **May 4, 2006**

(30) **Foreign Application Priority Data**

Dec. 12, 2005 (EP) 449814-0001

(51) **LOC (8) Cl.** **06-01**

(52) **U.S. Cl.** **D6/366**

(58) **Field of Classification Search** D6/364-367,
D6/334-335, 372, 498, 500-502; 297/411.2,
297/411.27, 411.36, 452.29, 452.3, 452.64
See application file for complete search history.

(56) **References Cited**

U.S. PATENT DOCUMENTS

D449,174 S * 10/2001 Neil D6/366
D456,626 S * 5/2002 Su D6/366
D471,370 S * 3/2003 Schmitz et al. D6/366
D474,346 S * 5/2003 Saylor et al. D6/366
D490,994 S * 6/2004 Schmitz et al. D6/366

D495,509 S * 9/2004 Breen D6/366
D510,488 S * 10/2005 Su D6/366
D514,831 S * 2/2006 Tsai D6/366
D514,832 S * 2/2006 Tsai D6/366
D516,828 S * 3/2006 Tsai D6/366
D528,811 S * 9/2006 Giugiaro D6/366
D534,365 S * 1/2007 Breen D6/366

* cited by examiner

Primary Examiner—Mimosa De

Assistant Examiner—Abraham Bahta

(74) *Attorney, Agent, or Firm*—Cantor Colburn LLP

(57) **CLAIM**

The ornamental design for a swivel chair, as shown and described.

DESCRIPTION

FIG. 1 is a front view showing my new swivel chair;
FIG. 2 is a side view thereof taken from the left of FIG. 1;
FIG. 3 is a side view thereof taken from the right of FIG. 1;
FIG. 4 is a rear view thereof;
FIG. 5 is a top view thereof; and,
FIG. 6 is a bottom view thereof.

1 Claim, 6 Drawing Sheets

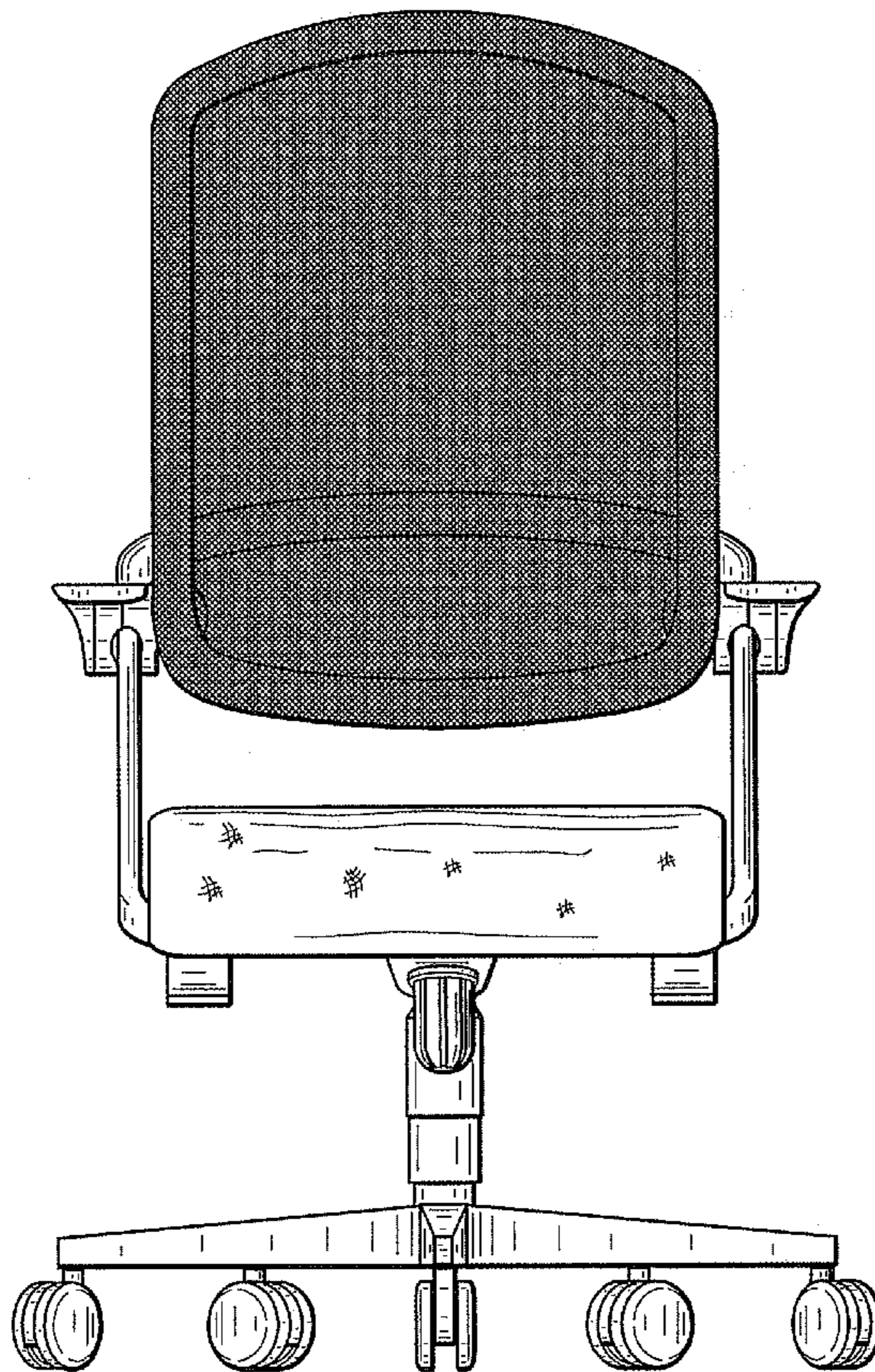


FIG. 1

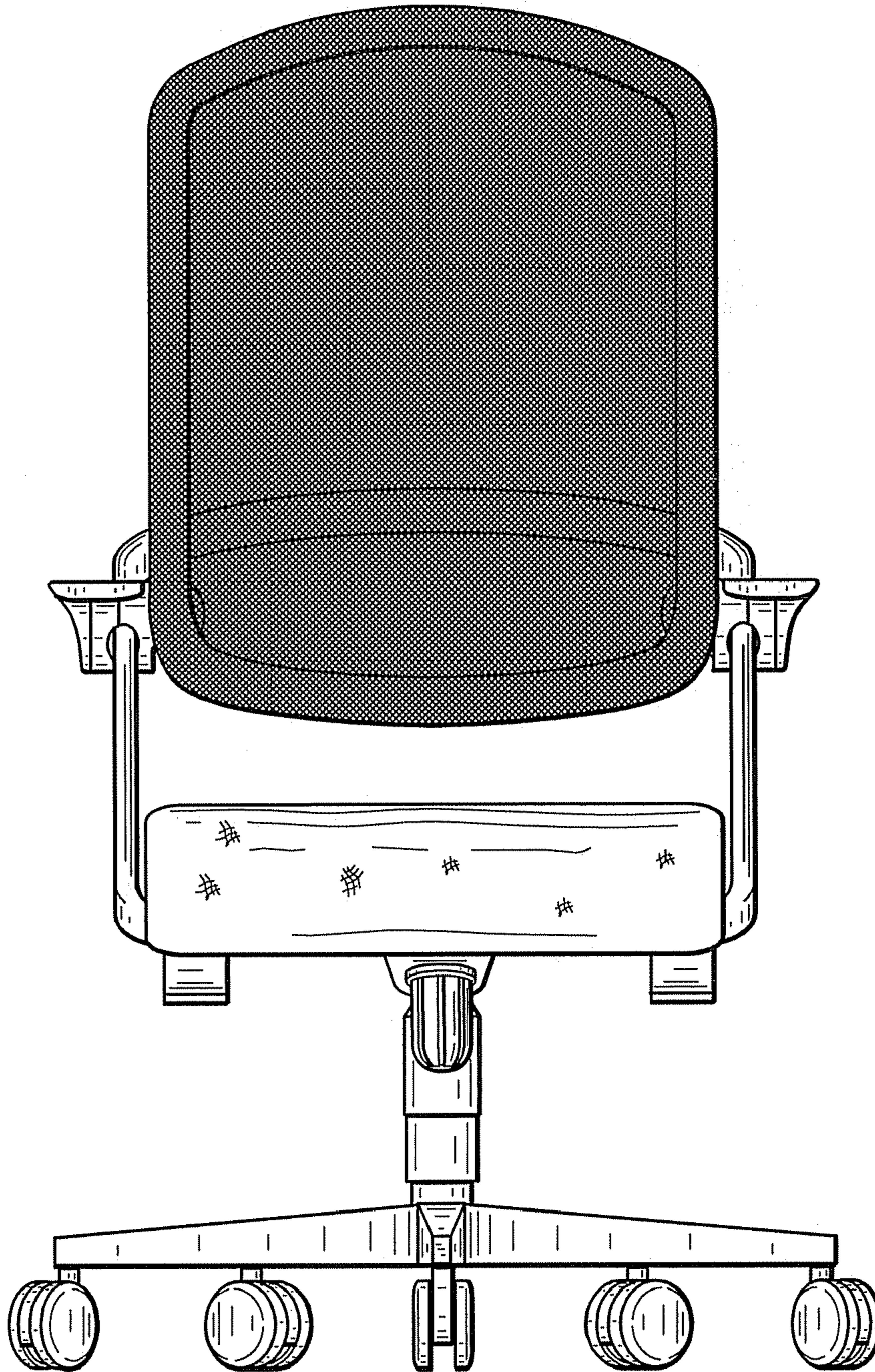


FIG. 2

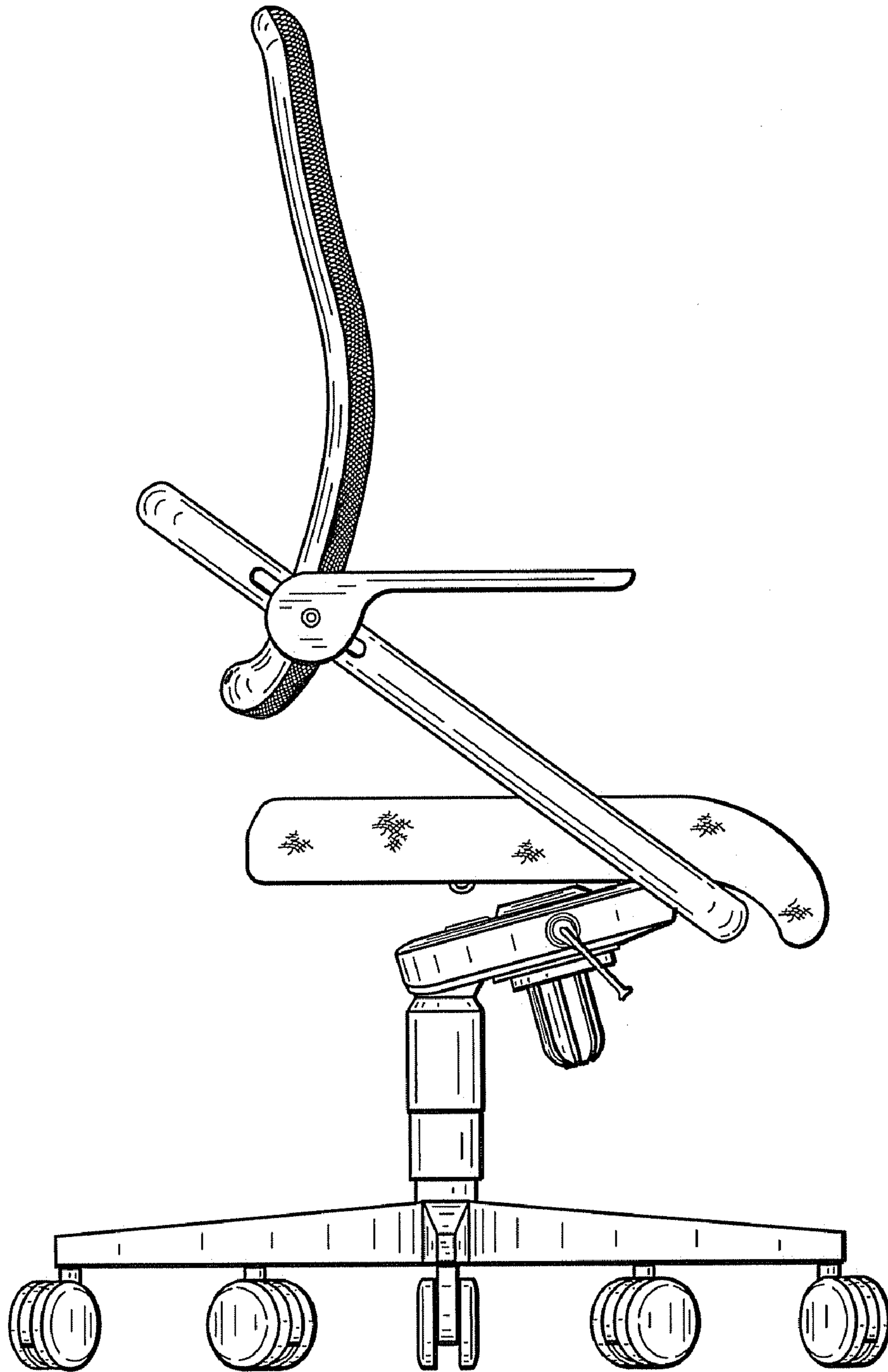


FIG. 3

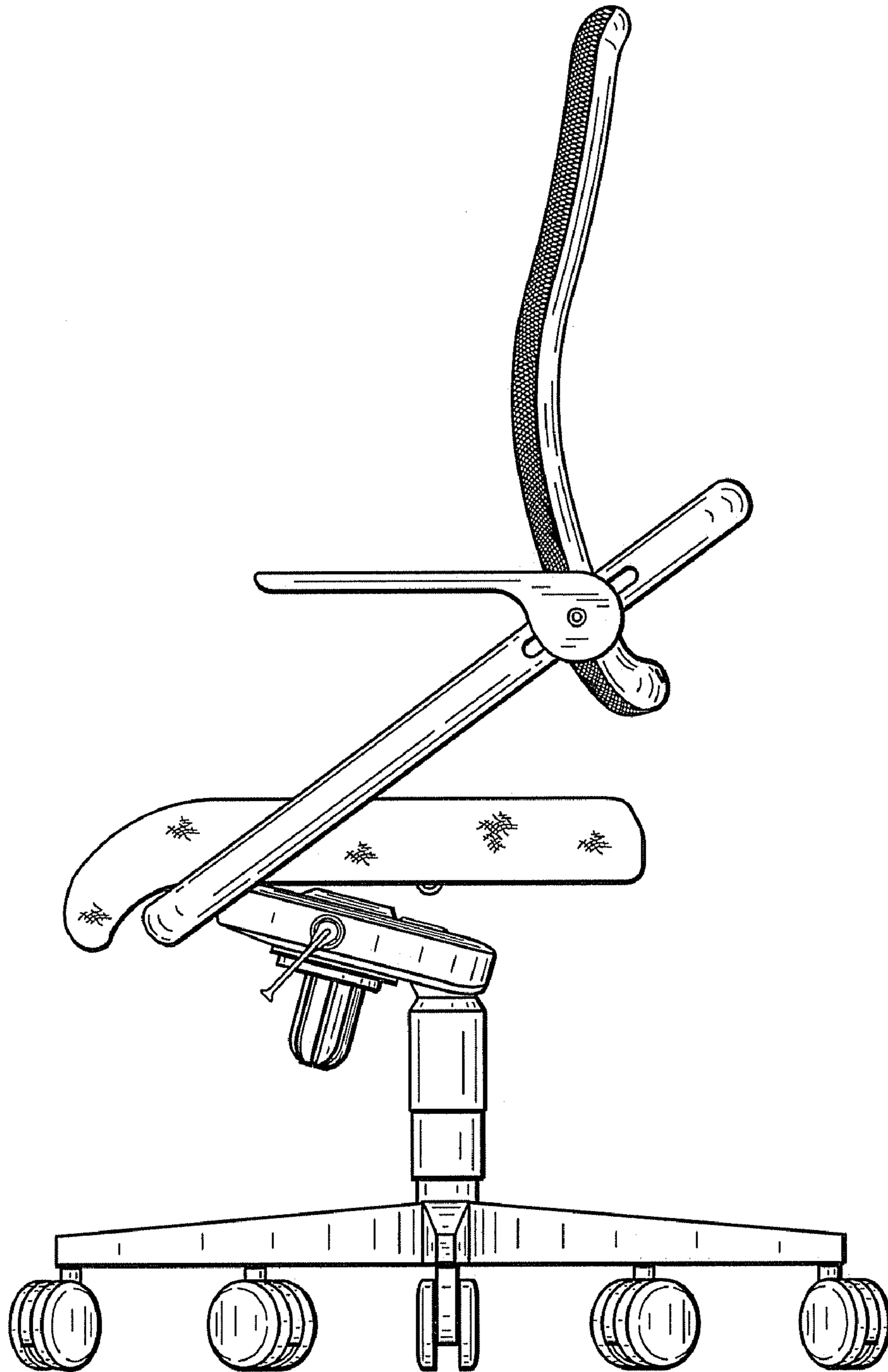


FIG. 4

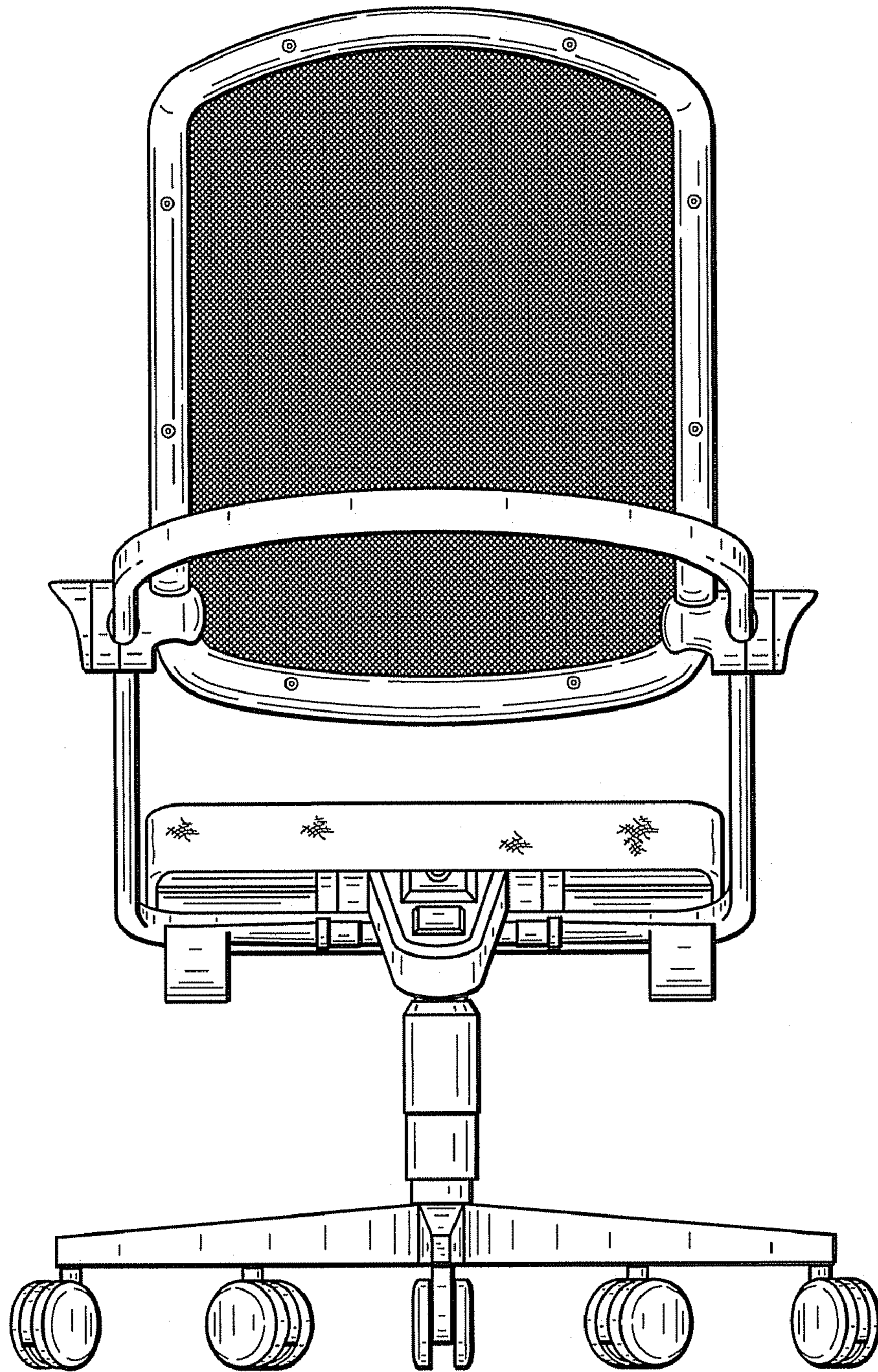


FIG. 5

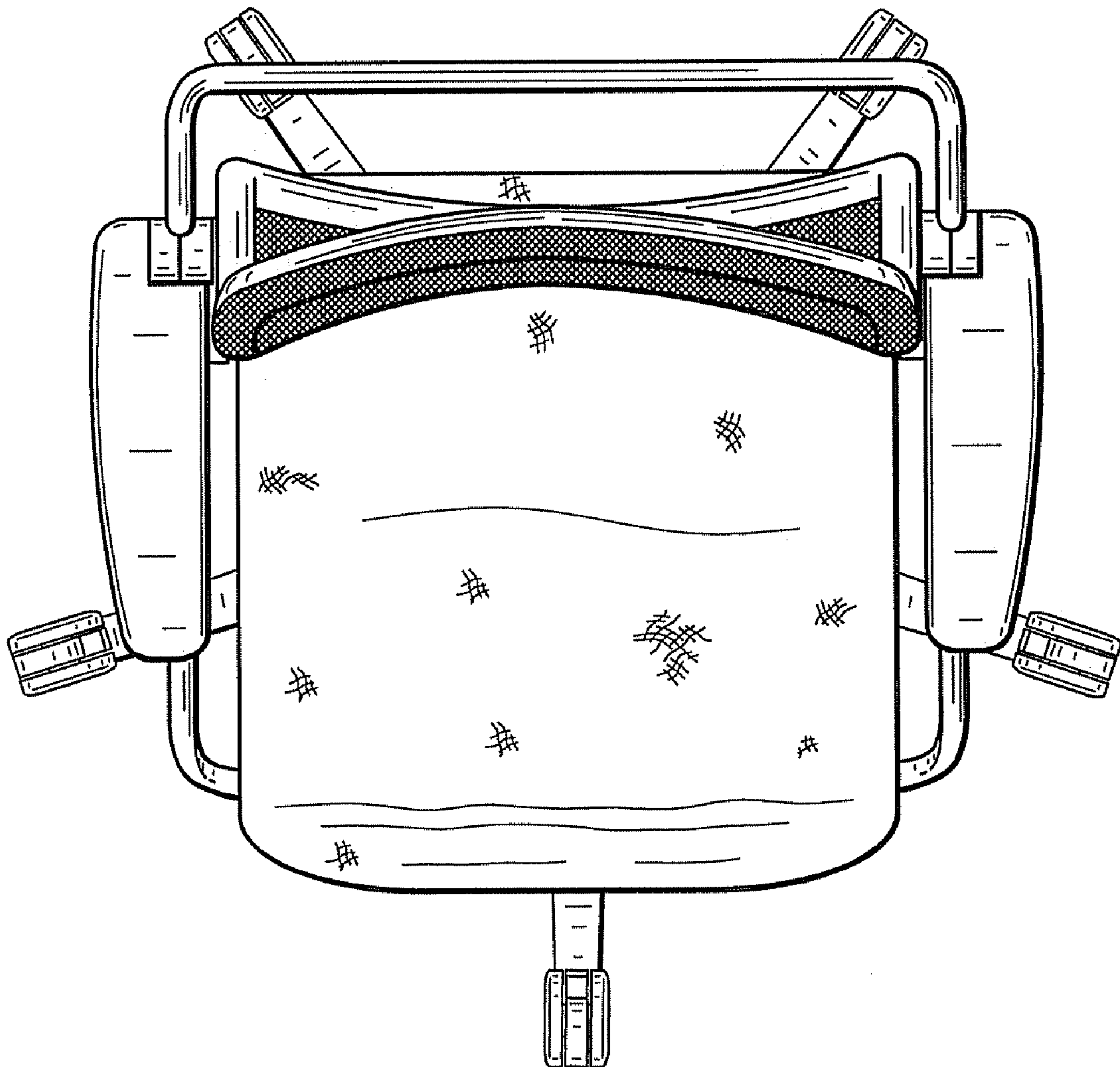


FIG. 6

