



US00D554876S

(12) **United States Design Patent**
Hanson et al.

(10) **Patent No.:** **US D554,876 S**

(45) **Date of Patent:** **** Nov. 13, 2007**

(54) **SEAT ASSEMBLY**

(75) Inventors: **Eric J. Hanson**, Peoria, IL (US);
Steven R. Pulskamp, New Bremen,
OH (US); **Brad A. Halbert**, St. Marys,
OH (US); **Eric J. Kaiser**, Ft. Recovery,
OH (US); **David T. Rench**, Celina, OH
(US); **Ted R. Wagner**, New Bremen,
OH (US); **George R. Wetterer**, Troy,
OH (US)

(73) Assignee: **Crown Equipment Corporation**, New
Bremen, OH (US)

(**) Term: **14 Years**

(21) Appl. No.: **29/250,145**

(22) Filed: **Nov. 3, 2006**

(51) **LOC (8) Cl.** **06-01**

(52) **U.S. Cl.** **D6/356; D6/364**

(58) **Field of Classification Search** D6/334-336,
D6/356, 365, 366, 367, 374, 375, 500-502,
D6/379, 601; 297/452.11, 452.24, 452.25,
297/452.26, 452.29, 452.31, 452.35

See application file for complete search history.

(56) **References Cited**

U.S. PATENT DOCUMENTS

D257,748 S * 1/1981 Smith D6/356
5,048,894 A * 9/1991 Miyajima et al. 297/452.11

D349,475 S * 8/1994 Mocer D6/601
D362,126 S * 9/1995 Carter D6/356
D371,008 S * 6/1996 Stulik D6/356
D376,924 S * 12/1996 Beaulieu D6/366
D378,714 S * 4/1997 Beaulieu D6/366
D417,794 S * 12/1999 Schmidt-Bandelow D6/375
D428,719 S * 8/2000 Fick et al. D6/356
D504,784 S * 5/2005 Hahn et al. D6/356
D534,731 S * 1/2007 Fretschner et al. D6/356

* cited by examiner

Primary Examiner—Mimosa De

(74) *Attorney, Agent, or Firm*—Stevens & Showalter LLP

(57) **CLAIM**

The ornamental design for a seat assembly, as shown and described.

DESCRIPTION

FIG. 1 is a perspective view of a seat assembly as seen from the top, front and left sides;

FIG. 2 is a front elevational view thereof;

FIG. 3 is a rear elevational view thereof;

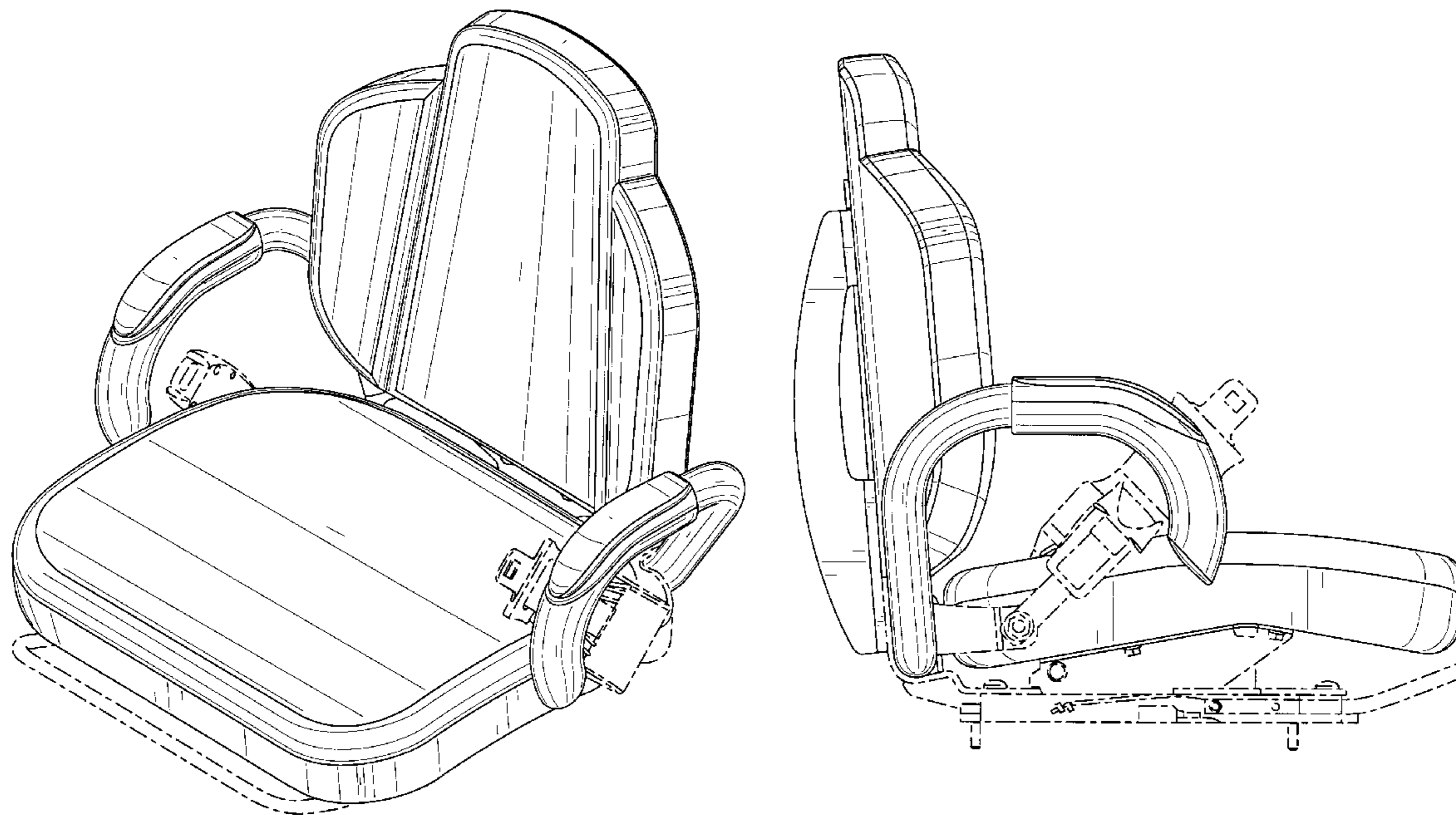
FIG. 4 is a left side elevational view thereof;

FIG. 5 is a right side elevational view thereof; and,

FIG. 6 is a top plan view thereof.

The broken line showings in the figures are for illustrative purposes only and form no part of the claimed design.

1 Claim, 6 Drawing Sheets



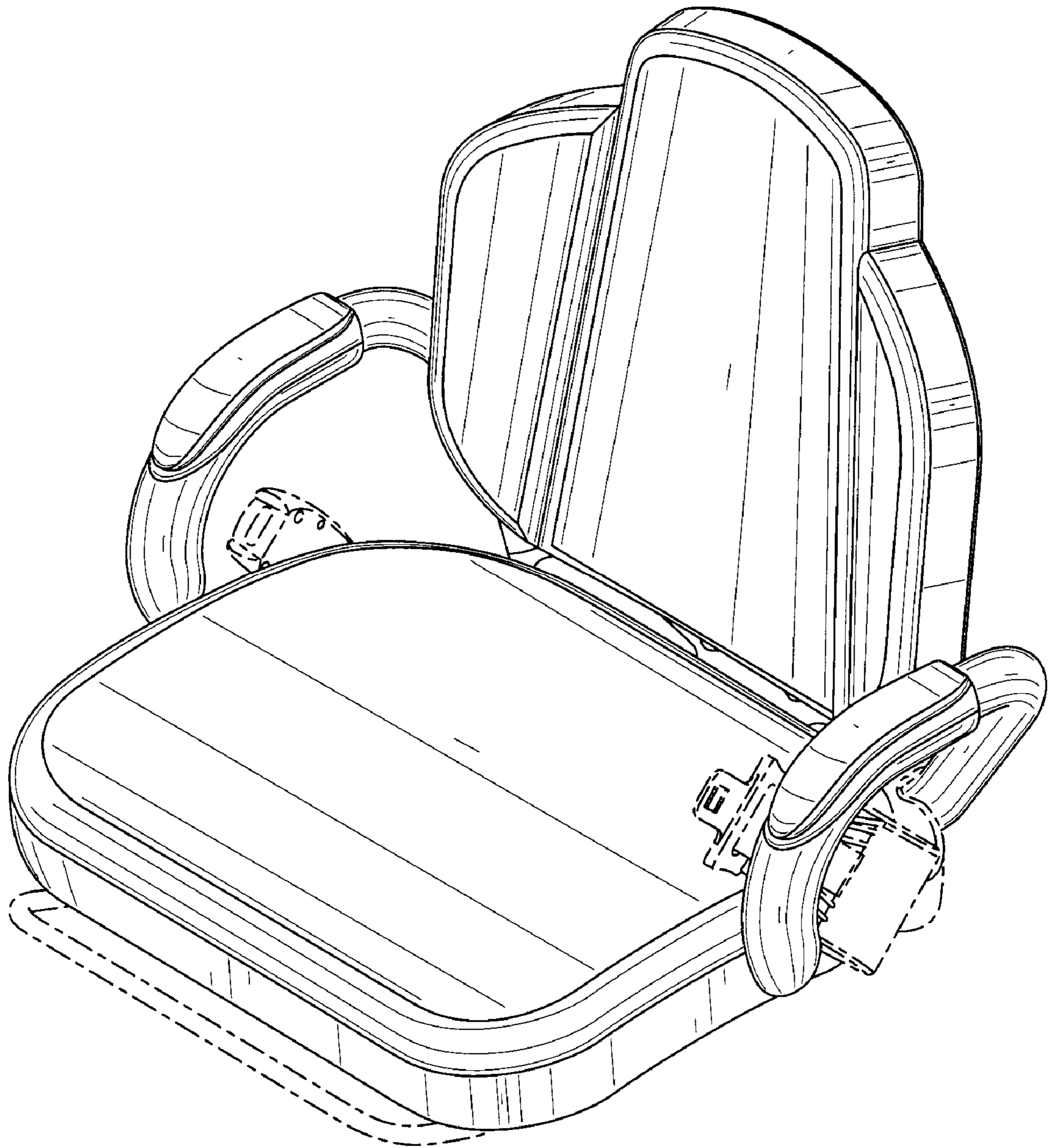


FIG. 1

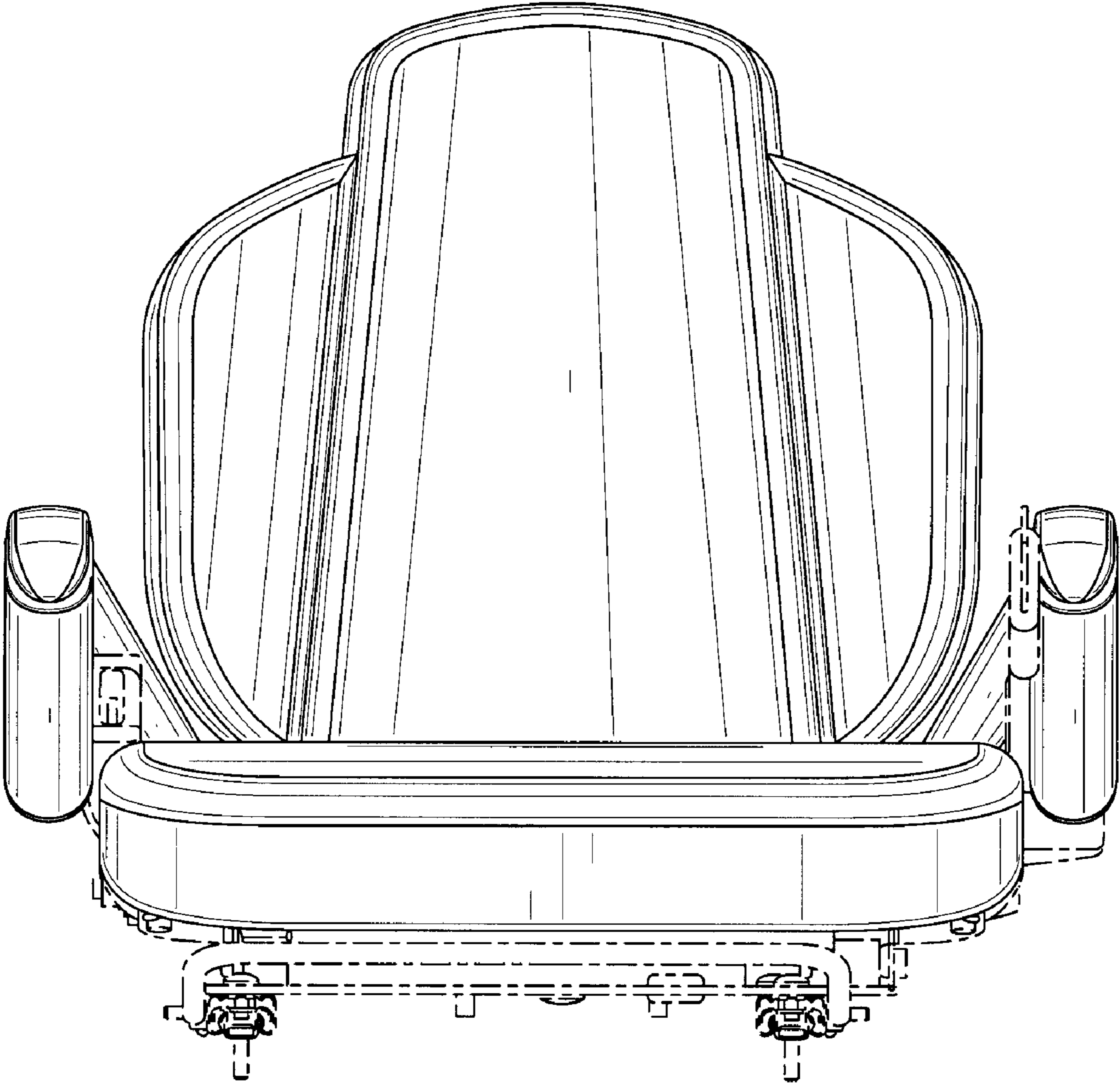


FIG. 2

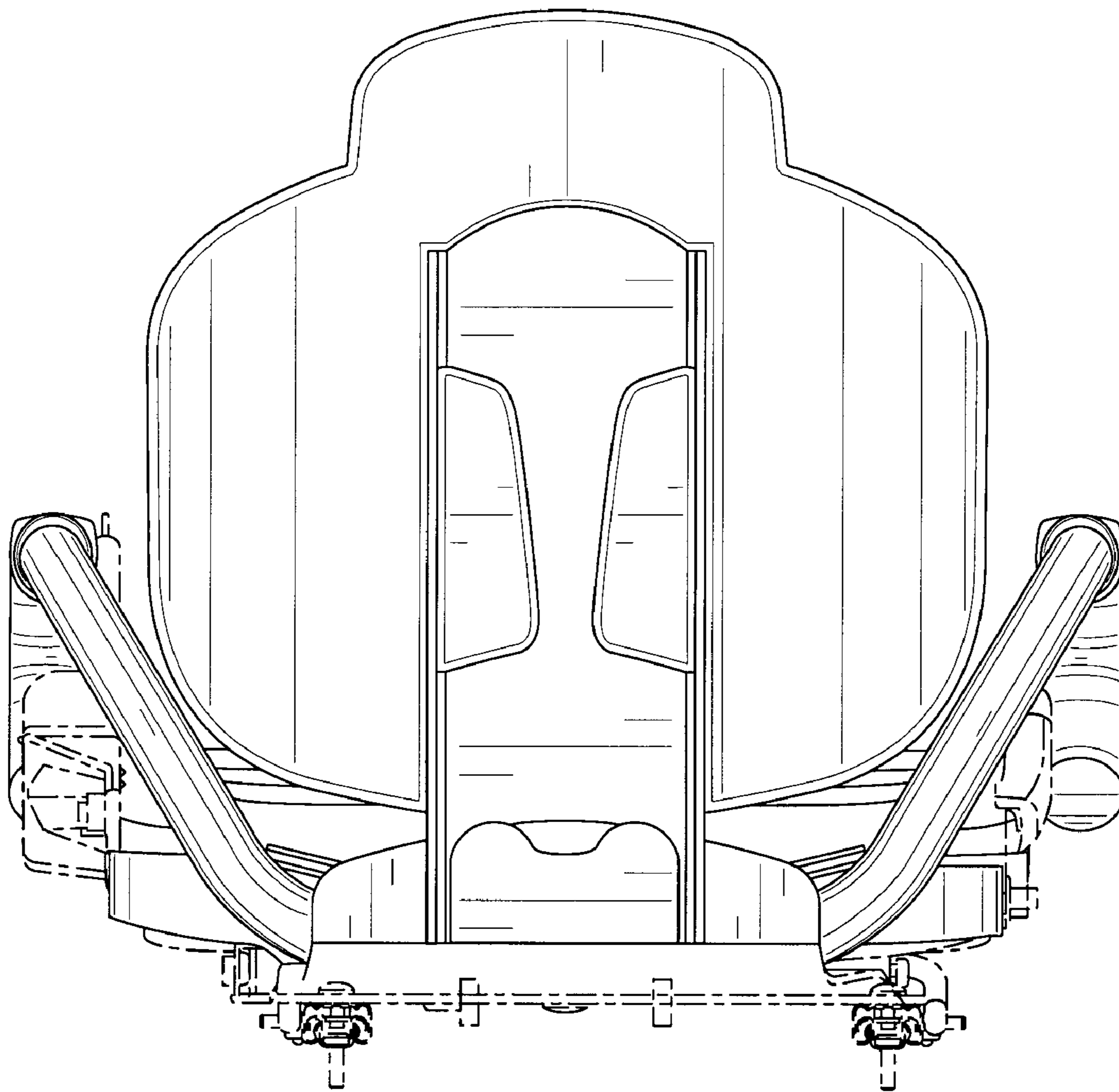


FIG. 3

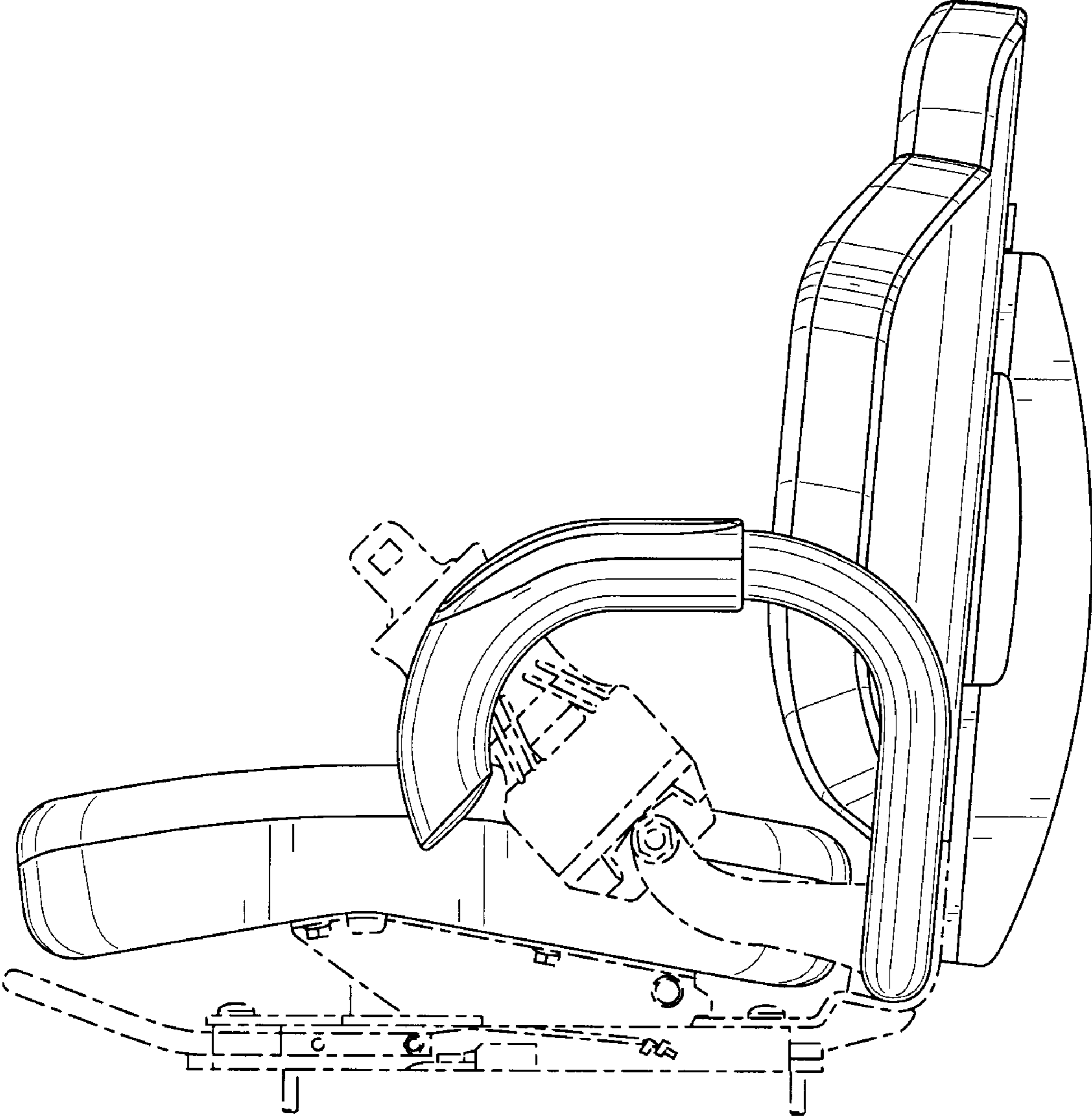


FIG. 4

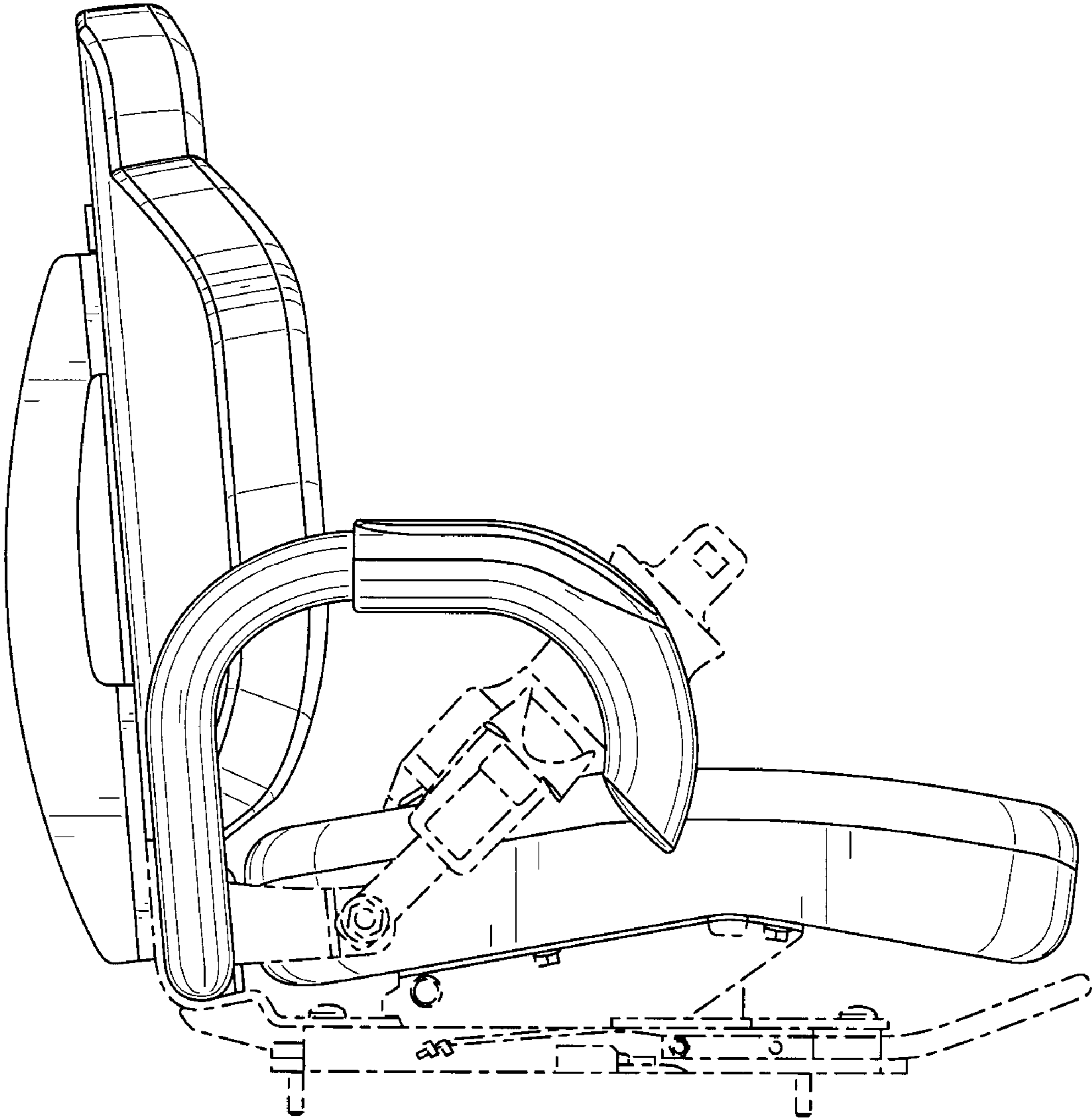


FIG. 5

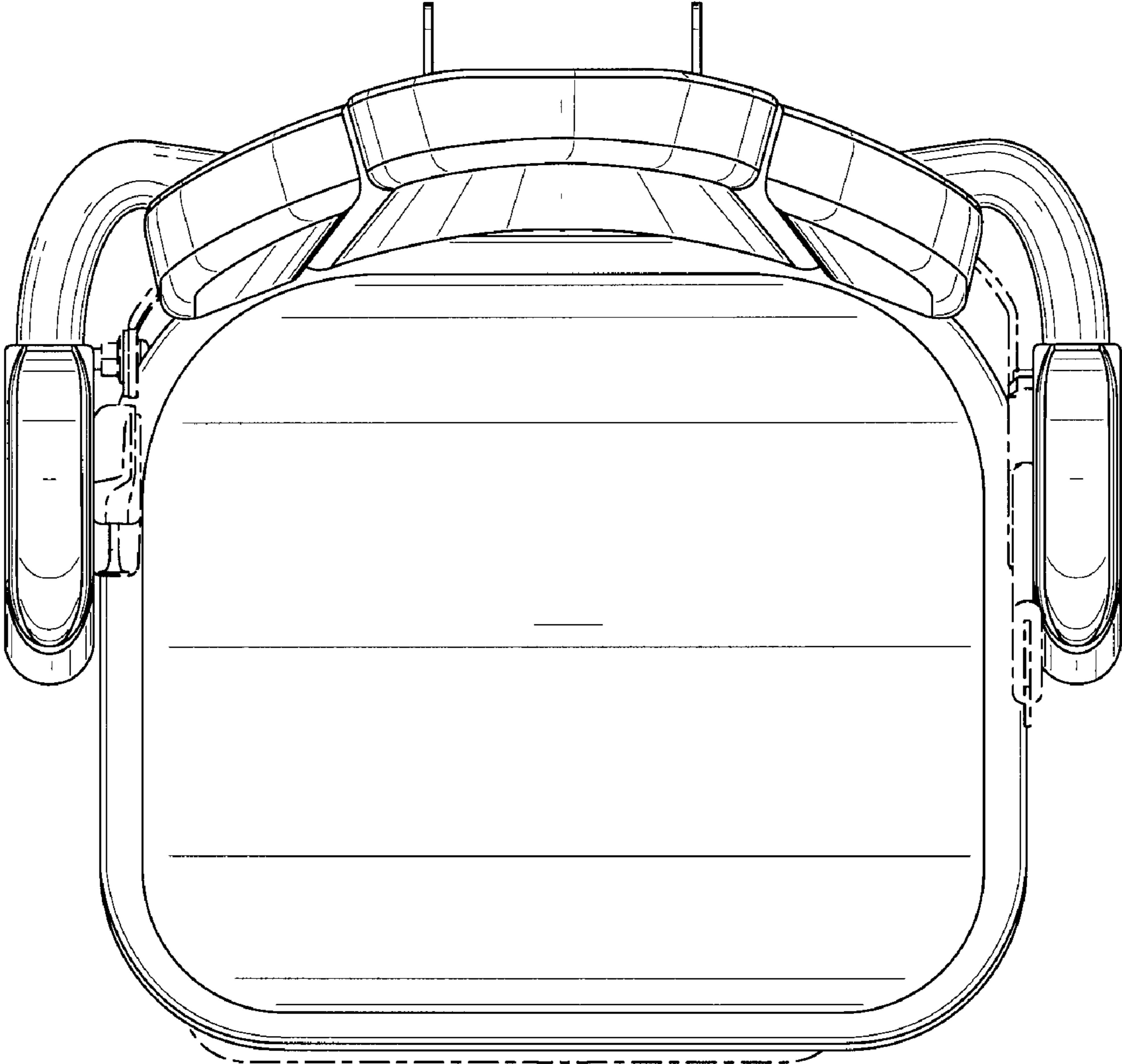


FIG. 6