



US00D554875S

(12) **United States Design Patent**  
**Emert**

(10) **Patent No.:** **US D554,875 S**

(45) **Date of Patent:** **\*\* Nov. 13, 2007**

(54) **FOLDABLE STOOL**

D460,566 S 7/2002 Henschel et al.  
D531,429 S \* 11/2006 Henschel ..... D6/480

(75) Inventor: **Daniel Emert**, Walhain (BE)

\* cited by examiner

(73) Assignee: **Isotronic Mezger KG** (DE)

*Primary Examiner*—Sandra Snapp  
(74) *Attorney, Agent, or Firm*—Stites & Harbison, PLLC;  
Marvin Petry

(\*\*) Term: **14 Years**

(21) Appl. No.: **29/249,445**

(57) **CLAIM**

(22) Filed: **Oct. 6, 2006**

The ornamental design for a foldable stool, as shown and described.

(30) **Foreign Application Priority Data**

Apr. 7, 2006 (EM) ..... 000509930

**DESCRIPTION**

(51) **LOC (8) Cl.** ..... **06-01**

FIG. 1 is a front elevational view of a foldable stool according to my new design, wherein the rear elevational view is a mirror image thereof;

(52) **U.S. Cl.** ..... **D6/353**

FIG. 2 is a top plan view thereof;

(58) **Field of Classification Search** ..... D6/349–355,  
D6/363–364, 484, 495, 500–502; 297/195.1,  
297/195.11, 16.1, 118, 16.2, 175, 187, 462,  
297/215.16, 219.11, 423.1, 423.39, 423.41,  
297/423.43, 461; 108/53.3, 115, 150

FIG. 3 is a bottom plan view thereof;

See application file for complete search history.

FIG. 4 is a right side elevational view thereof, wherein the left side elevational view is a mirror image thereof;

(56) **References Cited**

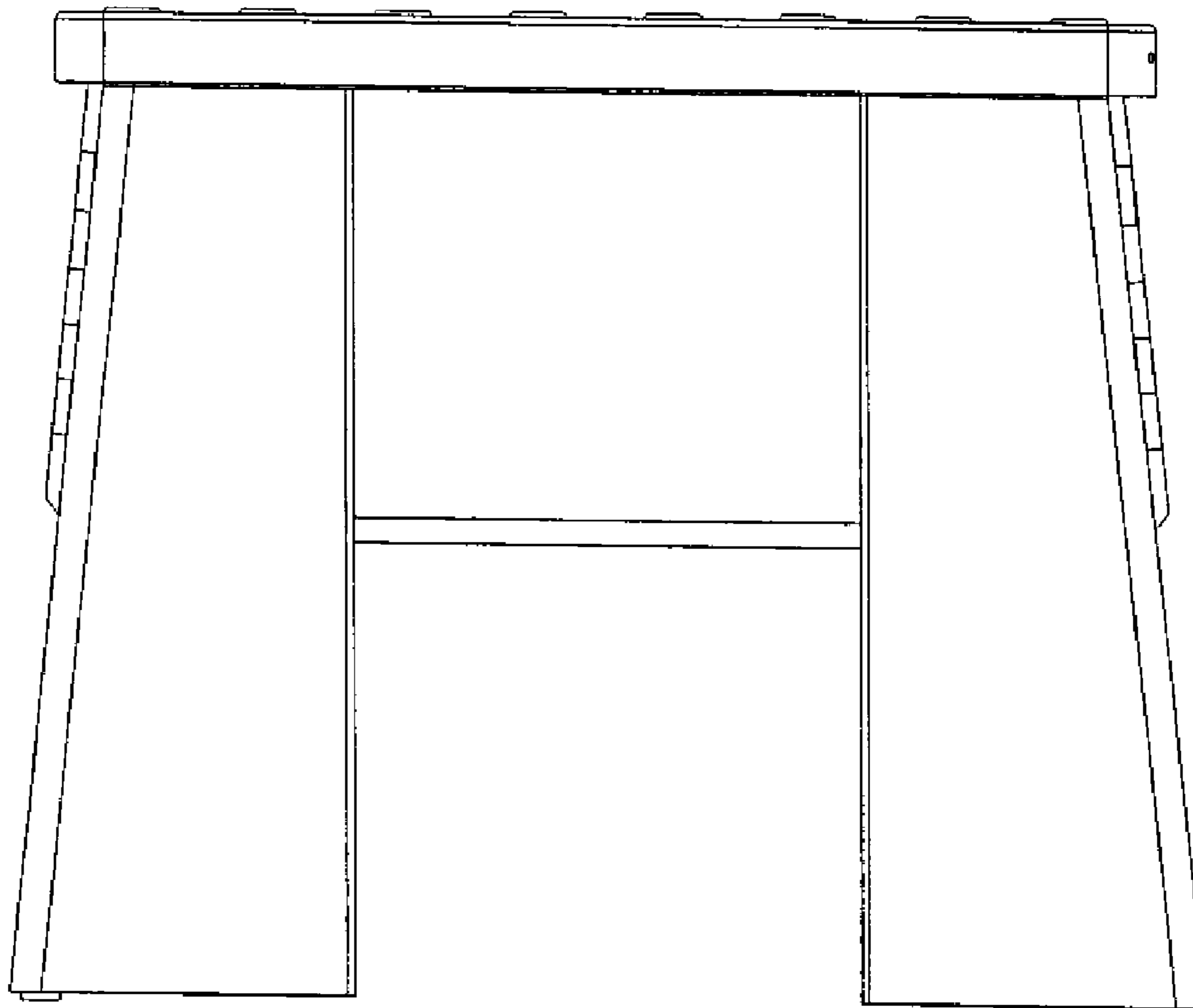
FIG. 5 is a top, front and right side perspective view thereof; and,

**U.S. PATENT DOCUMENTS**

4,630,861 A \* 12/1986 Henschel ..... 297/44  
D367,563 S \* 3/1996 Murken ..... D6/353

FIG. 6 is a bottom, front and right side perspective view thereof.

**1 Claim, 6 Drawing Sheets**



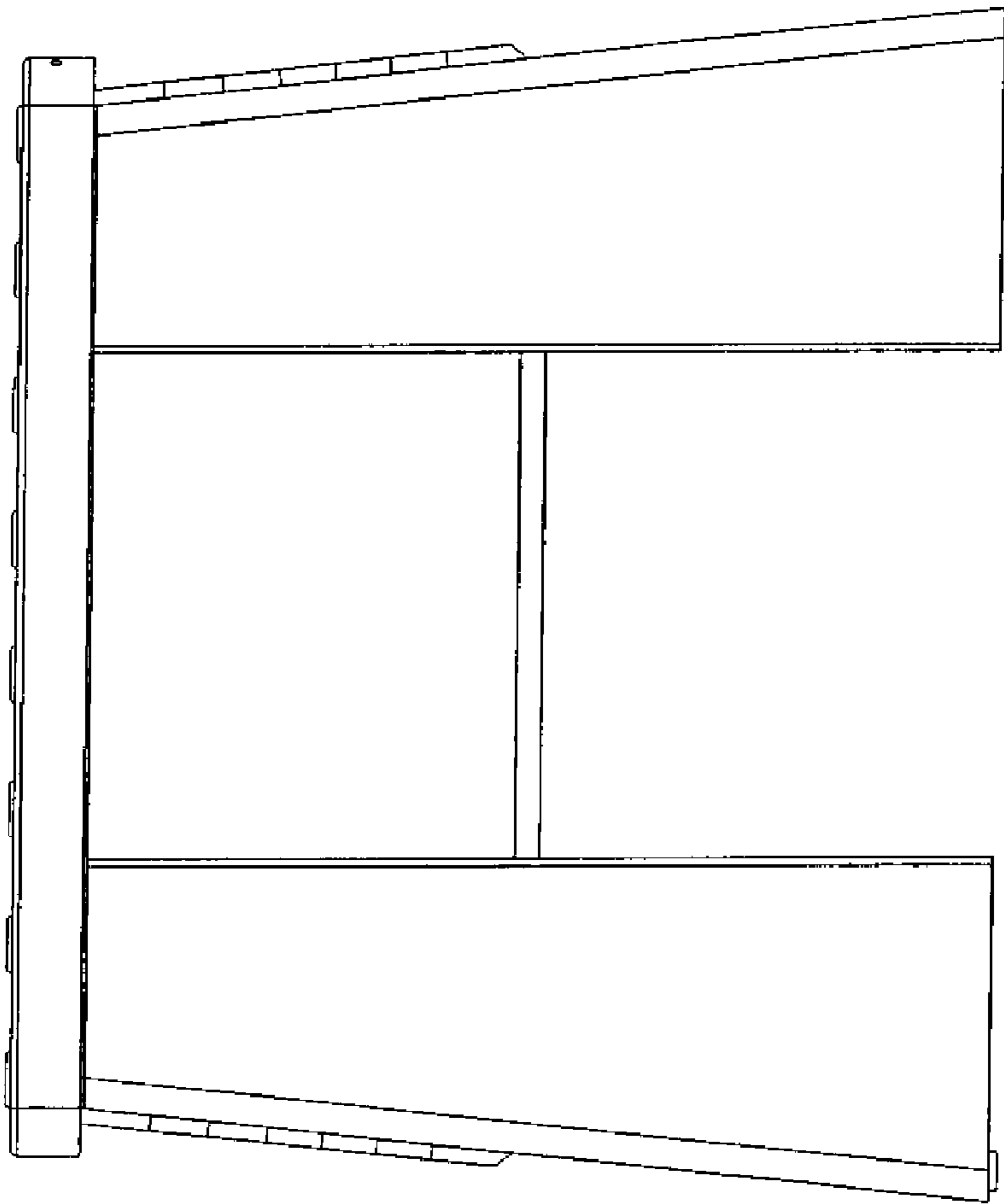


Figure 1

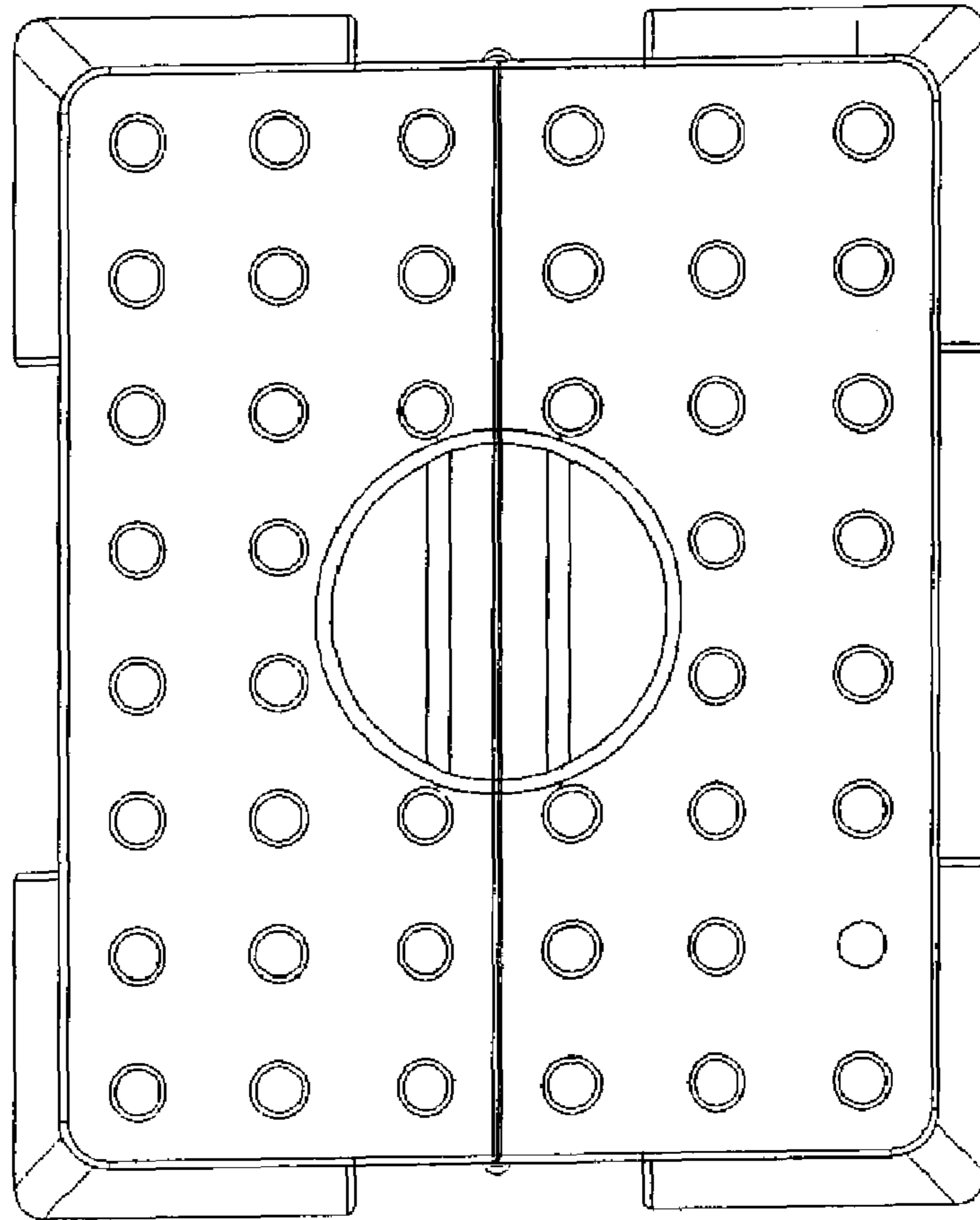


Figure 2

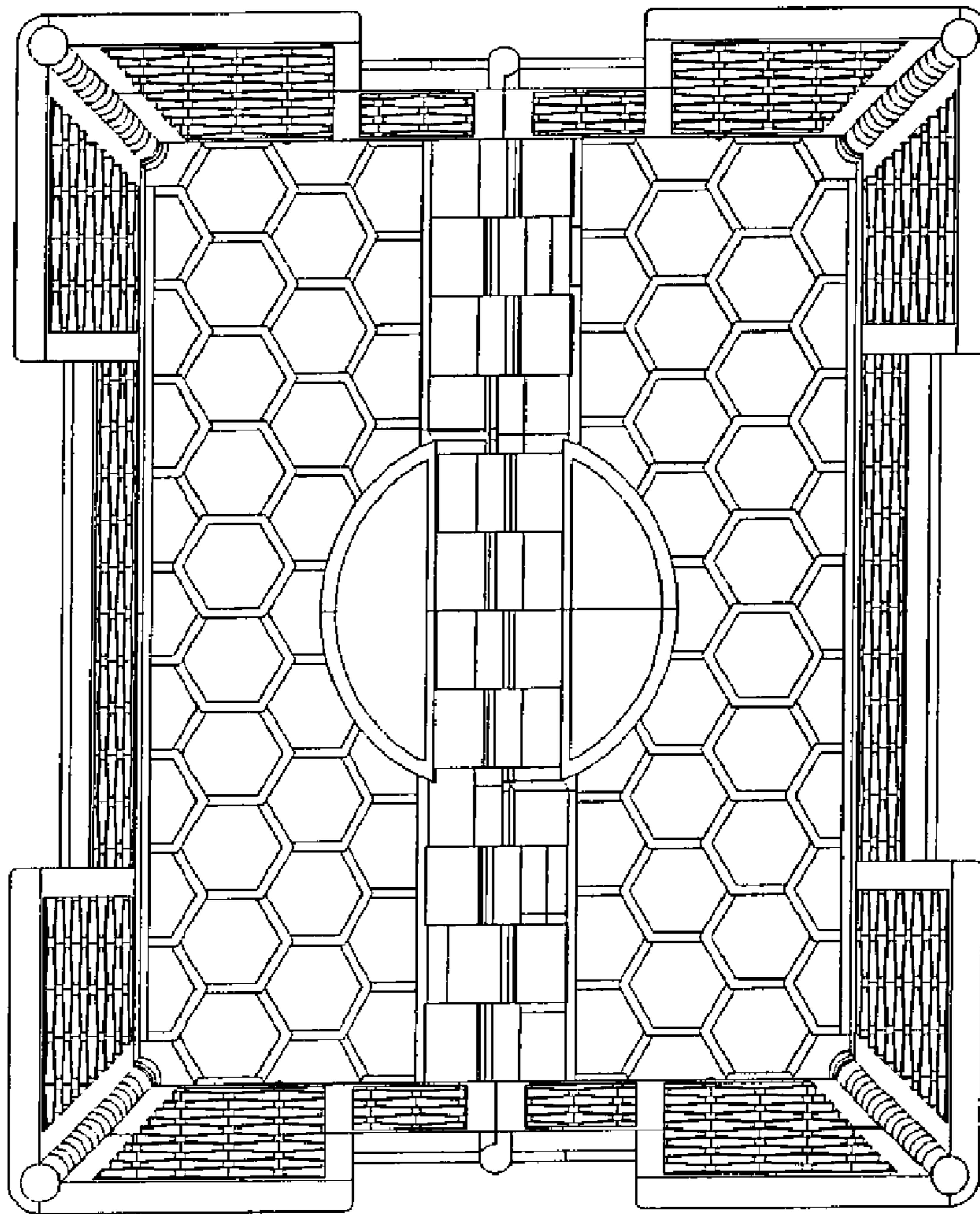


Figure 3

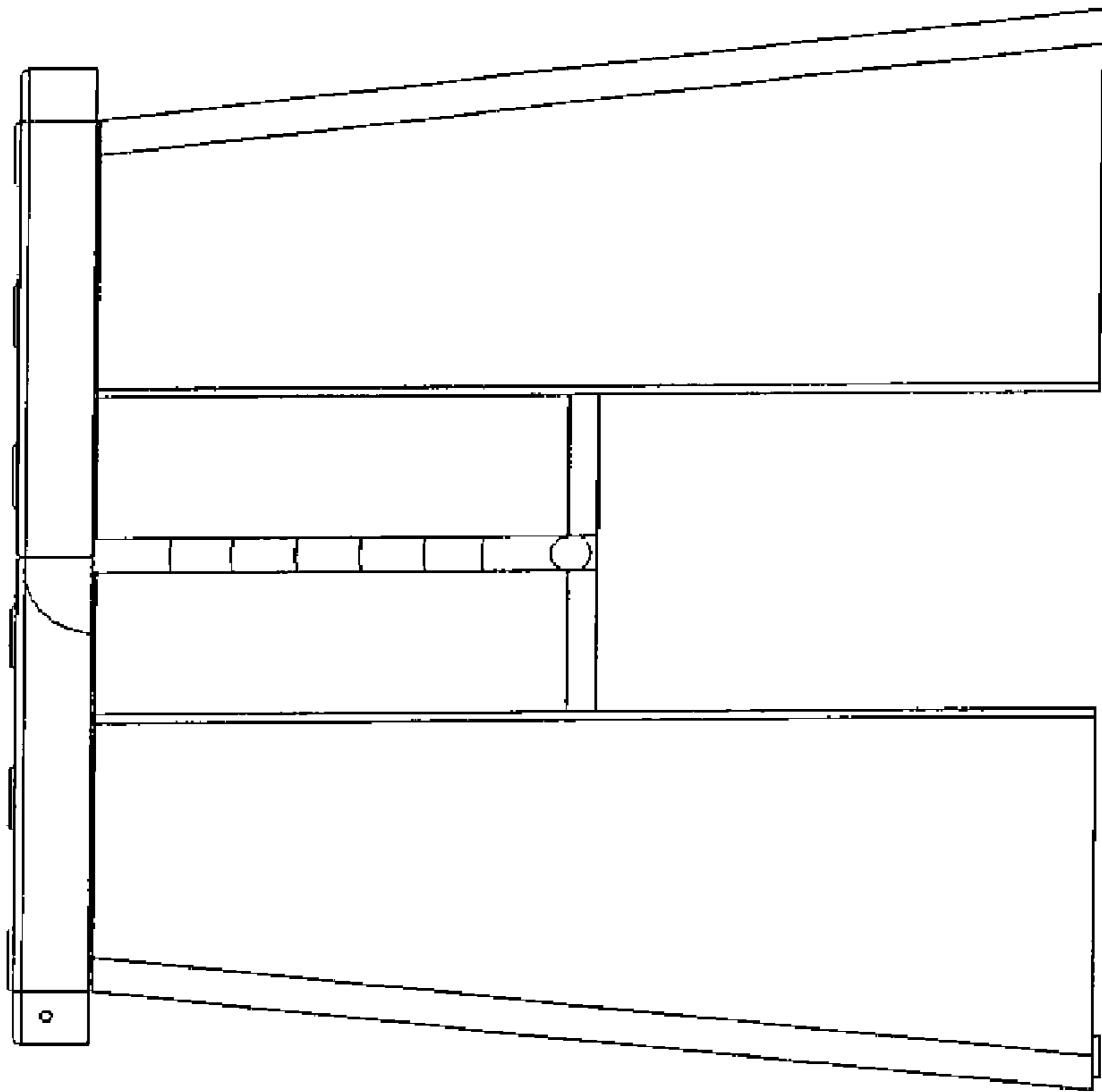


Figure 4

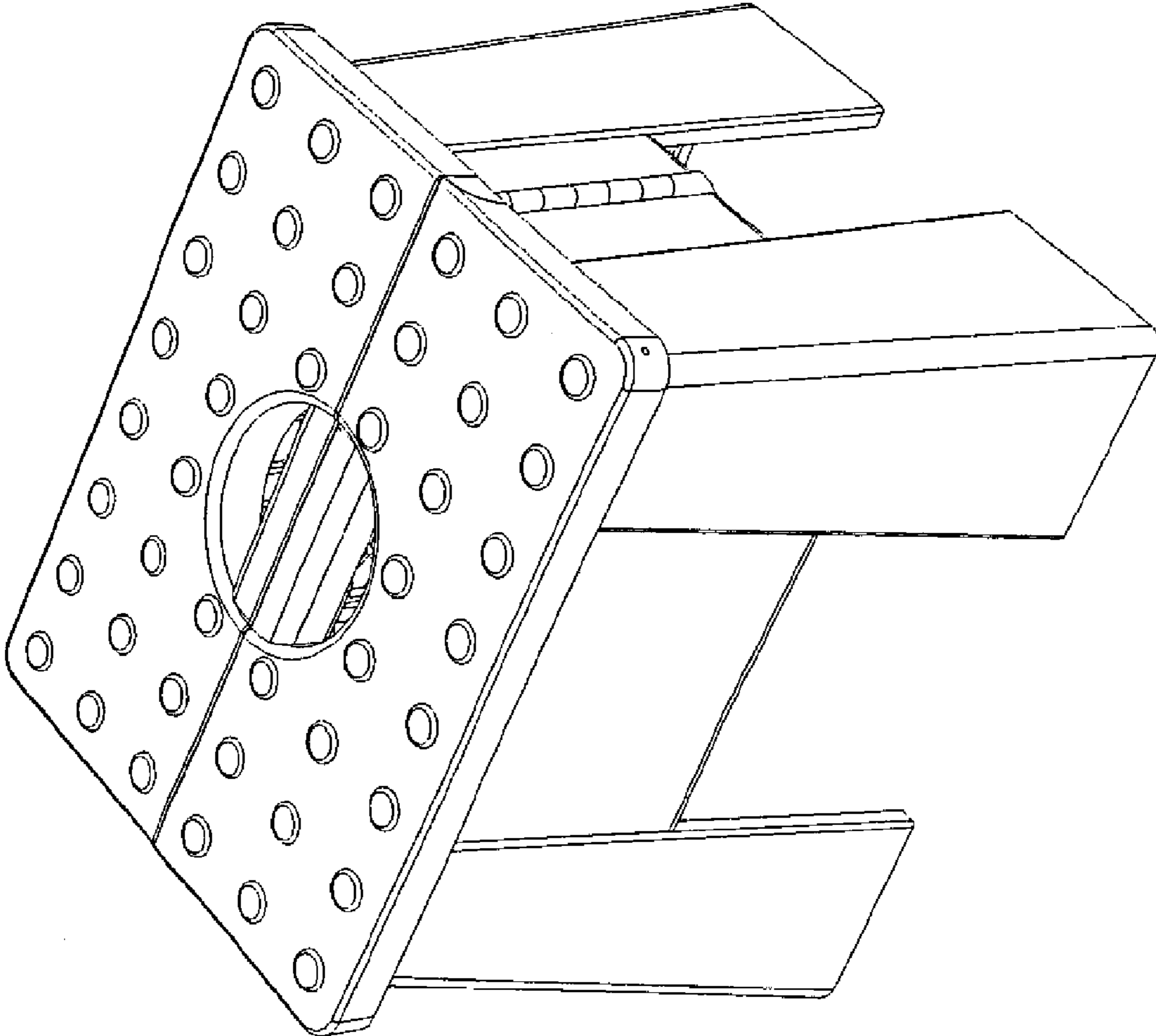


Figure 5

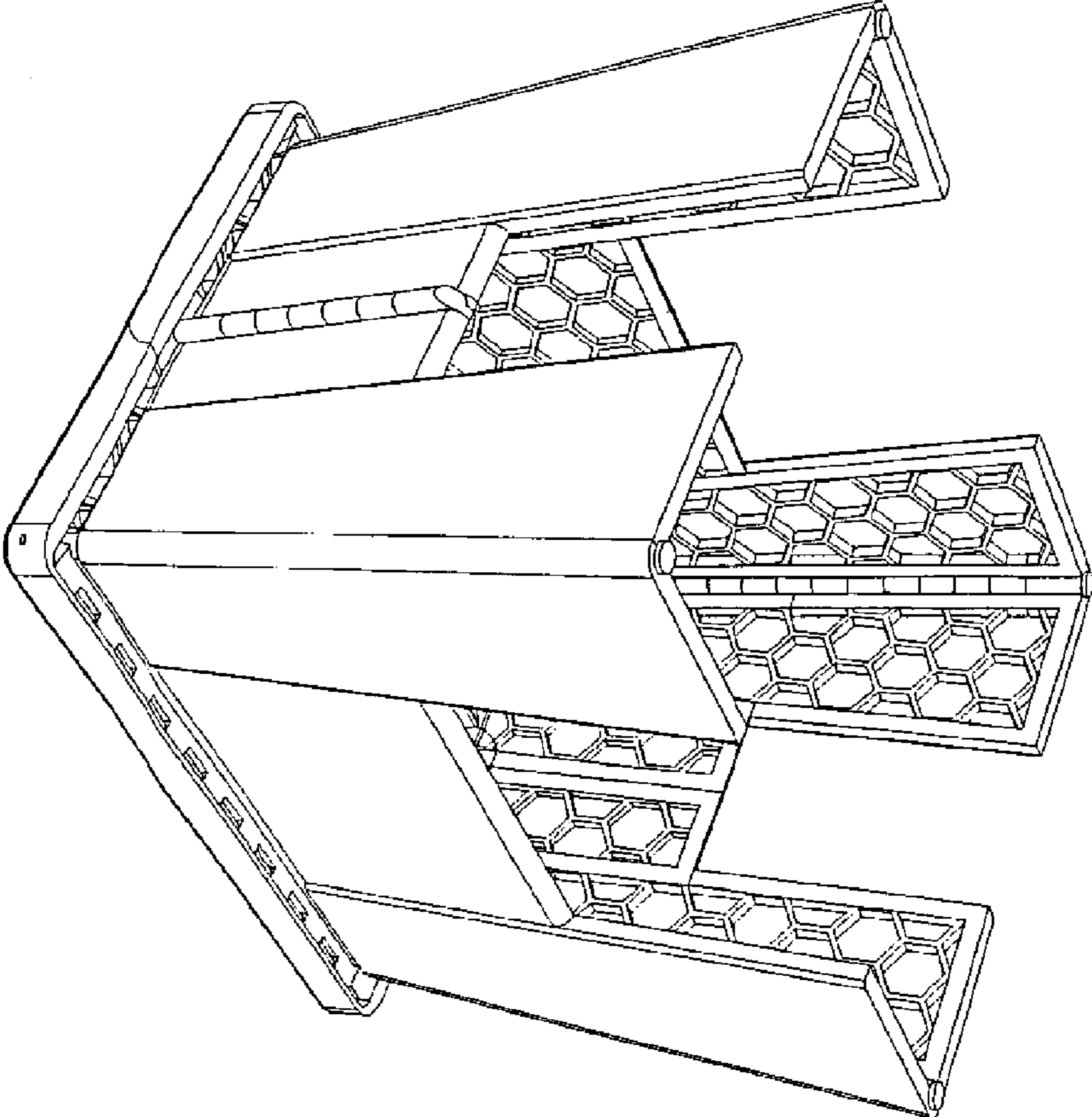


Figure 6