



US00D554871S

(12) **United States Design Patent**  
**Volk et al.**

(10) **Patent No.:** **US D554,871 S**

(45) **Date of Patent:** **\*\* Nov. 13, 2007**

(54) **BED FOR CHILDREN WITH AUTISM OR OTHER SLEEPING DISORDERS**

6,874,177 B2 \* 4/2005 Hsia ..... 5/93.1

(76) Inventors: **Matthew Andrew Volk**, 22555 Mill Creek Rd., Cicero, IN (US) 46034;  
**Christopher Allen Stupp**, 22595 Mill Creek Rd., Cicero, IN (US) 46034

\* cited by examiner

*Primary Examiner*—Janice E. Seeger

(74) *Attorney, Agent, or Firm*—Robert Steven Linne

(\*\*) Term: **14 Years**

(21) Appl. No.: **29/265,877**

(22) Filed: **Sep. 11, 2006**

(51) **LOC (8) Cl.** ..... **06-01**

(52) **U.S. Cl.** ..... **D6/331**

(58) **Field of Classification Search** ..... D6/382,  
D6/390, 391, 331, 385, 508; 5/93.1, 98.1,  
5/99.1, 101, 105

See application file for complete search history.

(56) **References Cited**

**U.S. PATENT DOCUMENTS**

- 4,187,564 A \* 2/1980 Alomar ..... 5/94
- D281,745 S \* 12/1985 Pandorf et al. .... D6/390
- D304,523 S \* 11/1989 Dillner et al. .... D6/391
- D365,932 S \* 1/1996 Reynolds et al. .... D6/331
- D434,914 S \* 12/2000 Wang ..... D6/331

(57) **CLAIM**

The ornamental design for a bed for children with autism or other sleeping disorders, substantially as shown and described.

**DESCRIPTION**

FIG. 1 is a perspective view of a bed for children with autism or other sleeping disorders, showing our new design;

FIG. 2 is a front elevational view, the rear being identical thereto;

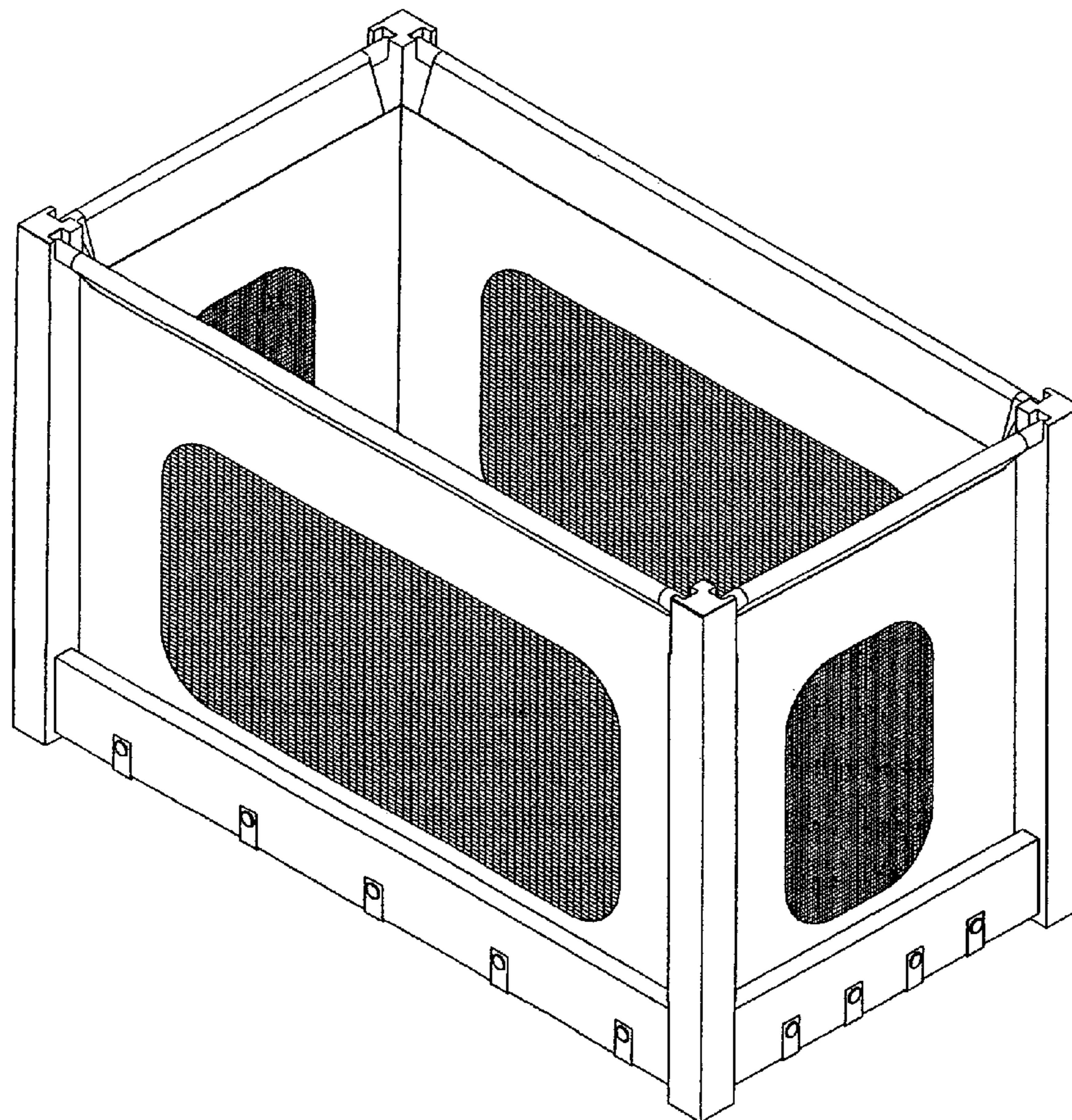
FIG. 3 is a top plan view;

FIG. 4 is a right side elevational view, the left side being identical thereto; and,

FIG. 5 is a bottom plan view thereof.

The broken lines in FIG. 3 are for environmental purposes only and form no part of the claimed design.

**1 Claim, 3 Drawing Sheets**





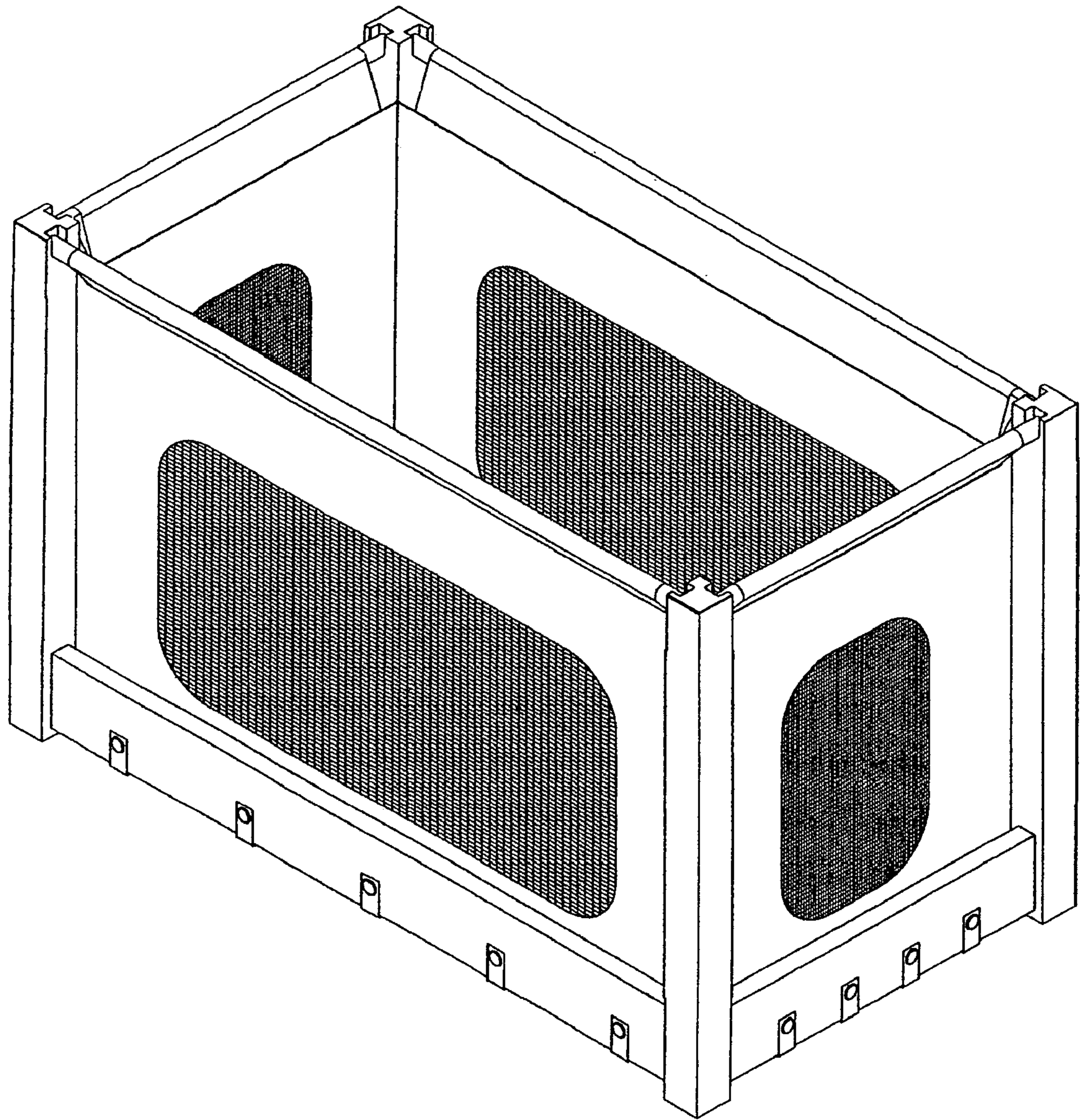
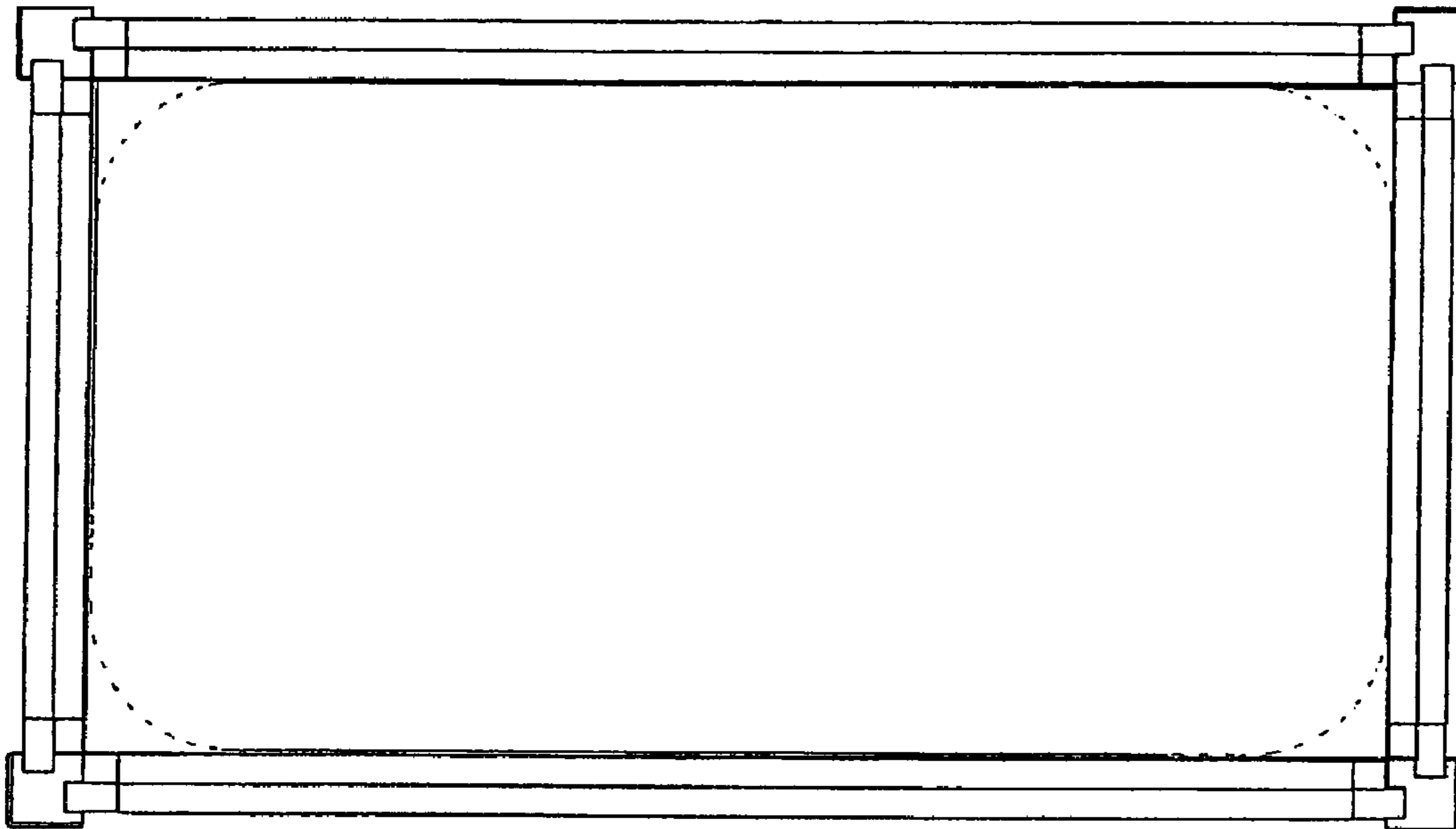
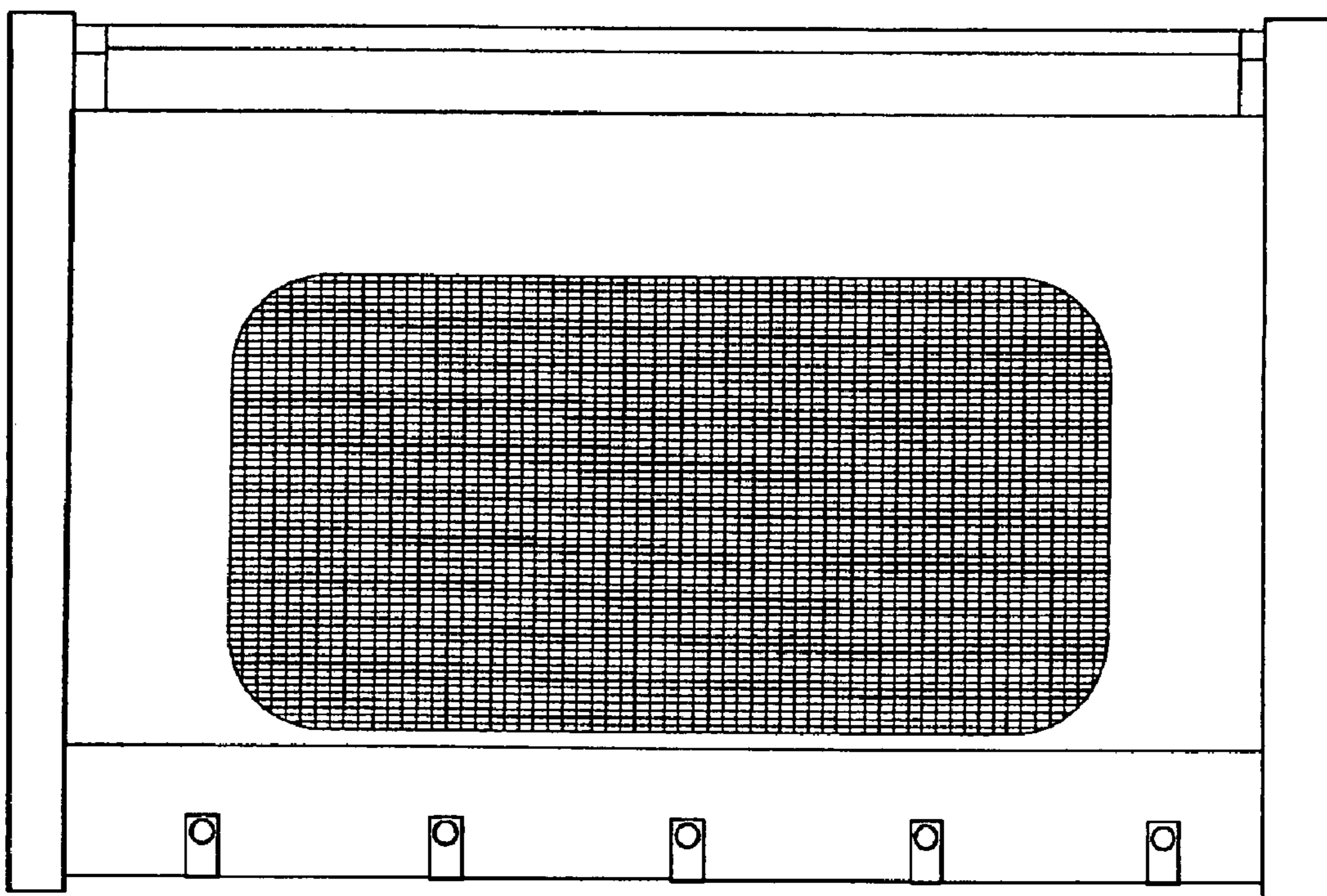


FIG. 1



**FIG. 3**



**FIG. 2**

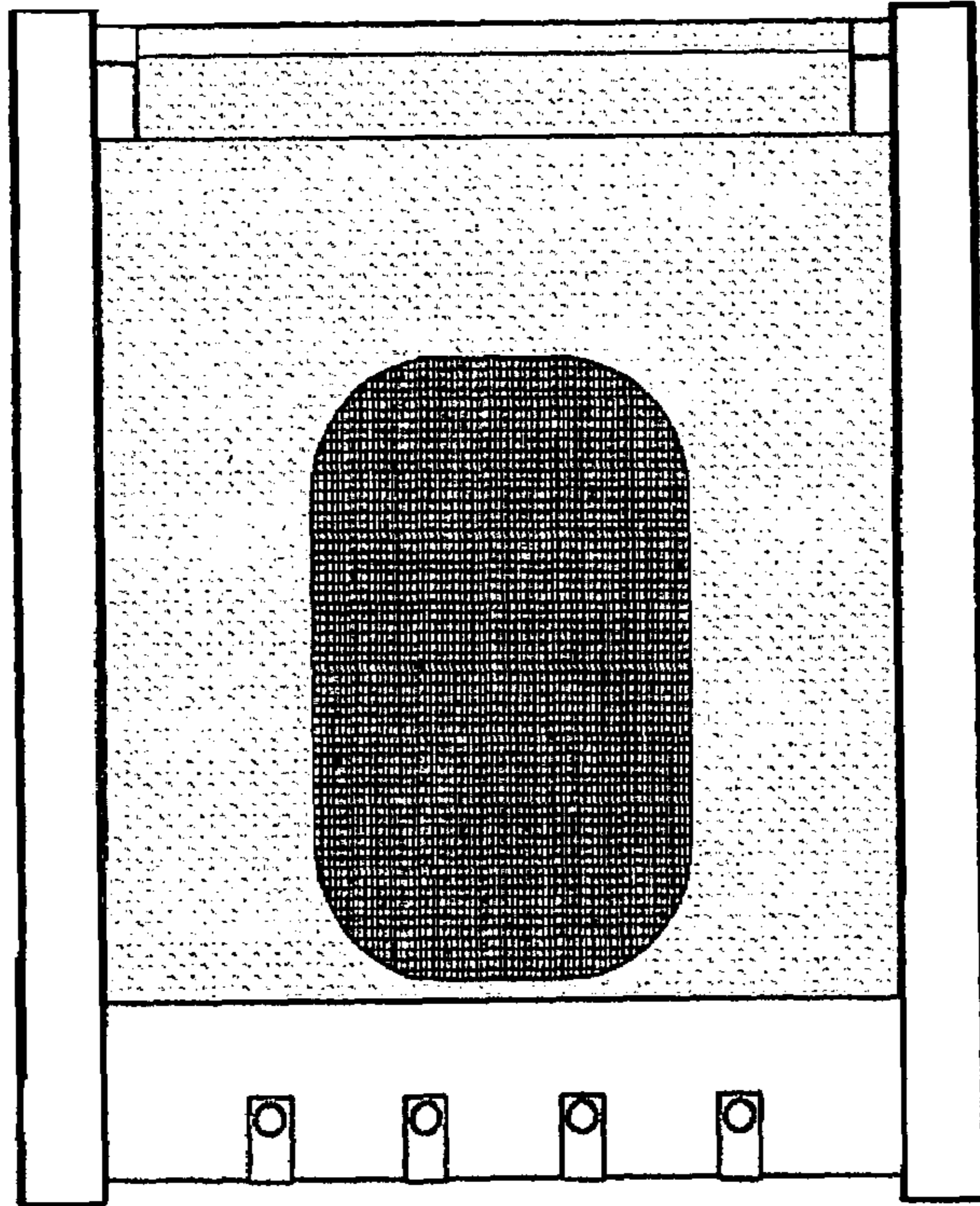


FIG. 4

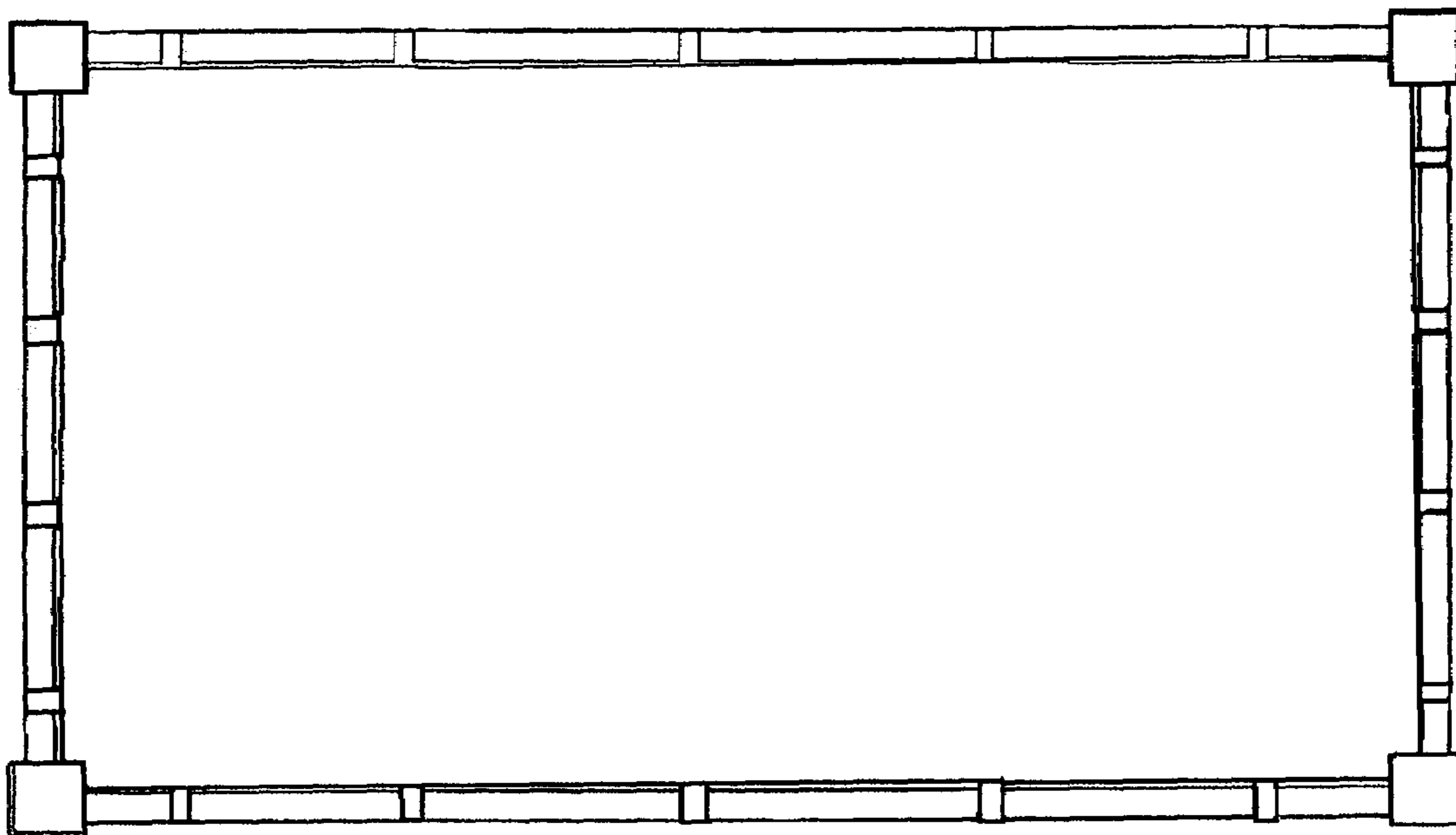


FIG. 5