



US00D554866S

(12) **United States Design Patent**
Hasty

(10) **Patent No.:** **US D554,866 S**

(45) **Date of Patent:** **** Nov. 13, 2007**

(54) **HAIRCUTTING CASE INSERT**

(76) **Inventor:** **James Hasty**, 5319 Sawgrass Ave.,
Richton Park, IL (US) 60471

(**) **Term:** **14 Years**

(21) **Appl. No.:** **29/232,643**

(22) **Filed:** **Jun. 23, 2005**

(51) **LOC (8) Cl.** **03-01**

(52) **U.S. Cl.** **D3/319**

(58) **Field of Classification Search** D3/304,
D3/308, 318, 319, 201, 205, 206, 203.3, 310,
D3/313, 321, 901; D28/9, 73, 44; 206/224,
206/581, 823; 132/286

See application file for complete search history.

(56) **References Cited**

U.S. PATENT DOCUMENTS

1,512,352 A	10/1924	Mallardi	
D233,486 S *	10/1974	Gonzalez	D28/9
D285,617 S *	9/1986	Stillwagon	D28/83
D326,777 S *	6/1992	Newby, Sr.	D3/319
D363,509 S *	10/1995	Parekh et al.	D19/75
D380,380 S *	7/1997	Quinton	D9/737
D395,166 S *	6/1998	Grey	D3/319
5,878,757 A *	3/1999	Hernandez	132/287
D414,808 S *	10/1999	Hunt	D19/75

6,109,442 A *	8/2000	Roegner	206/581
D448,048 S *	9/2001	Brown, III	D19/75
D449,158 S	10/2001	Banks	
6,625,510 B2	9/2003	Kimball et al.	
D491,693 S *	6/2004	Chen	D28/83
2004/0200748 A1 *	10/2004	Klassen et al.	206/368

* cited by examiner

Primary Examiner—Louis S. Zarfes

Assistant Examiner—Kathleen Sims

(74) *Attorney, Agent, or Firm*—Richard C. Litman

(57) **CLAIM**

The ornamental design for a haircutting case insert, as shown and described.

DESCRIPTION

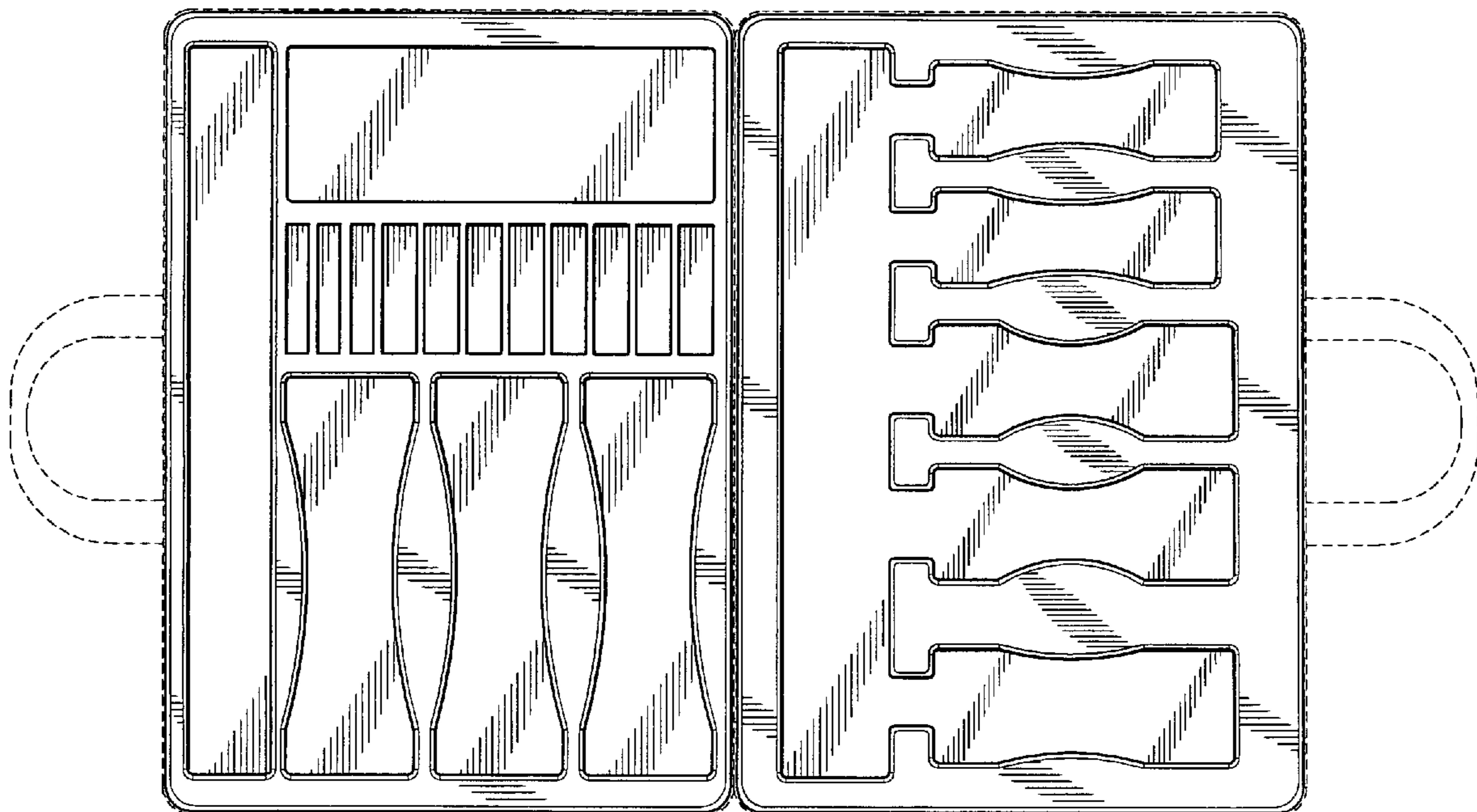
FIG. 1 is a top plan view of a haircutting case insert showing my new design;

FIG. 2 is a perspective view thereof; and,

FIG. 3 is a perspective view thereof.

The broken line showing of the case and case handle in FIGS. 1 and 3, and the case flap and haircutting implements shown in FIG. 3 is included for the purpose of illustrating portions of the environment of the haircutting case insert and forms no part of the claimed design.

1 Claim, 3 Drawing Sheets



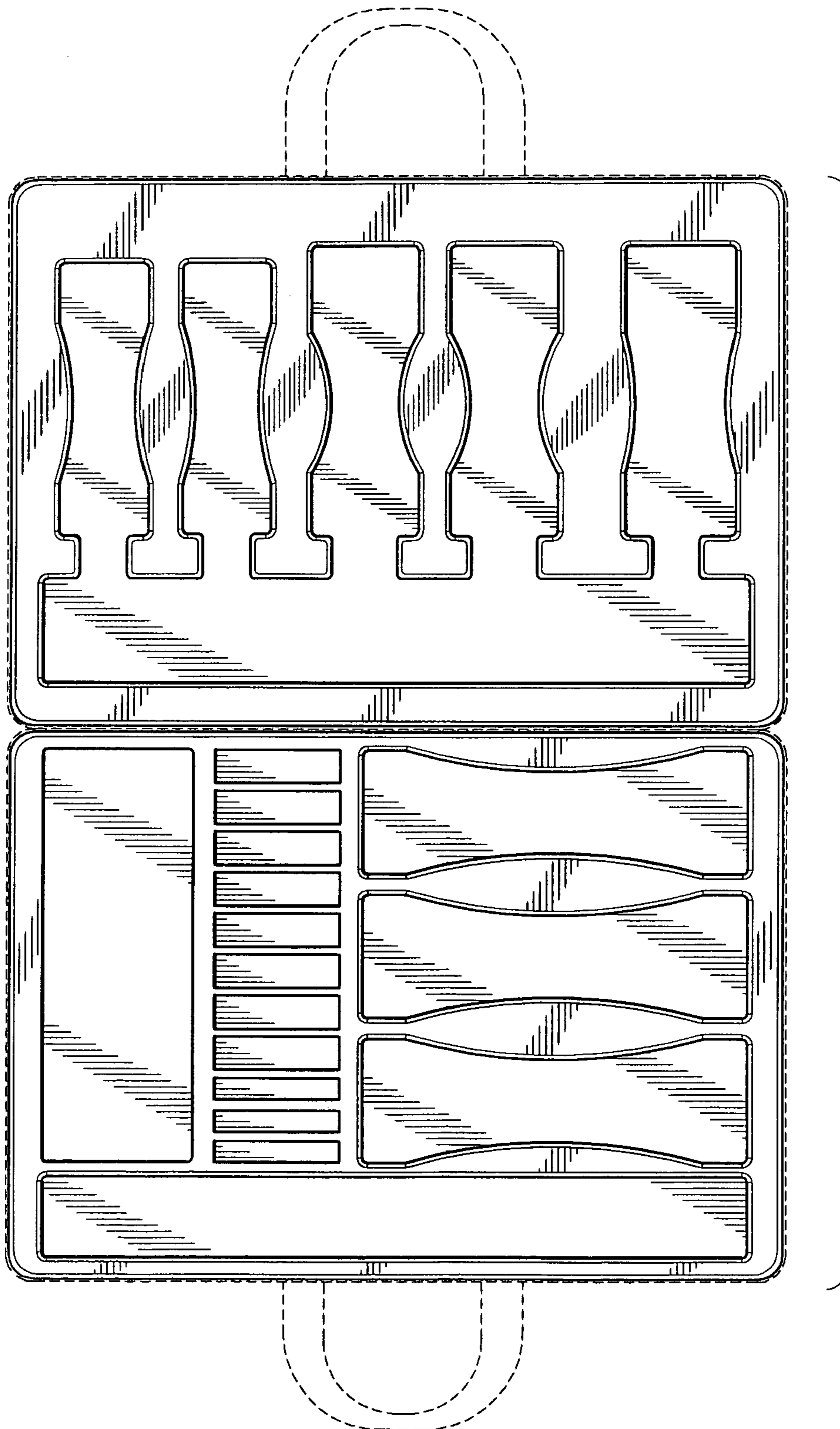


Fig. 1

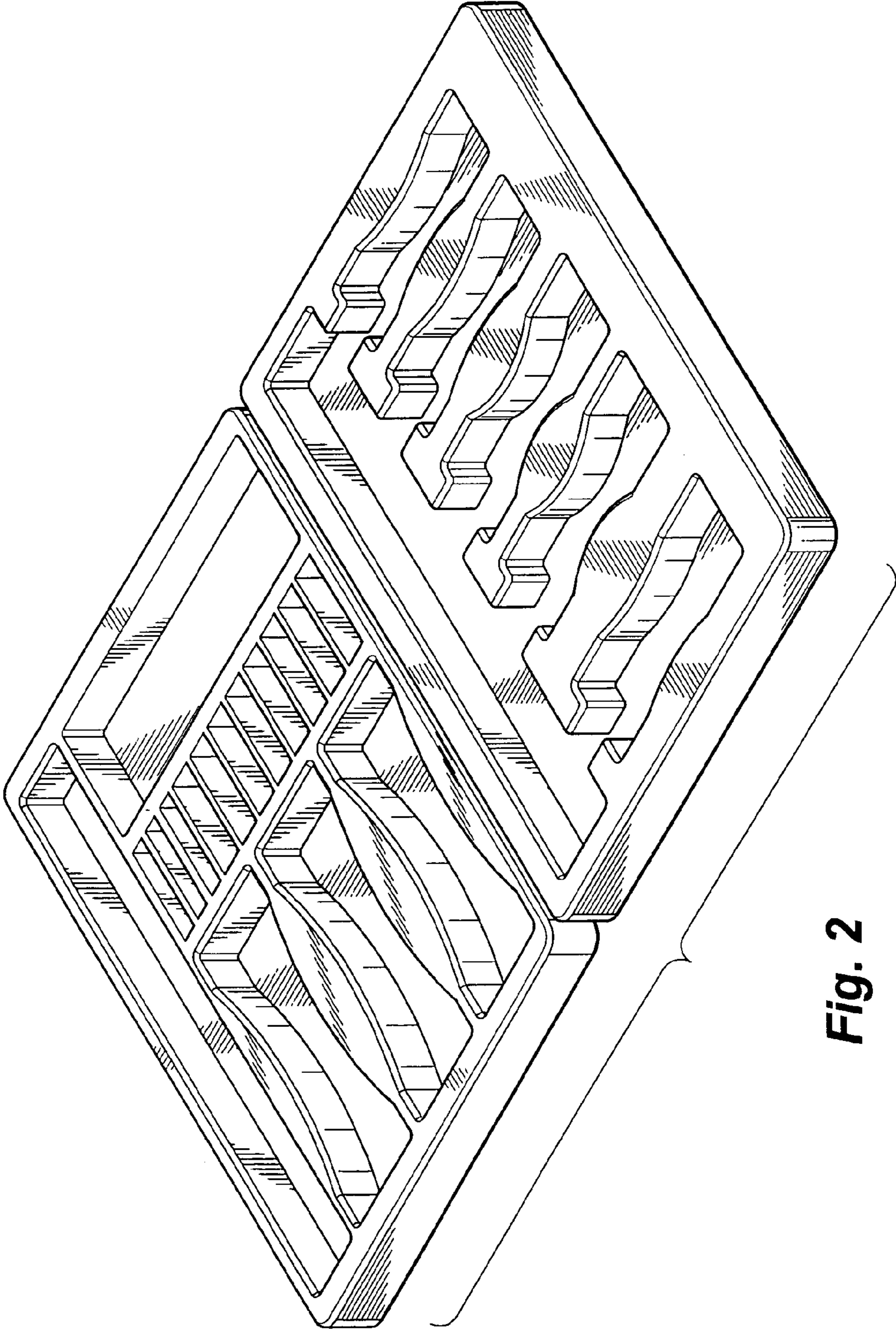


Fig. 2

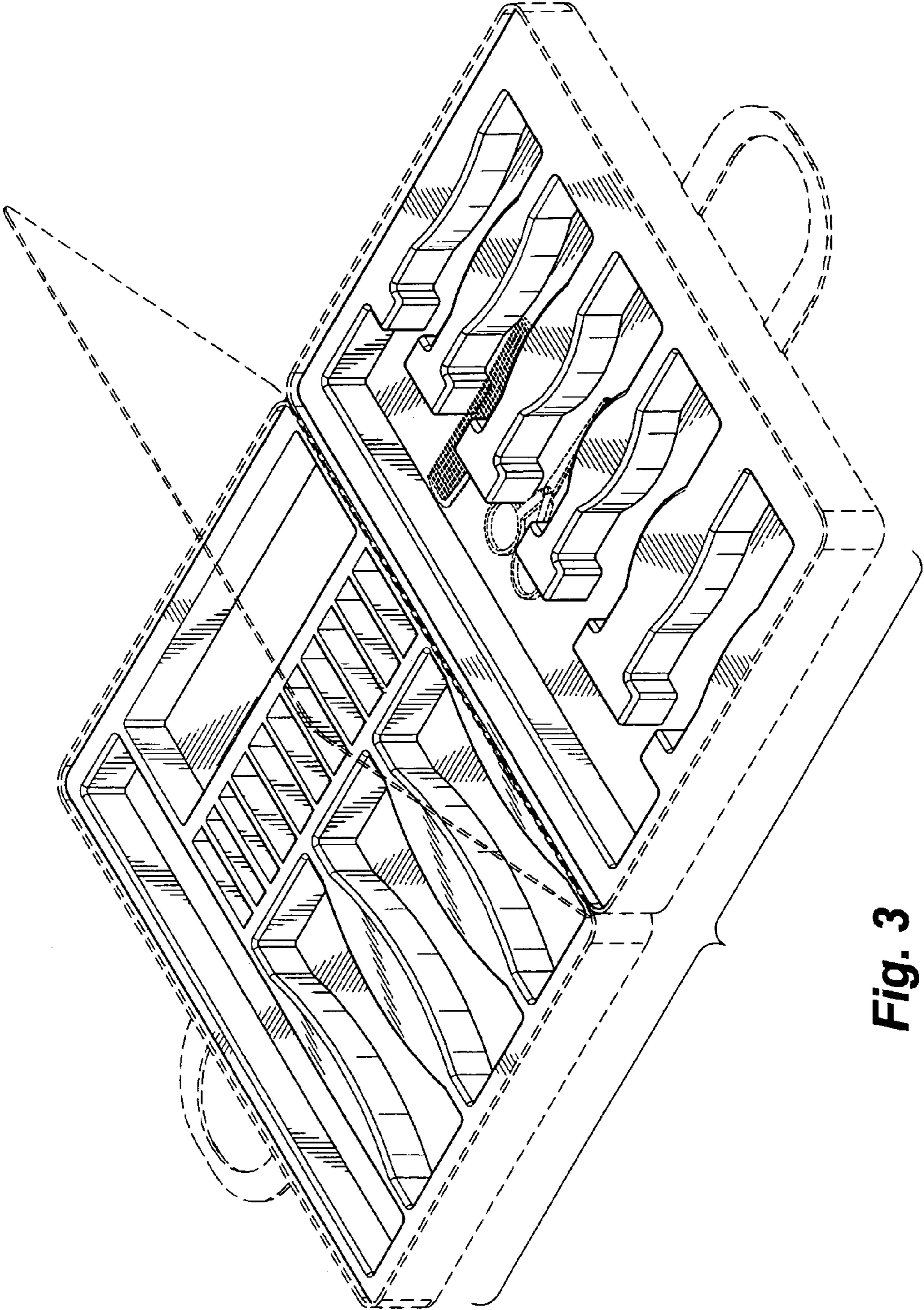


Fig. 3