

US00D554862S

(12) **United States Design Patent**
Hsieh

(10) **Patent No.:** **US D554,862 S**

(45) **Date of Patent:** **** Nov. 13, 2007**

(54) **SUITCASE**

(75) **Inventor:** **Dick-Ming Hsieh**, Tainan Hsien (TW)

(73) **Assignee:** **Eminent Luggage Corp.**, Tainan Hsien (TW)

(**) **Term:** **14 Years**

(21) **Appl. No.:** **29/258,568**

(22) **Filed:** **Apr. 24, 2006**

(51) **LOC (8) Cl.** **03-01**

(52) **U.S. Cl.** **D3/279; D3/283; D3/289**

(58) **Field of Classification Search** **D3/263, D3/273, 276, 279, 283, 288-289, 301, 902; 190/18 R, 18 A, 100, 103, 107-108, 109-115, 190/119, 122, 124-127, 903; 280/37-40, 280/47.17-47.19, 47.2, 47.371, 47.24, 47.26**

See application file for complete search history.

(56) **References Cited**

U.S. PATENT DOCUMENTS

- D354,396 S * 1/1995 Lowenstein D3/276
- 5,671,831 A * 9/1997 Chiu 190/103
- 6,062,356 A * 5/2000 Nykoluk 190/18 R
- D441,161 S * 4/2001 Shetterly D34/25
- D457,723 S * 5/2002 Tyler D3/267
- 6,443,274 B1 * 9/2002 Klamm 190/18 A
- D492,110 S * 6/2004 Van Himbeeck et al. D3/279
- D521,234 S * 5/2006 Le Coq et al. D3/260

- D522,747 S * 6/2006 Tortorella et al. D3/279
- D534,353 S * 1/2007 Hsieh D3/279
- 2002/0088679 A1 * 7/2002 Abraham 190/111

OTHER PUBLICATIONS

Soft Sided Series 6, Eminent Luggage Corporation. Downloaded May 25, 2007 at <http://www.eminent.com/soft6.htm>.*

* cited by examiner

Primary Examiner—Philip S. Hyder

Assistant Examiner—R. L. (Ulm) Cody

(74) *Attorney, Agent, or Firm*—Brinks Hofer Gilson & Lione

(57) **CLAIM**

The ornamental design for a suitcase, as shown and described.

DESCRIPTION

FIG. 1 is a perspective view of suitcase showing my new design;

FIG. 2 is a front elevational view thereof;

FIG. 3 is a rear elevational view thereof;

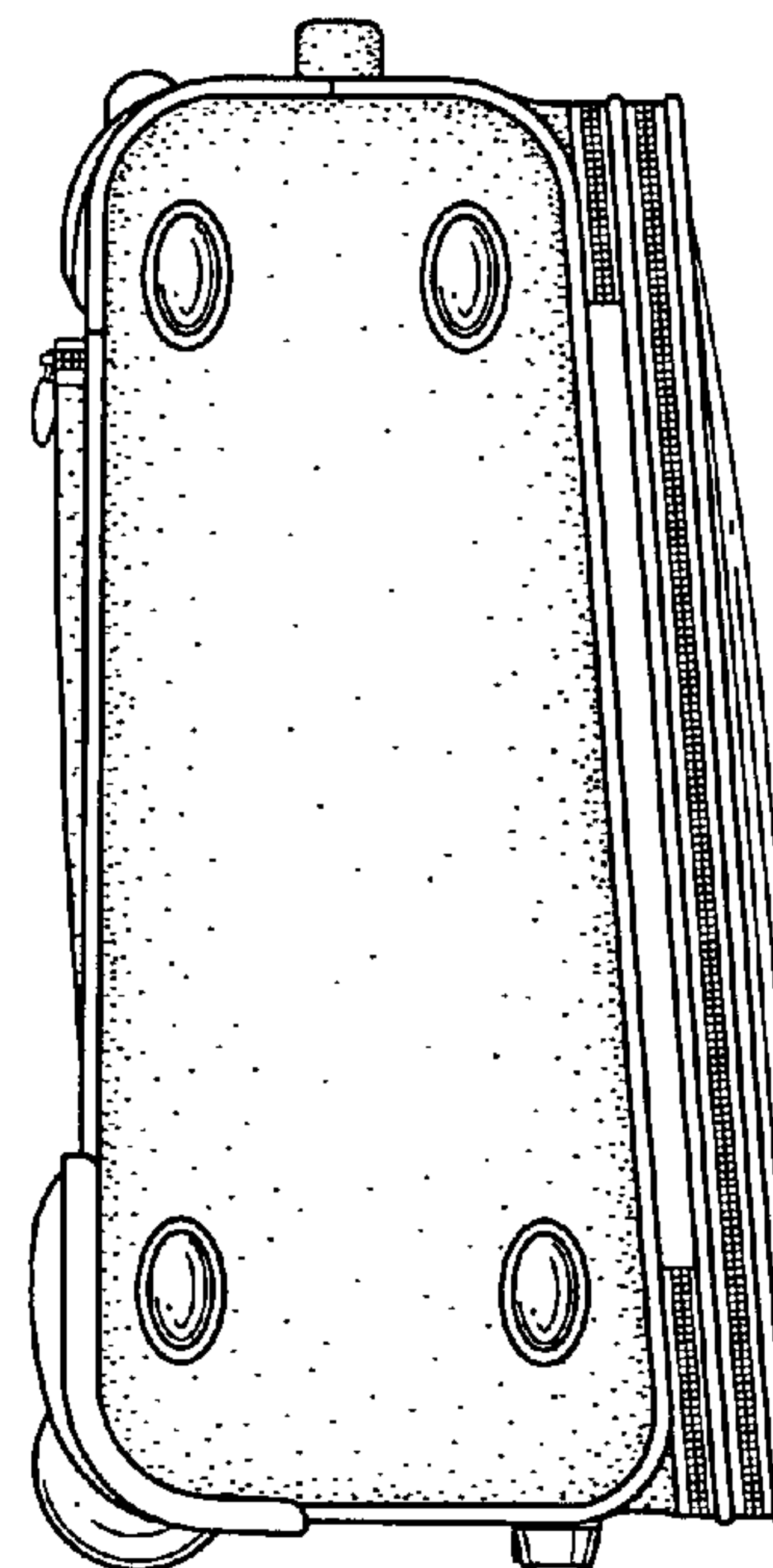
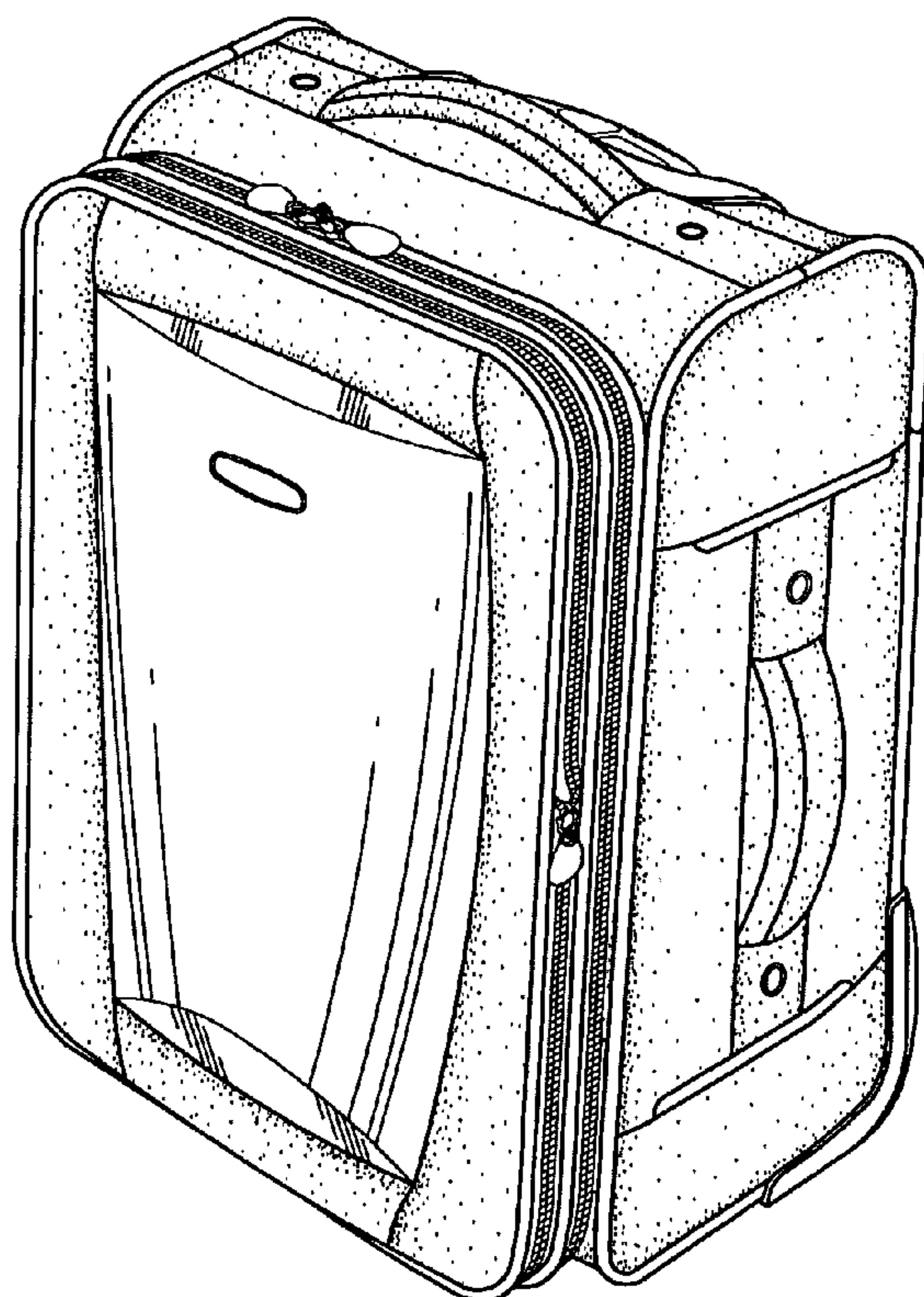
FIG. 4 is a left side elevational view thereof;

FIG. 5 is a right side elevational view thereof;

FIG. 6 is a top plan view thereof; and,

FIG. 7 is a bottom plan view thereof.

1 Claim, 4 Drawing Sheets



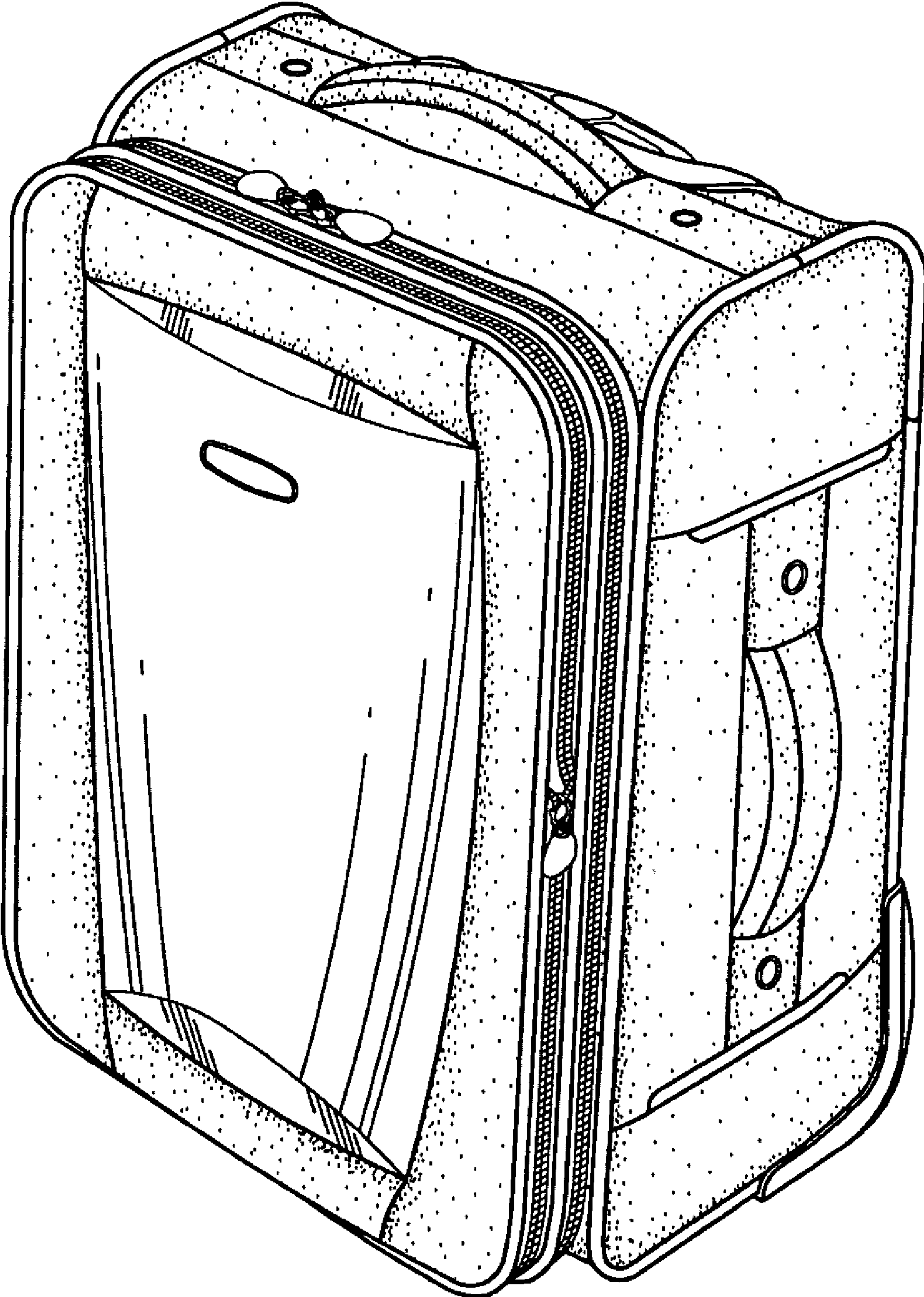


FIG. 1

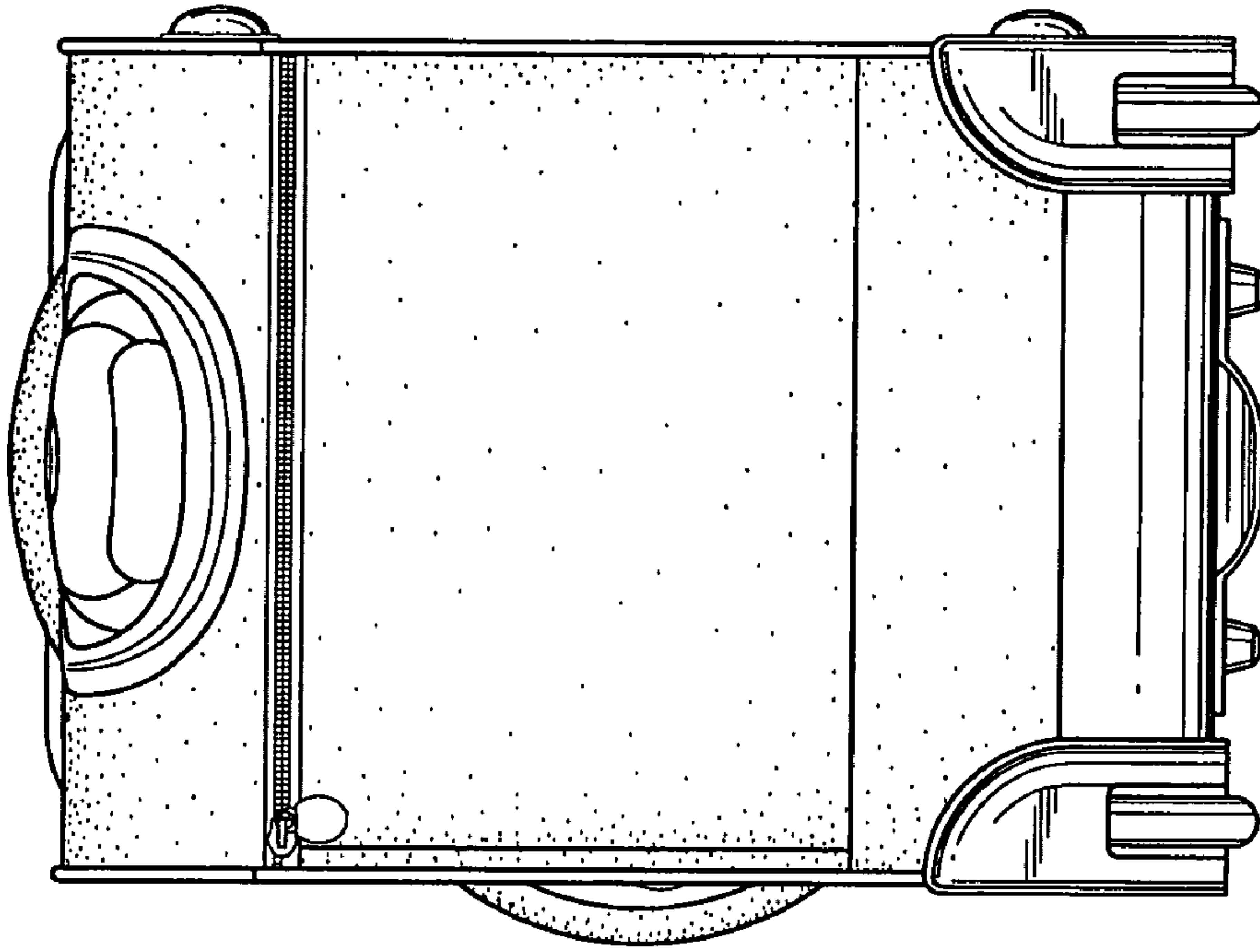


FIG. 3

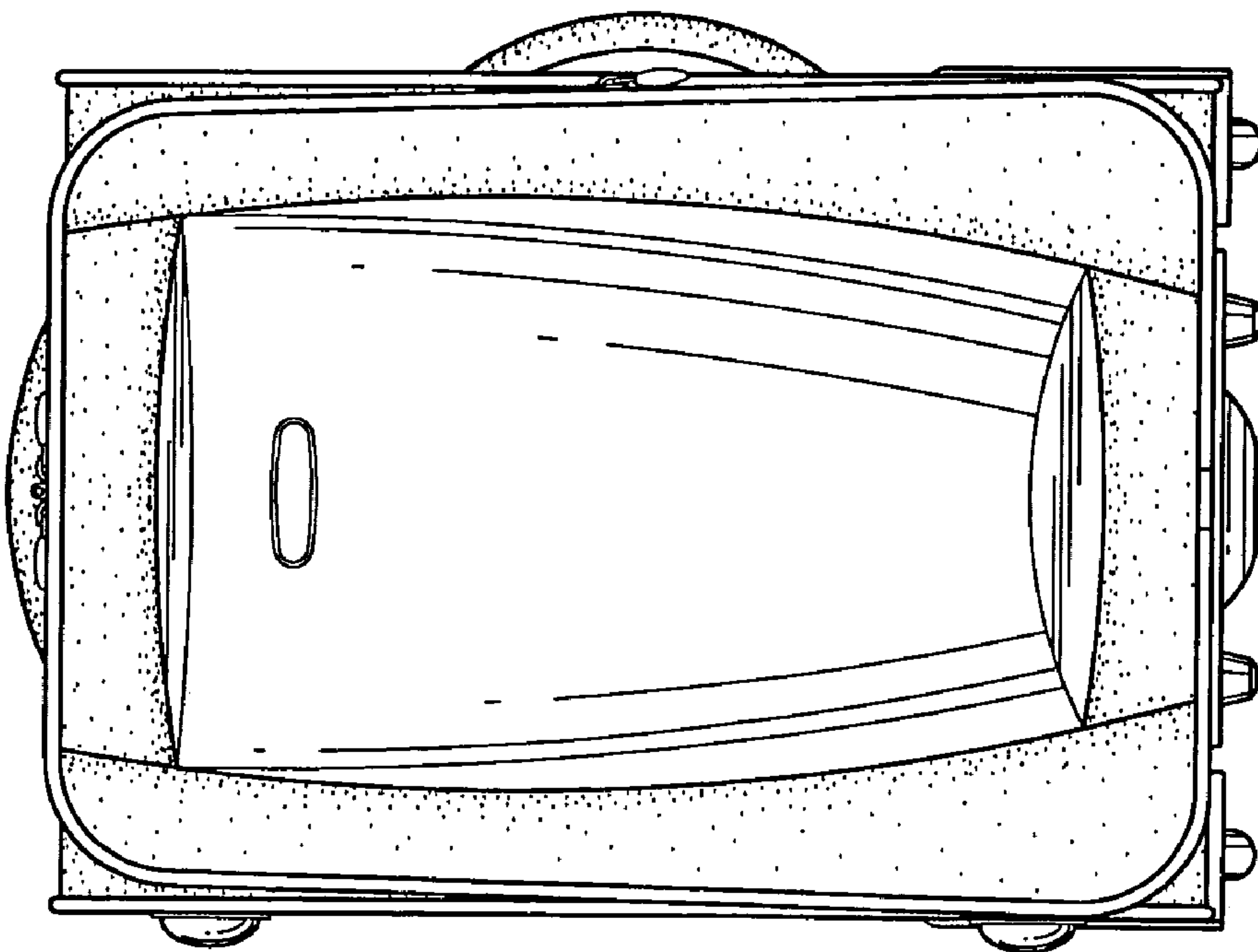


FIG. 2

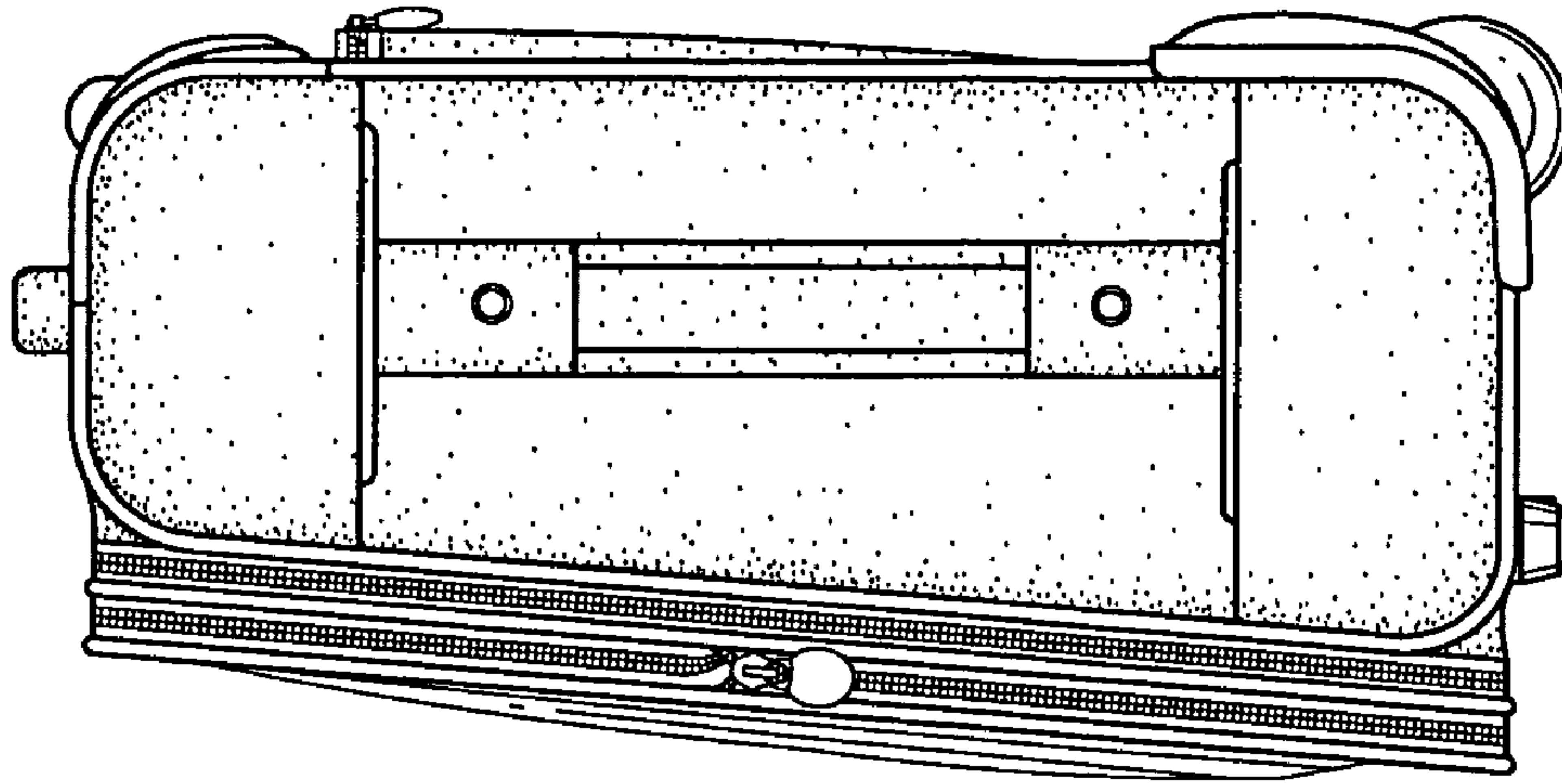


FIG. 5

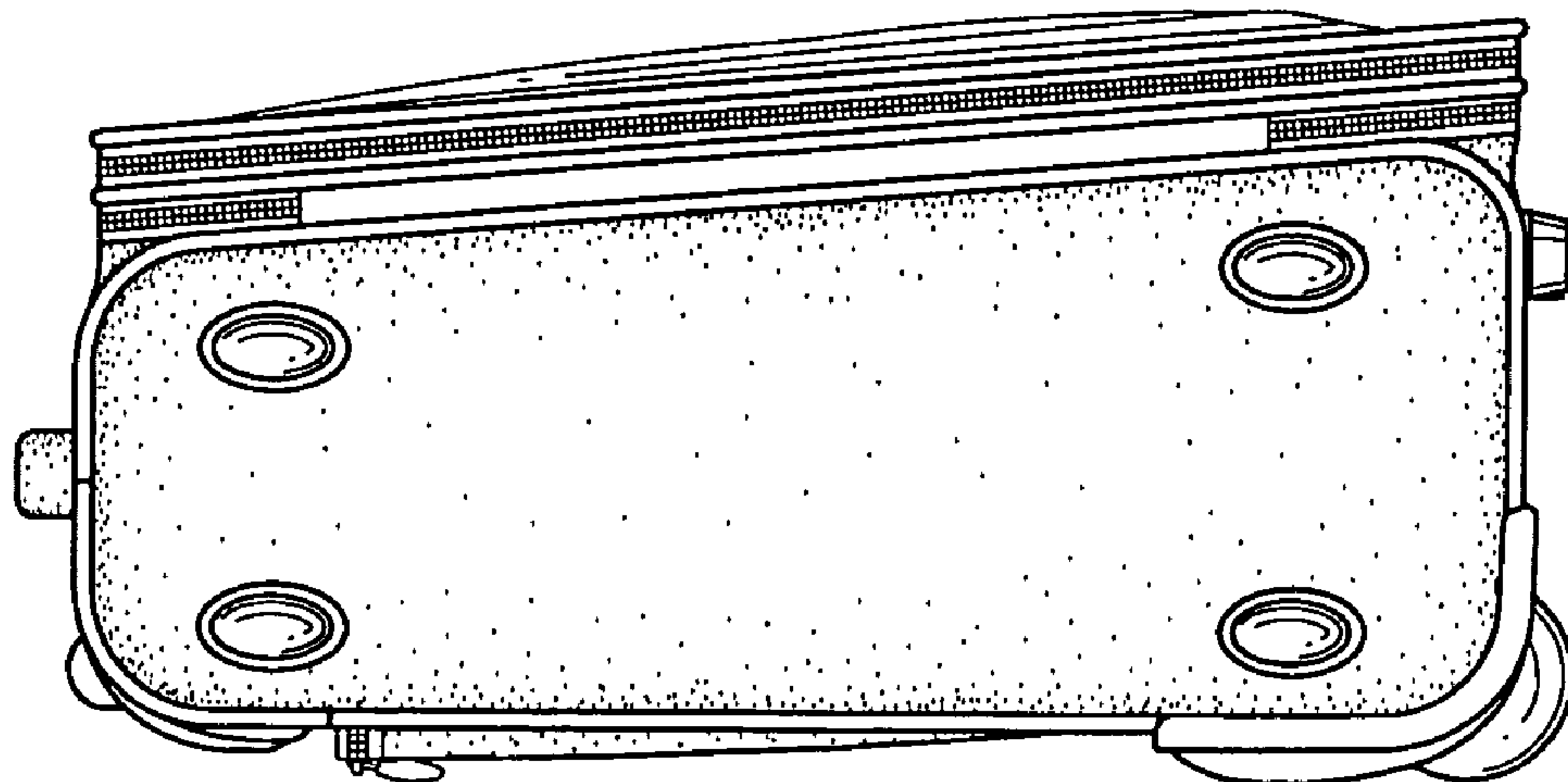


FIG. 4

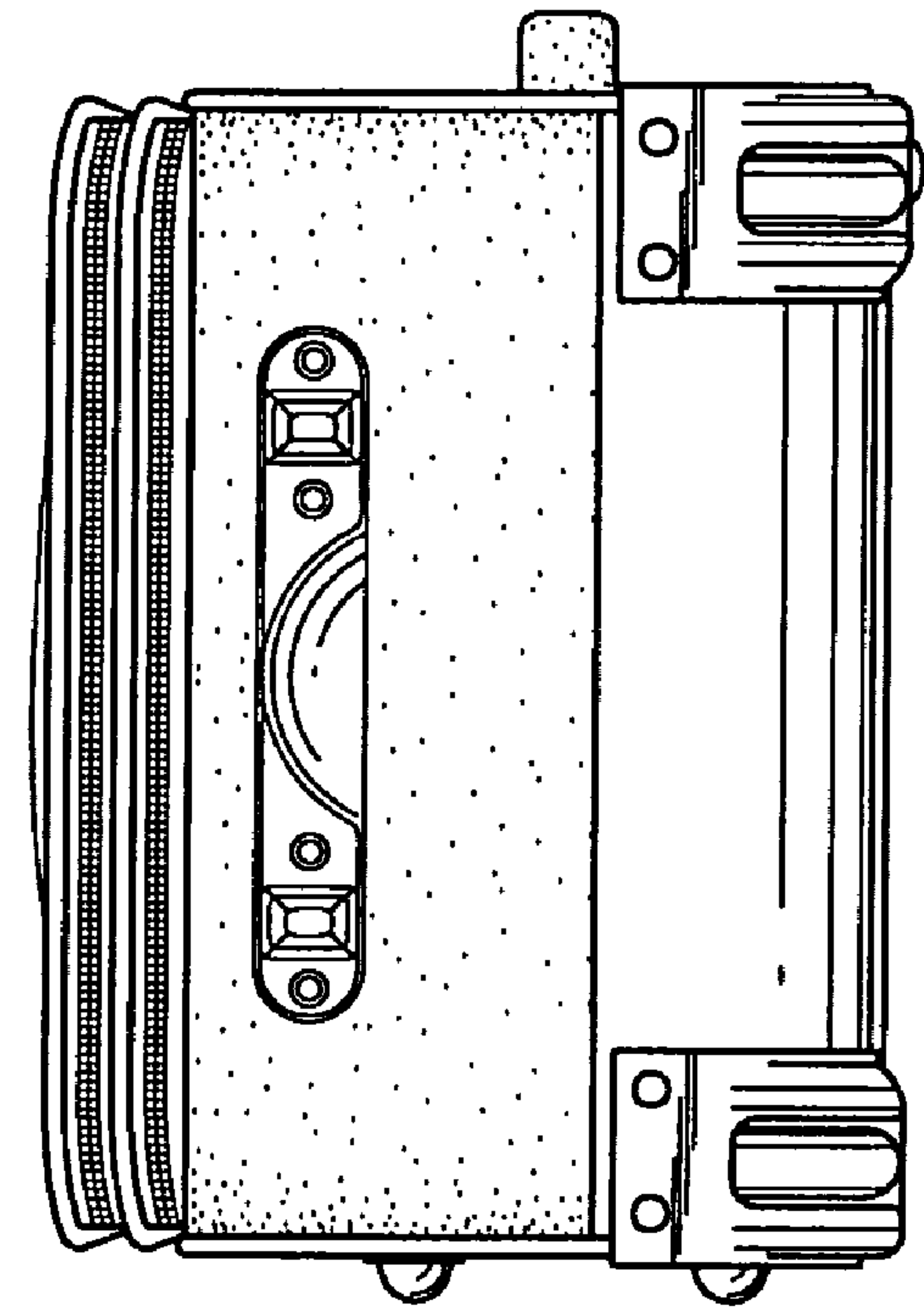


FIG. 7

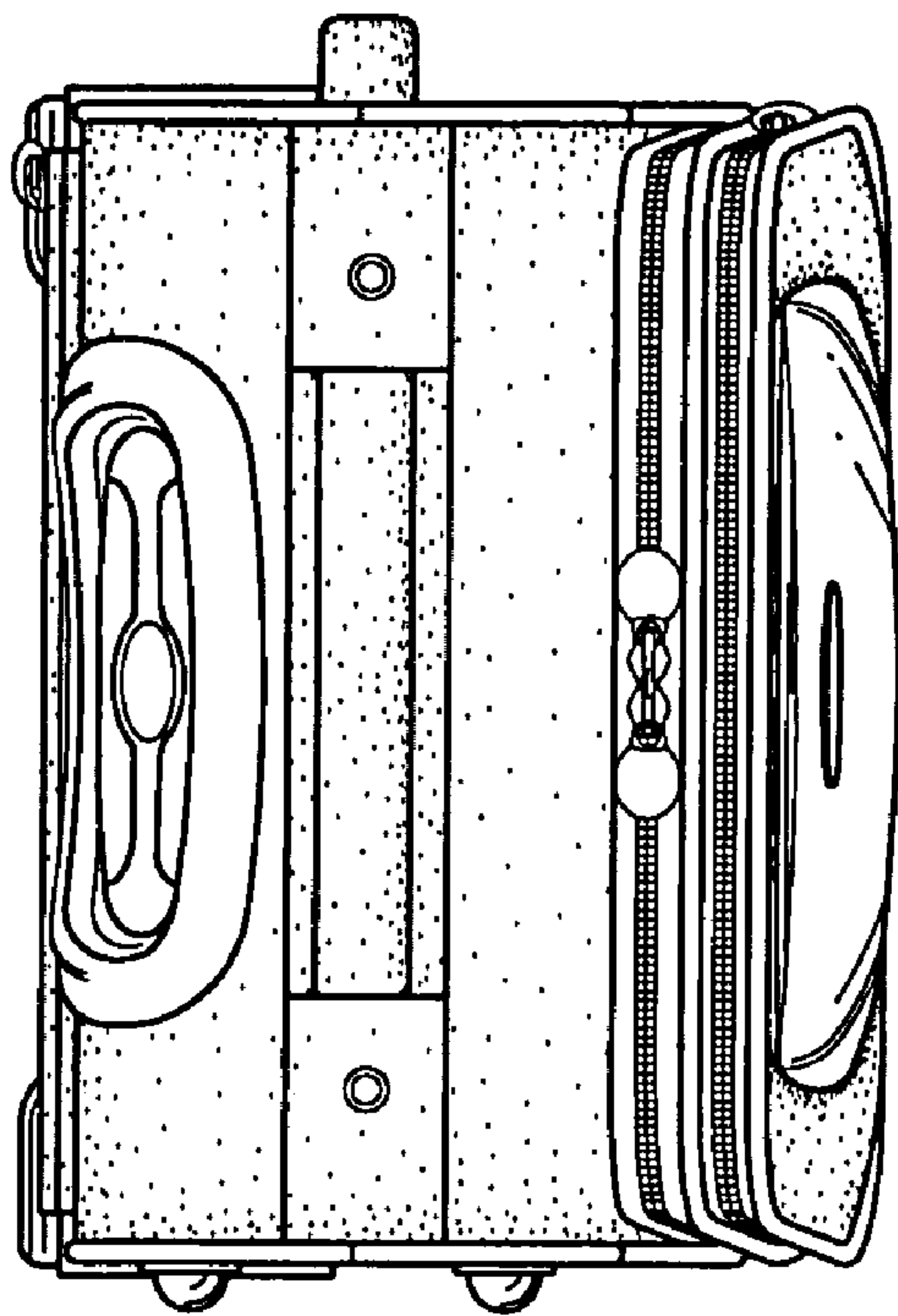


FIG. 6