



US00D554861S

(12) **United States Design Patent** (10) **Patent No.:** **US D554,861 S**
Udall et al. (45) **Date of Patent:** **** Nov. 13, 2007**

(54) **MOBILE STORAGE UNIT**
(75) Inventors: **Laura Elizabeth Udall**, San Jose, CA (US); **Nicholas V. Udall**, San Jose, CA (US)
(73) Assignee: **Zuca, Inc.**, Campbell, CA (US)
(**) Term: **14 Years**
(21) Appl. No.: **29/257,176**
(22) Filed: **Mar. 29, 2006**

Related U.S. Application Data

(63) Continuation-in-part of application No. 11/223,409, filed on Sep. 9, 2005, now Pat. No. 7,168,713, which is a continuation of application No. 10/123,753, filed on Apr. 17, 2002, now Pat. No. 7,207,577.
(51) **LOC (8) Cl.** **03-01**
(52) **U.S. Cl.** **D3/279; D3/283; D3/290**
(58) **Field of Classification Search** D3/263, D3/273, 276, 279, 283, 288-289, 902; 190/18 R, 190/18 A, 100, 103, 107-108, 109-115, 119, 190/112, 124-127, 903; 280/37-40, 47.17-47.19, 280/47.2, 47.371, 47.24, 47.26
See application file for complete search history.

4,350,366 A 9/1982 Helms 280/655
4,795,186 A 1/1989 Tyus 280/651
5,118,130 A 6/1992 Kaltz 280/154
5,244,225 A 9/1993 Frycek 280/304.1
D358,695 S 5/1995 Hudson et al. D34/26
5,462,299 A 10/1995 Maddux 280/47.35
D374,773 S * 10/1996 Domotor D3/279
5,762,170 A * 6/1998 Shyr et al. 190/109
5,833,250 A 11/1998 Schier et al. 280/47.19
5,988,657 A 11/1999 Henkel 280/47.25
6,024,194 A * 2/2000 Chung-Hsien 190/114
6,059,079 A * 5/2000 Krulik 190/112
6,345,830 B1 2/2002 Chavez 280/47.28
D456,973 S * 5/2002 Kimpel D34/24
6,454,065 B1 9/2002 Chen 190/18 A
6,520,514 B2 2/2003 Clegg 280/47.26
D489,507 S * 5/2004 Hahn D34/25
6,805,225 B2 * 10/2004 Freedman 190/112
6,880,851 B1 4/2005 Summers et al. 280/652
6,955,365 B2 * 10/2005 Giampavolo et al. 280/47.26
7,219,902 B1 * 5/2007 Herold 280/47.26
2005/0098403 A1 * 5/2005 McIntyre 190/110
2005/0121275 A1 * 6/2005 Platte, III 190/103
* cited by examiner

Primary Examiner—Philip S. Hyder
Assistant Examiner—RoseLynne (Ulm) Cody
(74) *Attorney, Agent, or Firm*—Haverstock & Owens LLP

(56) **References Cited**

U.S. PATENT DOCUMENTS

D131,210 S * 1/1942 Moreing D34/24
2,374,278 A * 4/1945 Fuerstenberg 280/47.26
2,439,992 A * 4/1948 Simonian 280/37
2,835,503 A 5/1958 Humphries et al. 280/47.19
2,842,373 A 7/1958 Duerr 280/47.19
2,905,480 A 9/1959 Giovannelli 280/34
3,460,850 A 8/1969 Franklin 280/47.2
D222,933 S 2/1972 Brown D14/3
3,669,463 A 6/1972 Boudreau 280/47.37
3,677,571 A 7/1972 Maturo, Jr. et al. 280/36 R
3,684,307 A 8/1972 Bourgraf et al. 280/36 C
3,759,538 A 9/1973 Fabiano 280/47.35
3,829,113 A 8/1974 Epelbaum 280/30
D252,264 S * 7/1979 Paterson D34/25
4,165,088 A 8/1979 Nelson 208/47.35
4,247,130 A 1/1981 Paterson 280/654

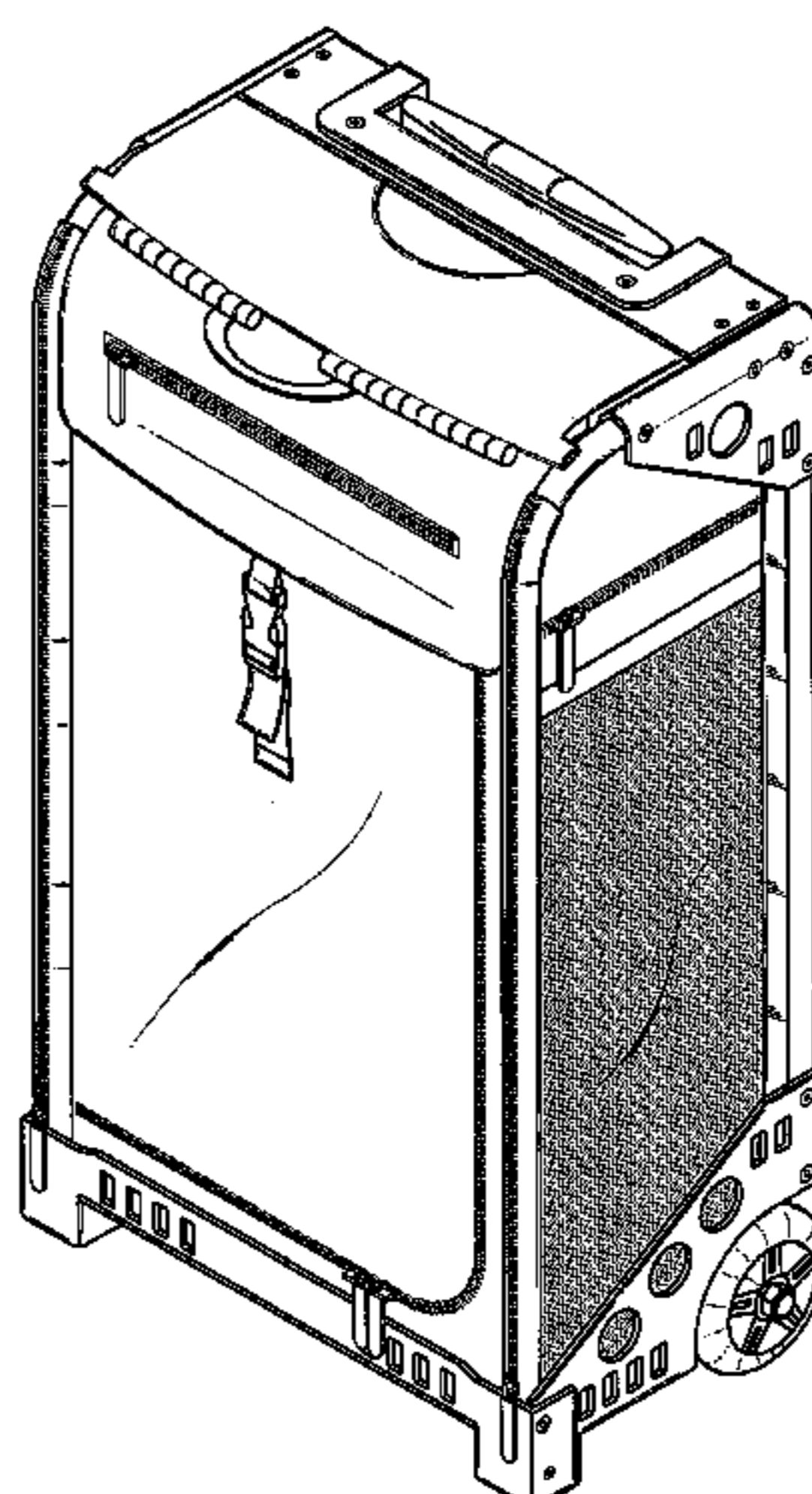
(57) **CLAIM**

I claim the ornamental design for the mobile storage unit, shown and described.

DESCRIPTION

FIG. 1 is a perspective view of the mobile storage unit showing my new design;
FIG. 2 is a front plan view thereof;
FIG. 3 is a rear plan view thereof;
FIG. 4 is a top plan view thereof;
FIG. 5 is a bottom plan view thereof;
FIG. 6 is right side plan view thereof; and,
FIG. 7 is left side plan view thereof.

1 Claim, 6 Drawing Sheets



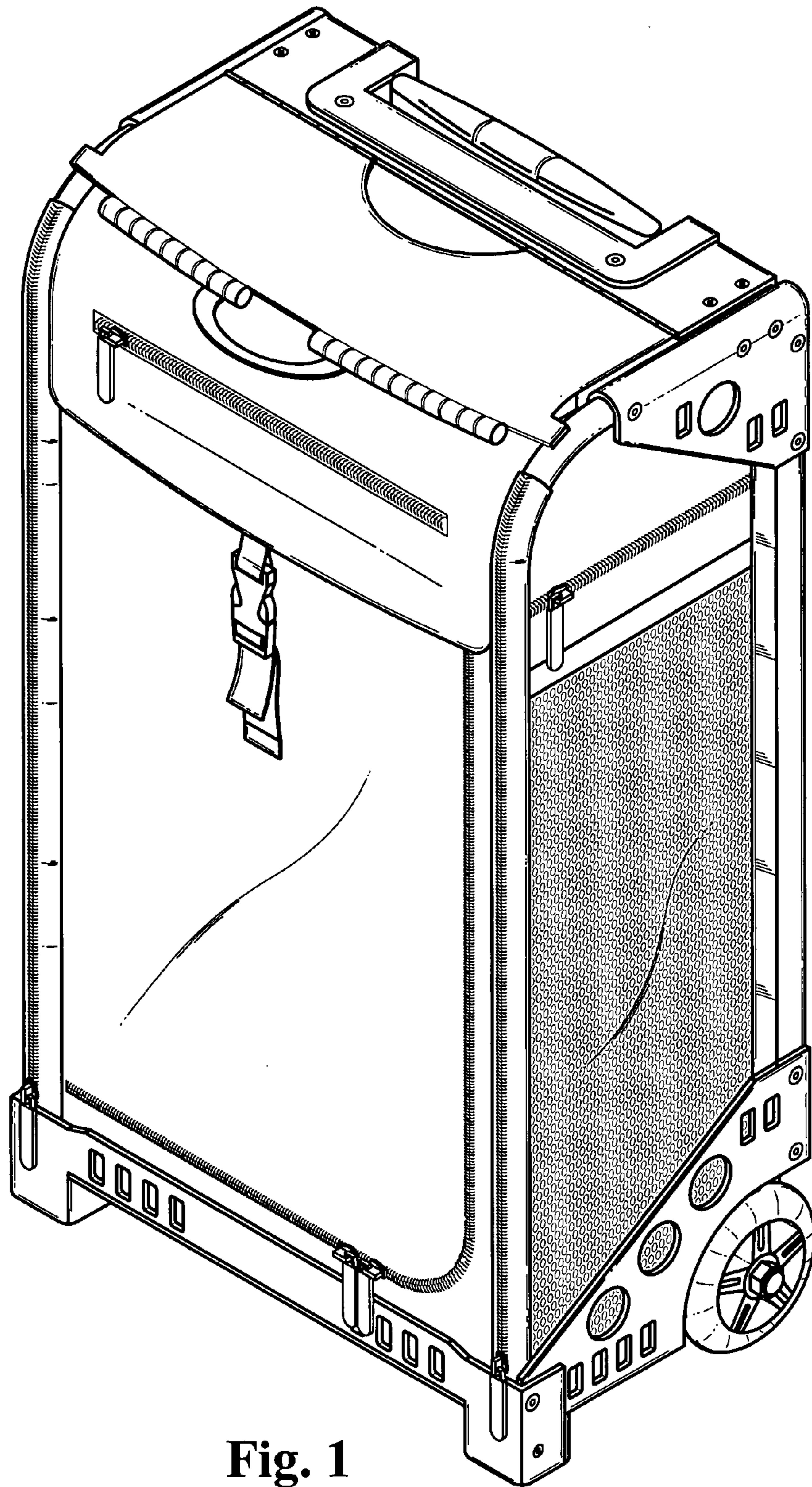


Fig. 1

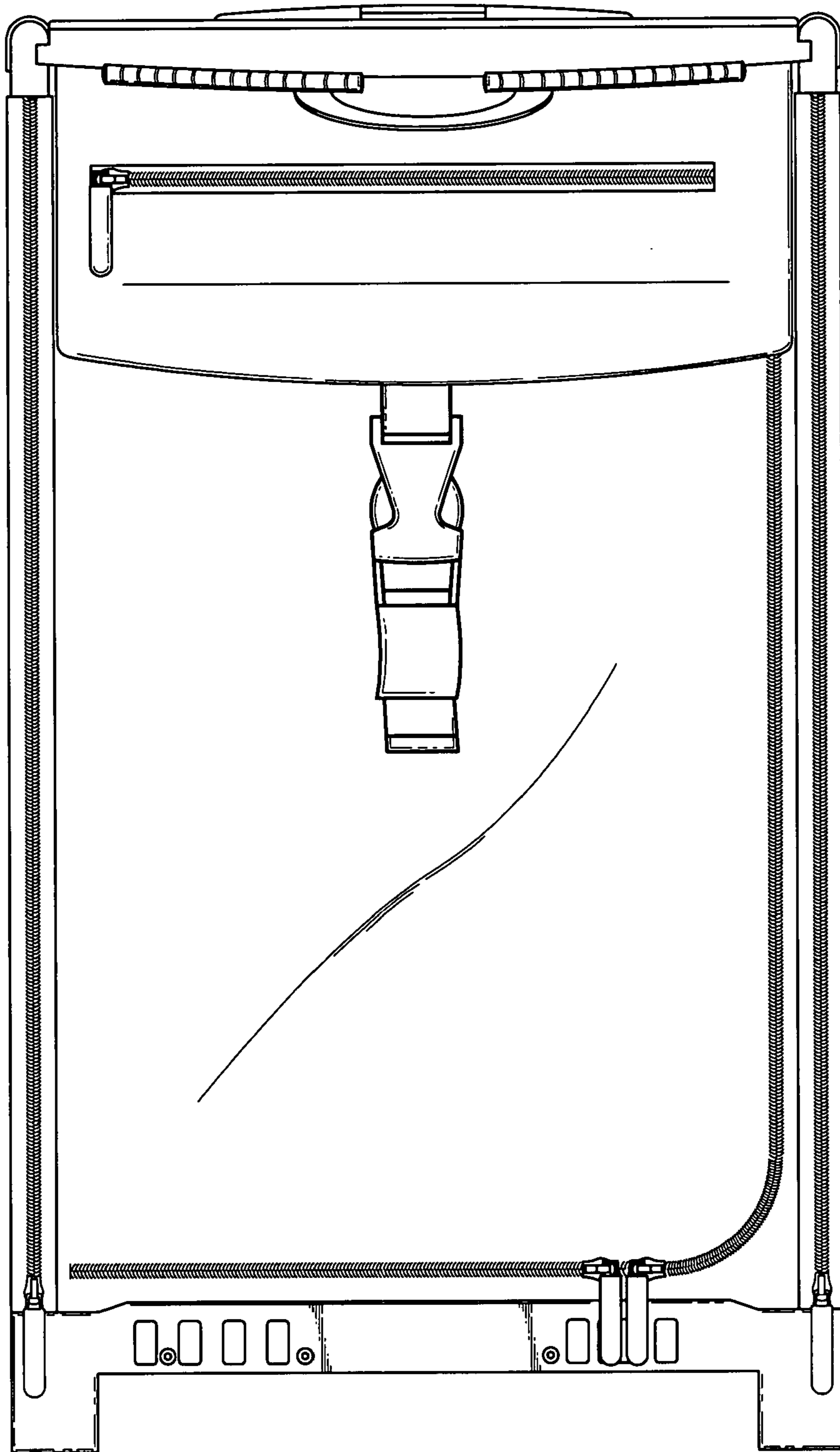


Fig. 2

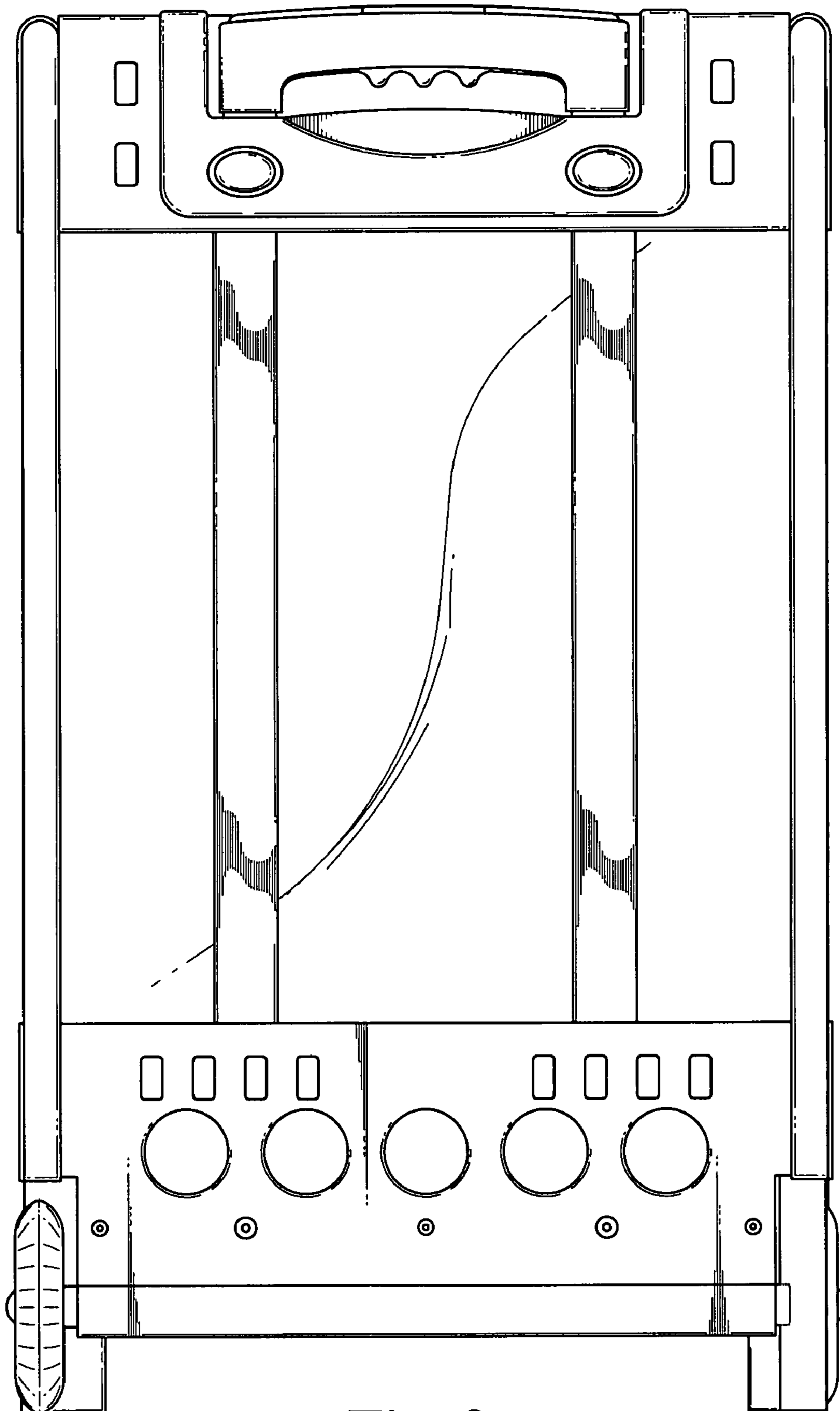


Fig. 3

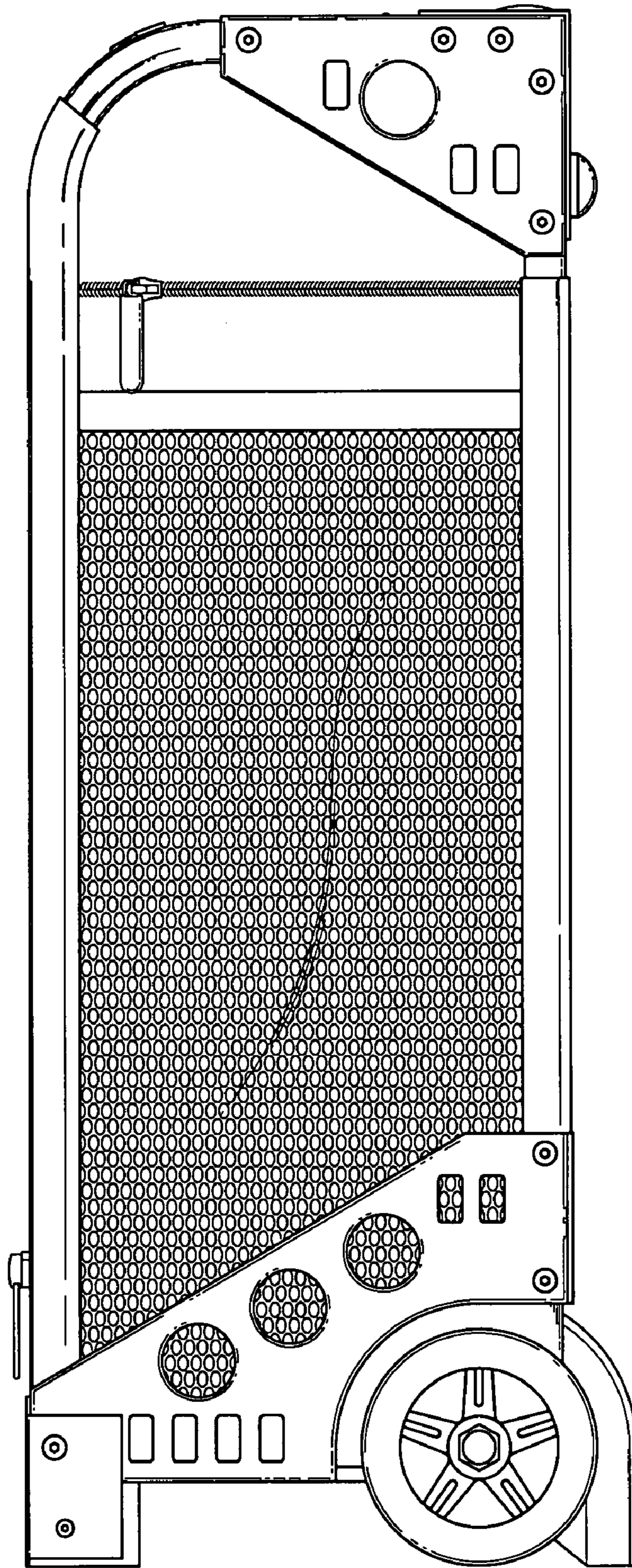


Fig. 4

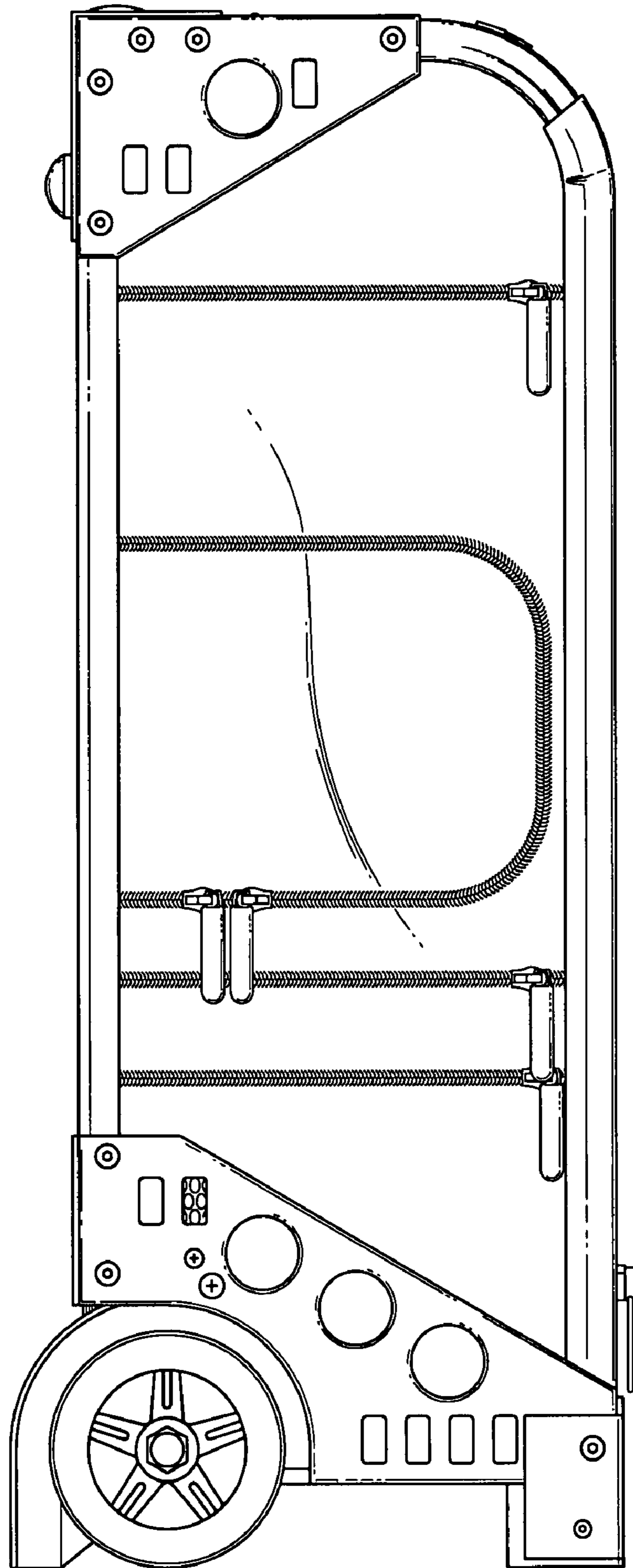


Fig. 5

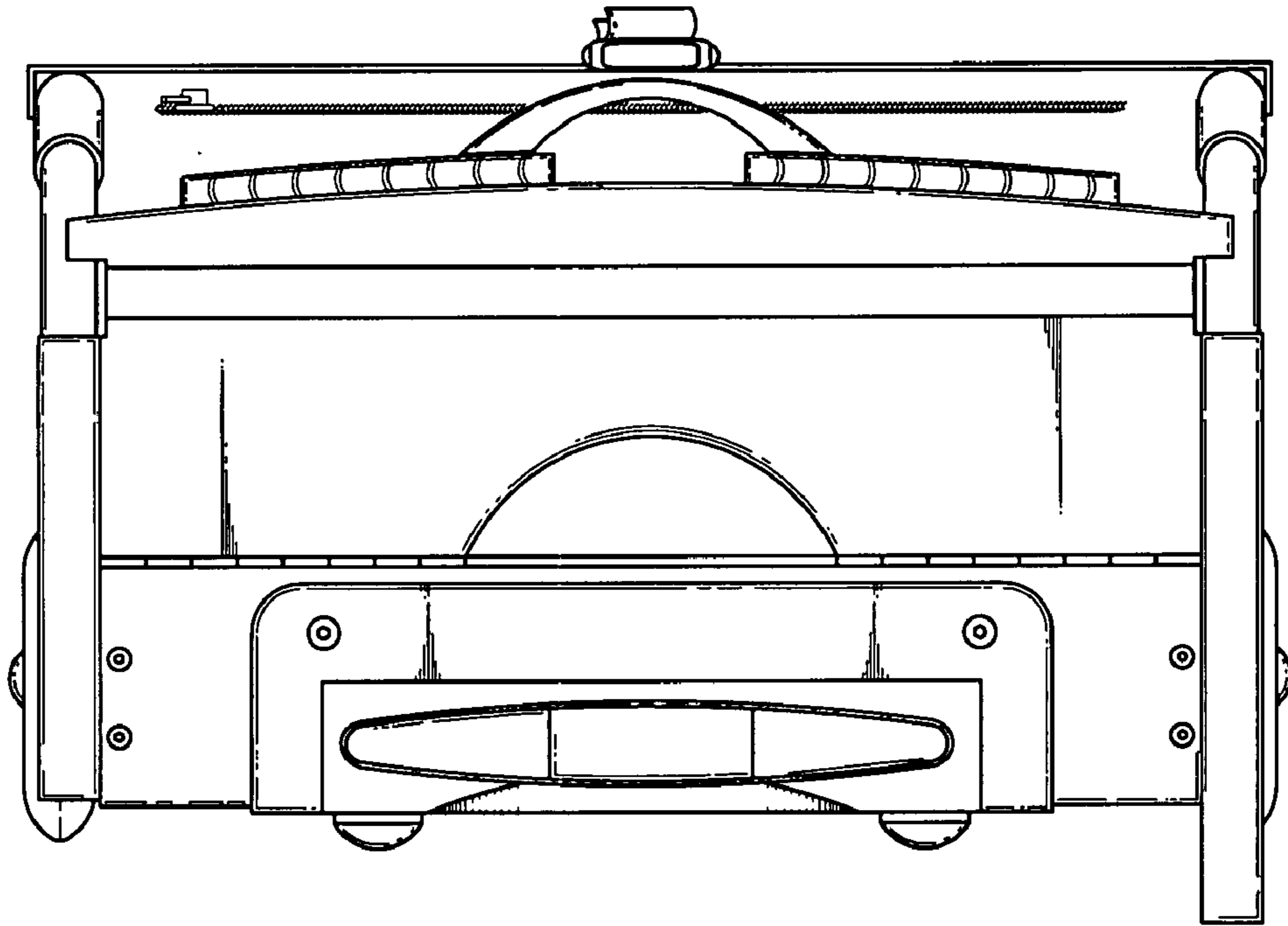


Fig. 6

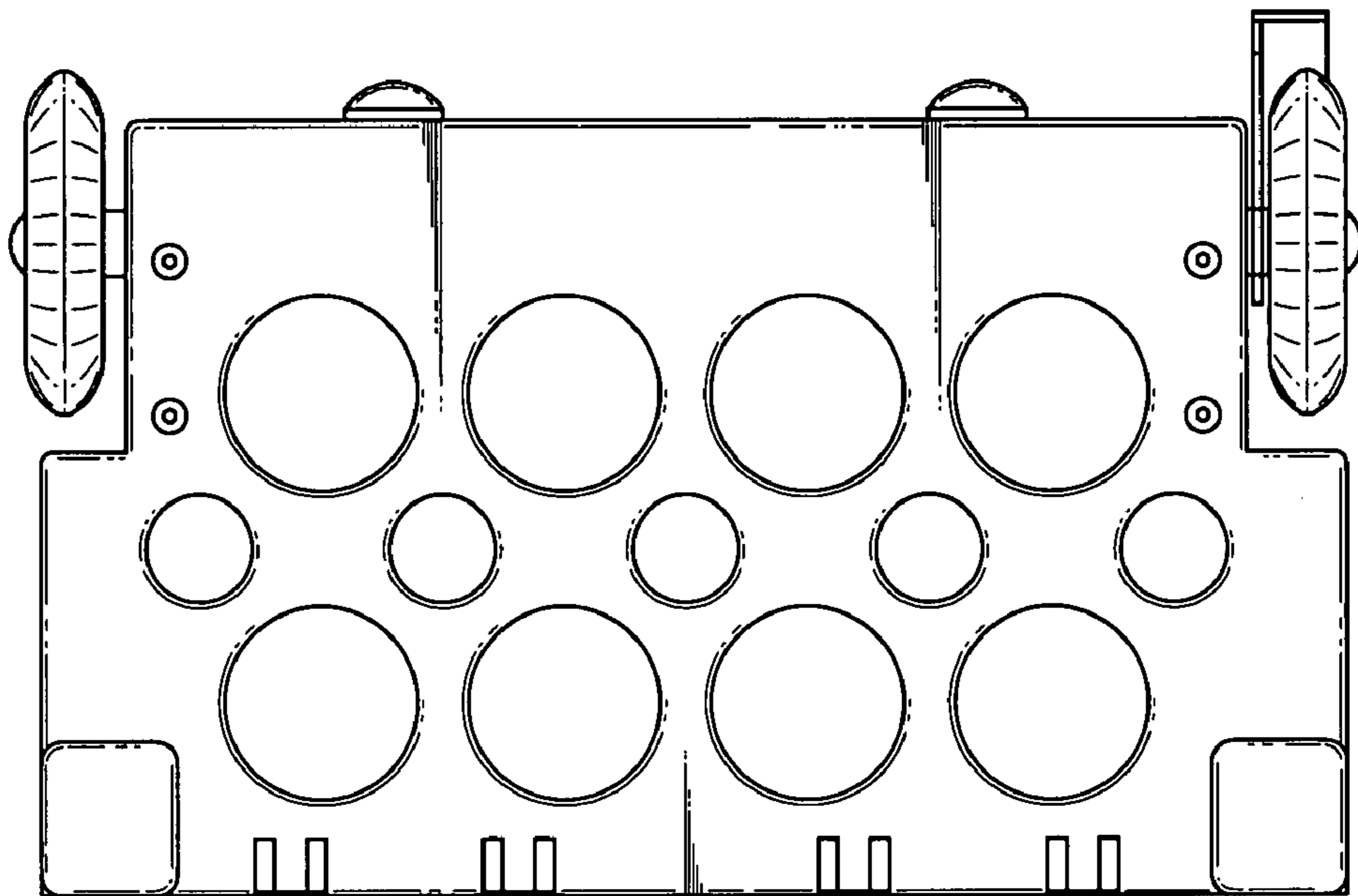


Fig. 7