



US00D554860S

(12) **United States Design Patent**
Udall et al.

(10) **Patent No.:** **US D554,860 S**

(45) **Date of Patent:** **** Nov. 13, 2007**

(54) **MOBILE STORAGE UNIT**

(75) Inventors: **Laura Elizabeth Udall**, San Jose, CA
(US); **Nicholas V. Udall**, San Jose, CA
(US)

(73) Assignee: **Zuca, Inc.**, Campbell, CA (US)

(**) Term: **14 Years**

(21) Appl. No.: **29/257,172**

(22) Filed: **Mar. 29, 2006**

Related U.S. Application Data

(63) Continuation-in-part of application No. 11/223,409,
filed on Sep. 9, 2005, now Pat. No. 7,168,713, which
is a continuation of application No. 10/123,753, filed
on Apr. 17, 2002, now Pat. No. 7,207,577.

(51) **LOC (8) Cl.** **03-01**

(52) **U.S. Cl.** **D3/279; D3/283; D3/290**

(58) **Field of Classification Search** D3/263,
D3/273, 276, 279, 283, 288-289, 902; 190/18 R,
190/18 A, 100, 103, 107-108, 109-115, 119,
190/122, 124-127, 903; 280/37-40, 47.17-47.19,
280/47.2, 47.371, 47.24, 47.26

See application file for complete search history.

(56) **References Cited**

U.S. PATENT DOCUMENTS

D131,210 S *	1/1942	Moreing	D34/24
2,374,278 A *	4/1945	Fuerstenberg	280/47.26
2,439,992 A *	4/1948	Simonian	280/37
2,835,503 A	5/1958	Humphries et al.	280/47.19
2,842,373 A	7/1958	Duerr	280/47.19
2,905,480 A	9/1959	Giovannelli	280/34
3,460,850 A	8/1969	Franklin	280/47.2
D222,933 S	2/1972	Brown	D14/3
3,669,463 A	6/1972	Boudreau	280/47.37
3,677,571 A	7/1972	Maturo, Jr. et al.	280/36 R
3,684,307 A	8/1972	Bourgraf et al.	280/36 C
3,759,538 A	9/1973	Fabiano	280/47.35
3,829,113 A	8/1974	Epelbaum	280/30

D252,264 S *	7/1979	Paterson	D34/25
4,165,088 A	8/1979	Nelson	280/47.35
4,247,130 A	1/1981	Paterson	280/654
4,350,366 A	9/1982	Helms	280/655
4,795,186 A	1/1989	Tyus	280/651
5,118,130 A	6/1992	Kaltz	280/154
5,244,225 A	9/1993	Frycek	280/304.1
D358,695 S	5/1995	Hudson et al.	D34/26
5,462,299 A	10/1995	Maddux	280/47.35
D374,773 S *	10/1996	Domotor	D3/279
5,762,170 A *	6/1998	Shyr et al.	190/109
5,833,250 A	11/1998	Schier et al.	280/47.19
5,988,657 A	11/1999	Henkel	280/47.25
6,024,194 A *	2/2000	Chung-Hsien	190/114
6,059,079 A *	5/2000	Krulik	190/112

(Continued)

OTHER PUBLICATIONS

Zuca, shown “. . . for PLAY!” and “. . . for SCHOOL!” with
additional side and back detail views. Downloaded May 25, 2007 at
www.zuca.com/..., undated.*

Primary Examiner—Philip S. Hyder

Assistant Examiner—RoseLynne H. (Ulm) Cody

(74) *Attorney, Agent, or Firm*—Haverstock & Owens LLP

(57)

CLAIM

I claim the ornamental design for the mobile storage unit,
shown and described.

DESCRIPTION

FIG. 1 is a perspective view of the mobile storage unit
showing my new design;

FIG. 2 is a front plan view thereof;

FIG. 3 is a rear plan view thereof;

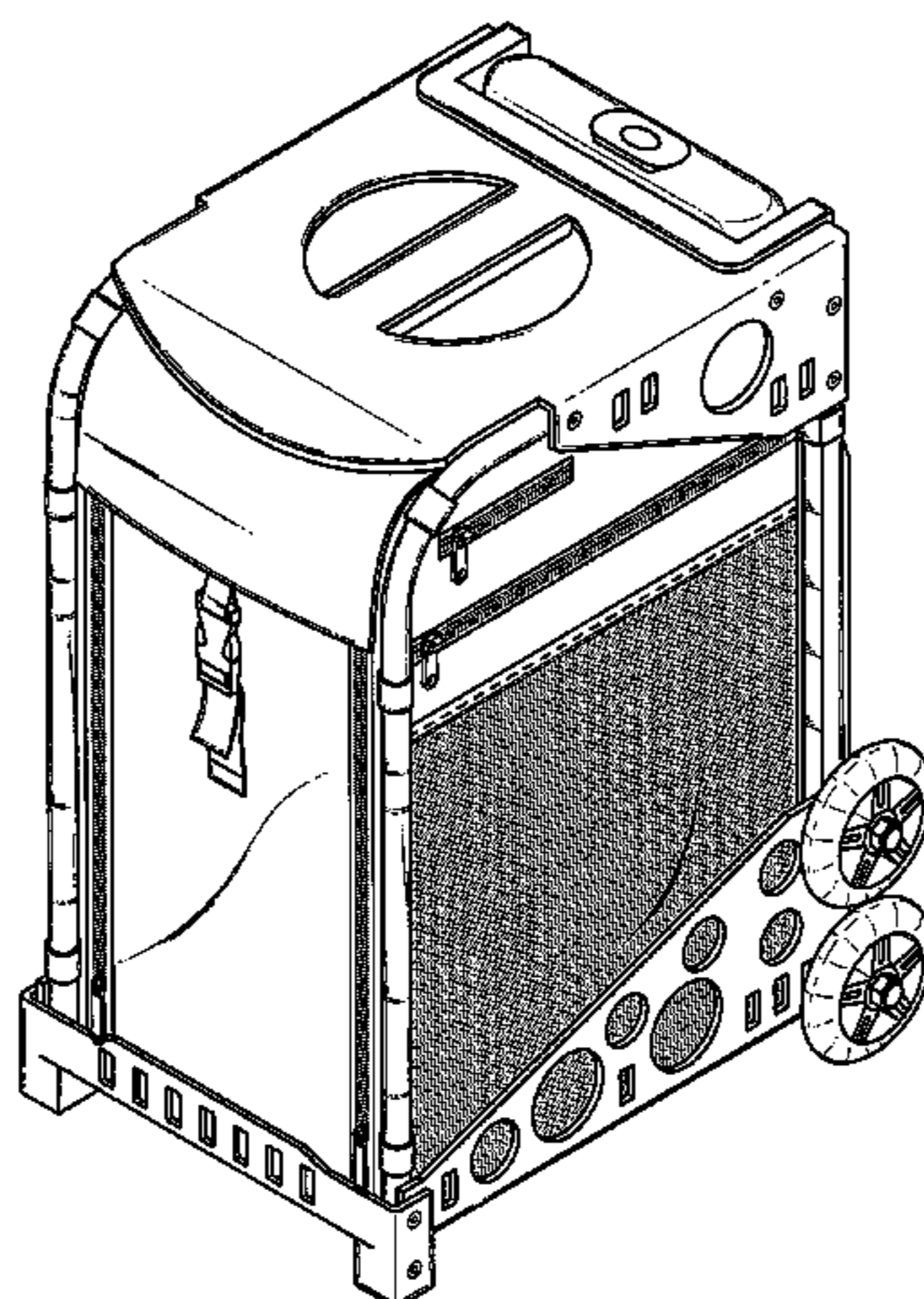
FIG. 4 is a top plan view thereof;

FIG. 5 is a bottom plan view thereof;

FIG. 6 is right side plan view thereof; and,

FIG. 7 is left side plan view thereof.

1 Claim, 7 Drawing Sheets



US D554,860 S

Page 2

U.S. PATENT DOCUMENTS

6,345,830	B1	2/2002	Chavez	280/47.28	6,880,851	B1	4/2005	Summers et al.	280/652
D456,973	S *	5/2002	Kimpel	D34/24	6,955,365	B2 *	10/2005	Giampavolo et al.	280/47.26
6,454,065	B1	9/2002	Chen	190/18 A	7,219,902	B1 *	5/2007	Herold	280/47.26
6,520,514	B2	2/2003	Clegg	280/47.26	2005/0098403	A1 *	5/2005	McIntyre	190/110
D489,507	S *	5/2004	Hahn	D34/25	2005/0121275	A1 *	6/2005	Platte	190/103
6,805,225	B2 *	10/2004	Freedman	190/112						

* cited by examiner

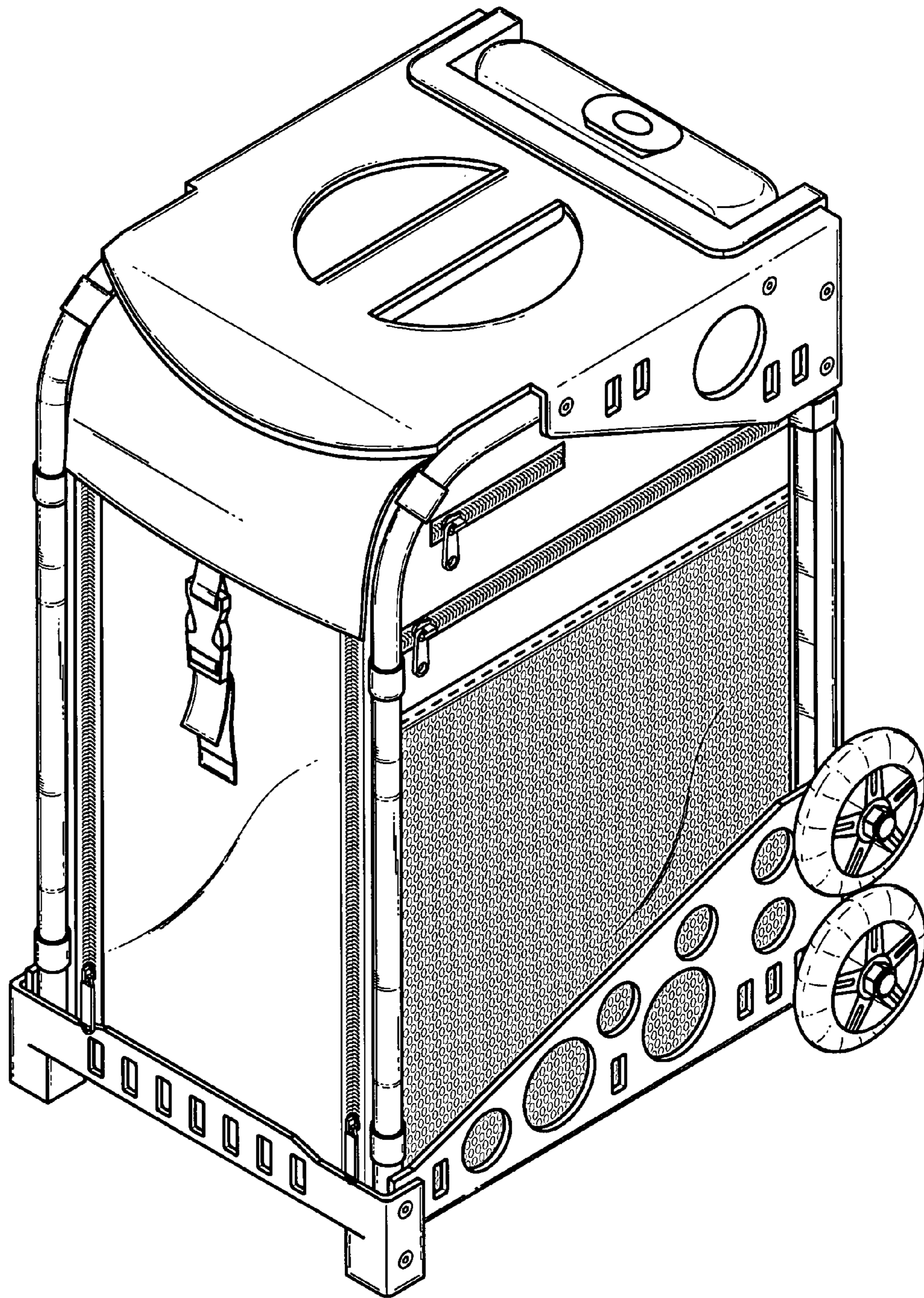


Fig. 1

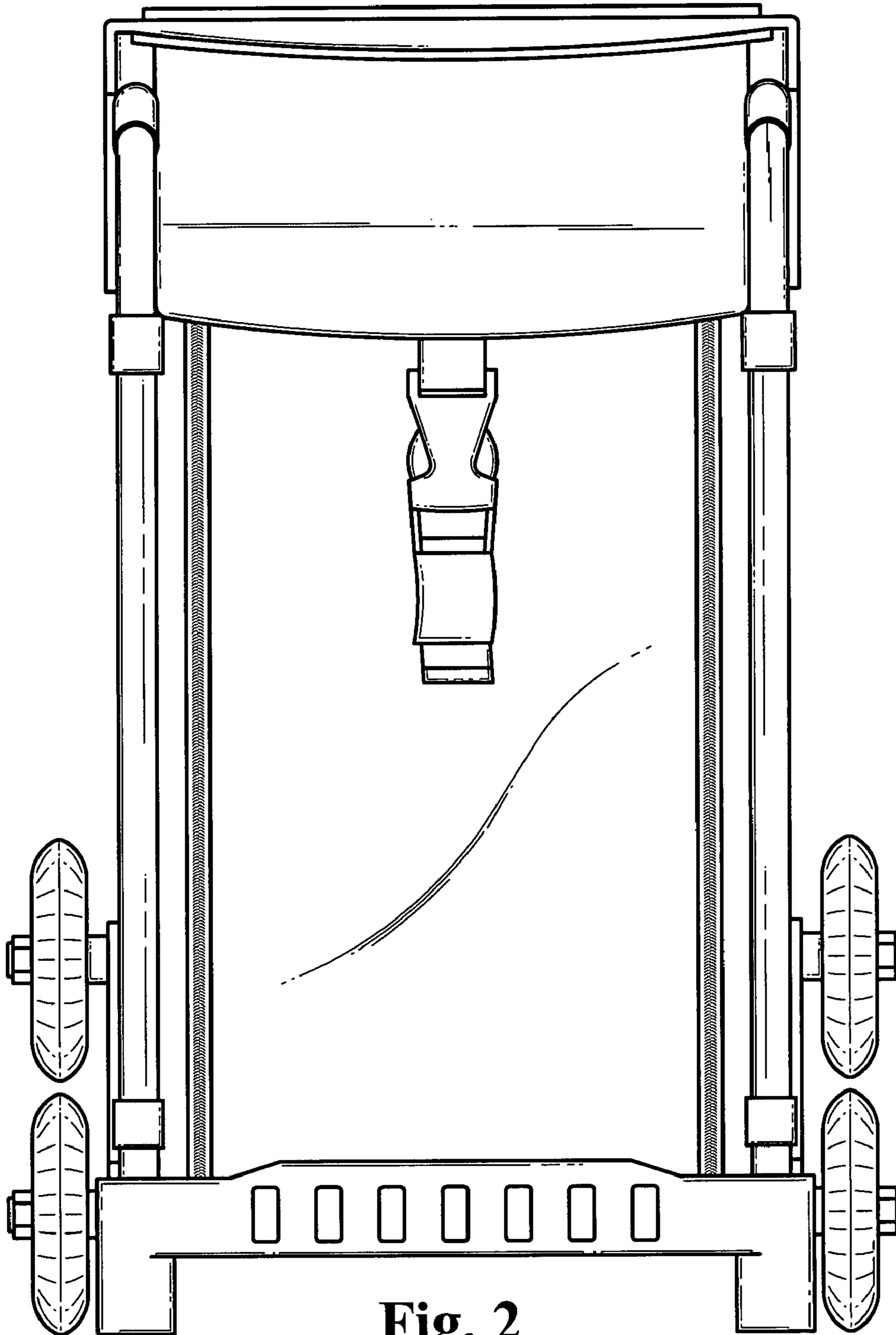


Fig. 2

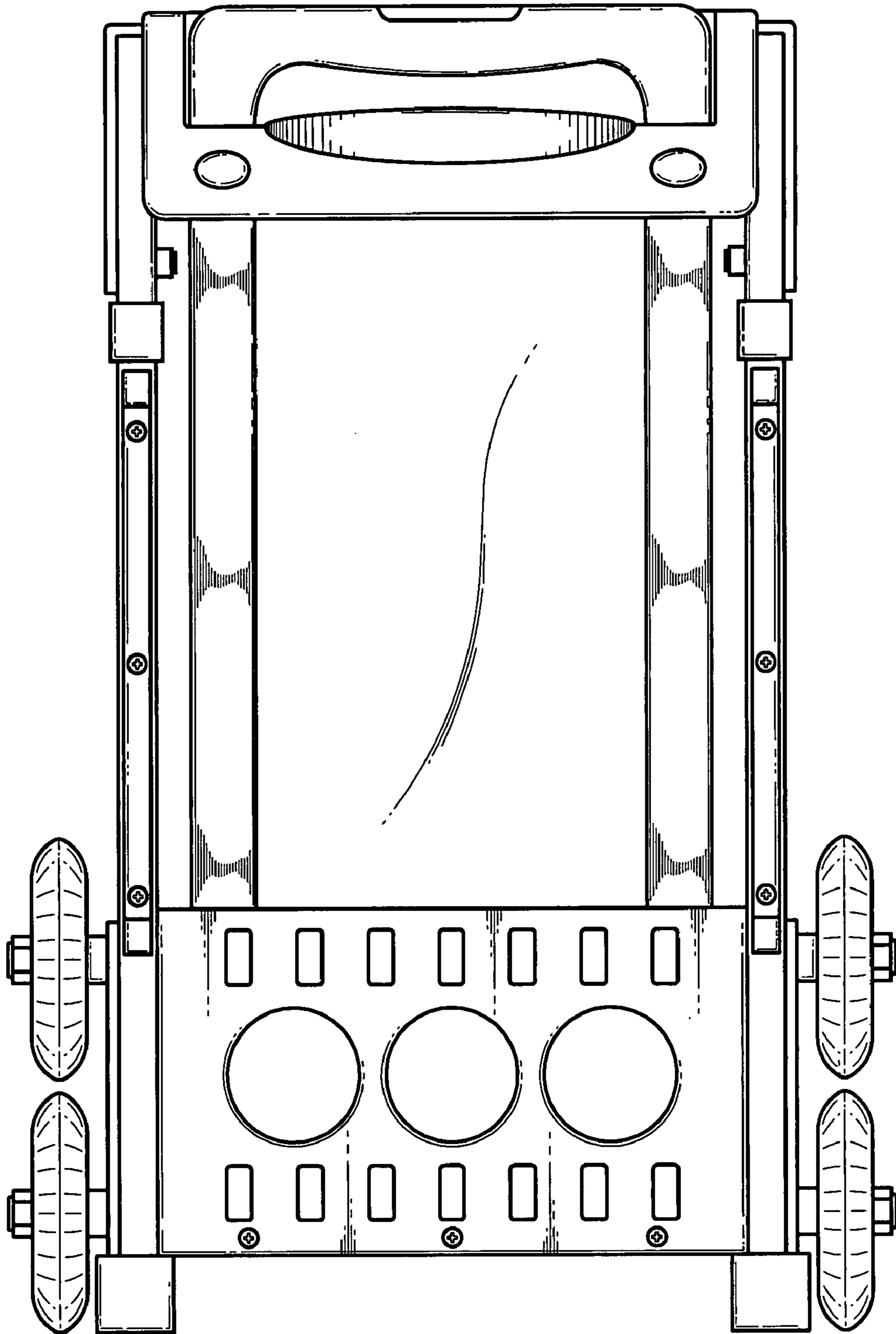


Fig. 3

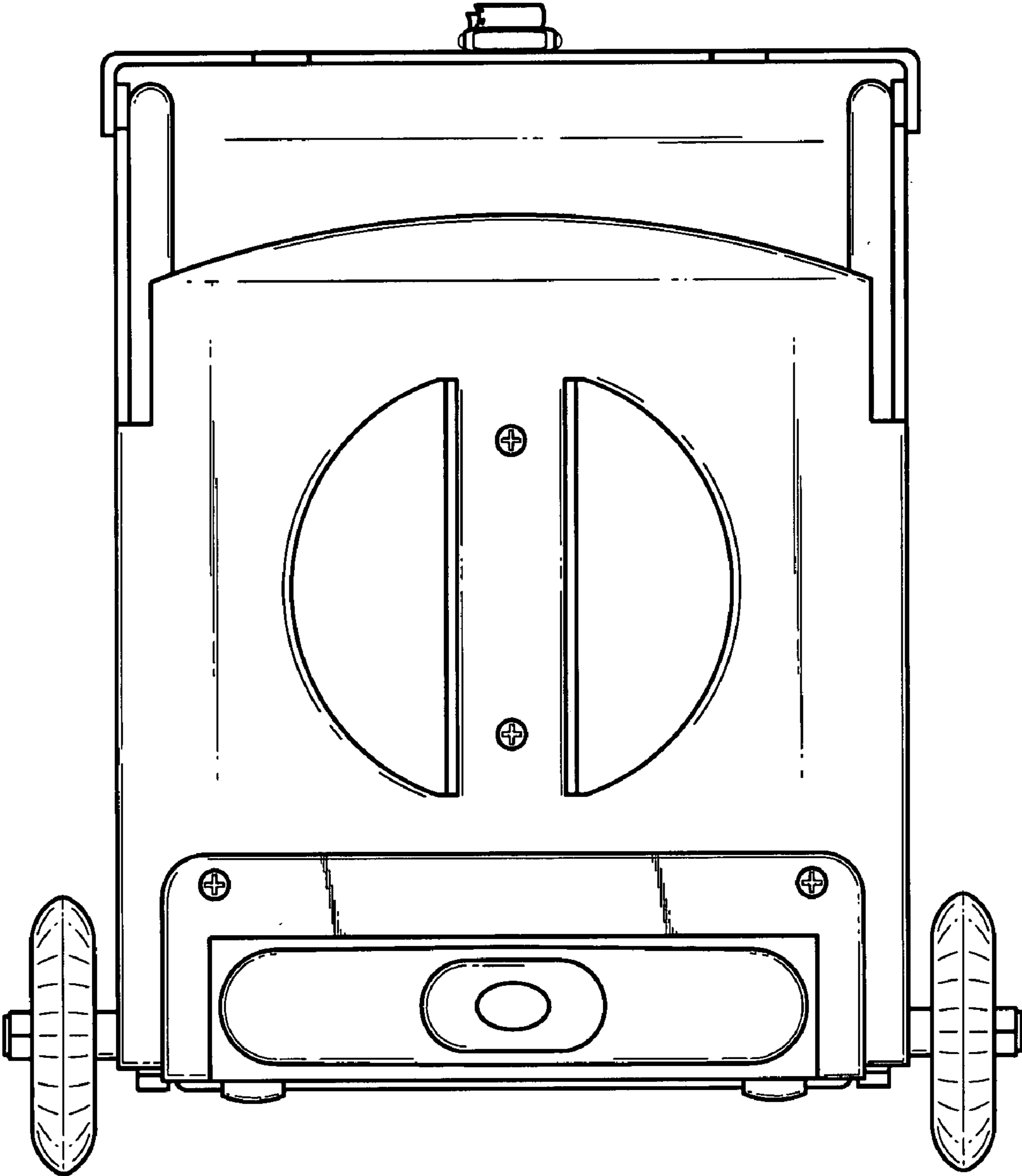


Fig. 4

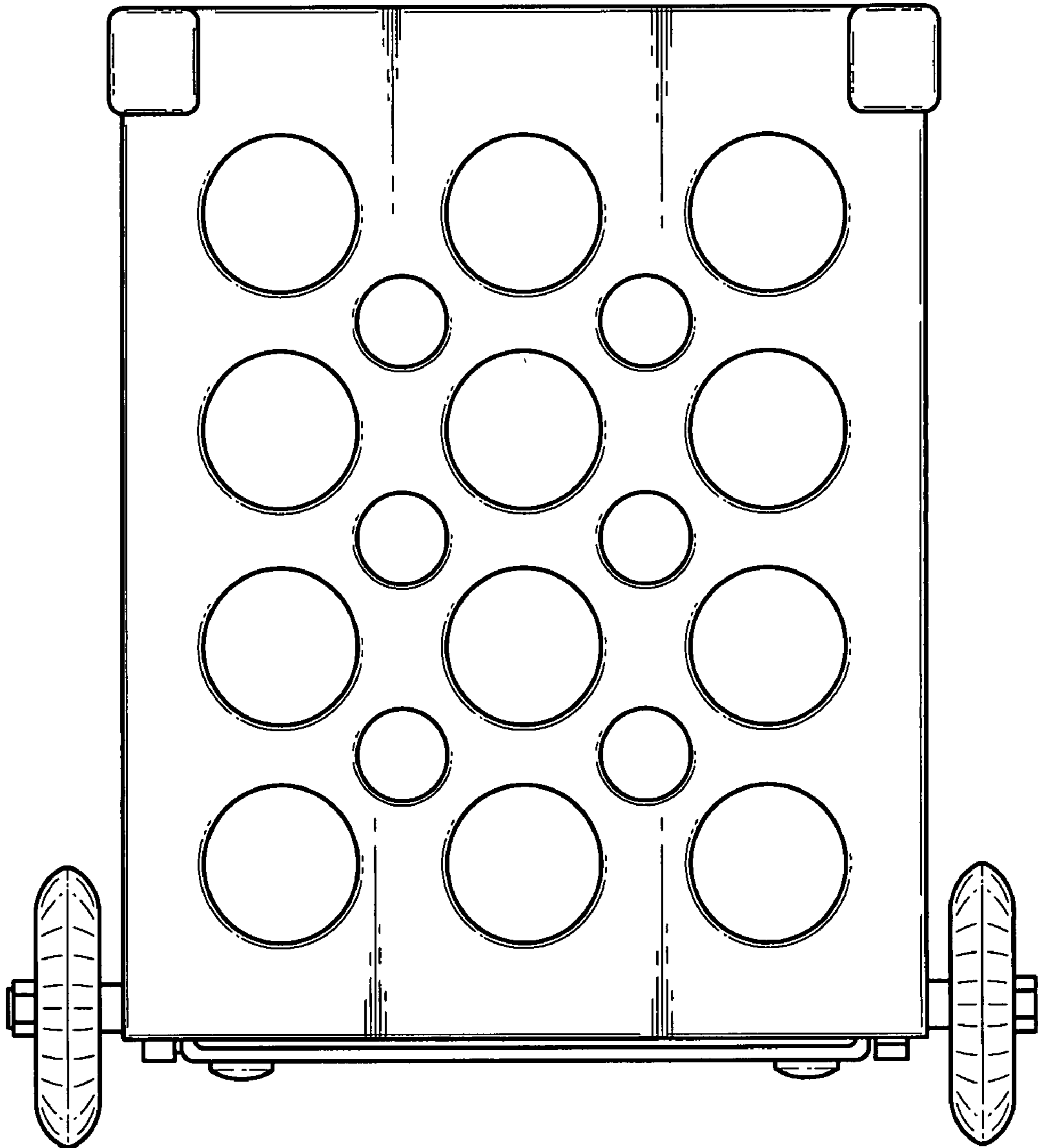


Fig. 5

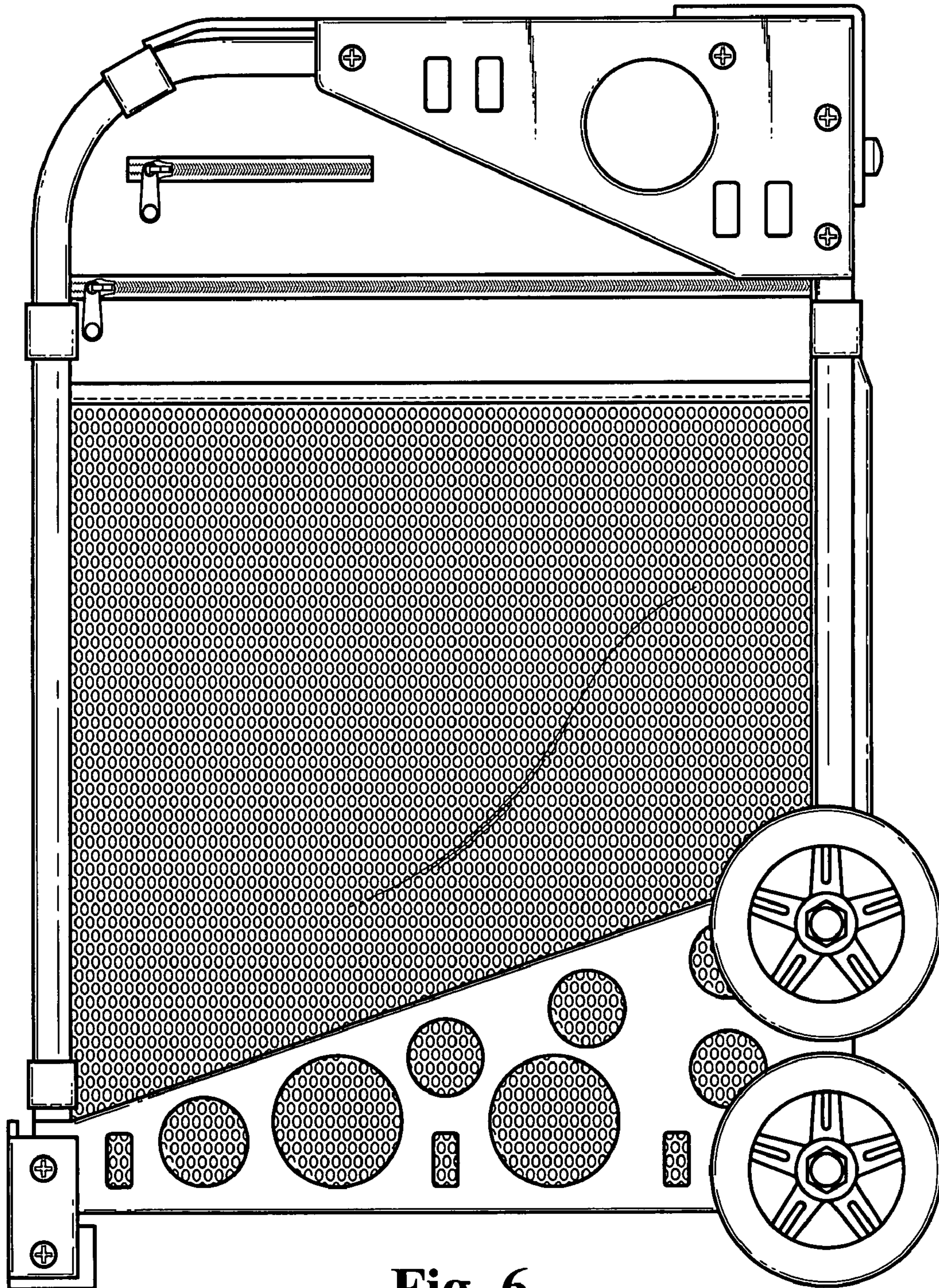


Fig. 6

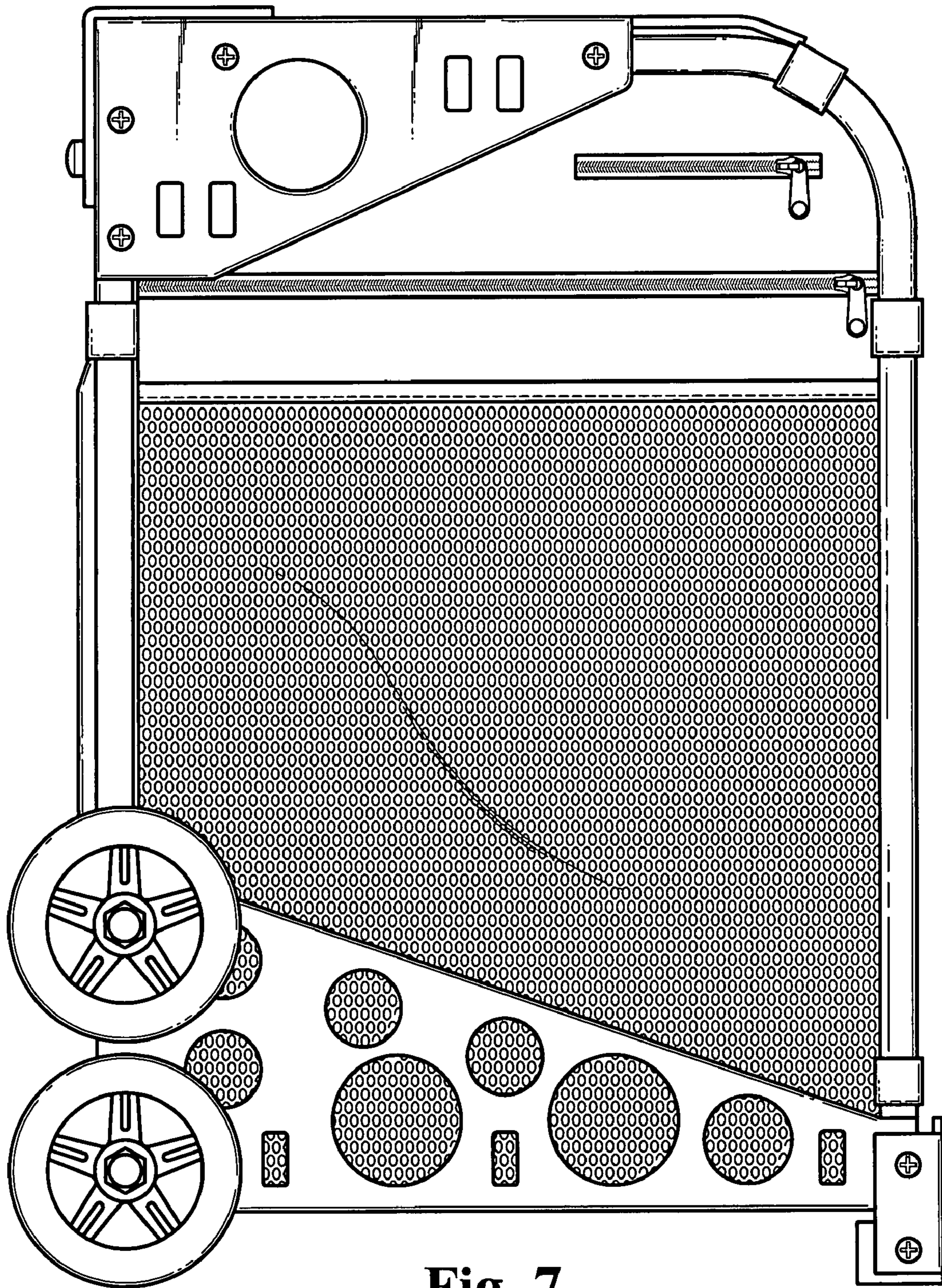


Fig. 7