



US00D554859S

(12) **United States Design Patent**
Sides et al.

(10) **Patent No.:** **US D554,859 S**

(45) **Date of Patent:** **** Nov. 13, 2007**

(54) **CASE**

(75) Inventors: **Christopher S. Sides**, Southlake, TX
(US); **Nathan Tierney**, Dallas, TX
(US); **Justin Pendleton**, Carrollton, TX
(US)

(73) Assignee: **Doskocil Manufacturing, Company, Inc.**, Arlington, TX (US)

(**) Term: **14 Years**

(21) Appl. No.: **29/241,035**

(22) Filed: **Oct. 21, 2005**

(51) **LOC (8) Cl.** **03-01**

(52) **U.S. Cl.** **D3/273; D3/301; D3/904**

(58) **Field of Classification Search** D3/205,
D3/254, 260, 262, 273-274, 289, 294, 904,
D3/905; D28/78, 83; 206/3, 6.1, 317; 220/4.21-4.23
See application file for complete search history.

(56) **References Cited**

U.S. PATENT DOCUMENTS

D106,777 S *	11/1937	Voigt et al.	D3/294
D220,233 S *	3/1971	Schurman	D3/294
D306,234 S *	2/1990	Ferstl	D19/75
D332,328 S *	1/1993	Lombardi, Jr.	D28/83
D335,765 S	5/1993	VanSkiver	

D353,048 S	12/1994	VanSkiver et al.	
5,662,219 A *	9/1997	Tschudy et al.	206/317
D429,070 S *	8/2000	Marshall	D3/294
D477,961 S *	8/2003	Tung	D6/632
D500,204 S *	12/2004	Hillman	D3/301
D528,790 S *	9/2006	Sides et al.	D3/262
D528,791 S *	9/2006	Sides et al.	D3/262

* cited by examiner

Primary Examiner—Philip S. Hyder

Assistant Examiner—R. L. (Ulm) Cody

(74) *Attorney, Agent, or Firm*—Locke Liddell & Sapp, LLP

(57) **CLAIM**

The ornamental design for a case, as shown and described.

DESCRIPTION

FIG. 1 is a front elevational view of a case, the rear elevational view being a mirror image thereof;

FIG. 2 is a top plan view thereof;

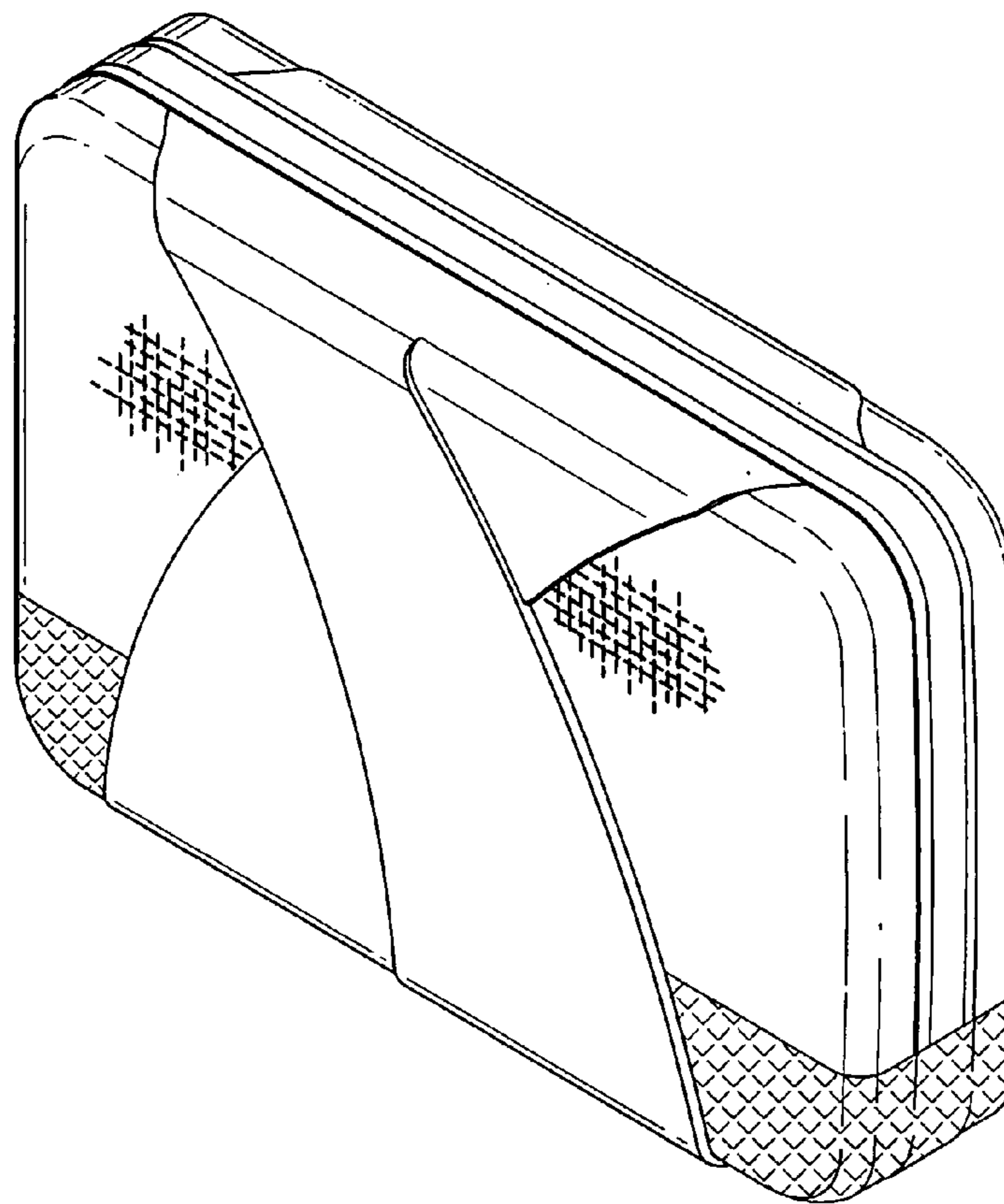
FIG. 3 is a left side elevational view thereof, the right side elevational view being a mirror image thereof;

FIG. 4 is a bottom plan view thereof;

FIG. 5 is a top perspective view thereof; and,

FIG. 6 is a bottom perspective view thereof.

1 Claim, 3 Drawing Sheets



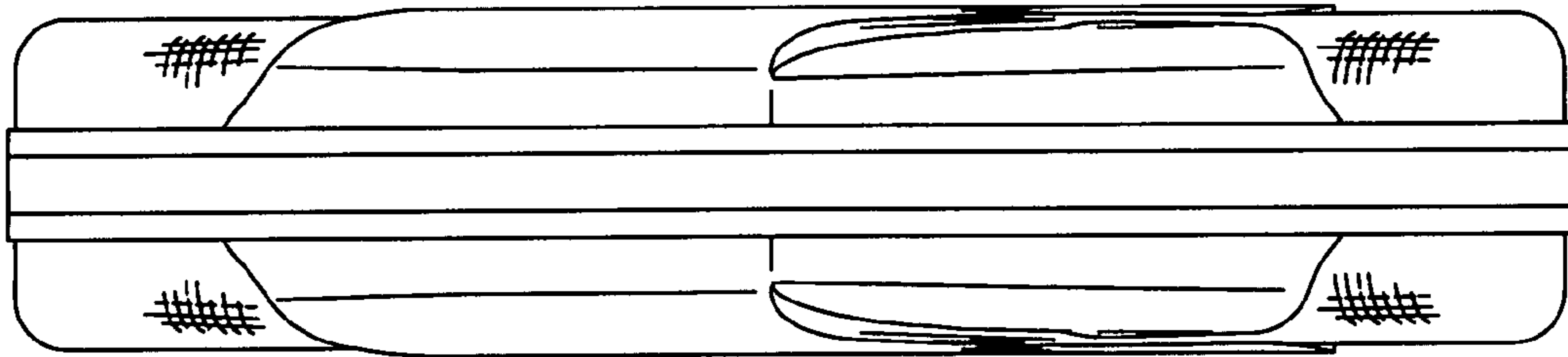


FIG. 2

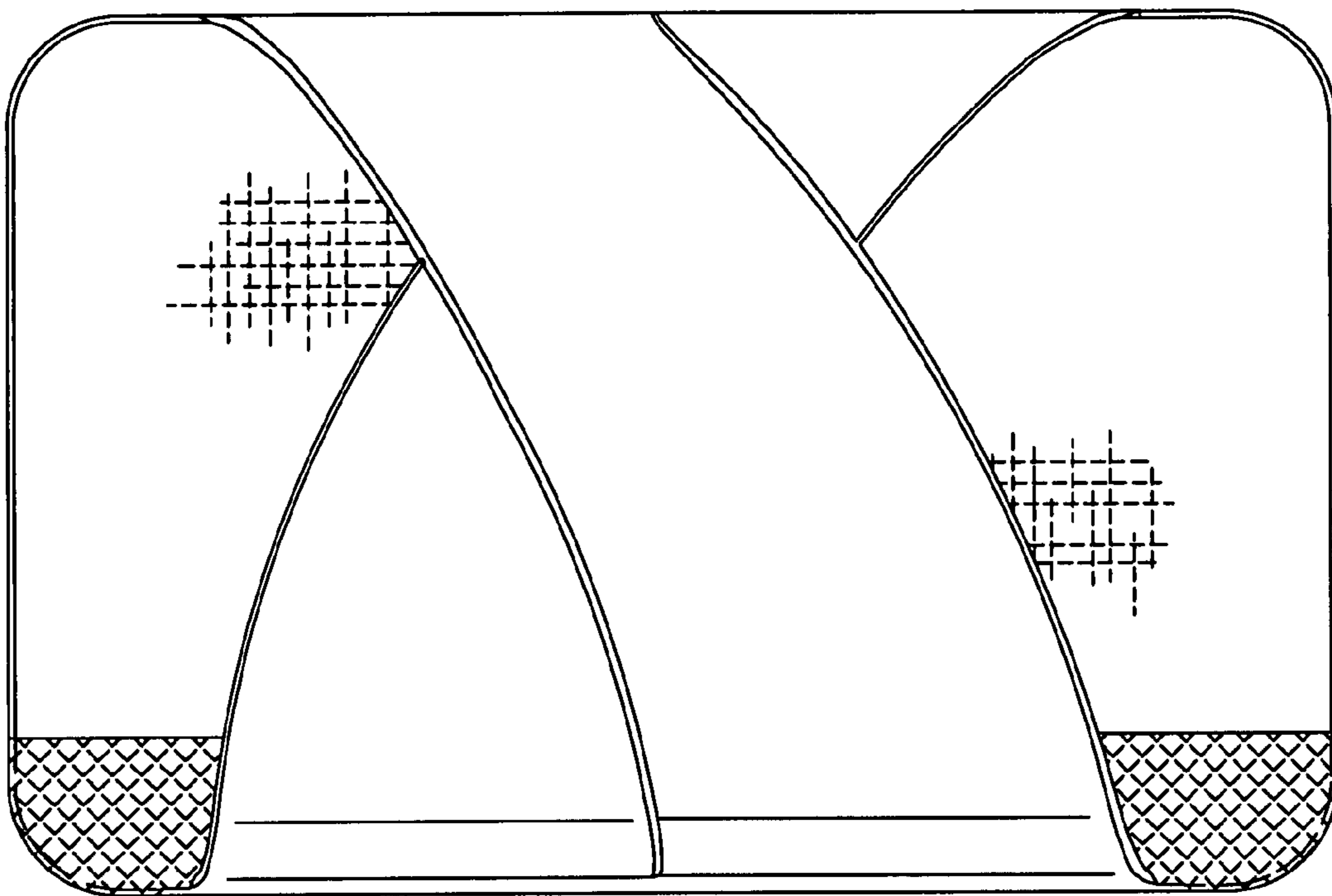


FIG. 1

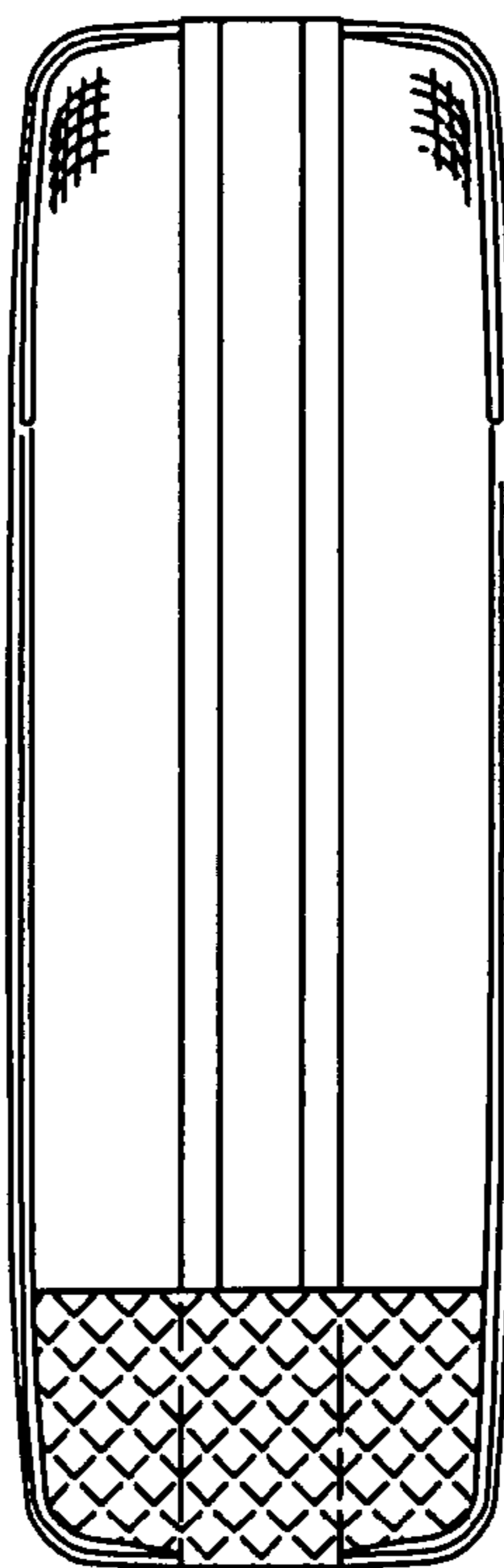


FIG. 3

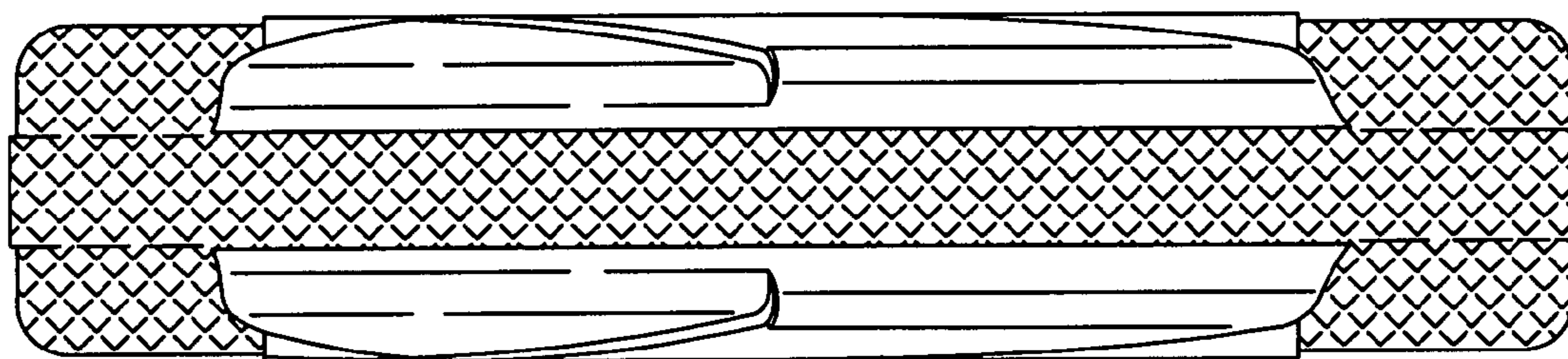


FIG. 4

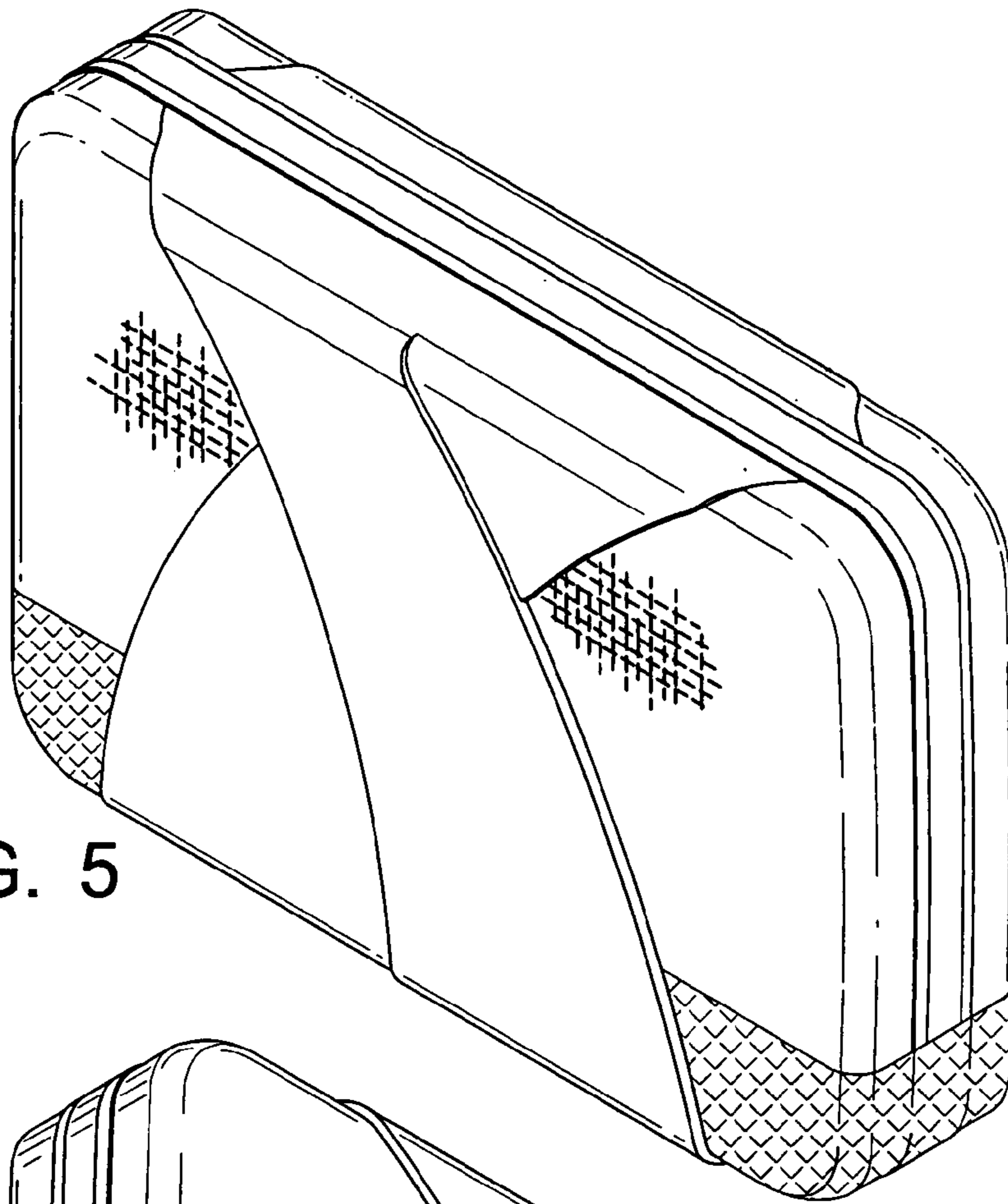


FIG. 5

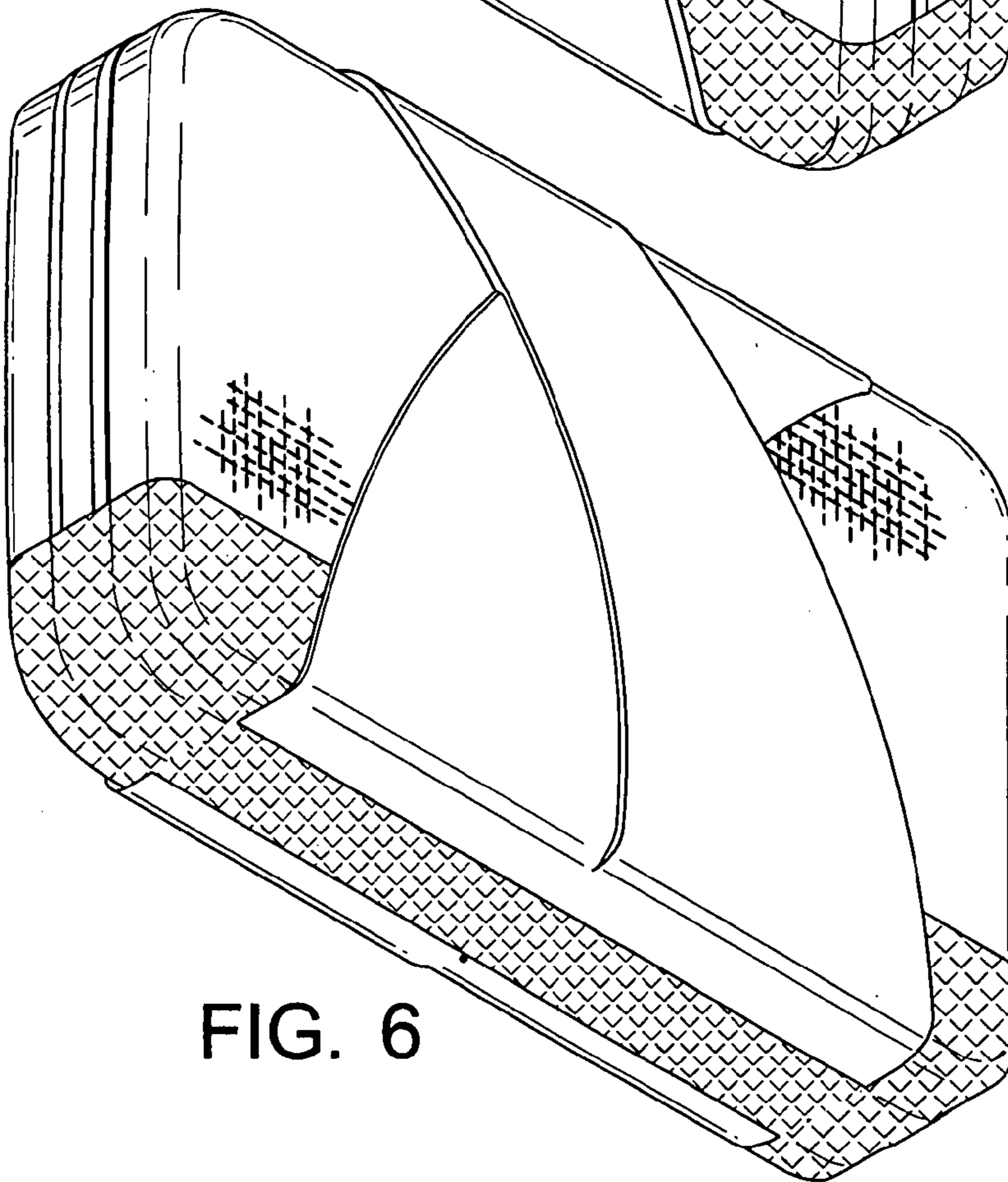


FIG. 6