



US00D554855S

(12) **United States Design Patent**  
**Kershaw**

(10) **Patent No.:** **US D554,855 S**

(45) **Date of Patent:** **\*\* Nov. 13, 2007**

(54) **BELTED BALL HOLDER**

(76) Inventor: **Thomas Kershaw**, 5626 Riverside Dr.,  
Cape Coral, FL (US) 33904

(\*\*) Term: **14 Years**

(21) Appl. No.: **29/259,298**

(22) Filed: **May 5, 2006**

(51) **LOC (8) Cl.** ..... **03-01**

(52) **U.S. Cl.** ..... **D3/221; D3/257**

(58) **Field of Classification Search** ..... **D3/221,**  
**D3/257; D6/552-553; D21/796; 206/315.9;**  
**211/14, 68, 106; 224/666, 919**

See application file for complete search history.

(56) **References Cited**

**U.S. PATENT DOCUMENTS**

D281,221 S 11/1985 Edmiston ..... D8/356  
D282,704 S 2/1986 Burnett ..... D6/566

5,232,101 A 8/1993 Shaftner et al. .... 211/14  
D392,826 S 3/1998 Paikos et al. .... D6/566  
D475,878 S \* 6/2003 Knable, III ..... D6/552  
6,601,711 B1 8/2003 Knable, III ..... 211/14  
D479,650 S \* 9/2003 Kan ..... D3/257  
D513,557 S \* 1/2006 Kalat ..... D3/221

\* cited by examiner

*Primary Examiner*—Catherine R. Oliver

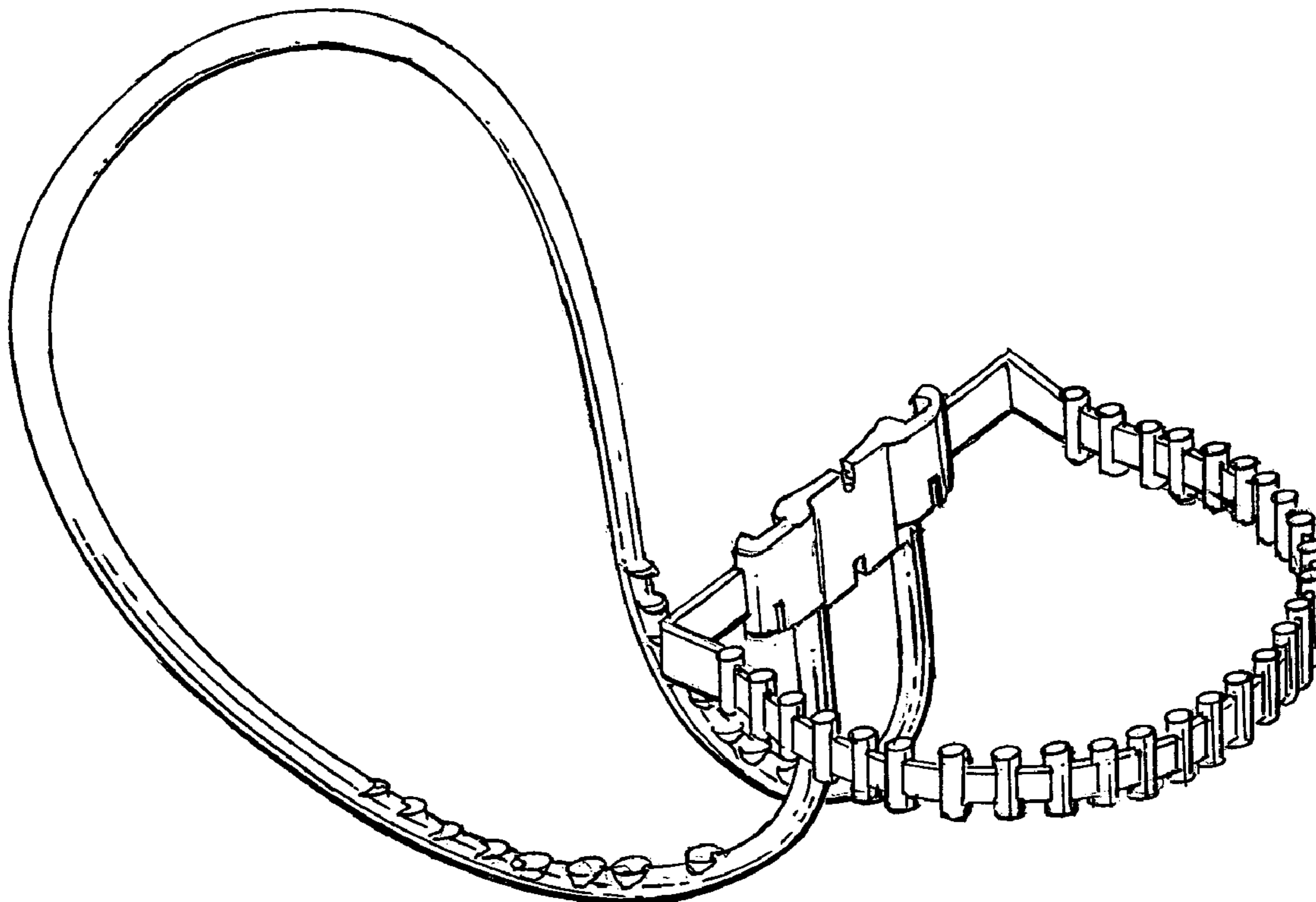
(57) **CLAIM**

The ornamental design for a belted ball holder, as shown and described.

**DESCRIPTION**

FIG. 1 is an upper perspective view of a belted ball holder, FIG. 2 is a lower perspective view thereof, FIG. 3 is a top plan view thereof; and, FIG. 4 is a side elevation view thereof.

**1 Claim, 2 Drawing Sheets**



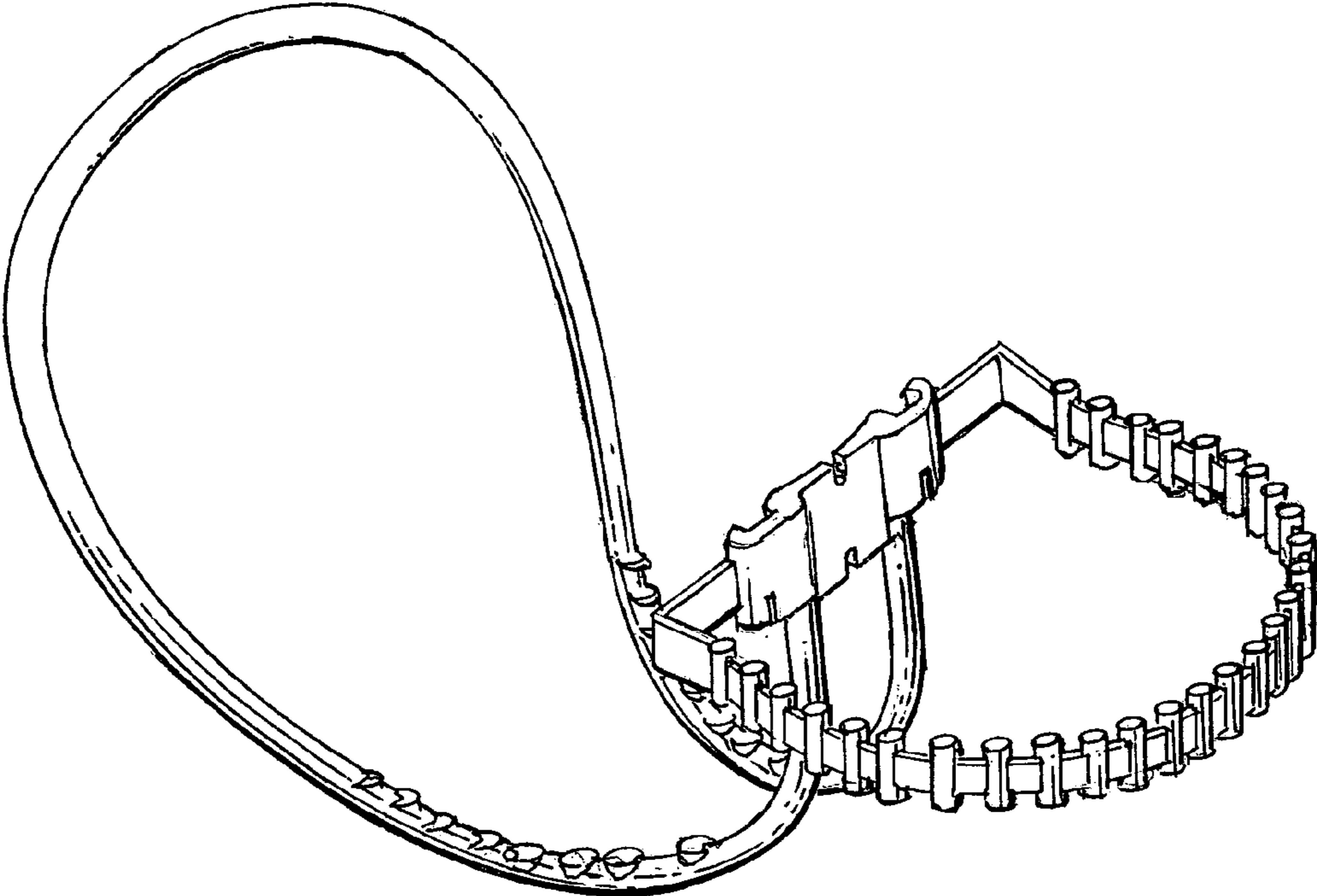


FIG.1

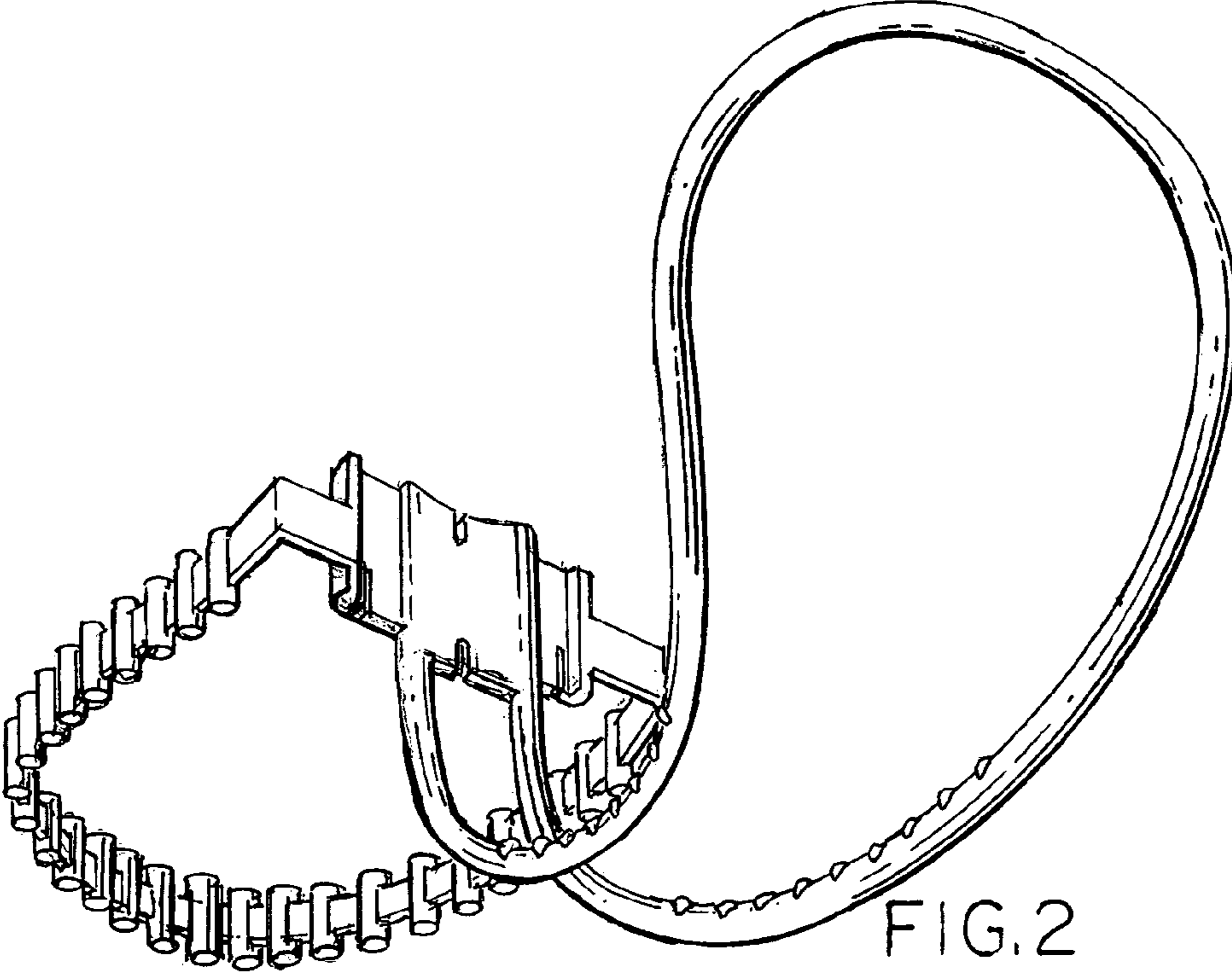


FIG.2

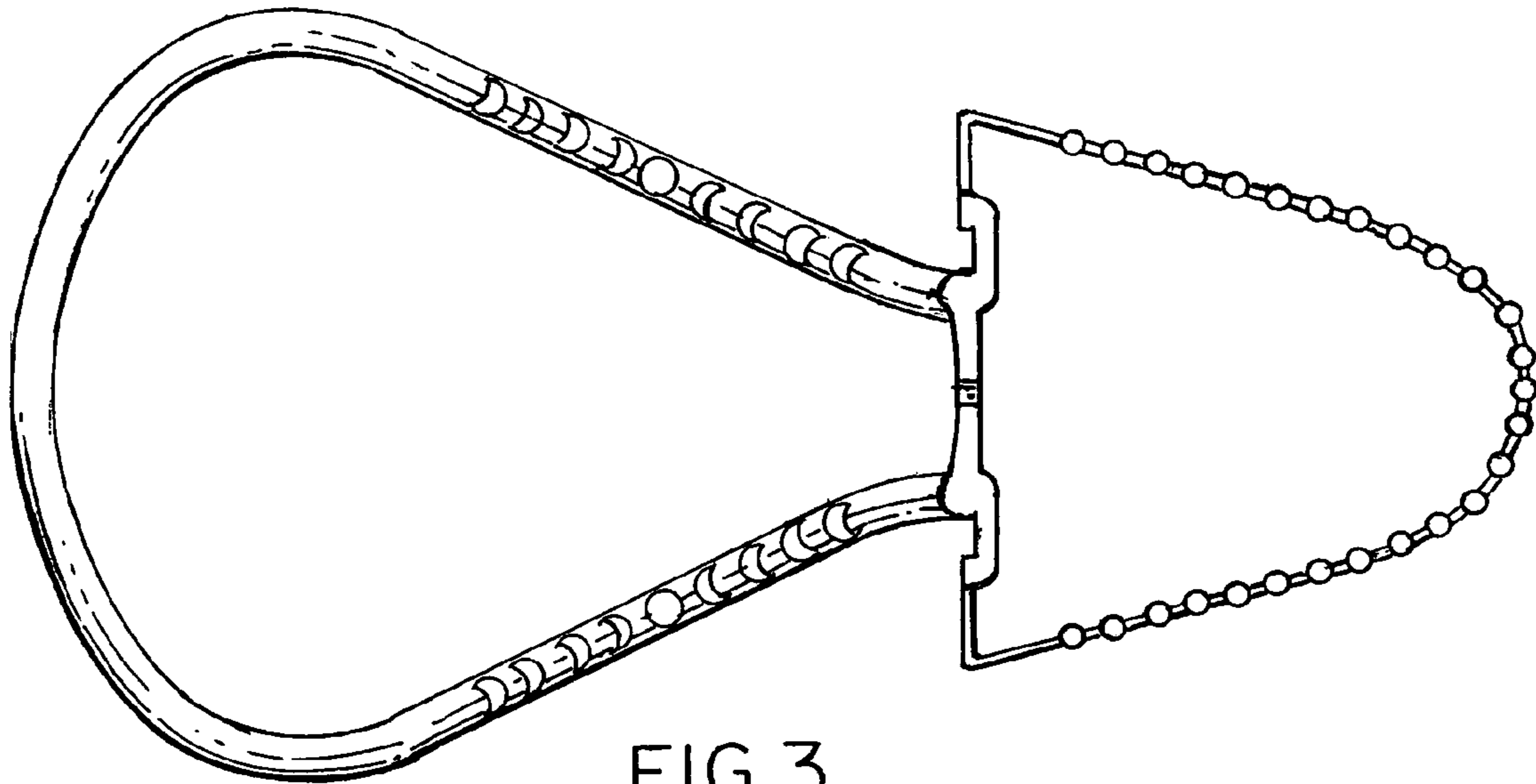


FIG. 3

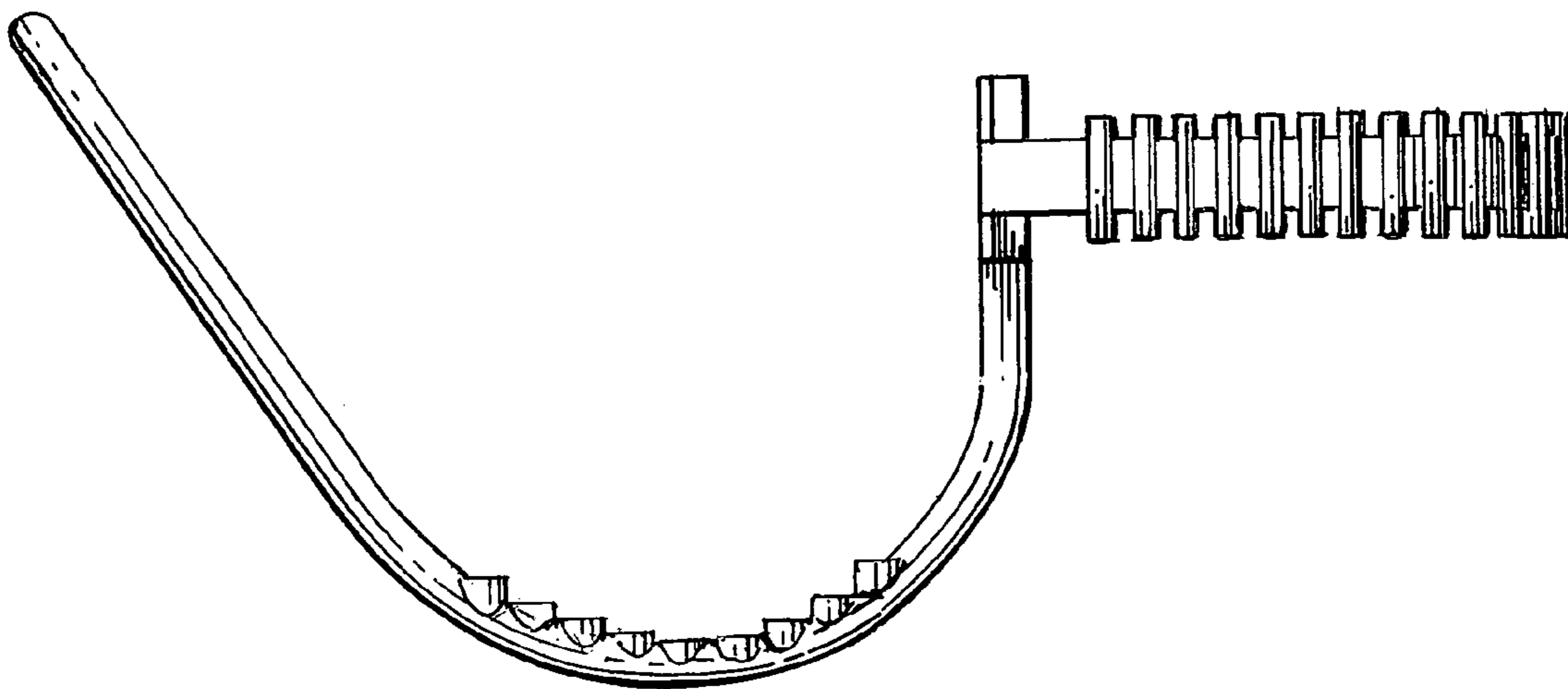


FIG. 4