



US00D554854S

(12) **United States Design Patent**
Curtin

(10) **Patent No.:** **US D554,854 S**

(45) **Date of Patent:** **** Nov. 13, 2007**

(54) **STORAGE KNIFE SLEEVE**

2004/0244204 A1* 12/2004 Elsener-Zehnder et al. ... 30/151

(75) Inventor: **Heather Curtin**, Renton, WA (US)

* cited by examiner

(73) Assignee: **Progressive International Corporation**, Kent, WA (US)

Primary Examiner—Catherine R. Oliver

(74) *Attorney, Agent, or Firm*—Black Lowe & Graham, PLLC

(**) Term: **14 Years**

(57) **CLAIM**

(21) Appl. No.: **29/247,546**

I claim the ornamental design for the storage knife sleeve, as shown.

(22) Filed: **Jun. 26, 2006**

(51) **LOC (8) Cl.** **03-01**

(52) **U.S. Cl.** **D3/220**

(58) **Field of Classification Search** D3/220;
D22/117–118; 30/151, 162; 224/232
See application file for complete search history.

DESCRIPTION

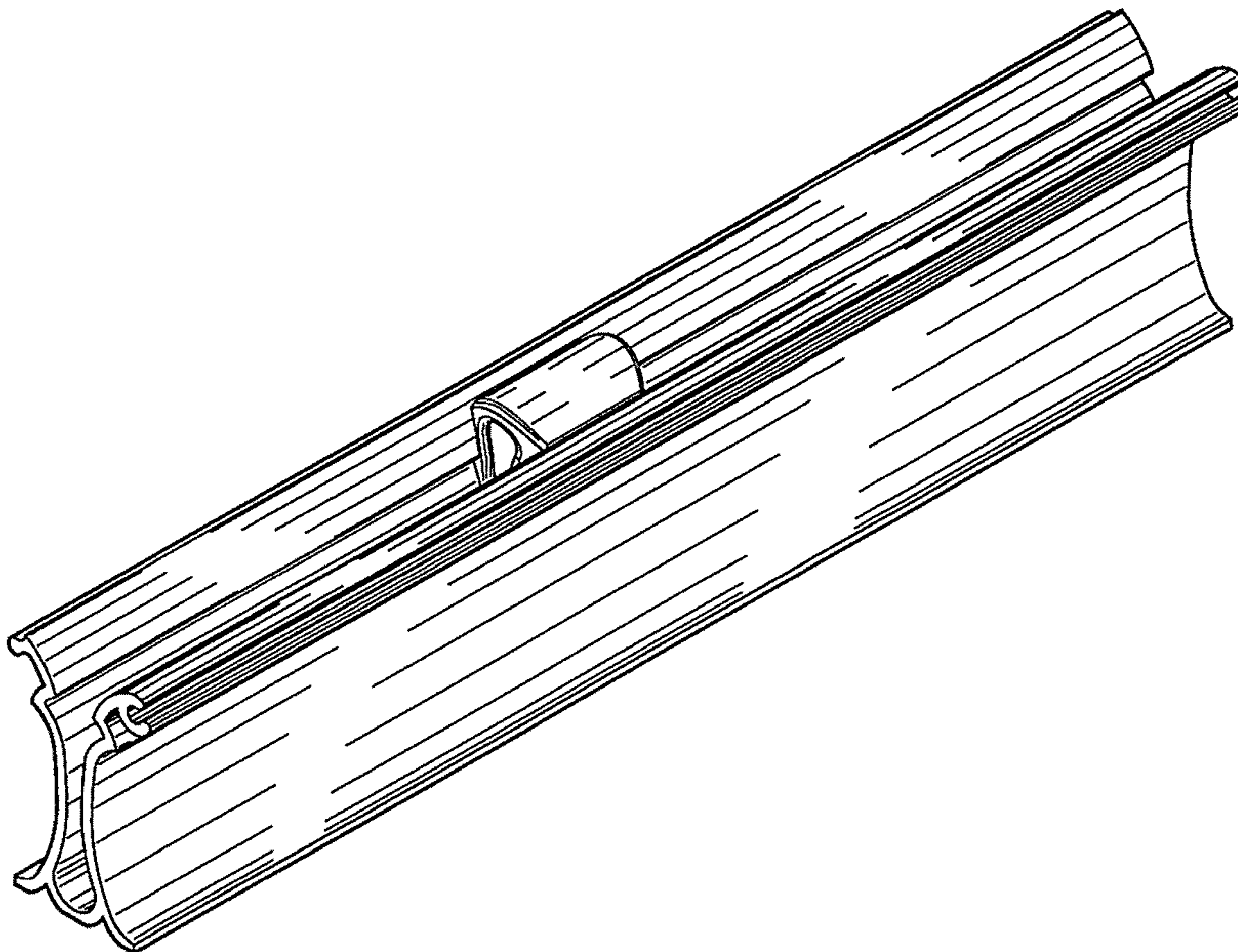
FIG. 1 is a front view of the storage knife sleeve;
FIG. 2 is a right side view of the storage knife sleeve;
FIG. 3 is a top view of the storage knife sleeve;
FIG. 4 is a left side view of the storage knife sleeve;
FIG. 5 is a bottom view of the storage knife sleeve;
FIG. 6 is a rear view of the storage knife sleeve; and,
FIG. 7 is a perspective view of the storage knife sleeve.

(56) **References Cited**

U.S. PATENT DOCUMENTS

D332,872 S * 2/1993 Seber D3/220
D476,394 S * 6/2003 Trbovich, Jr. D22/118
D540,032 S * 4/2007 deDoes D3/220

1 Claim, 3 Drawing Sheets



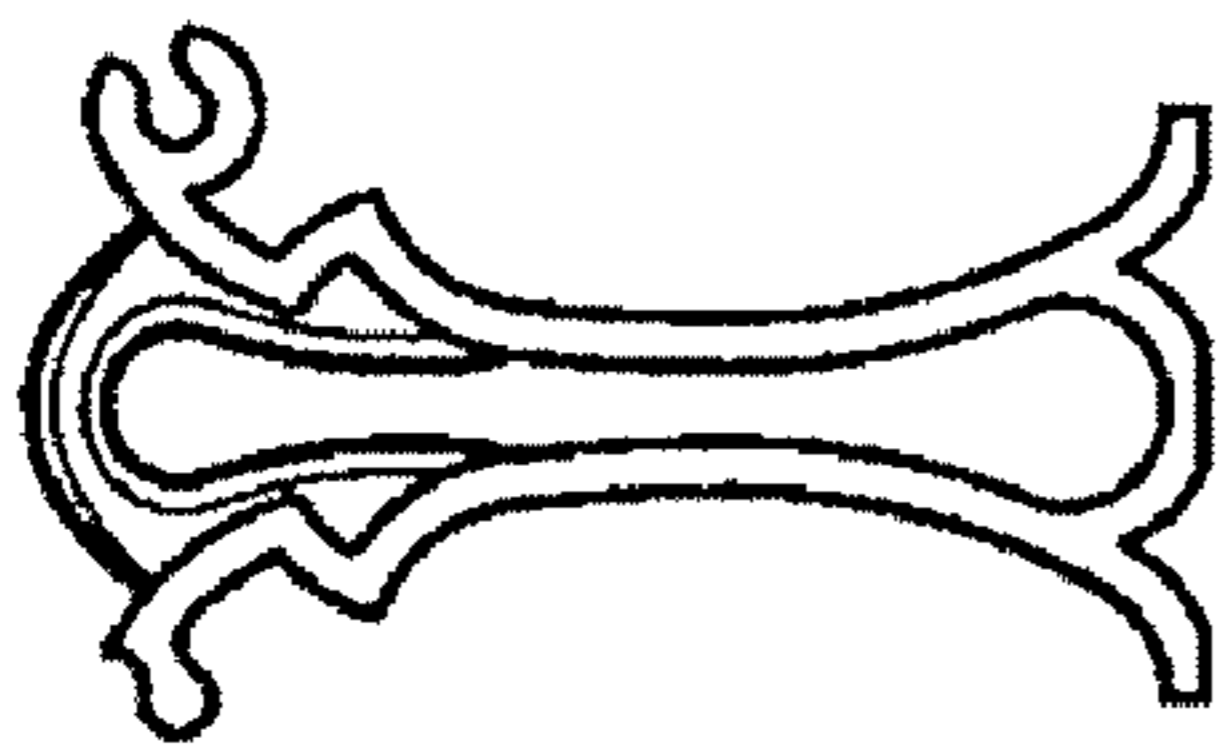


FIG. 1

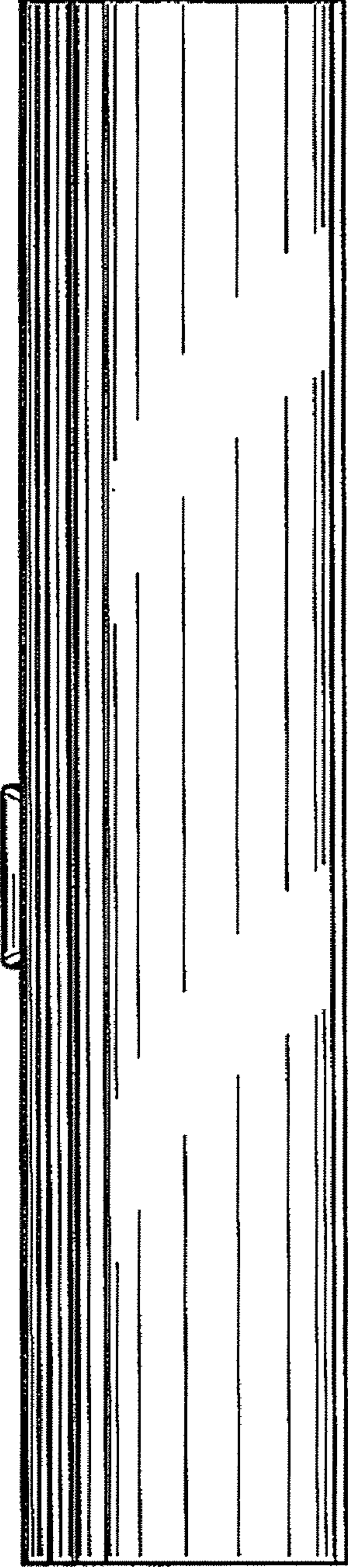


FIG. 3

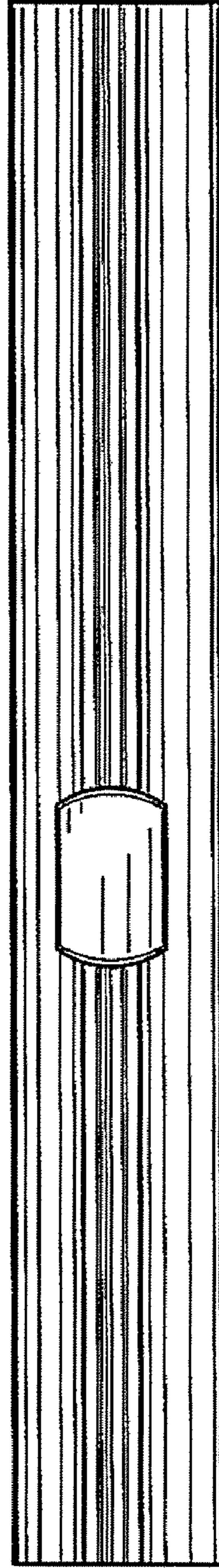


FIG. 2

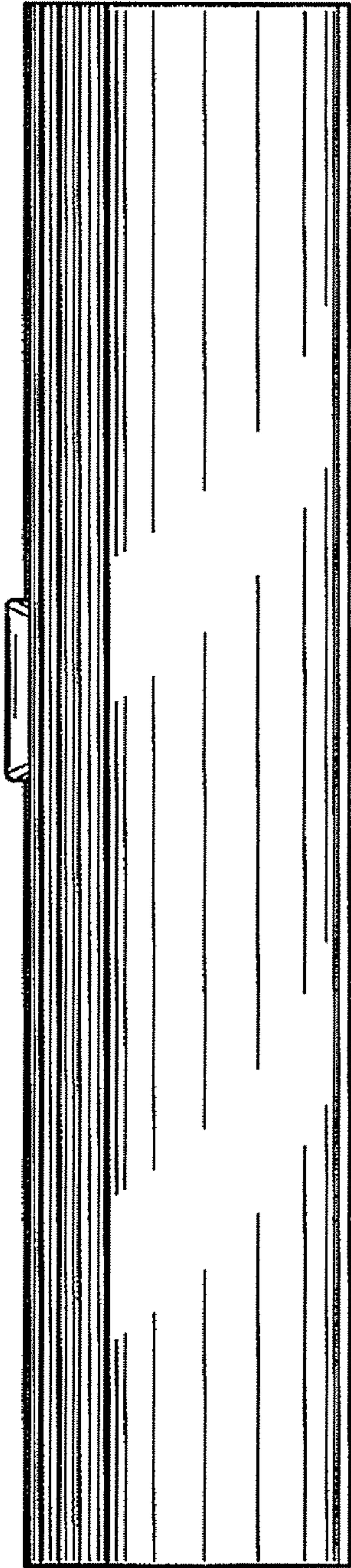


FIG. 4

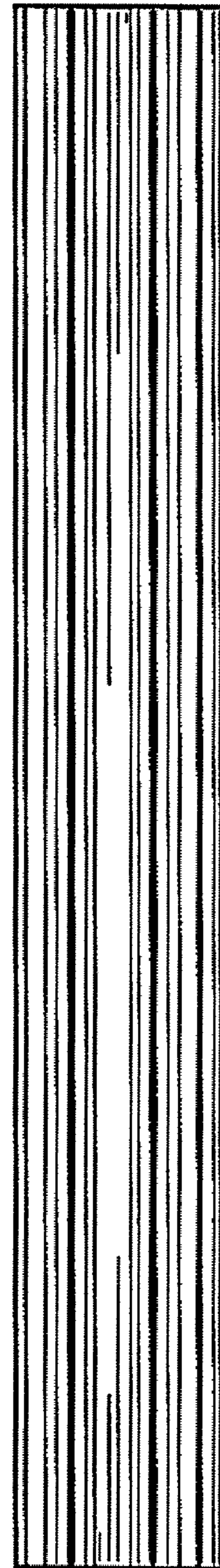


FIG. 5

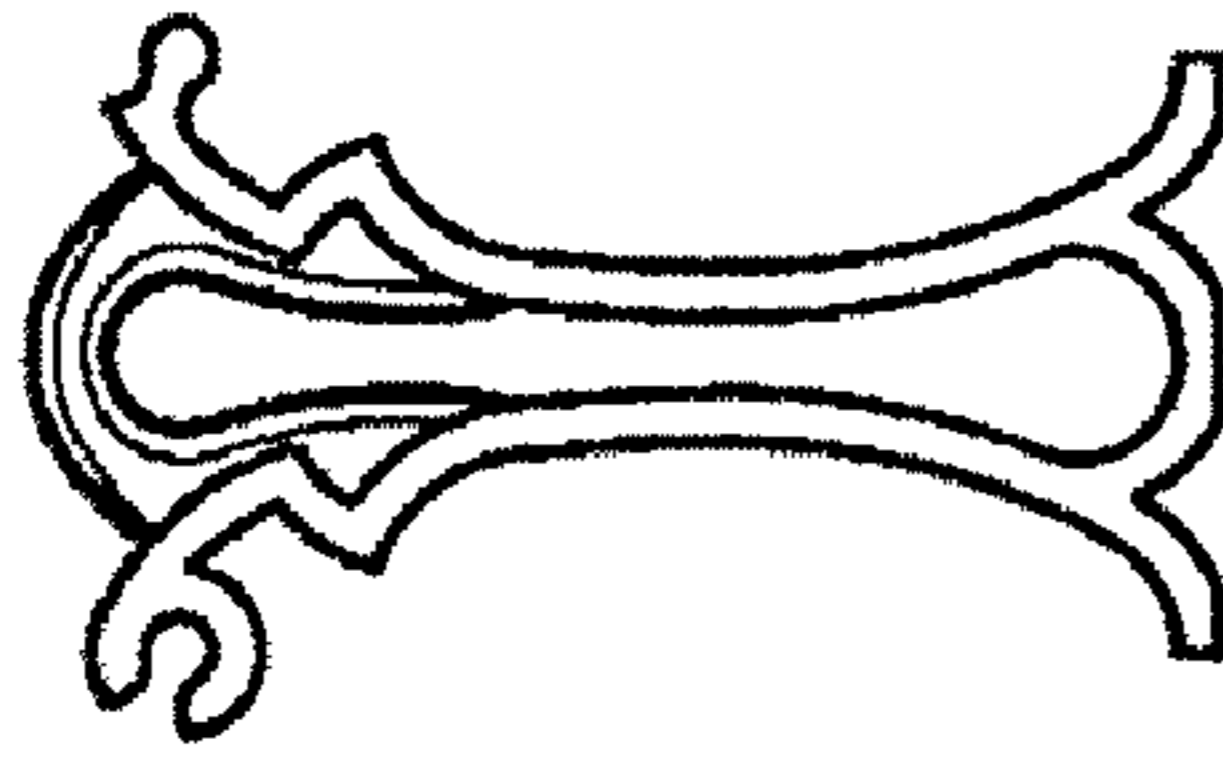


FIG. 6

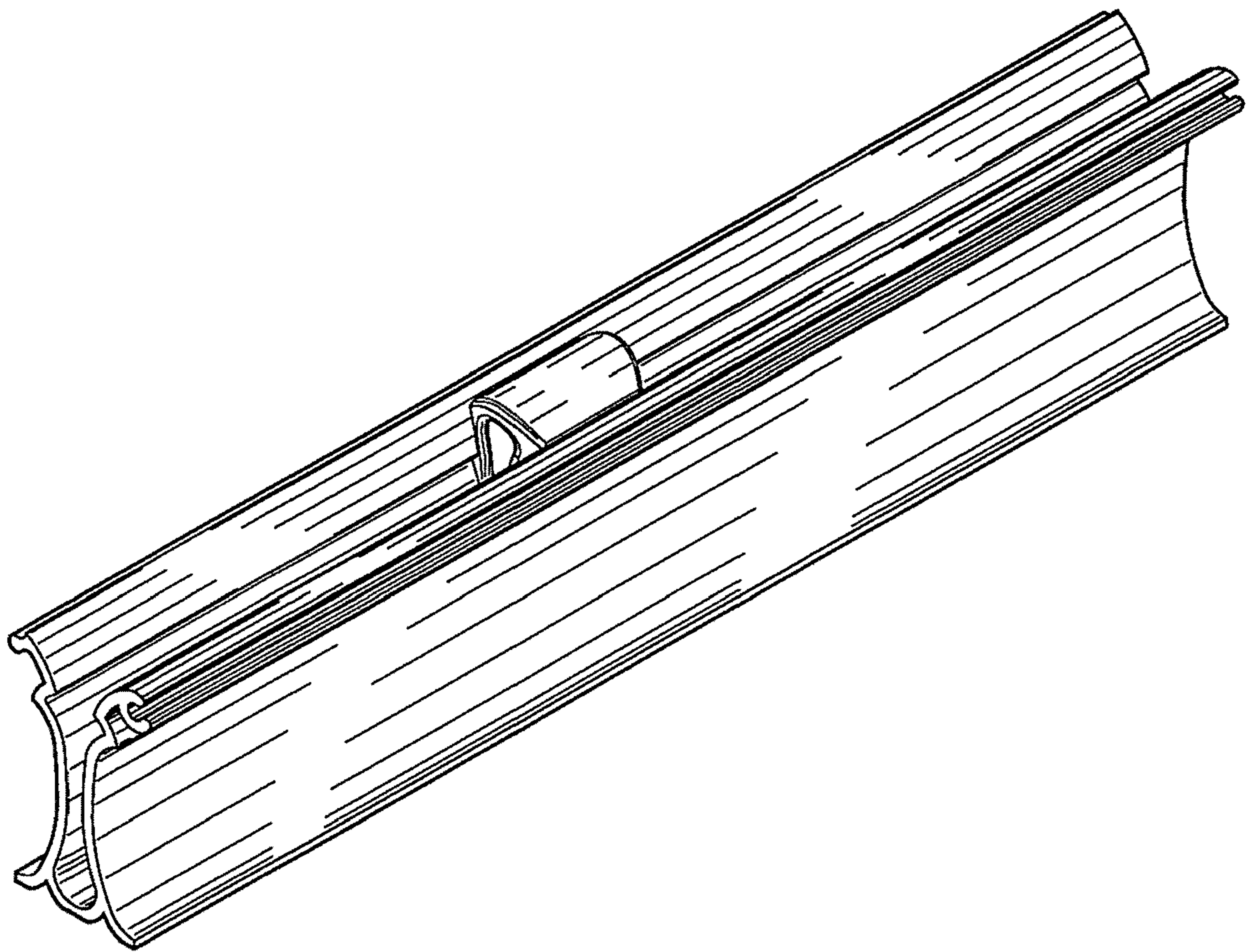


FIG. 7