



US00D554850S

(12) **United States Design Patent**
Acosta

(10) **Patent No.:** **US D554,850 S**

(45) **Date of Patent:** **** Nov. 13, 2007**

(54) **SUN SHADE**

D477,458 S * 7/2003 Goldwitz D3/10
D477,906 S * 8/2003 Martin D3/5

(76) Inventor: **David A. Acosta**, 316 Camino Elevado,
Bonita, CA (US) 91902-2416

* cited by examiner

(**) Term: **14 Years**

Primary Examiner—Ian Simmons

Assistant Examiner—Anhdao Doan

(21) Appl. No.: **29/253,137**

(74) *Attorney, Agent, or Firm*—Peter K. Hahn; Luce,
Forward, Hamilton & Scripps, LLP

(22) Filed: **Feb. 1, 2006**

(57) **CLAIM**

(51) **LOC (8) Cl.** **03-03**

The ornamental design for a sun shade, as shown and
described.

(52) **U.S. Cl.** **D3/5**

(58) **Field of Classification Search** D3/5,
D3/6, 10-17; 135/15.1, 20.1, 15, 16, 98,
135/99, 20.3, 21

See application file for complete search history.

DESCRIPTION

FIG. 1 is a top perspective view of a sun shade according to
the present invention;

(56) **References Cited**

U.S. PATENT DOCUMENTS

200,945	A	*	3/1878	Smith	135/21
D220,991	S	*	6/1971	Riley	D3/6
D323,582	S	*	2/1992	Volcani	D3/5
5,611,364	A	*	3/1997	Woods et al.	135/21
D434,556	S	*	12/2000	Lin	D3/6
6,202,659	B1	*	3/2001	Sachs	135/20.1
D465,912	S	*	11/2002	Zales	D3/5

FIG. 2 is a left side view of the sun shade;

FIG. 3 is a right side view of the sun shade;

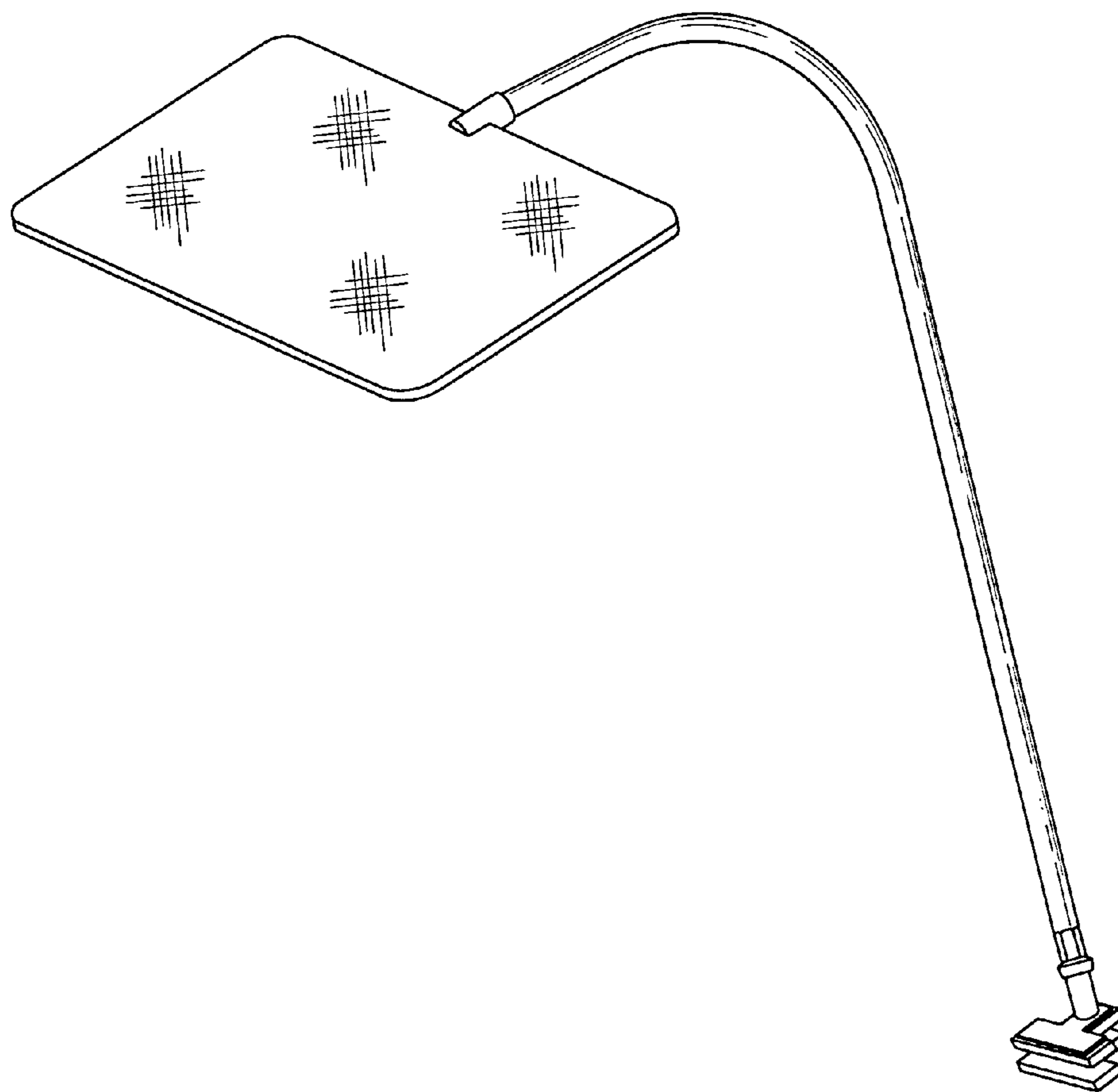
FIG. 4 is a rear view of the sun shade;

FIG. 5 is a front view of the sun shade;

FIG. 6 is a top view of the sun shade; and,

FIG. 7 is a bottom view of the sun shade.

1 Claim, 5 Drawing Sheets



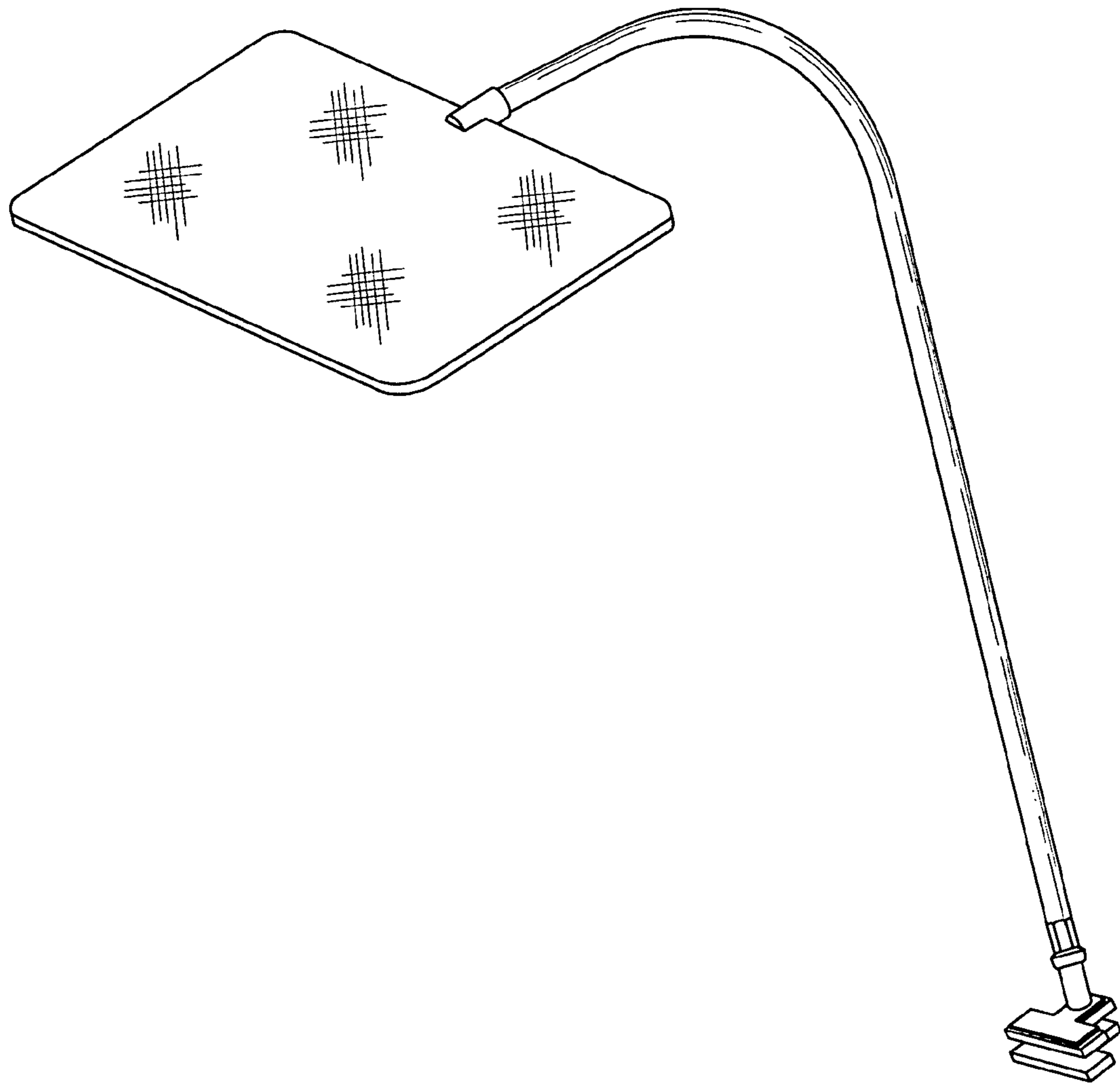


FIG. 1

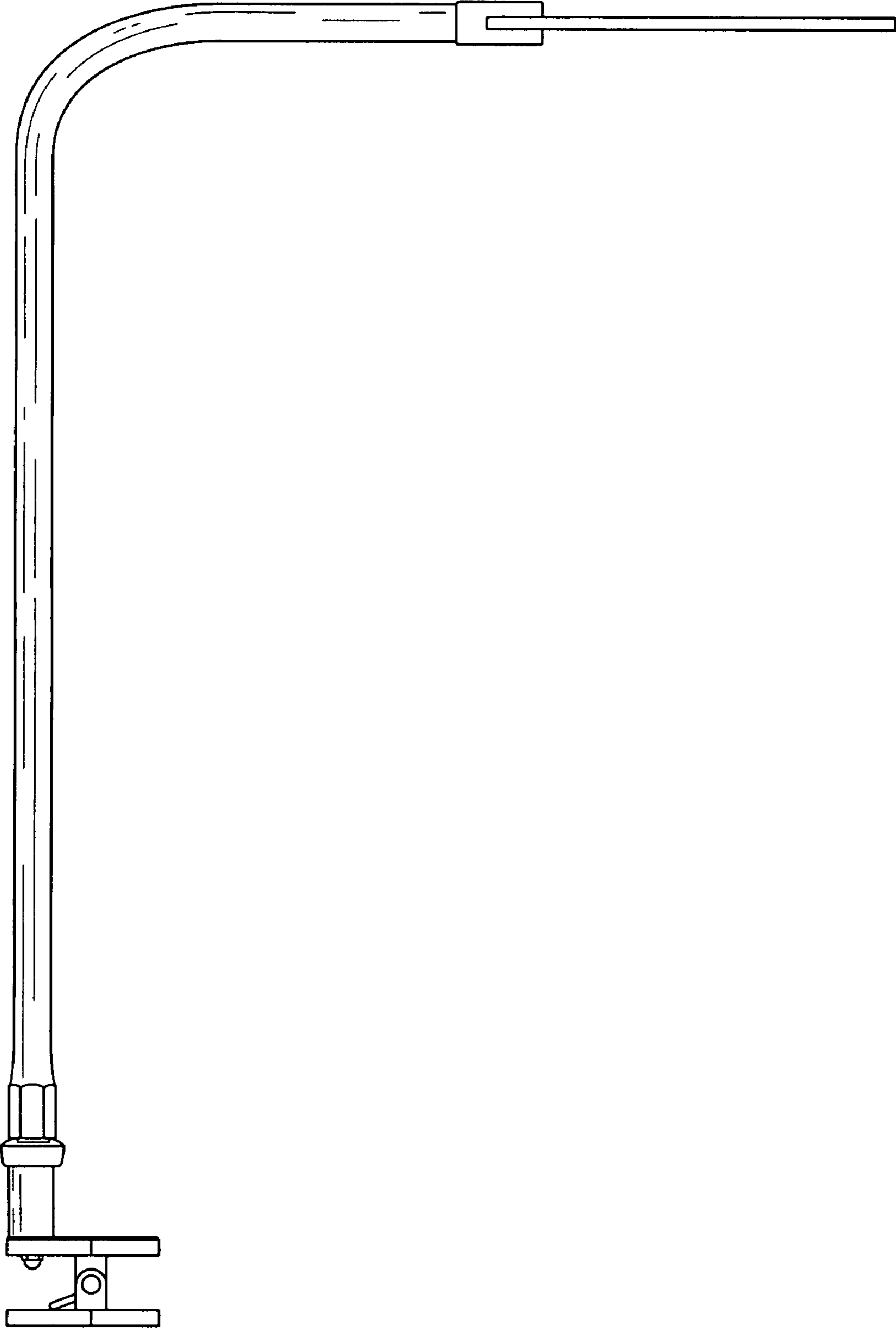


FIG. 2

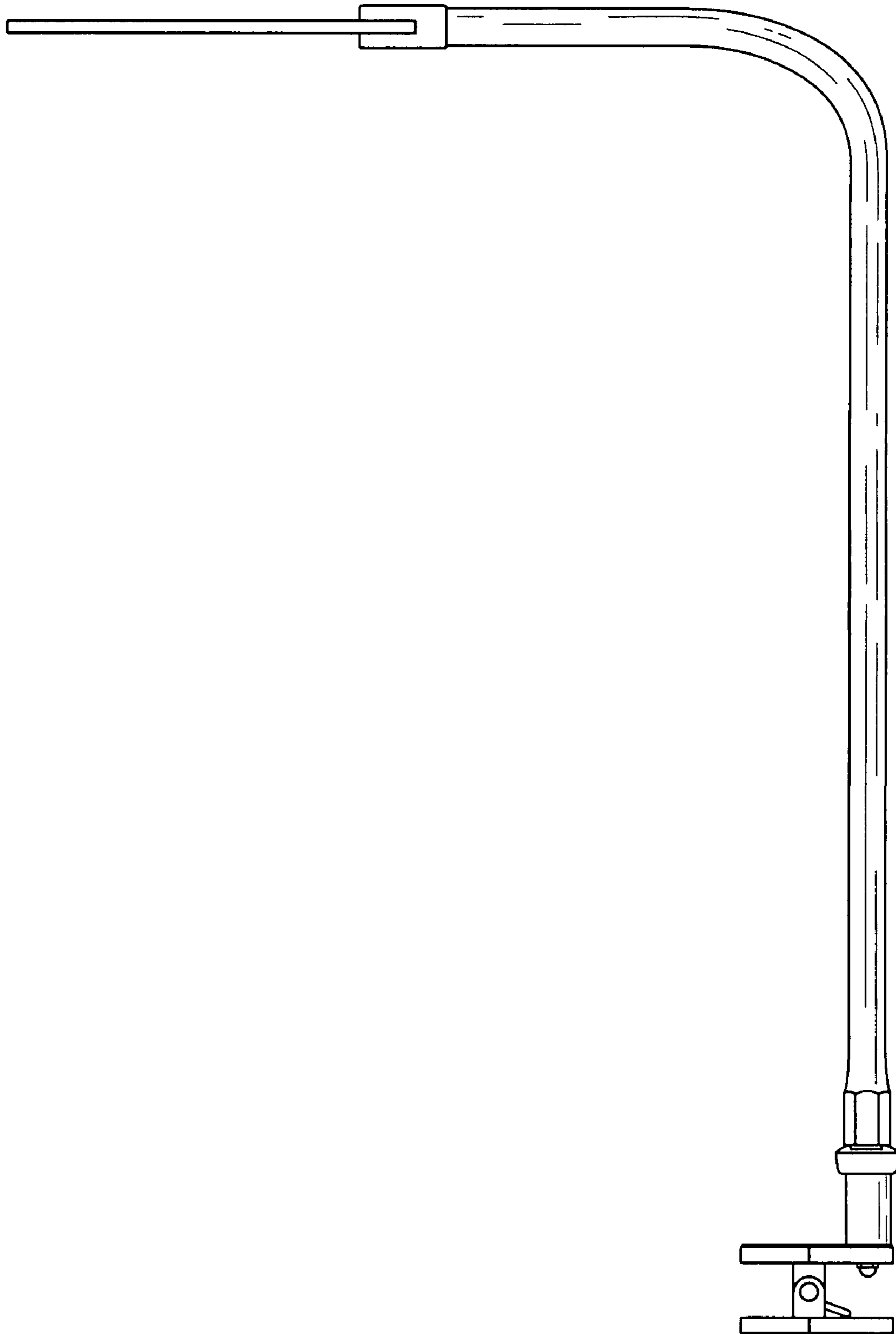


FIG. 3

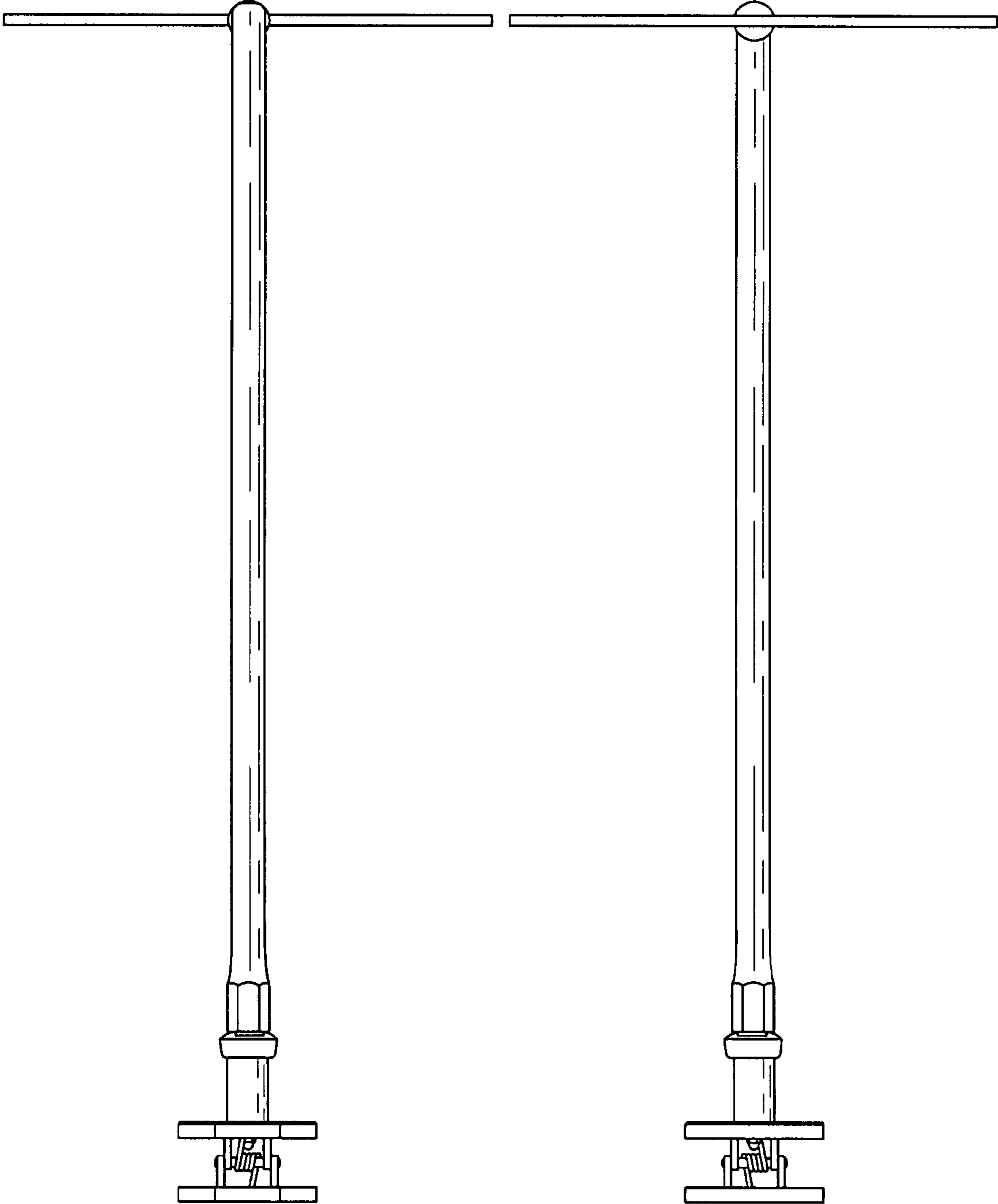


FIG. 4

FIG. 5

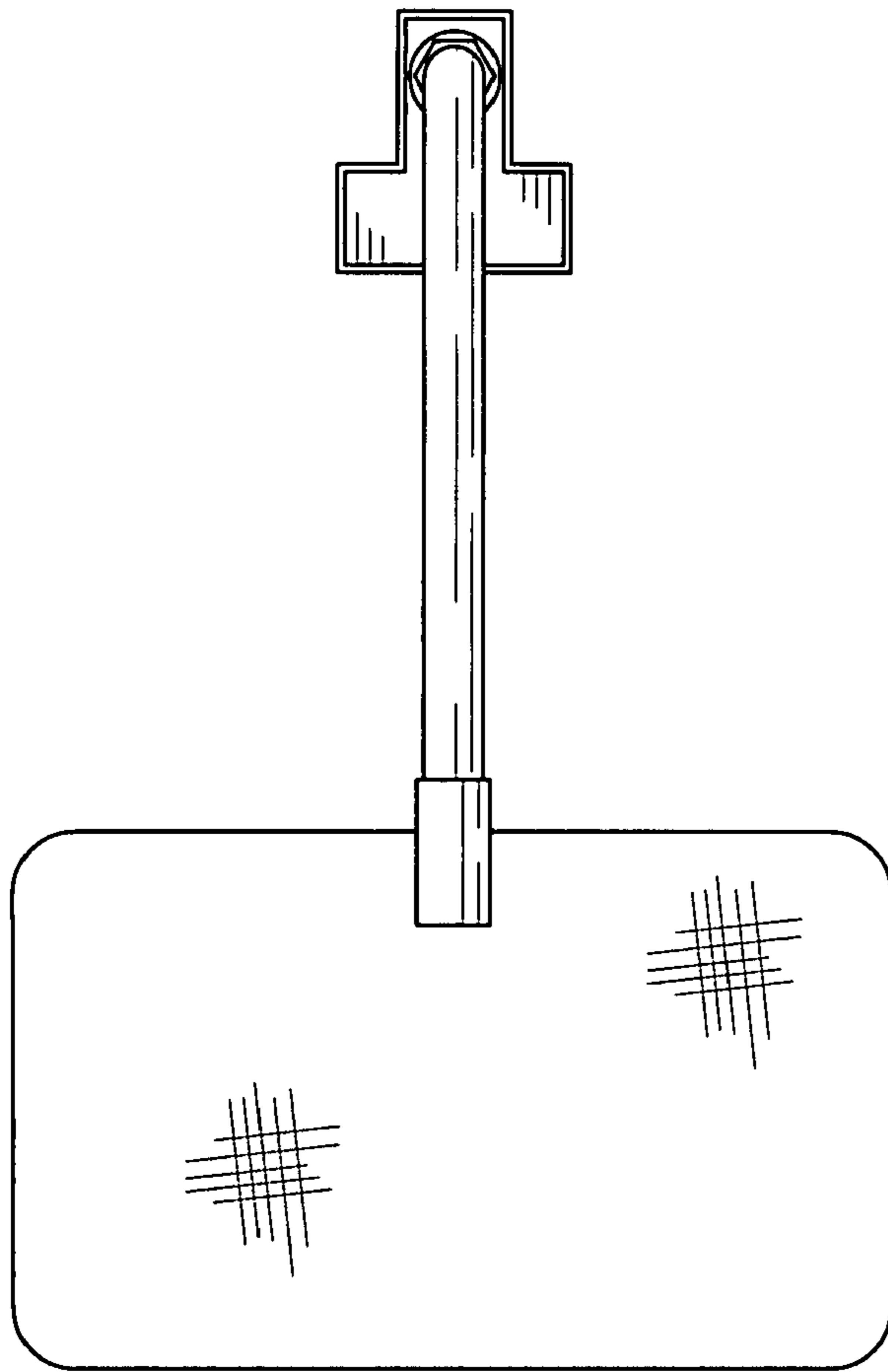


FIG. 6

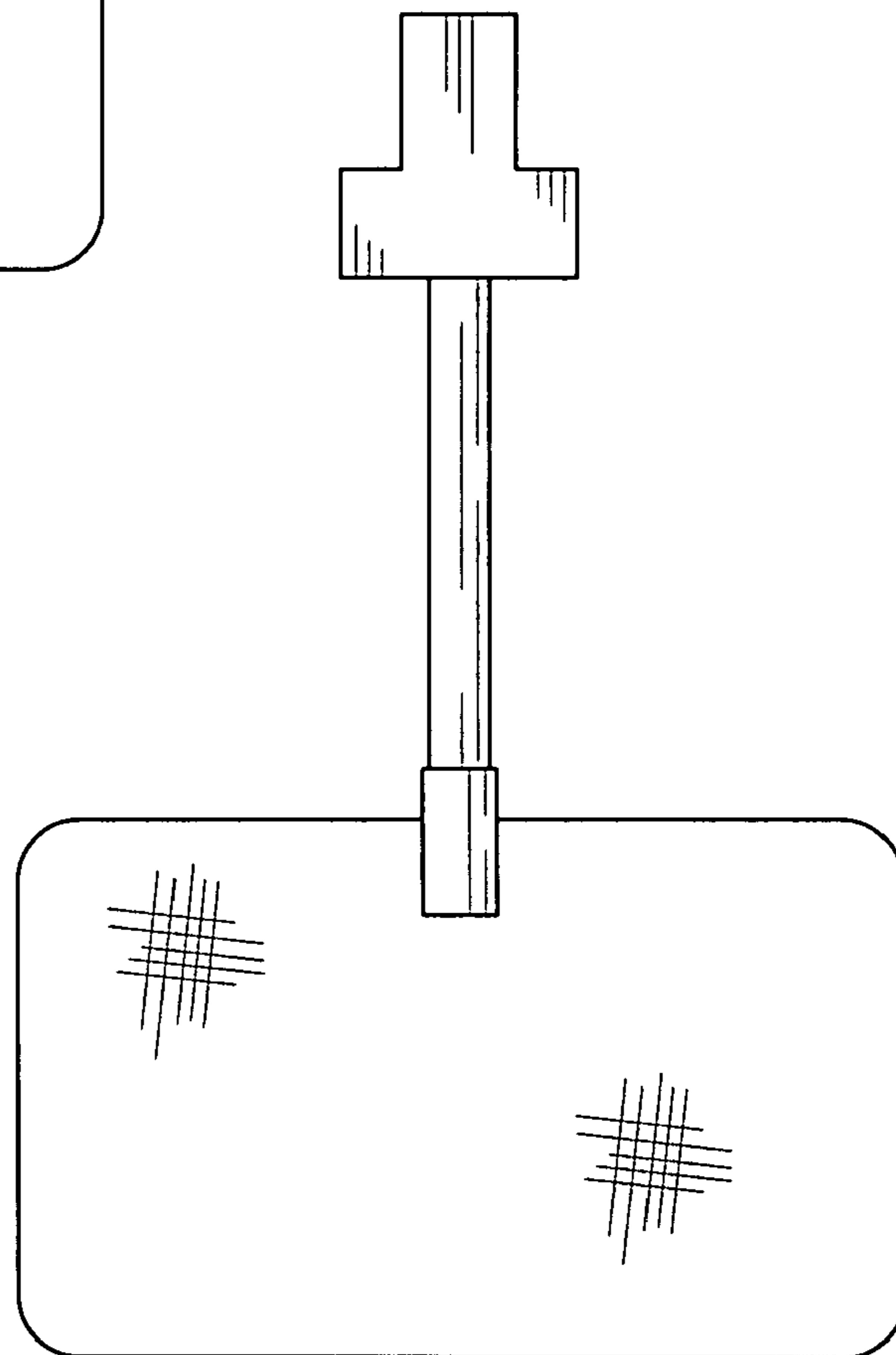


FIG. 7