



US00D554841S

(12) **United States Design Patent**  
**McClaskie**

(10) **Patent No.:** **US D554,841 S**

(45) **Date of Patent:** **\*\* Nov. 13, 2007**

(54) **OUTSOLE FOR A SHOE**

(75) Inventor: **Thomas E. McClaskie**, Bethlehem, PA  
(US)

(73) Assignee: **Columbia Insurance Company**,  
Omaha, NE (US)

(\*\*) Term: **14 Years**

(21) Appl. No.: **29/252,114**

(22) Filed: **Jan. 19, 2006**

(51) **LOC (8) Cl.** ..... **02-04**

(52) **U.S. Cl.** ..... **D2/960; D2/951; D2/953;**  
**D2/954; D2/955; D2/957**

(58) **Field of Classification Search** ..... **D2/897,**  
**D2/898, 902, 908, 916, 919, 947, 949, 951-961,**  
**D2/977; 36/3 B, 22 R, 24.5, 25 R, 28, 29,**  
**36/32 R, 59 C, 103**

See application file for complete search history.

(56) **References Cited**

**U.S. PATENT DOCUMENTS**

D89,936 S *	5/1933	Crossman et al. ....	D2/953
1,974,543 A	9/1934	Reymond .....	12/142
2,046,217 A	6/1936	Strauss .....	36/72
2,079,237 A	5/1937	Allard .....	36/72
D107,977 S *	1/1938	Tousley .....	D2/953
2,160,768 A	5/1939	Wasser .....	36/72
D120,316 S *	4/1940	Reeves .....	D2/959
D122,777 S *	10/1940	Laybolt .....	D2/953
D123,898 S *	12/1940	Tousley .....	D2/953
2,229,406 A *	1/1941	Cutler .....	36/59 R
D126,598 S *	4/1941	Cox et al. ....	D2/960
D126,599 S *	4/1941	Cox .....	D2/960
2,344,069 A	3/1944	Wasser .....	36/72
2,722,756 A *	11/1955	Ecclesine .....	36/59 C
3,091,871 A	6/1963	Tronche .....	36/72
3,175,310 A	3/1965	MacQuaid .....	36/72
3,175,311 A	3/1965	MacQuaid .....	36/72
3,191,321 A	6/1965	Brutting .....	36/2.5
3,213,551 A	10/1965	Krauss .....	36/2.5
3,407,518 A	10/1968	MacQuaid et al. ....	36/72

3,525,165 A	8/1970	Randall, Jr. ....	36/2.5
3,561,142 A	2/1971	Streit, Sr. et al. ....	36/72
4,160,331 A *	7/1979	Bell .....	36/59 B
4,231,170 A	11/1980	Griswold .....	36/72
4,366,629 A	1/1983	Scherz .....	36/4
4,562,652 A	1/1986	Hensler .....	36/102
4,908,963 A	3/1990	Krajcir et al. ....	36/77
4,995,174 A	2/1991	Hong et al. ....	36/72
D317,084 S *	5/1991	Cerny .....	D5/56
5,048,203 A	9/1991	Kling .....	36/32
D321,778 S *	11/1991	Austin .....	D2/960
D332,345 S *	1/1993	Duffy et al. ....	D2/955
5,185,944 A	2/1993	Okajima .....	36/45

(Continued)

*Primary Examiner*—Celia A. Murphy

(74) *Attorney, Agent, or Firm*—St. Onge Steward Johnston  
& Reens LLC

(57) **CLAIM**

I claim the ornamental design for an outsole for a shoe, as shown and described.

**DESCRIPTION**

FIG. 1 is a bottom view of an outsole for a shoe showing my new design;

FIG. 2 is a bottom perspective view thereof;

FIG. 3 is a left side view thereof;

FIG. 4 is a right side view thereof;

FIG. 5 is front view thereof;

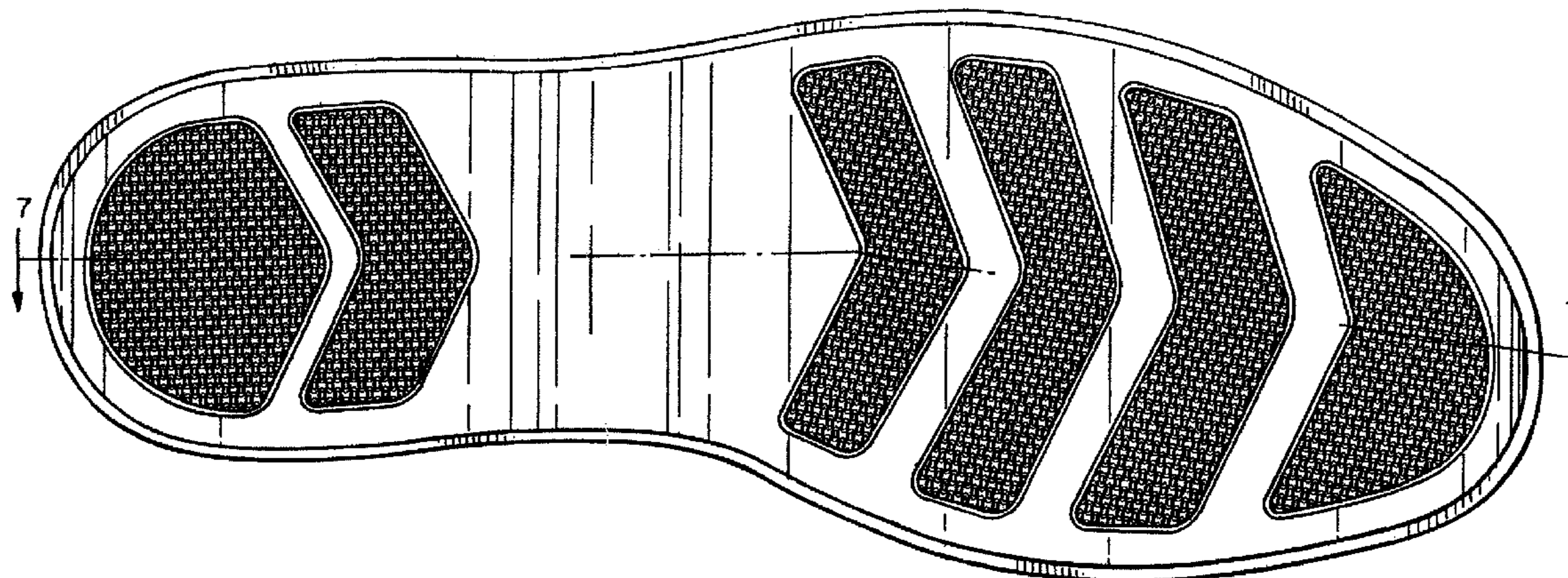
FIG. 6 is a rear view thereof;

FIG. 7 is a cross sectional view taken along line 7—7 shown in FIG. 1; and,

FIG. 8 is a detail view of the area labeled as '8' in FIG. 2.

The broken line showing a shoe upper in FIGS. 2-6 along with the portion of the interior surface, shown in FIG. 7, represent the portions of the design that form no part of the claim.

**1 Claim, 6 Drawing Sheets**



# US D554,841 S

Page 2

## U.S. PATENT DOCUMENTS

D334,464 S *	4/1993	Dodds .....	D2/957	D478,412 S *	8/2003	Adams .....	D2/960
5,499,459 A	3/1996	Tomaro .....	36/10	D491,717 S *	6/2004	Burg et al. ....	D2/960
D368,796 S *	4/1996	Fabio .....	D2/960	D495,858 S *	9/2004	McClaskie .....	D2/960
5,526,584 A	6/1996	Bleimhofer et al. ....	36/10	D496,525 S *	9/2004	Dykstra .....	D2/960
D382,692 S *	8/1997	Carlson .....	D2/960	D496,776 S *	10/2004	Wu .....	D2/953
5,657,556 A *	8/1997	Bemis .....	36/30 R	D497,469 S *	10/2004	Roulo .....	D2/957
5,738,937 A	4/1998	Baychar .....	428/316.6	D501,708 S *	2/2005	Andrews-Kramer .....	D2/960
D394,142 S *	5/1998	Merceron .....	D2/960	D504,205 S *	4/2005	Andrews-Kramer .....	D2/960
5,775,005 A *	7/1998	McClelland .....	36/31	D506,306 S *	6/2005	Teague .....	D2/960
D398,144 S *	9/1998	Egelja .....	D2/960	D523,614 S *	6/2006	Mitchell .....	D2/960
D402,095 S *	12/1998	Cretinon .....	D2/957	D529,265 S *	10/2006	Corbi Rico .....	D2/957
D410,966 S *	6/1999	Cretinon .....	D2/960	D529,697 S *	10/2006	Earle .....	D2/960
D439,032 S *	3/2001	Kung .....	D2/960	D538,015 S *	3/2007	Link .....	D2/951
D449,428 S *	10/2001	McClaskie .....	D2/957	D540,016 S *	4/2007	McClaskie .....	D2/958
D470,297 S *	2/2003	Wilson .....	D2/960				

\* cited by examiner

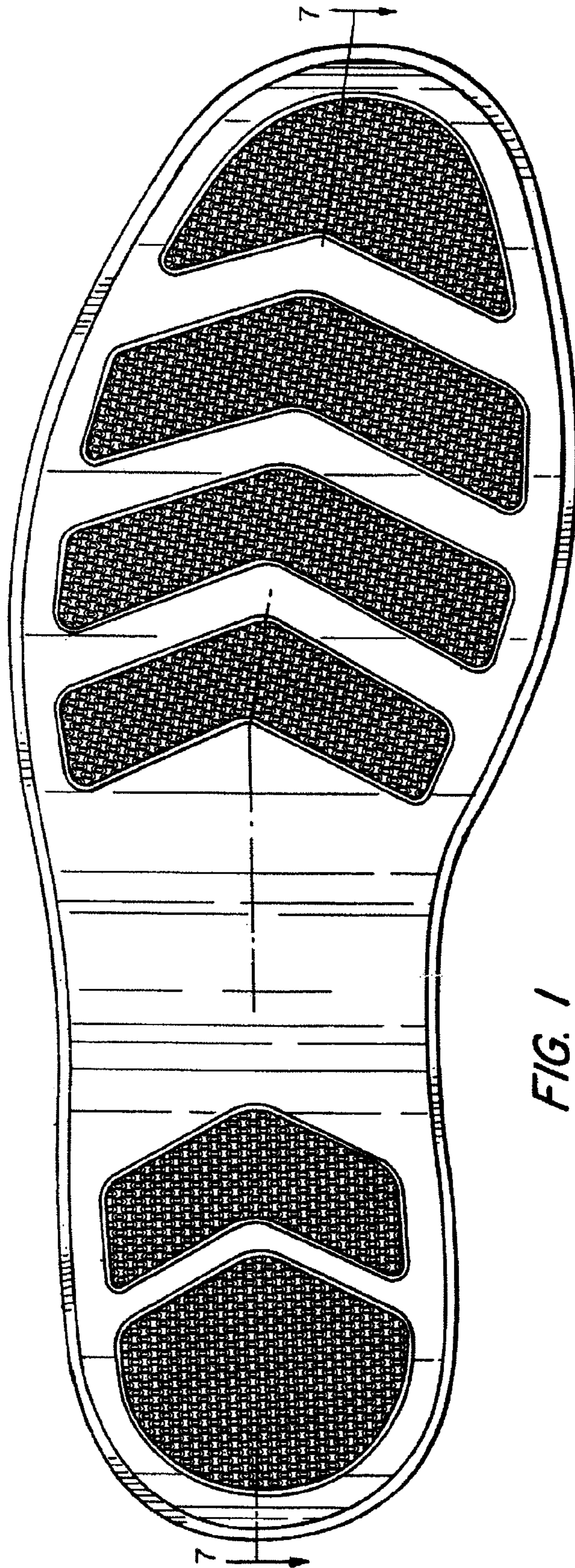


FIG. 1

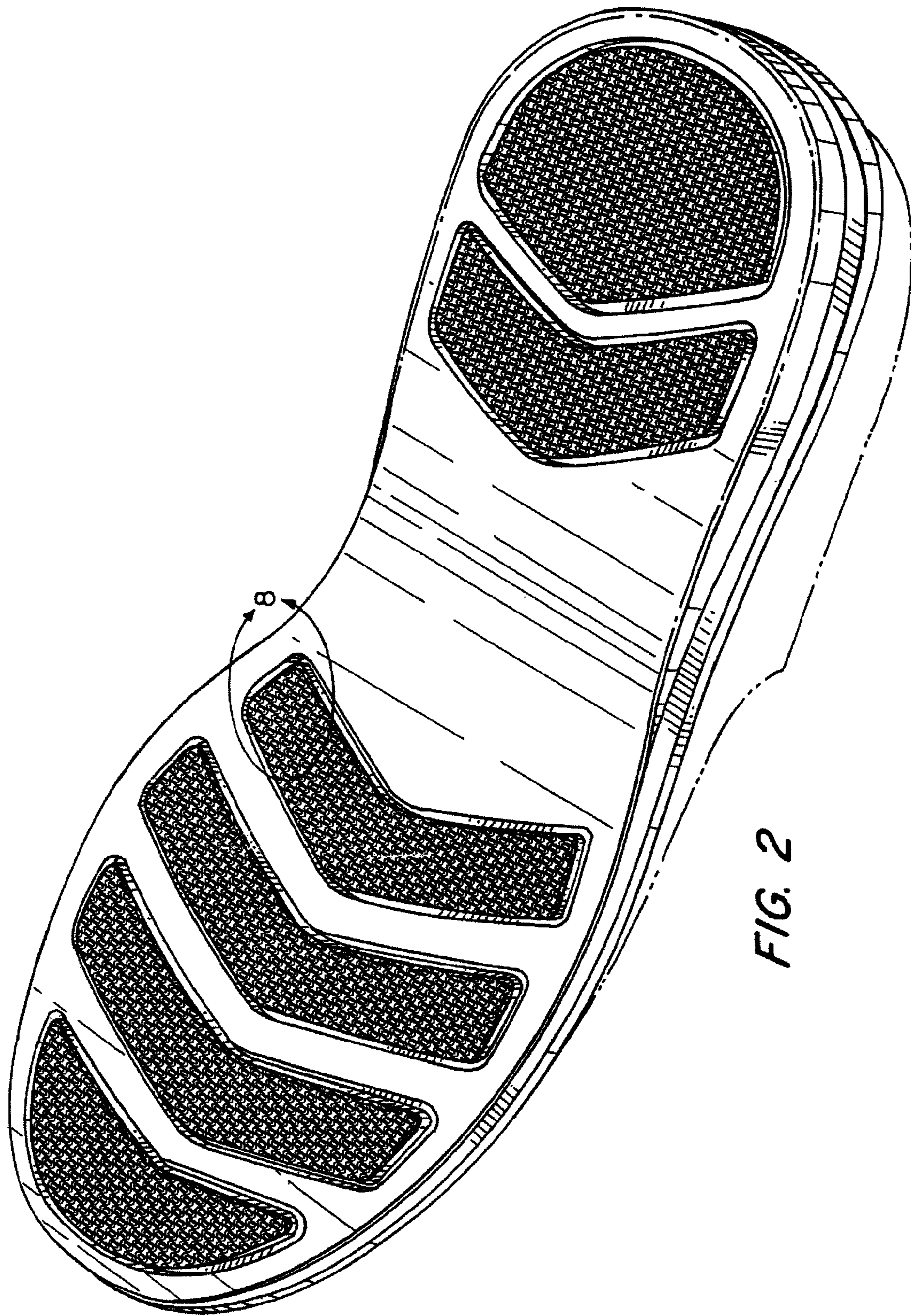
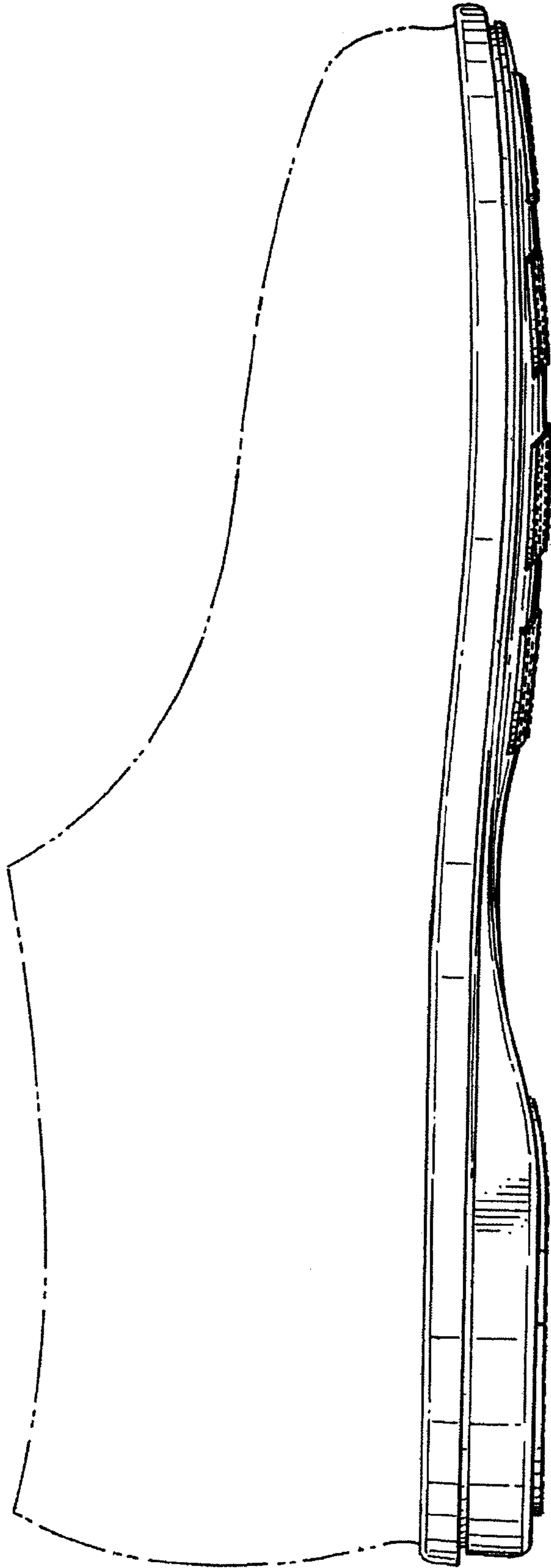
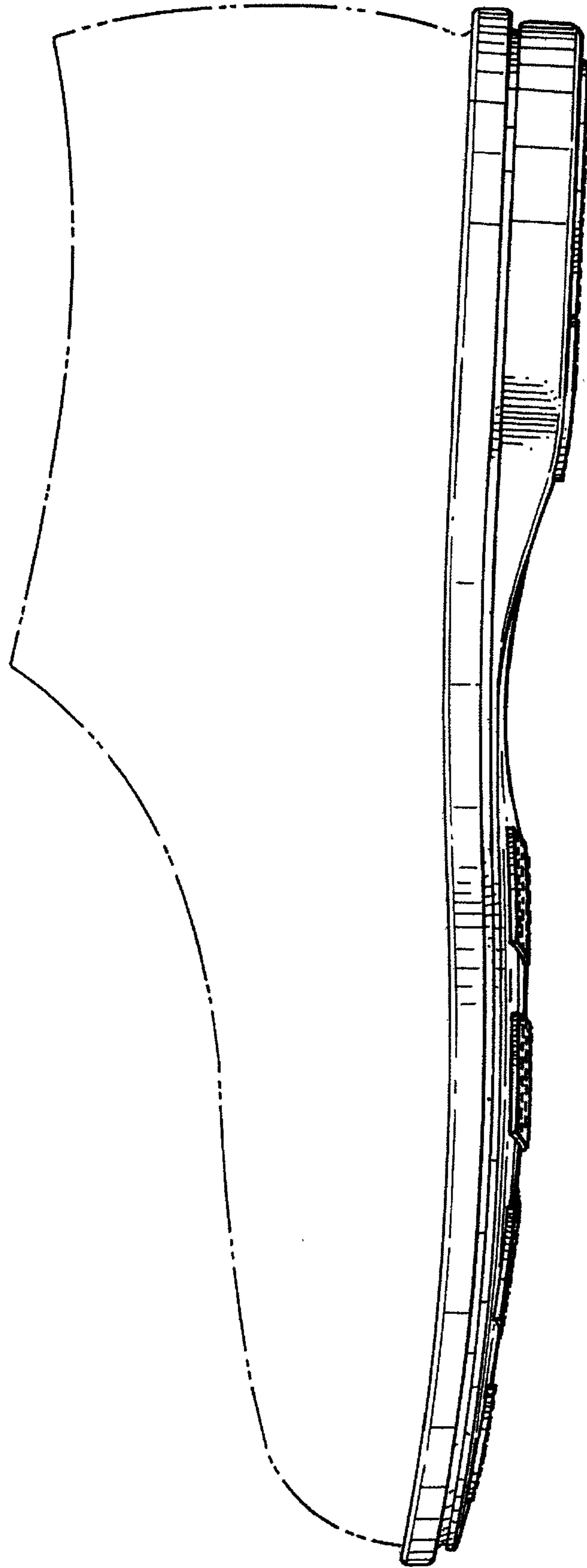


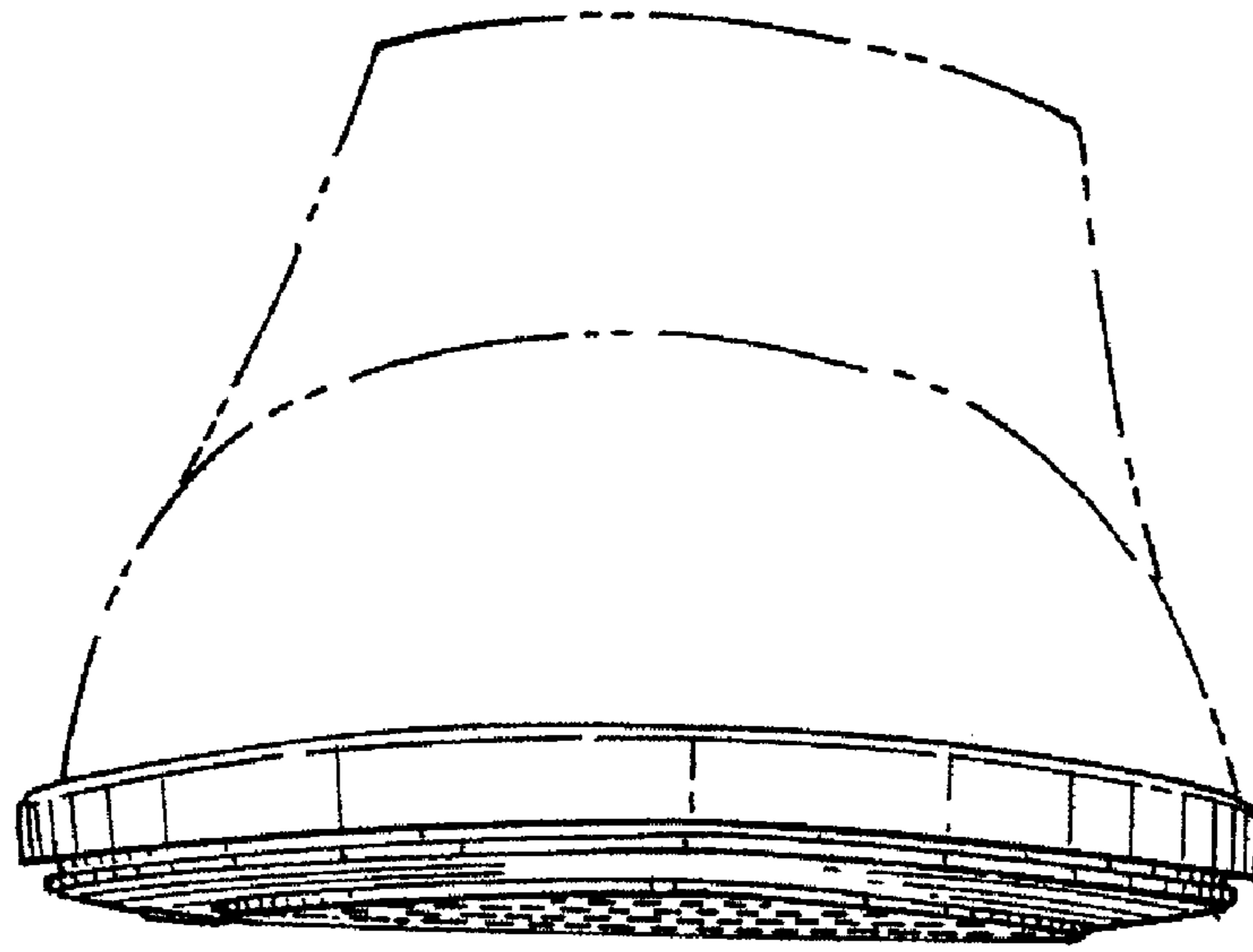
FIG. 2



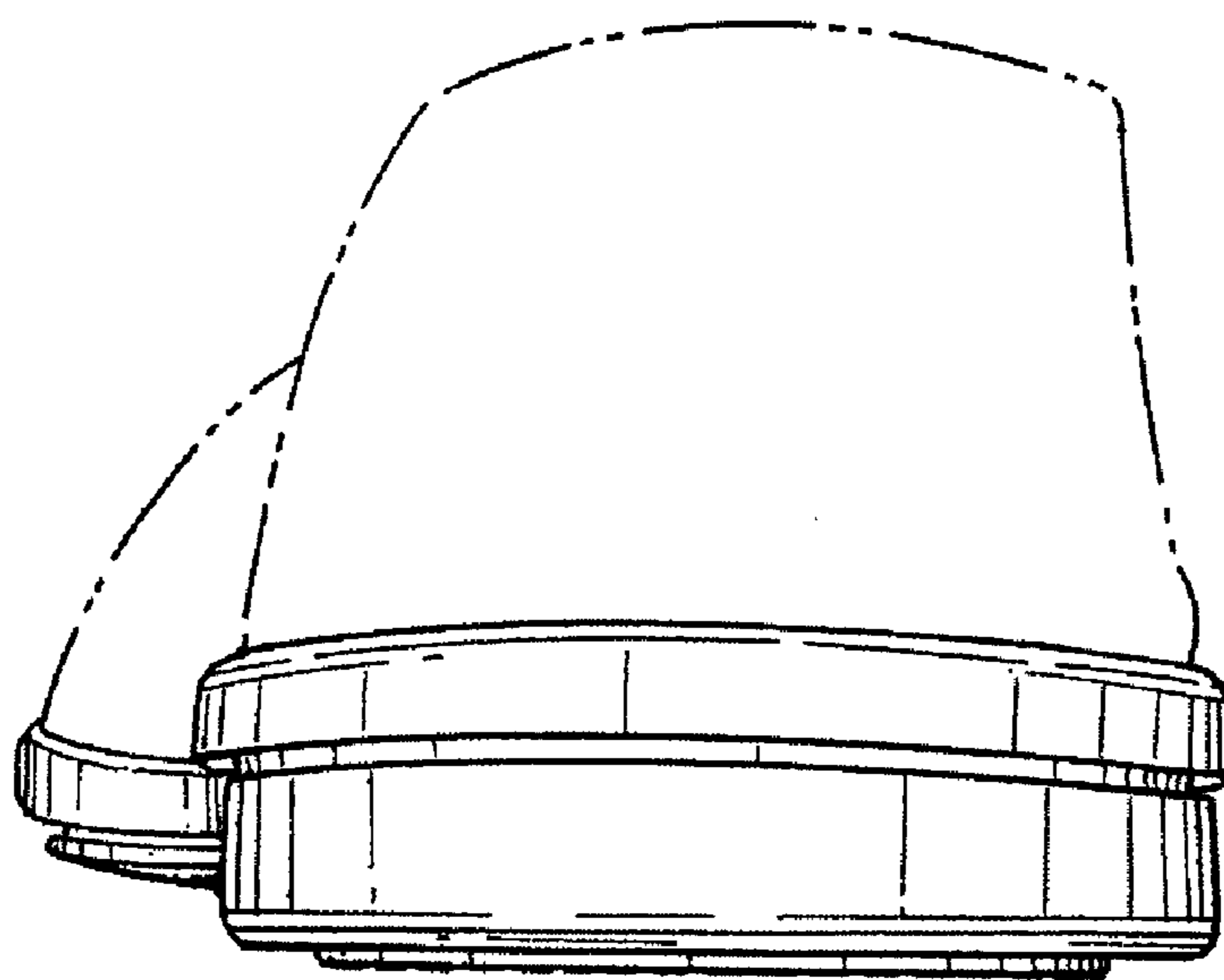
*FIG. 3*



*FIG. 4*



*FIG. 5*



*FIG. 6*

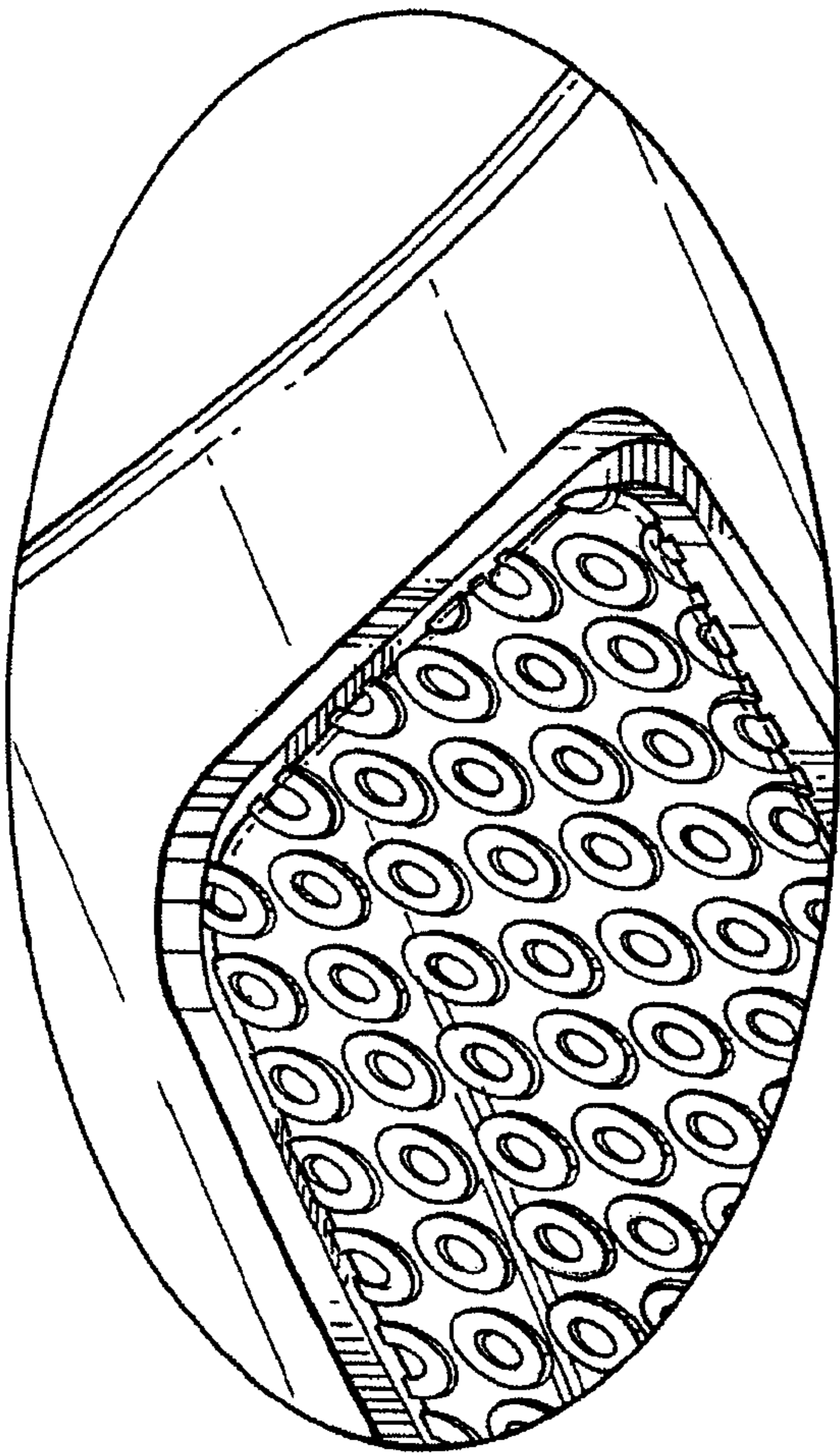


FIG. 8

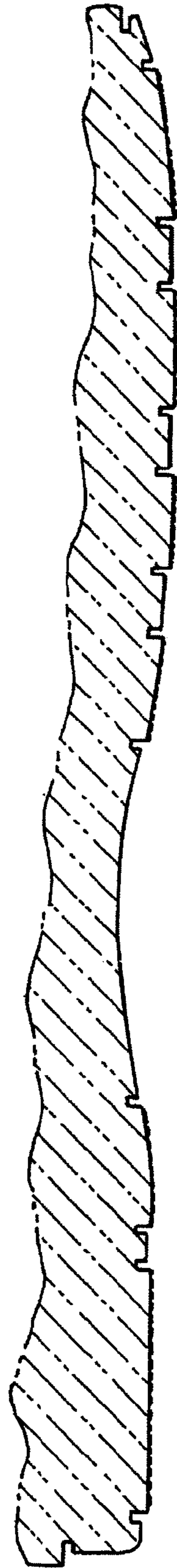


FIG. 7