



US00D554840S

(12) **United States Design Patent**
McClaskie

(10) **Patent No.:** **US D554,840 S**

(45) **Date of Patent:** **** Nov. 13, 2007**

- (54) **OUTSOLE FOR A SHOE**
- (75) Inventor: **Thomas E. McClaskie**, Bethlehem, PA (US)
- (73) Assignee: **Columbia Insurance Company**, Omaha, NE (US)
- (**) Term: **14 Years**
- (21) Appl. No.: **29/251,963**
- (22) Filed: **Jan. 17, 2006**

4,562,652 A	1/1986	Hensler	36/102
4,908,963 A	3/1990	Krajcir et al.	36/77
4,995,174 A	2/1991	Hong et al.	36/72
D317,084 S *	5/1991	Cerny	D5/56
5,048,203 A	9/1991	Kling	36/32
D321,778 S *	11/1991	Austin	D2/960
5,185,944 A	2/1993	Okajima	36/45
5,499,459 A	3/1996	Tomaro	36/10
D368,796 S *	4/1996	Fabio	D2/960
5,526,584 A	6/1996	Bleimhofer et al.	36/10
D382,692 S *	8/1997	Carlson	D2/960
5,657,556 A *	8/1997	Bemis	36/30 R
5,738,937 A	4/1998	Baychar	428/316.6
D394,142 S *	5/1998	Merceron	D2/960

- (51) **LOC (8) Cl.** **02-04**
 - (52) **U.S. Cl.** **D2/960; D2/953; D2/957**
 - (58) **Field of Classification Search** D2/897, D2/898, 902, 908, 916, 919, 947, 949, 951-961, D2/977; 36/3 B, 22 R, 24.5, 25 R, 28, 29, 36/32 R, 59 C, 103
- See application file for complete search history.

(56) **References Cited**

U.S. PATENT DOCUMENTS

1,974,543 A	9/1934	Reymond	12/142
2,046,217 A	6/1936	Strauss	36/72
2,079,237 A	5/1937	Allard	36/2
2,160,768 A	5/1939	Wasser	36/72
D120,316 S *	4/1940	Reeves	D2/959
2,229,406 A *	1/1941	Cutler	36/59 R
D126,598 S *	4/1941	Cox	D2/960
D126,599 S *	4/1941	Cox	D2/960
2,344,069 A	3/1944	Wasser	36/72
2,722,756 A *	11/1955	Ecclesine	36/59 C
3,091,871 A	6/1963	Tronche	36/72
3,175,310 A	3/1965	MacQuaid	
3,175,311 A	3/1965	MacQuaid	36/72
3,191,321 A	6/1965	Brutting	36/2.5
3,213,551 A	10/1965	Krauss	36/2.5
3,407,518 A	10/1968	MacQuaid et al.	36/72
3,525,165 A	8/1970	Randall, Jr.	36/2.5
3,561,142 A	2/1971	Streit, Sr. et al.	36/72
4,160,331 A *	7/1979	Bell	36/59 B
4,231,170 A	11/1980	Griswold	36/72
4,366,629 A	1/1983	Scherz	36/4

(Continued)

Primary Examiner—Celia A. Murphy
(74) *Attorney, Agent, or Firm*—St. Onge Steward Johnston & Reens LLC

(57) **CLAIM**

I claim the ornamental design for an outsole for a shoe, as shown and described in the drawings.

DESCRIPTION

FIG. 1 is a bottom view of an outsole for a shoe showing my new design;

FIG. 2 is a bottom view thereof; and

FIG. 3 is a right side view thereof;

FIG. 4 is a left side view thereof;

FIG. 5 is a front view thereof;

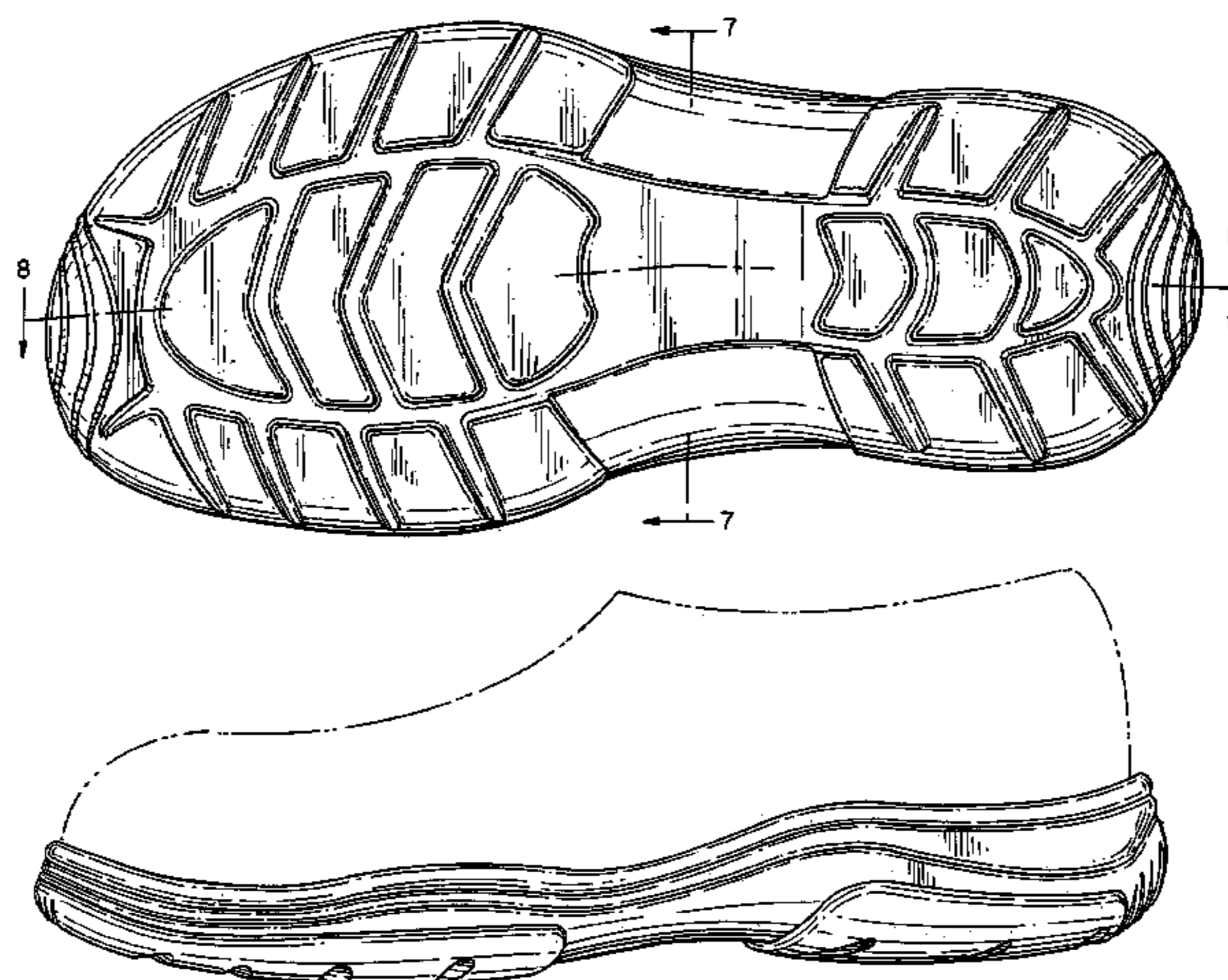
FIG. 6 is a rear view thereof;

FIG. 7 is a cross sectional view taken along line 7—7 shown in FIG. 2; and,

FIG. 8 is a cross sectional view taken along line 8—8 shown in FIG. 2.

The broken line showing a shoe upper as well as portions of the interior surfaces, in FIGS. 1 and 3-8, represent the portions of the design that form no part of the claim.

1 Claim, 6 Drawing Sheets



US D554,840 S

Page 2

U.S. PATENT DOCUMENTS

5,775,005	A	*	7/1998	McClelland	36/31		
D398,144	S	*	9/1998	Egelja	D2/960		
D402,095	S	*	12/1998	Cretinon	D2/957		
D410,966	S	*	6/1999	Cretinon	D2/960		
D439,032	S	*	3/2001	Kung	D2/960		
D449,428	S	*	10/2001	McClaskie	D2/957		
D470,297	S	*	2/2003	Wilson	D2/960		
D491,717	S	*	6/2004	Burg et al.	D2/960		
D496,525	S	*	9/2004	Dykstra	D2/960		
D496,776	S	*	10/2004	Wu	D2/953		
D497,469	S	*	10/2004	Roulo	D2/957		
D501,708	S	*	2/2005	Andrews-Kramer	D2/960		
D504,205	S	*	4/2005	Andrews-Kramer	D2/960		
D506,306	S	*	6/2005	Teague	D2/960		
D523,614	S	*	6/2006	Mitchell	D2/960		
D529,265	S	*	10/2006	Corbi Rico	D2/957		
D529,697	S	*	10/2006	Earle	D2/960		

* cited by examiner

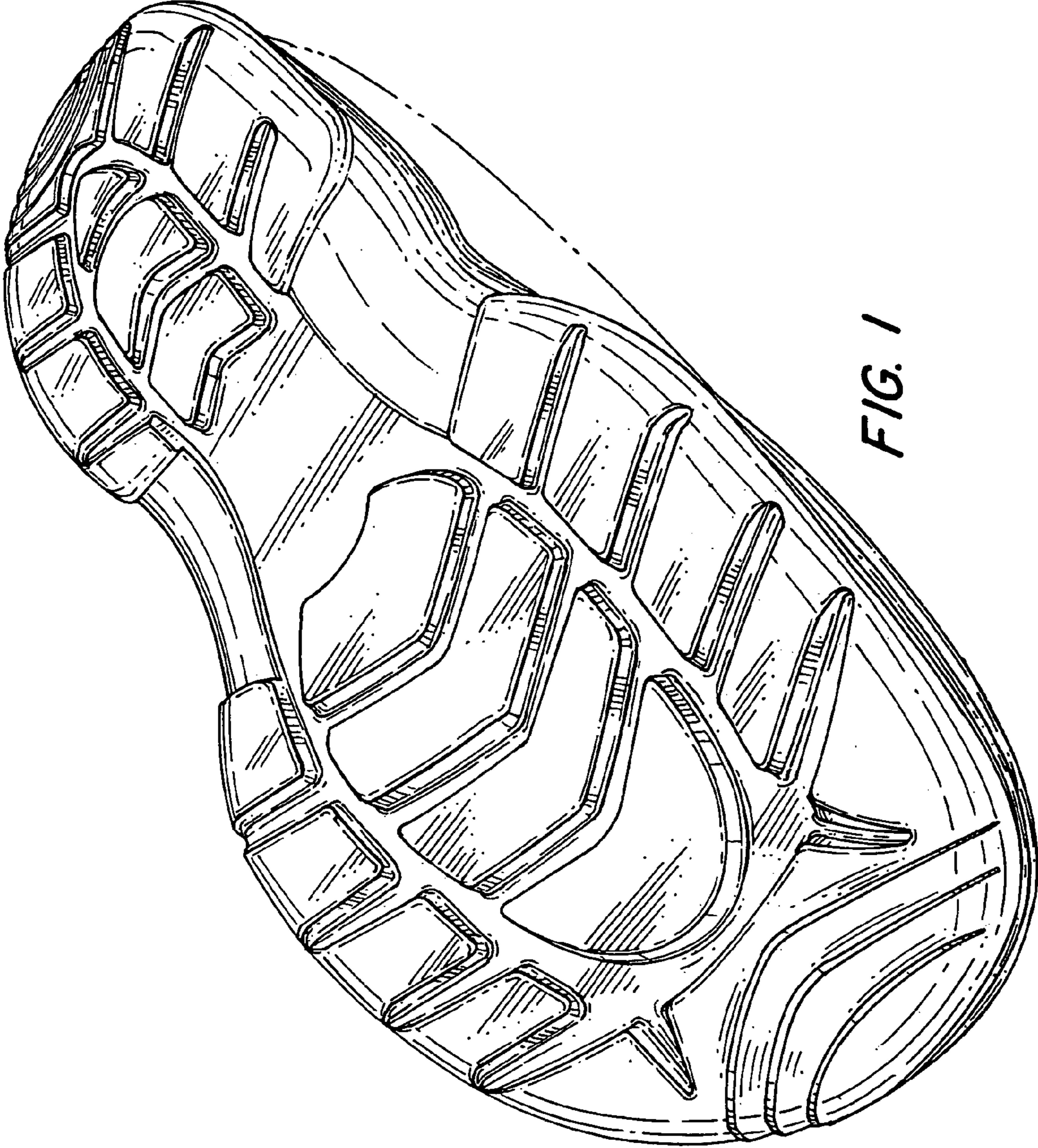


FIG. 1

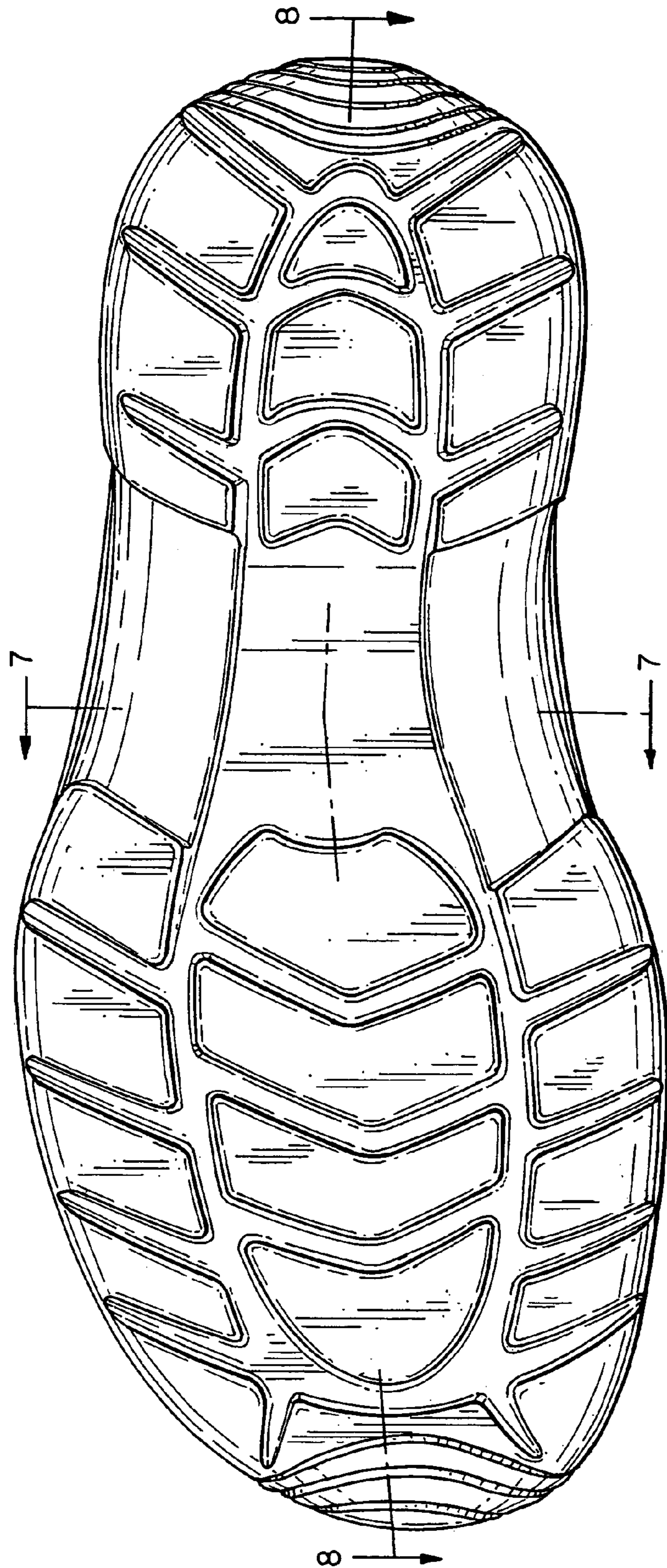


FIG. 2

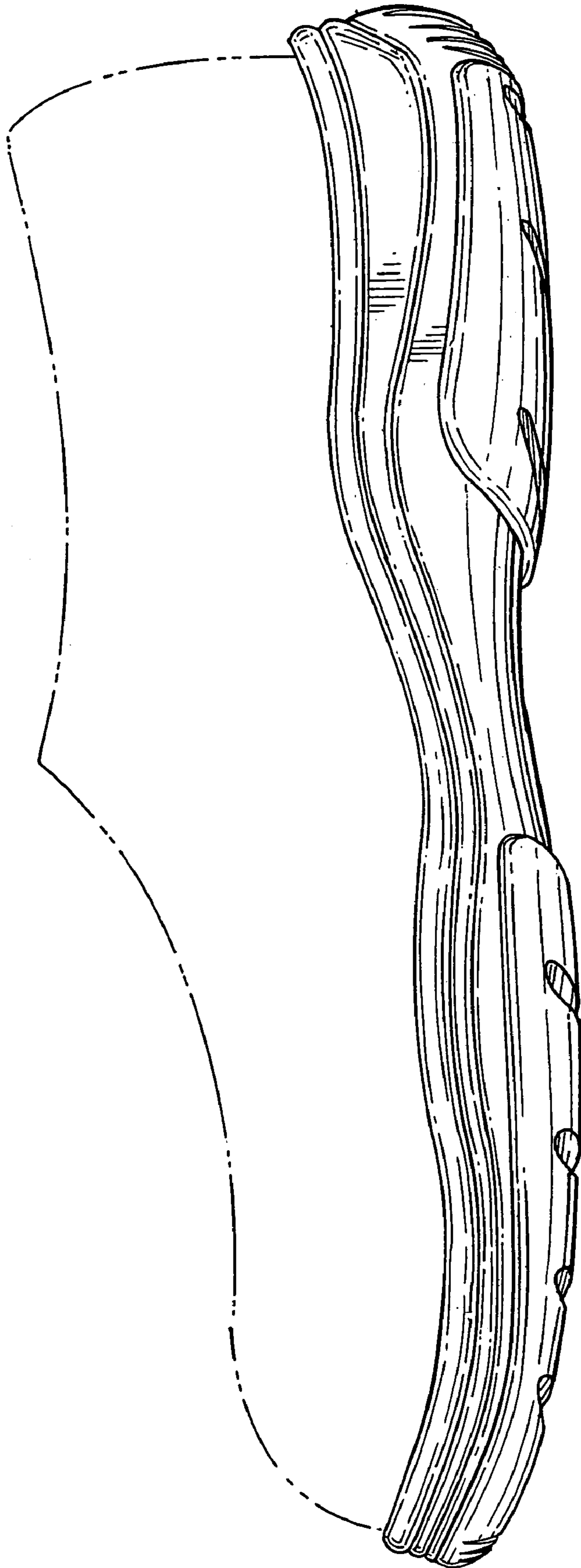


FIG. 3

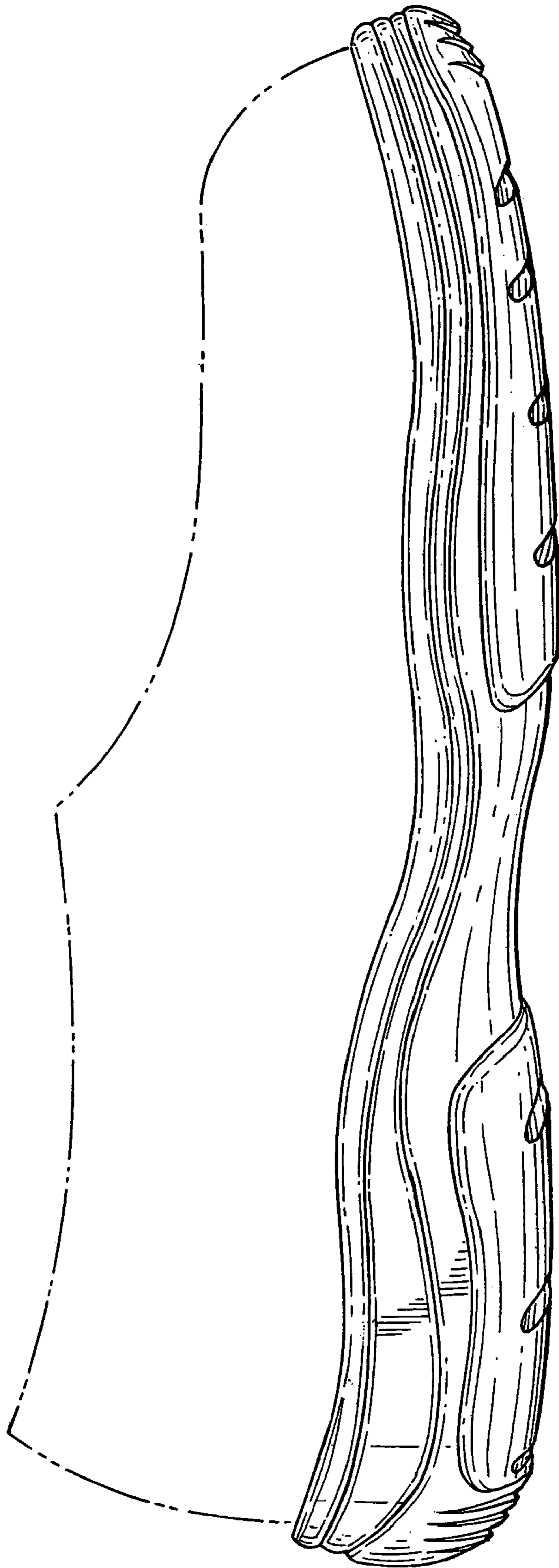


FIG. 4

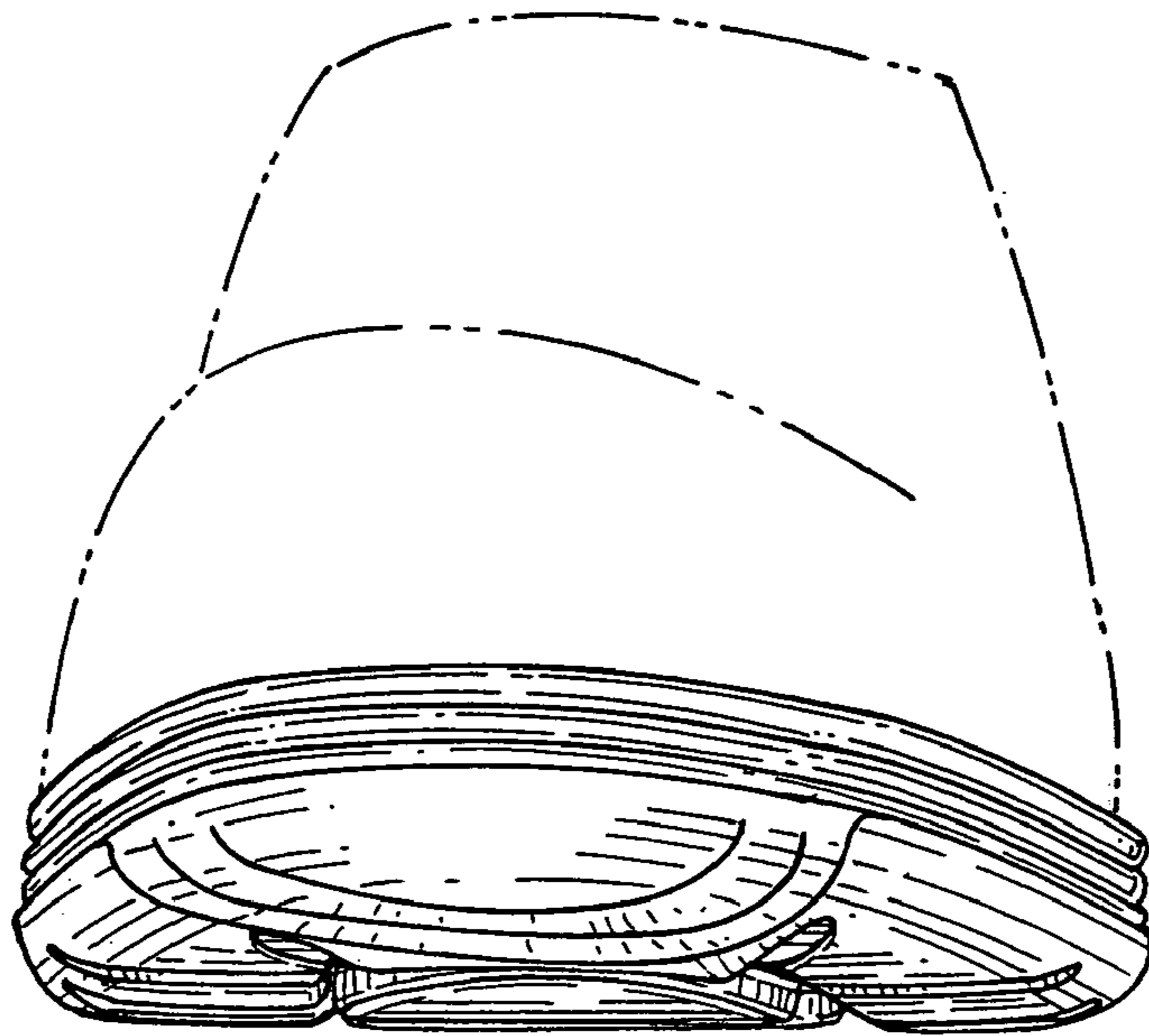


FIG. 5

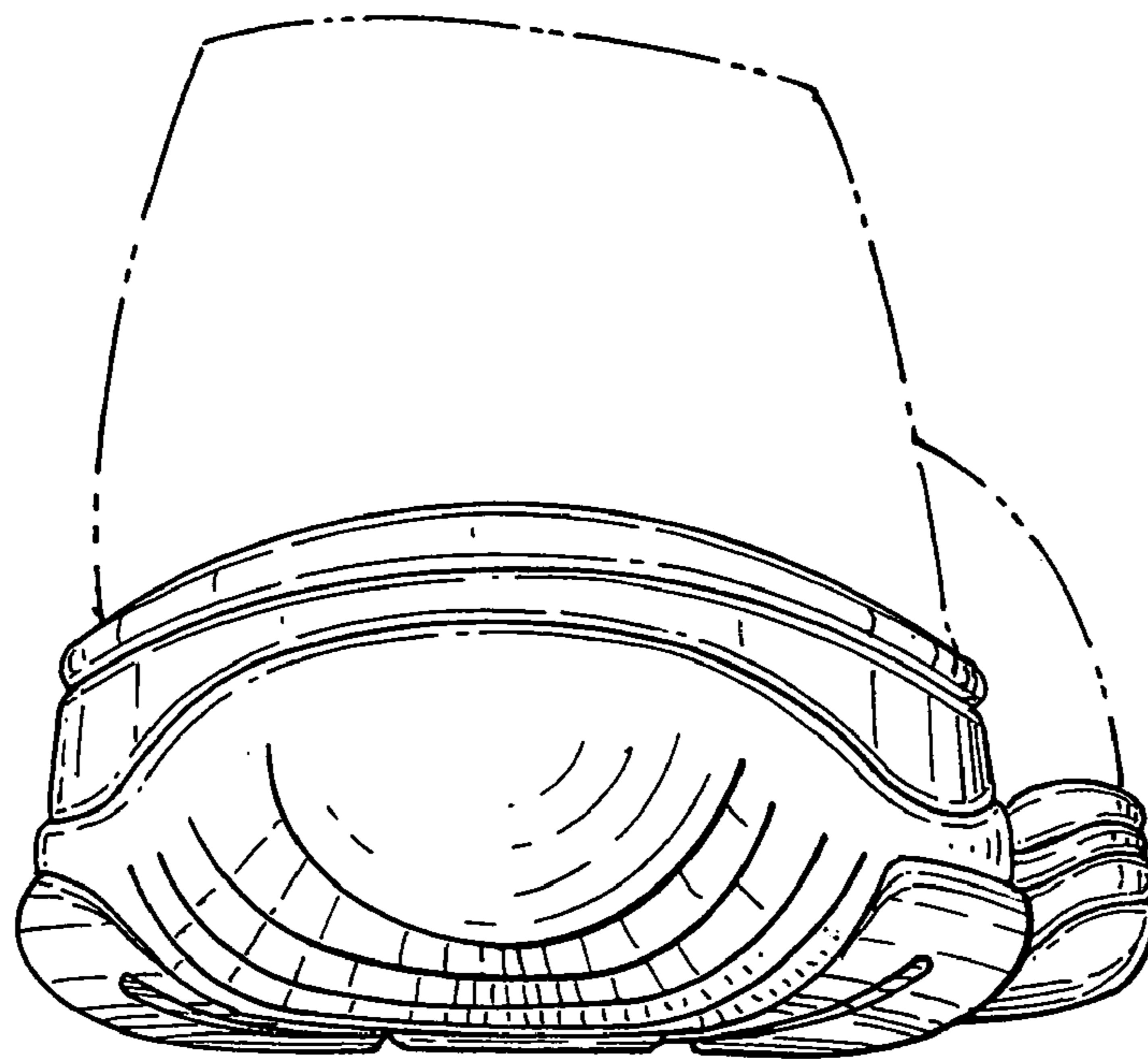


FIG. 6

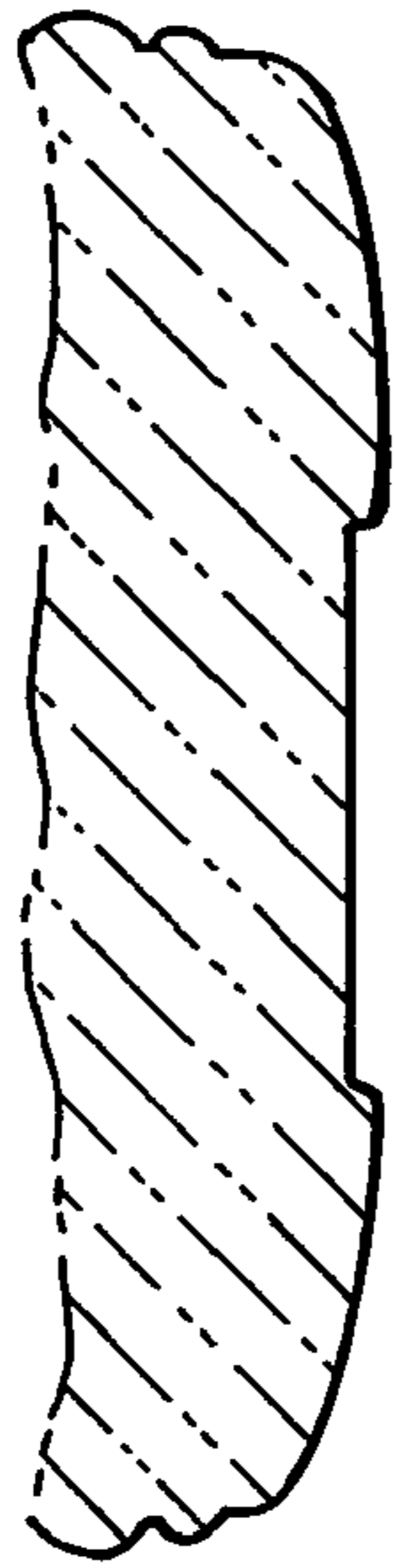


FIG. 7

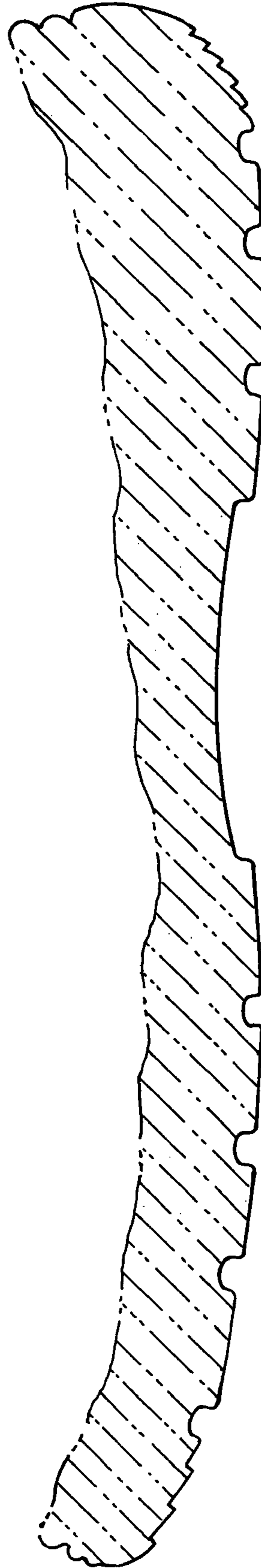


FIG. 8