



US00D554823S

(12) **United States Design Patent**
Jones

(10) **Patent No.:** **US D554,823 S**
(45) **Date of Patent:** **** Nov. 6, 2007**

(54) **COMBINED GARBAGE AND RECYCLING
DUAL CHAMBER CONTAINER**

(76) Inventor: **Allen G. Jones**, 5824 Livingston Ct.,
Stockton, CA (US) 95210

(**) Term: **14 Years**

(21) Appl. No.: **29/286,116**

(22) Filed: **Apr. 23, 2007**

Related U.S. Application Data

(62) Division of application No. 29/259,509, filed on May
9, 2006, now Pat. No. Des. 544,169.

(51) **LOC (8) Cl.** **09-09**

(52) **U.S. Cl.** **D34/7**

(58) **Field of Classification Search** D34/1-11;
220/908-913, 675; 280/47.26

See application file for complete search history.

(56) **References Cited**

U.S. PATENT DOCUMENTS

- 2,572,486 A * 10/1951 Isaac 220/815
- 2,895,782 A * 7/1959 Fragale 312/290
- D214,644 S * 7/1969 Marls D34/5
- D291,739 S * 9/1987 Orłowski D34/5
- D303,307 S * 9/1989 Juergens D34/19
- D313,491 S * 1/1991 Edelhoff et al. D34/5
- D319,519 S * 8/1991 Keir D34/7
- D323,912 S * 2/1992 Delmerico D34/5
- D324,595 S * 3/1992 Beese et al. D34/5

- D327,756 S * 7/1992 Klein et al. D34/1
- D330,618 S * 10/1992 Browning et al. D34/7
- D348,964 S * 7/1994 Roy et al. D34/7
- D357,779 S * 4/1995 Breen D34/1
- D401,727 S * 11/1998 Weideman et al. D34/25
- D411,784 S * 7/1999 Houry D34/19
- D423,167 S * 4/2000 Welch D34/7
- D478,197 S * 8/2003 Raghunathan D34/5

* cited by examiner

Primary Examiner—Cynthia E Ramirez

(74) *Attorney, Agent, or Firm*—R. Michael West

(57) **CLAIM**

The ornamental design for a combined garbage and recycling dual chamber container, as shown and described.

DESCRIPTION

FIG. 1 is a left front perspective of a combined garbage and recycling dual chamber container, showing my new design;

FIG. 2 is an elevational view of the left hand side, thereof, the elevational view of the right hand side being a mirror image, thereof;

FIG. 3 is a front elevational view, thereof;

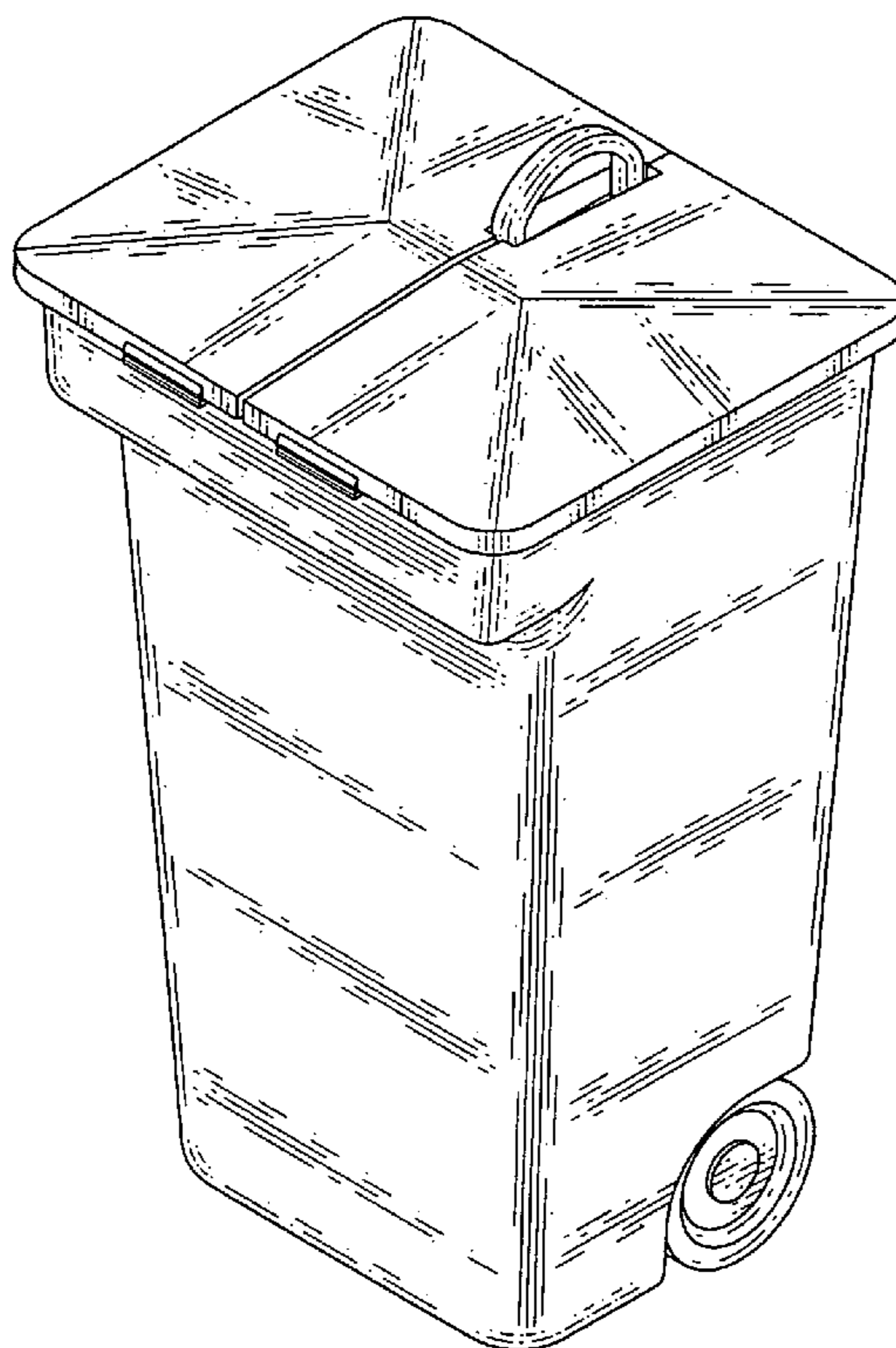
FIG. 4 is a rear elevational view, thereof;

FIG. 5 is a top plan view, thereof;

FIG. 6 is a bottom plan view, thereof; and,

FIG. 7 is a perspective view as in FIG. 1, but showing the chamber covers pivoted upwardly into an alternate position.

1 Claim, 2 Drawing Sheets



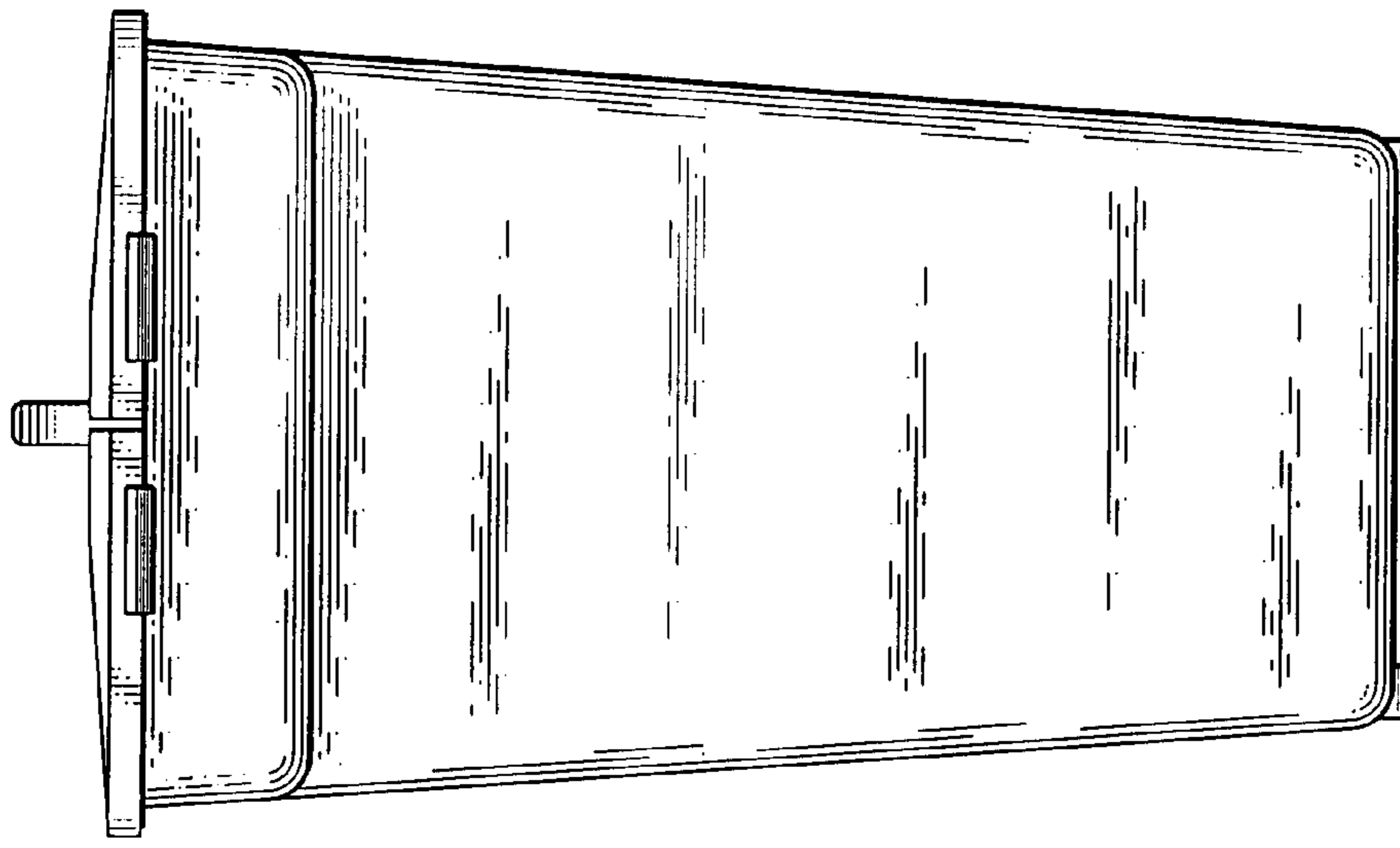


Fig. 3

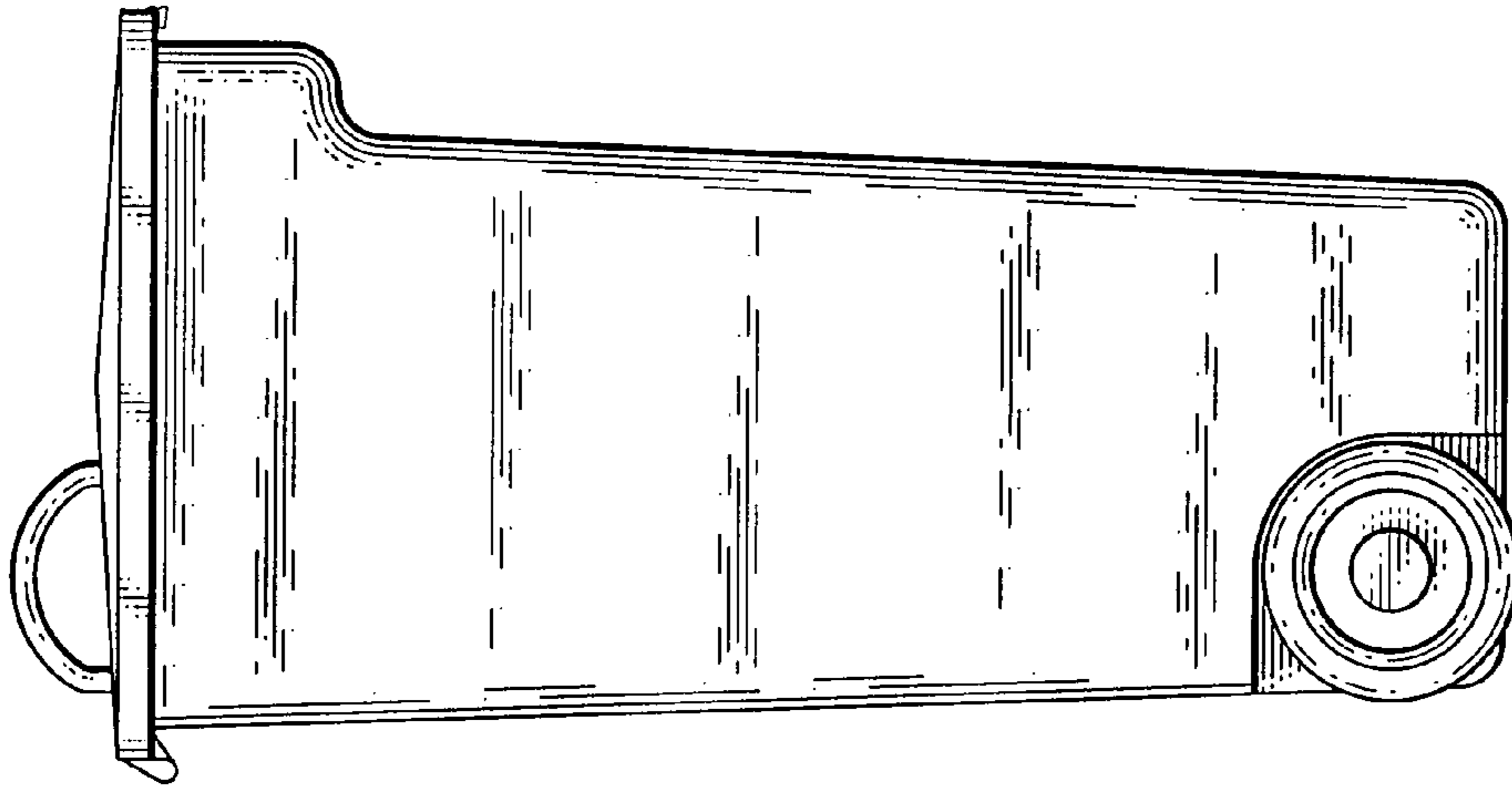


Fig. 2

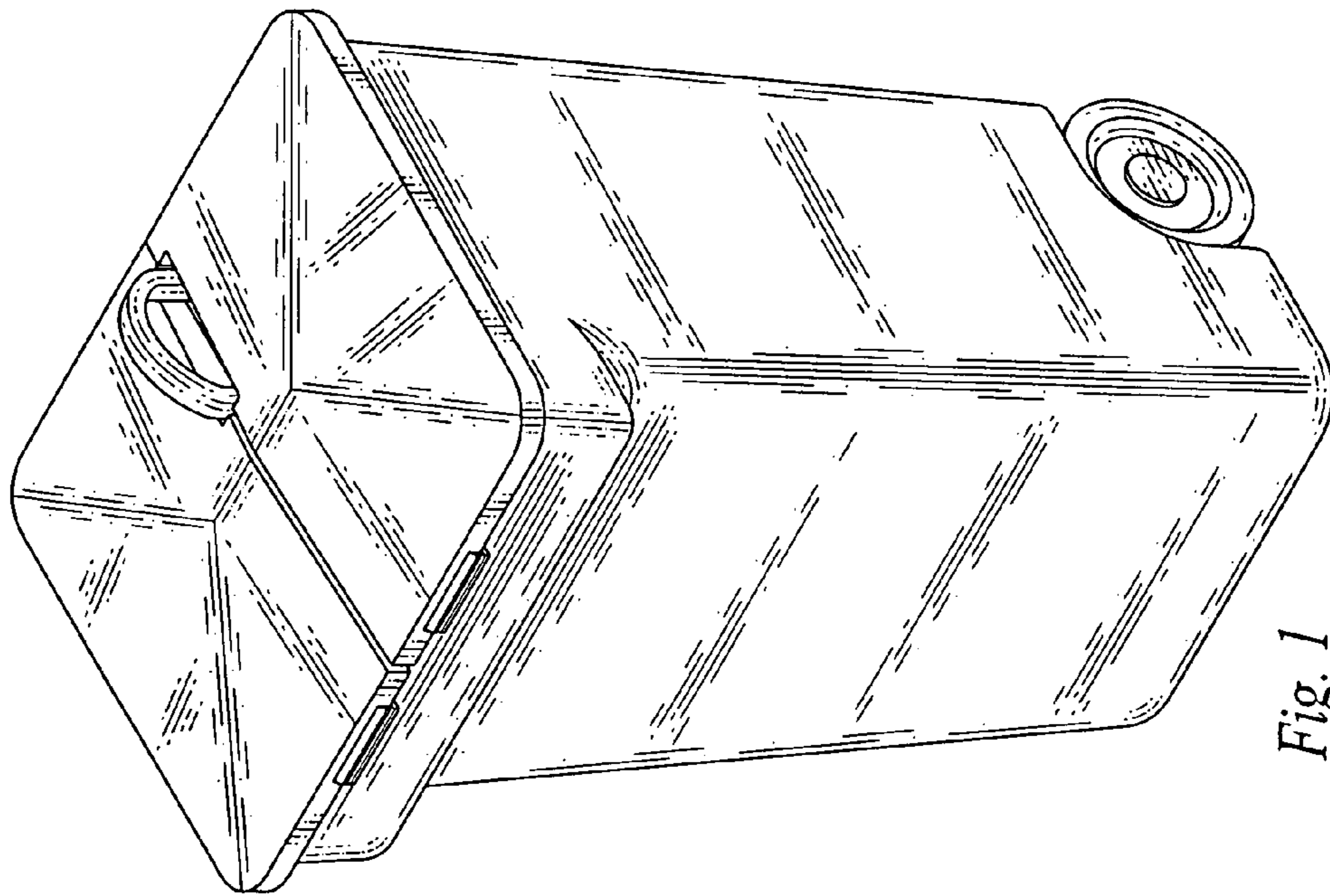


Fig. 1

