



US00D554819S

(12) **United States Design Patent**
Shah

(10) **Patent No.:** **US D554,819 S**

(45) **Date of Patent:** **** Nov. 6, 2007**

(54) **DISH RACK**

(75) Inventor: **Harsha Shah**, Mississauga (CA)

(73) Assignee: **Ni-Met Home & Garden Products Inc.**, Mississauga, Ontario (CA)

(**) Term: **14 Years**

(21) Appl. No.: **29/279,744**

(22) Filed: **May 7, 2007**

(51) **LOC (8) Cl.** **07-05**

(52) **U.S. Cl.** **D32/55**

(58) **Field of Classification Search** D32/55-57;
D6/566-567; D7/667; 220/485, 572; 211/41.3,
211/88.01, 86.01; 134/135; 4/637, 656
See application file for complete search history.

(56) **References Cited**

U.S. PATENT DOCUMENTS

3,433,363	A	3/1969	Clearman et al.	
4,726,475	A	2/1988	Ferenzi	
4,927,033	A	5/1990	Patera et al.	
4,974,806	A	12/1990	Matern	
D353,922	S *	12/1994	Drake	D32/55
D353,923	S *	12/1994	Drake	D32/55
D363,578	S	10/1995	Brightbill et al.	
5,588,539	A	12/1996	Belden, Jr. et al.	
D408,603	S *	4/1999	Haley	D32/55
6,021,906	A	2/2000	Heien	
6,109,455	A	8/2000	Shroeder	
D439,716	S	3/2001	Wright	
6,364,130	B2	4/2002	Wright	
6,502,704	B2	1/2003	Martorella et al.	

D518,615	S	4/2006	Yang et al.	
D518,936	S	4/2006	Yang et al.	
D520,699	S *	5/2006	Yang et al.	D32/55
2005/0167374	A1	8/2005	Yang et al.	
2005/0236344	A1	10/2005	Yang et al.	
2005/0269273	A1	12/2005	Yang et al.	
2006/0137725	A1	6/2006	Yang et al.	

OTHER PUBLICATIONS

DSC00631—Image of a Flip-Top Dish Rack from a Simplehuman Box.

DSC00632—Image of a Flip-Top Dish Rack from a Simplehuman Package.

* cited by examiner

Primary Examiner—Pamela J. Burgess

(74) *Attorney, Agent, or Firm*—Fay Sharpe LLP

(57) **CLAIM**

The ornamental design for a dish rack, as shown and described.

DESCRIPTION

FIG. 1 is a front perspective view of a dish rack in accordance with my design;

FIG. 2 is a top view thereof;

FIG. 3 is a front view thereof;

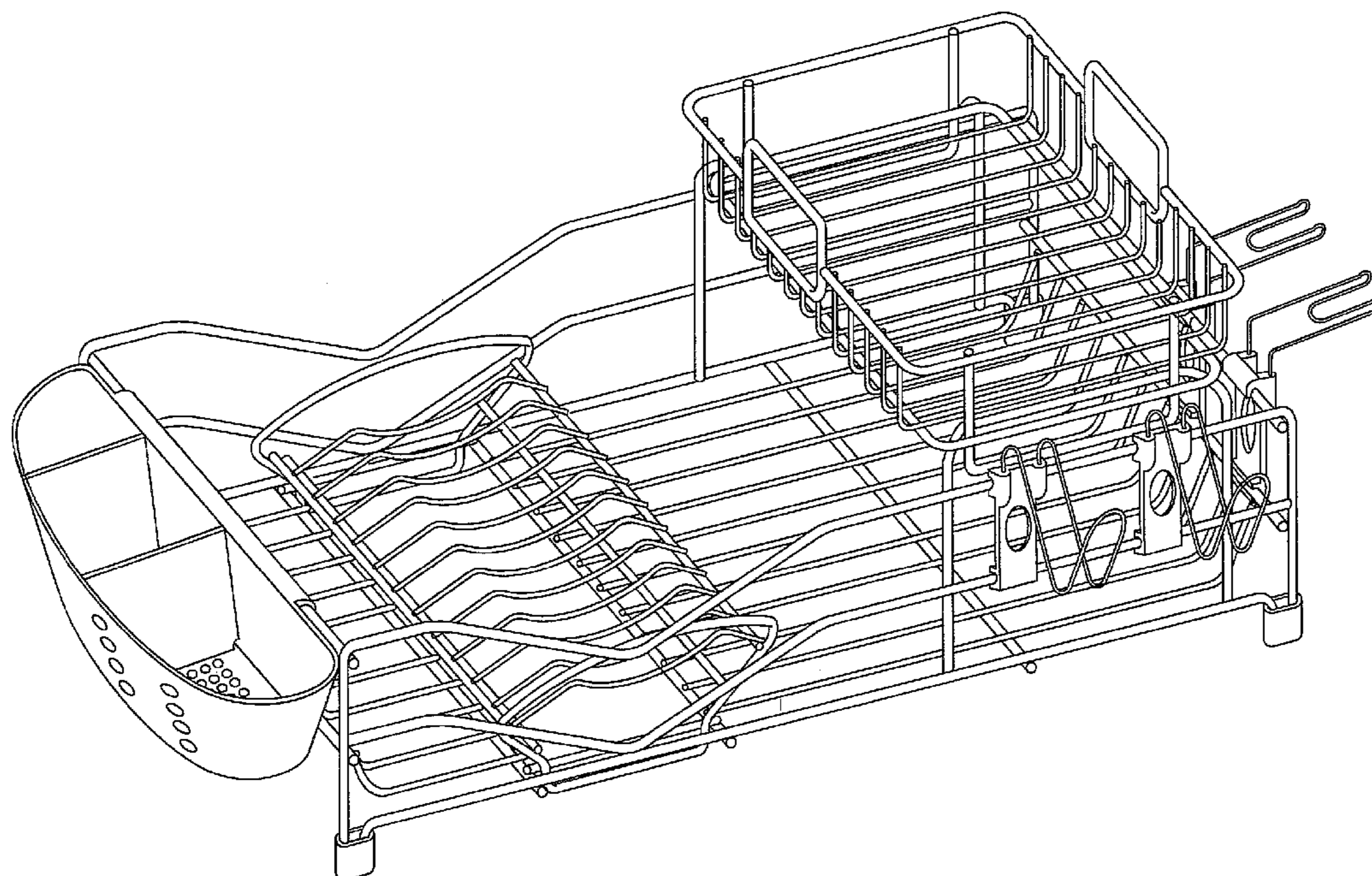
FIG. 4 is a rear view thereof;

FIG. 5 is a left side view thereof;

FIG. 6 is a right side view thereof; and,

FIG. 7 is a bottom view thereof.

1 Claim, 6 Drawing Sheets



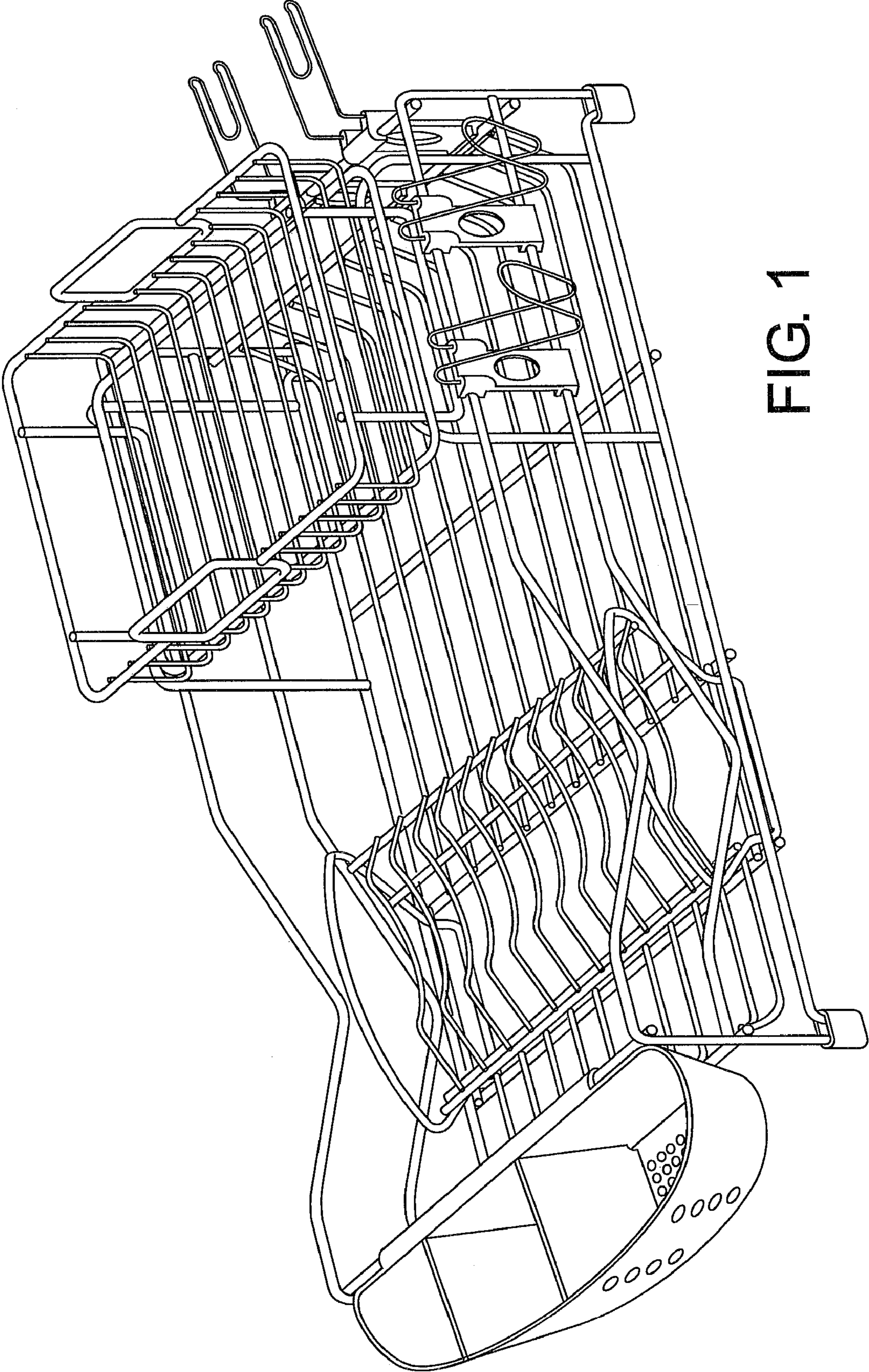


FIG. 1

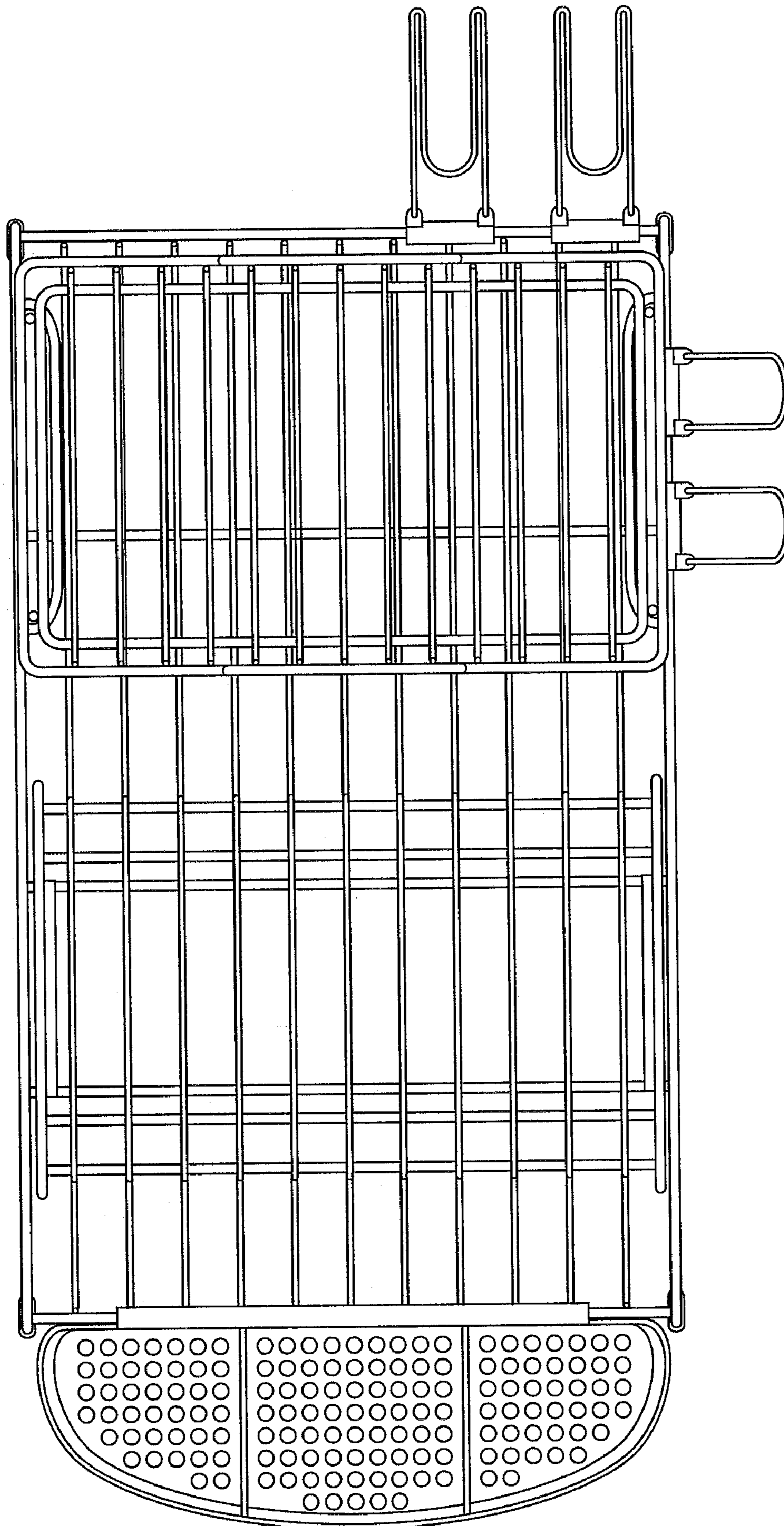


FIG. 2

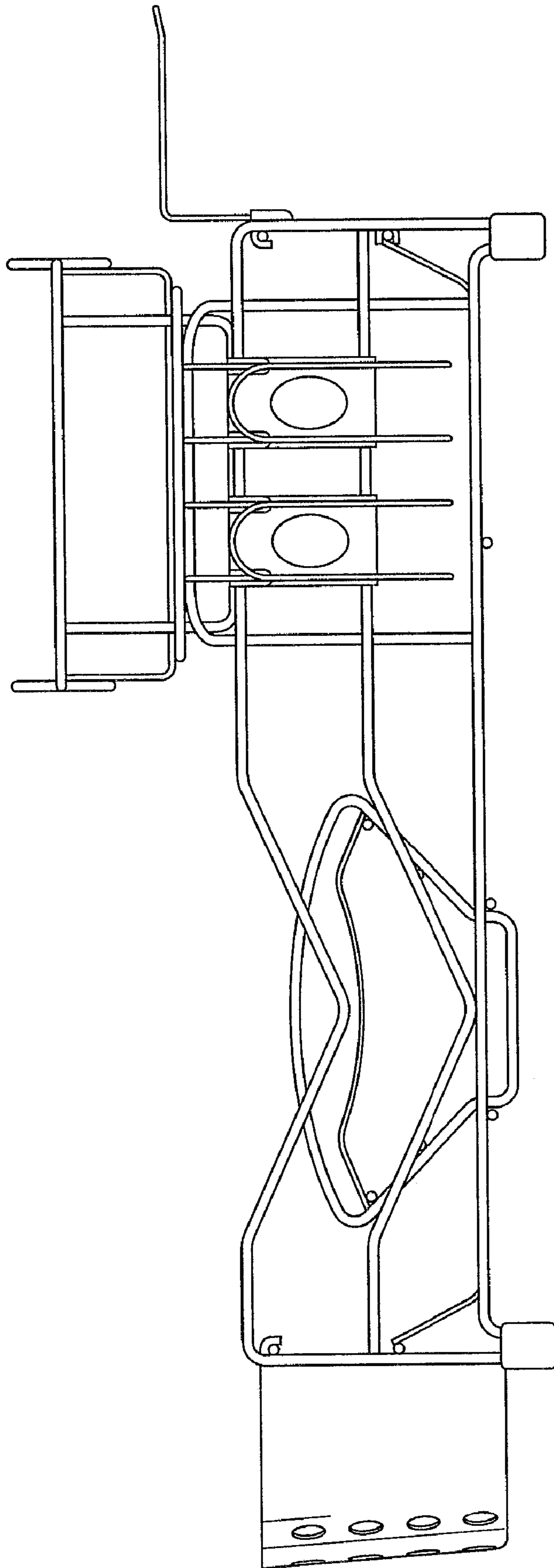


FIG. 3

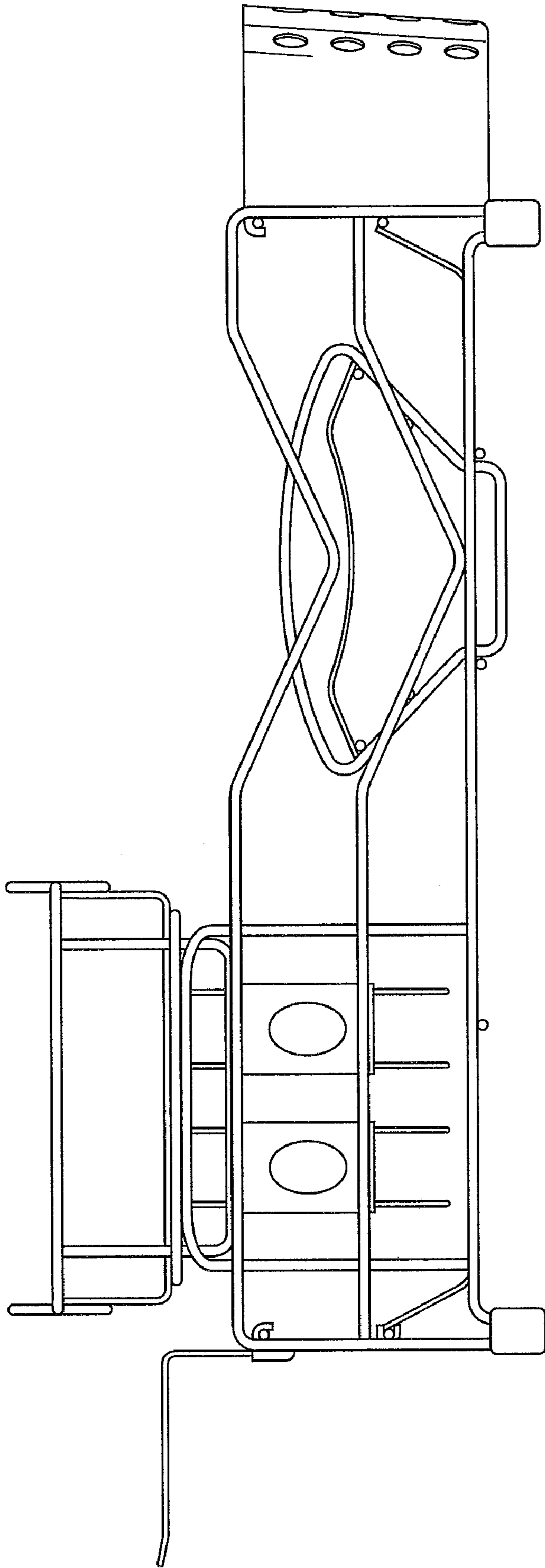


FIG. 4

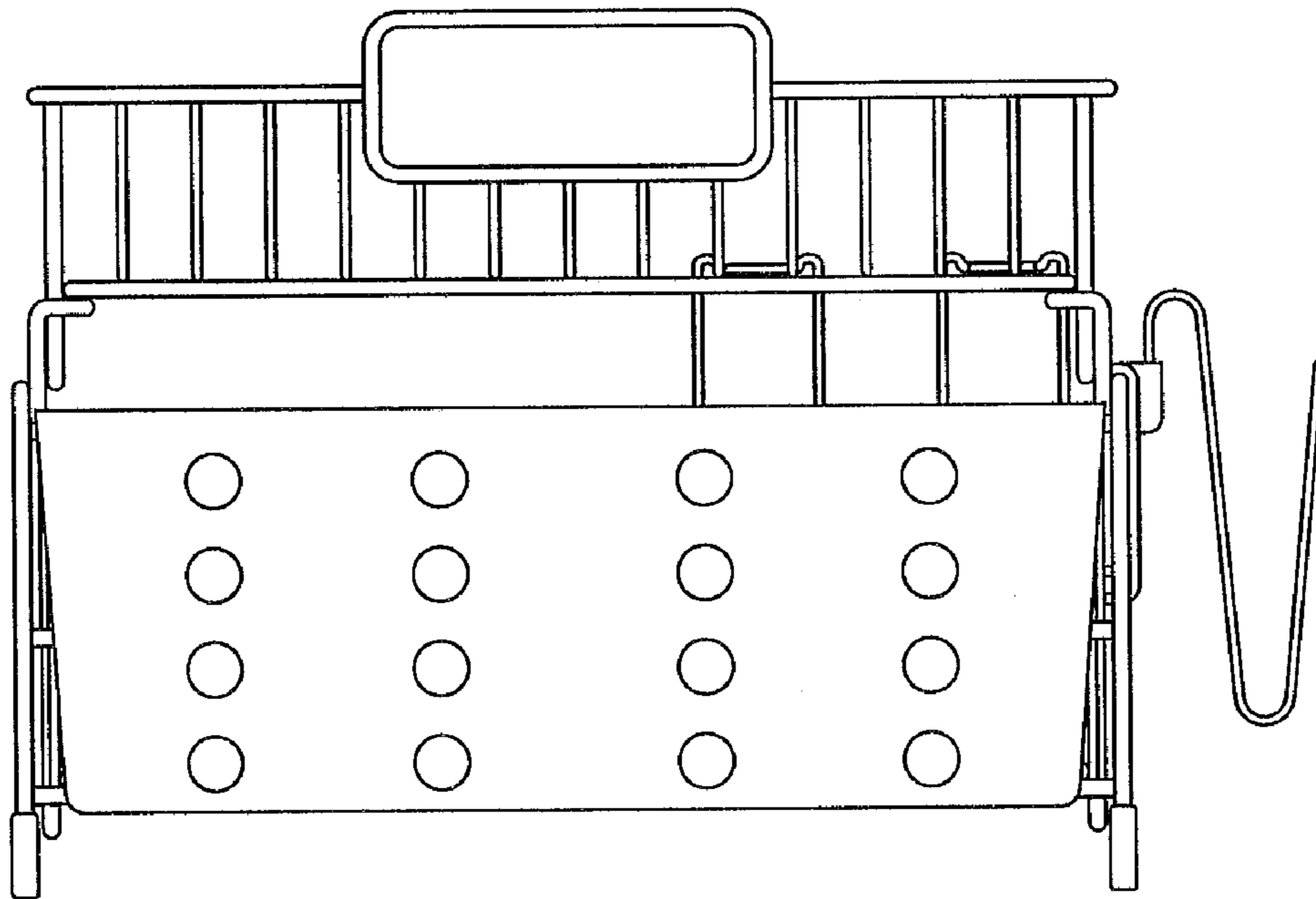


FIG. 5

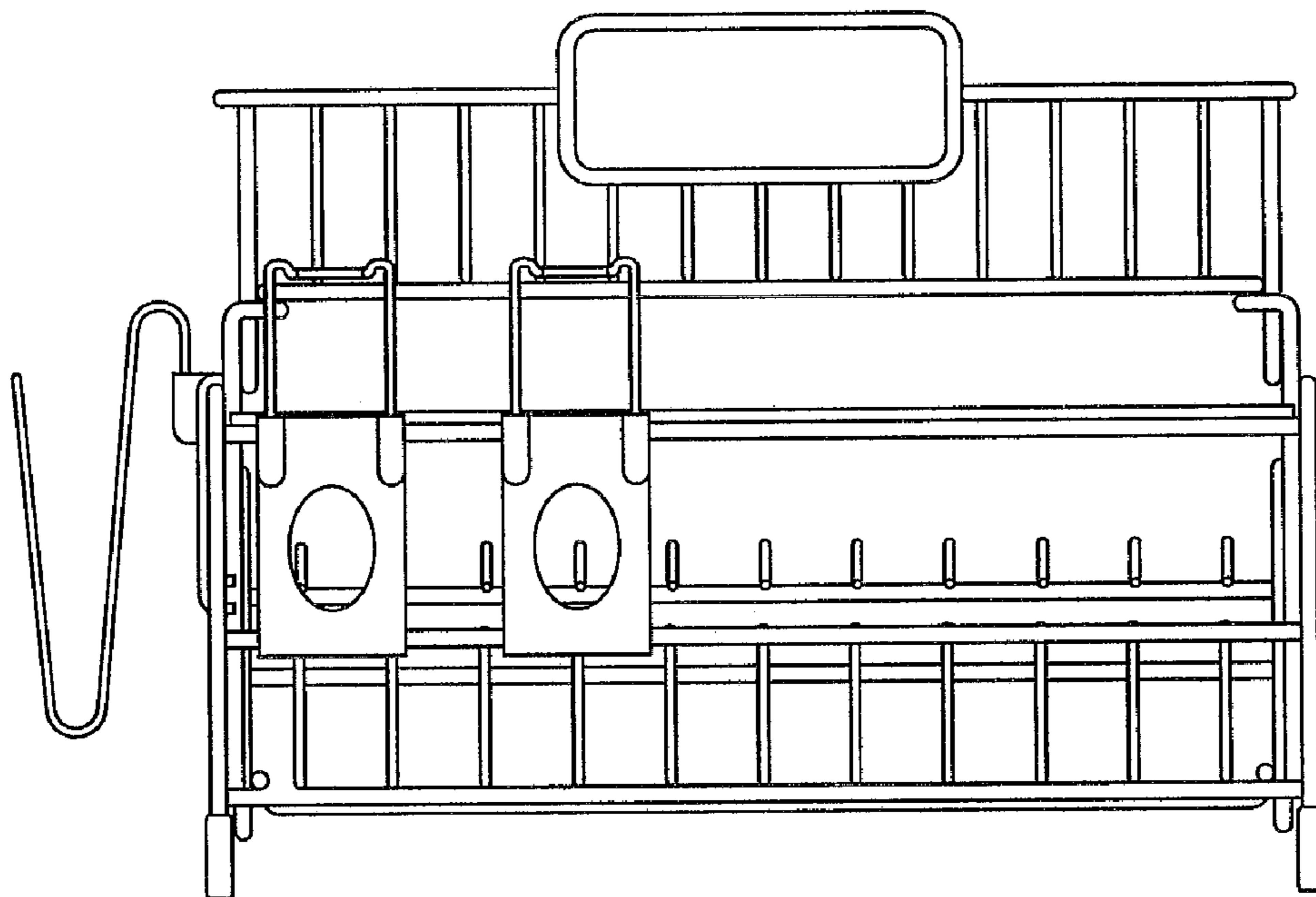


FIG. 6

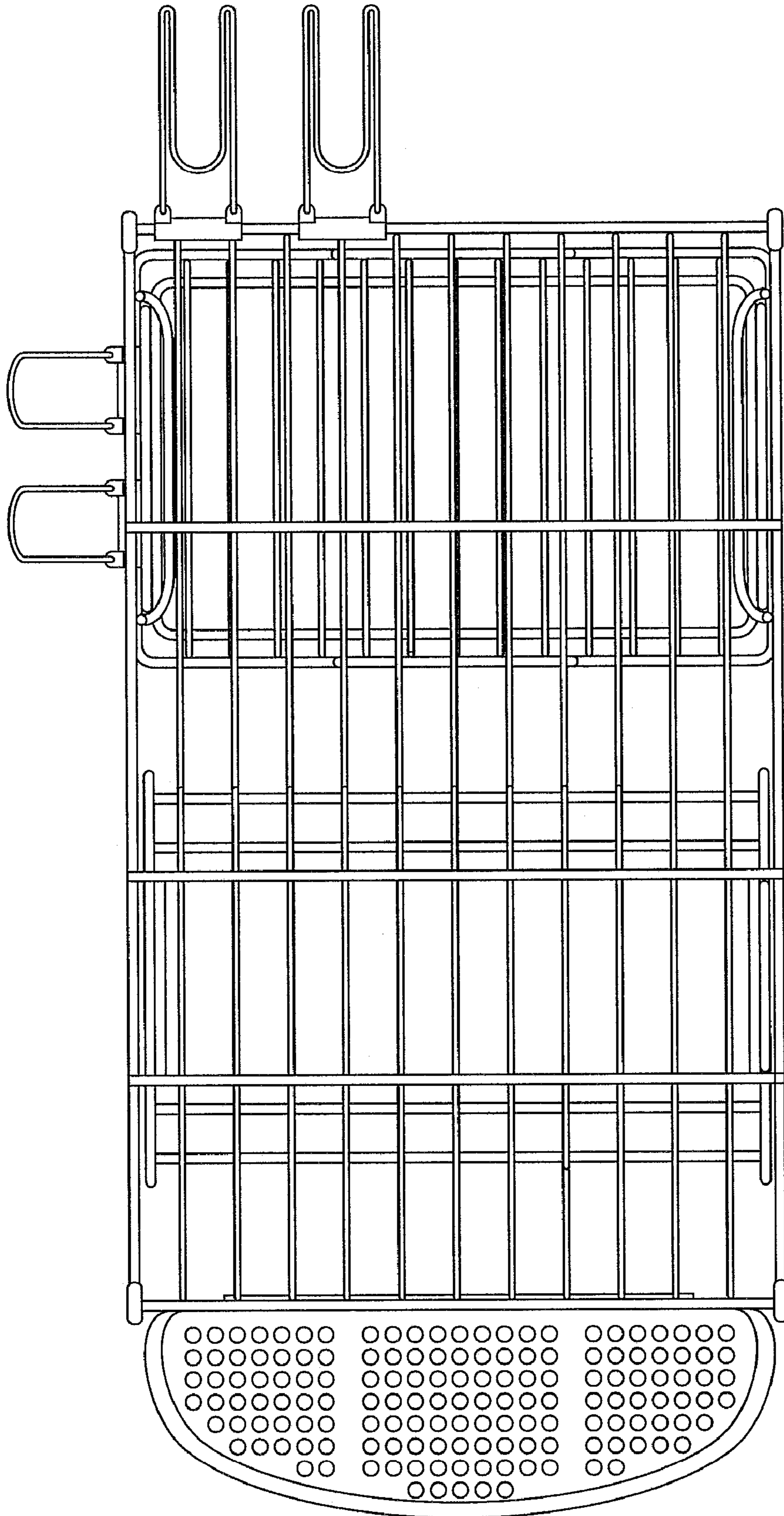


FIG. 7