



US00D554818S

(12) **United States Design Patent**
Murray

(10) **Patent No.:** **US D554,818 S**

(45) **Date of Patent:** **** Nov. 6, 2007**

(54) **LARGE DISHRACK**

5,158,184 A * 10/1992 Craft et al. 211/41.3

(75) Inventor: **James Patrick Murray**, Northport, NY
(US)

* cited by examiner

(73) Assignee: **Bed Bath & Beyond Procurement Co. Inc.**, Farmingdale, NY (US)

Primary Examiner—Pamela J. Burgess
(74) *Attorney, Agent, or Firm*—Lerner, David, Littenberg, Krumholz & Mentlik, LLP

(**) Term: **14 Years**

(57) **CLAIM**

(21) Appl. No.: **29/273,135**

The ornamental design for a large dishrack, as shown and described.

(22) Filed: **Feb. 27, 2007**

DESCRIPTION

(51) **LOC (8) Cl.** **07-05**

(52) **U.S. Cl.** **D32/55**

(58) **Field of Classification Search** D32/55-59;
D3/304-306, 312, 314; D6/566-567; D7/667;
220/485, 487-488; 211/88.01, 86.01, 41.2-41.4,
211/41.8-41.9, 85.25

FIG. 1 is a perspective view of a large dishrack in accordance with the present invention, the broken lines form no part of the claimed design and are intended to show an environmental structure;

See application file for complete search history.

FIG. 2 is a front elevational view of the large dishrack shown in FIG. 1, with the rear elevational view being the mirror image thereof;

(56) **References Cited**

U.S. PATENT DOCUMENTS

- D165,510 S * 12/1951 Watral D26/55
- D174,073 S * 2/1955 Bliss D32/55
- 2,885,087 A * 5/1959 Bliss 211/41.4
- D189,311 S * 11/1960 Chulstoffersen D32/55
- 3,032,203 A * 5/1962 Romero 211/41.4
- D194,056 S * 11/1962 Chapman D32/55
- 3,169,641 A * 2/1965 Chapman 211/74
- D271,340 S * 11/1983 Taylor D32/55

FIG. 3 is a right side elevational view of the large dishrack shown in FIG. 1;

FIG. 4 is a left side elevational view of the large dishrack shown in FIG. 1;

FIG. 5 is a top plan view of the large dishrack shown in FIG. 1; and,

FIG. 6 is a bottom plan view of the large dishrack shown in FIG. 1.

1 Claim, 5 Drawing Sheets

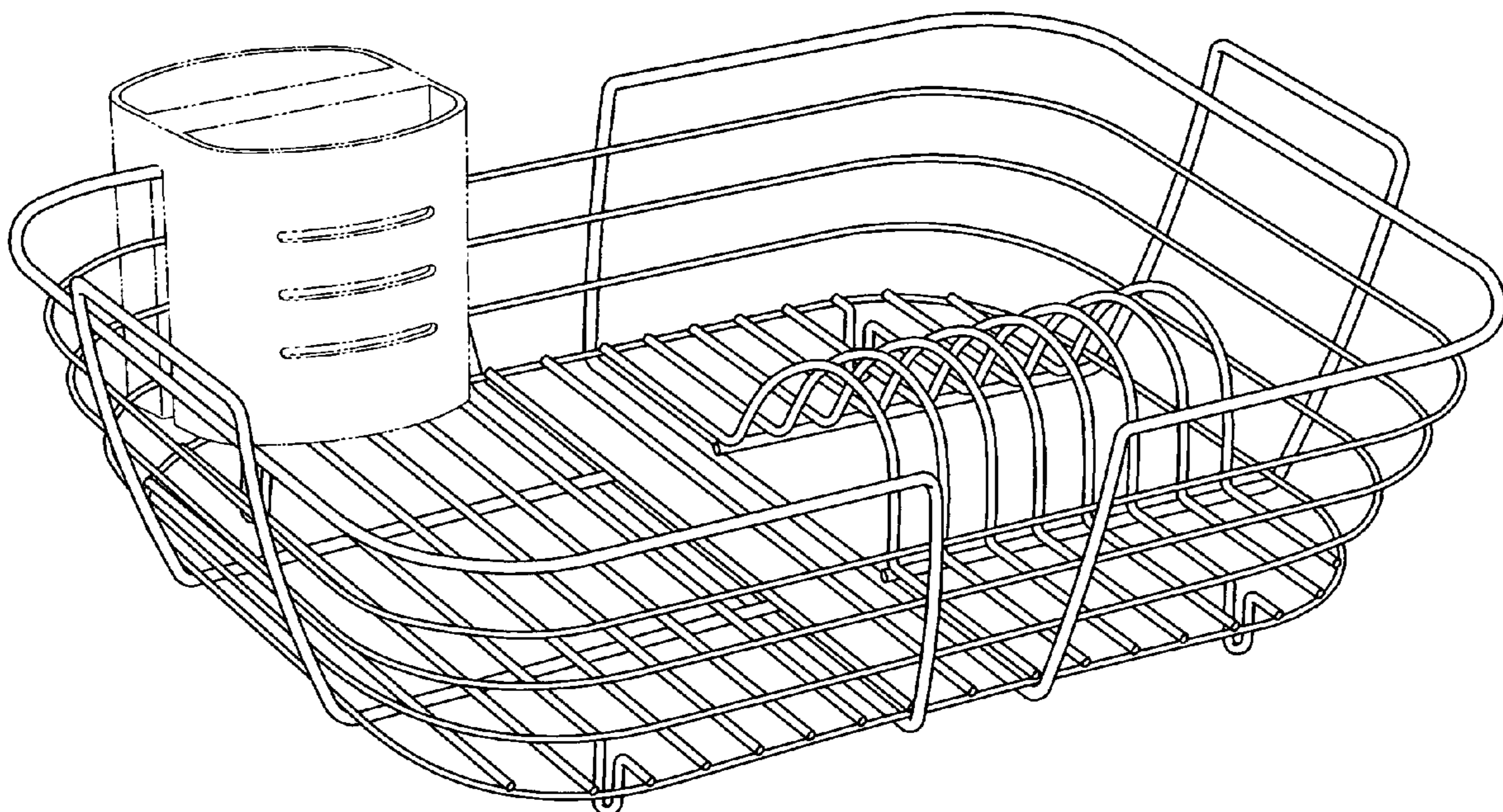


FIG. 1

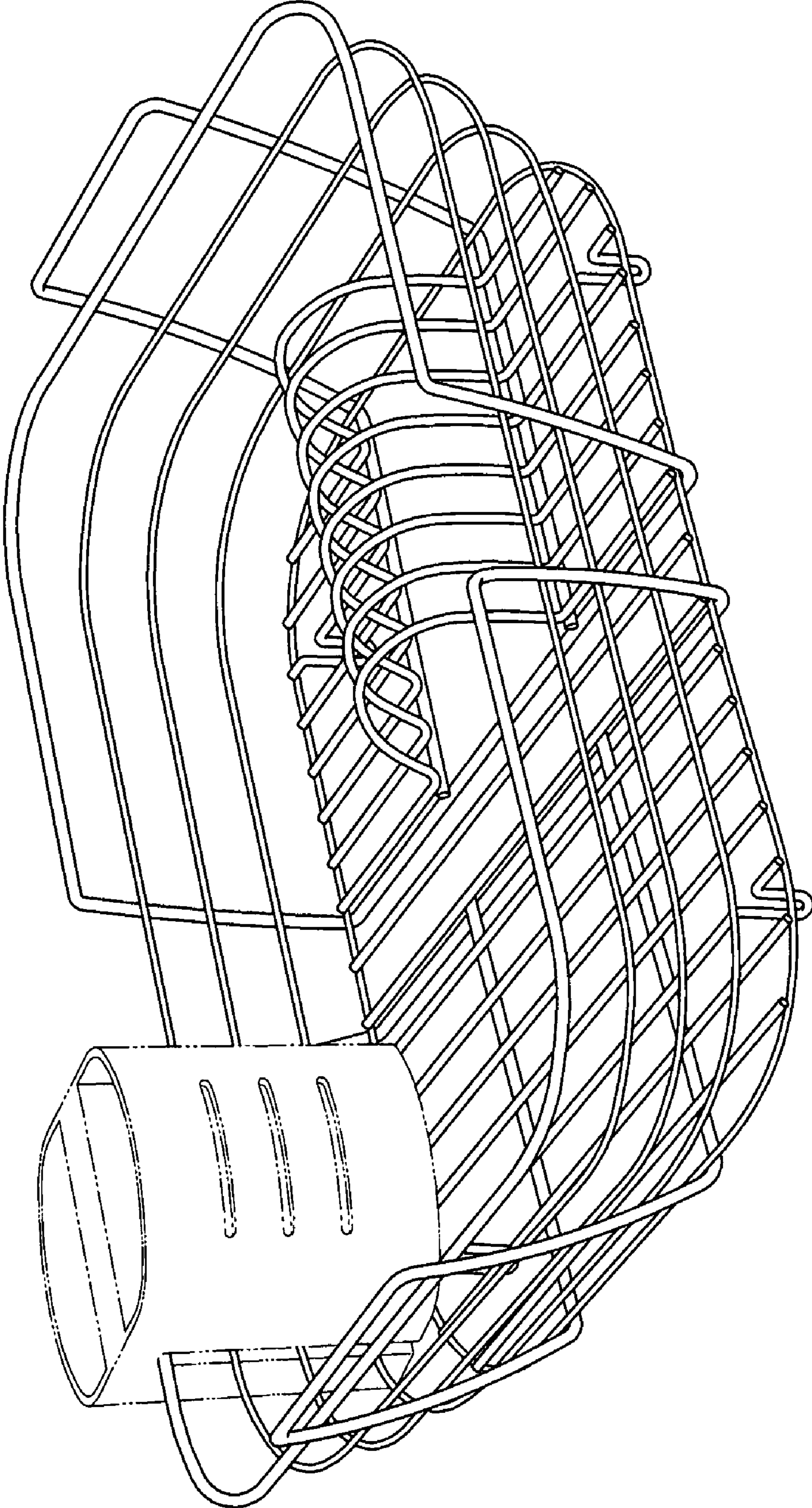


FIG. 2

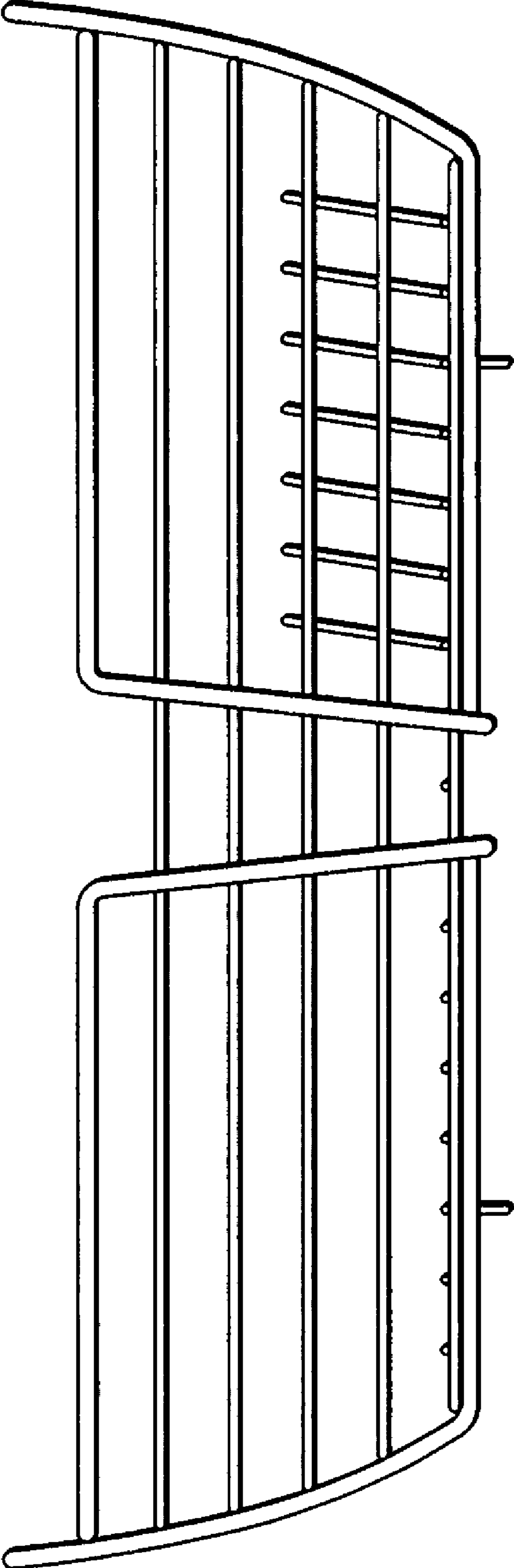


FIG. 3

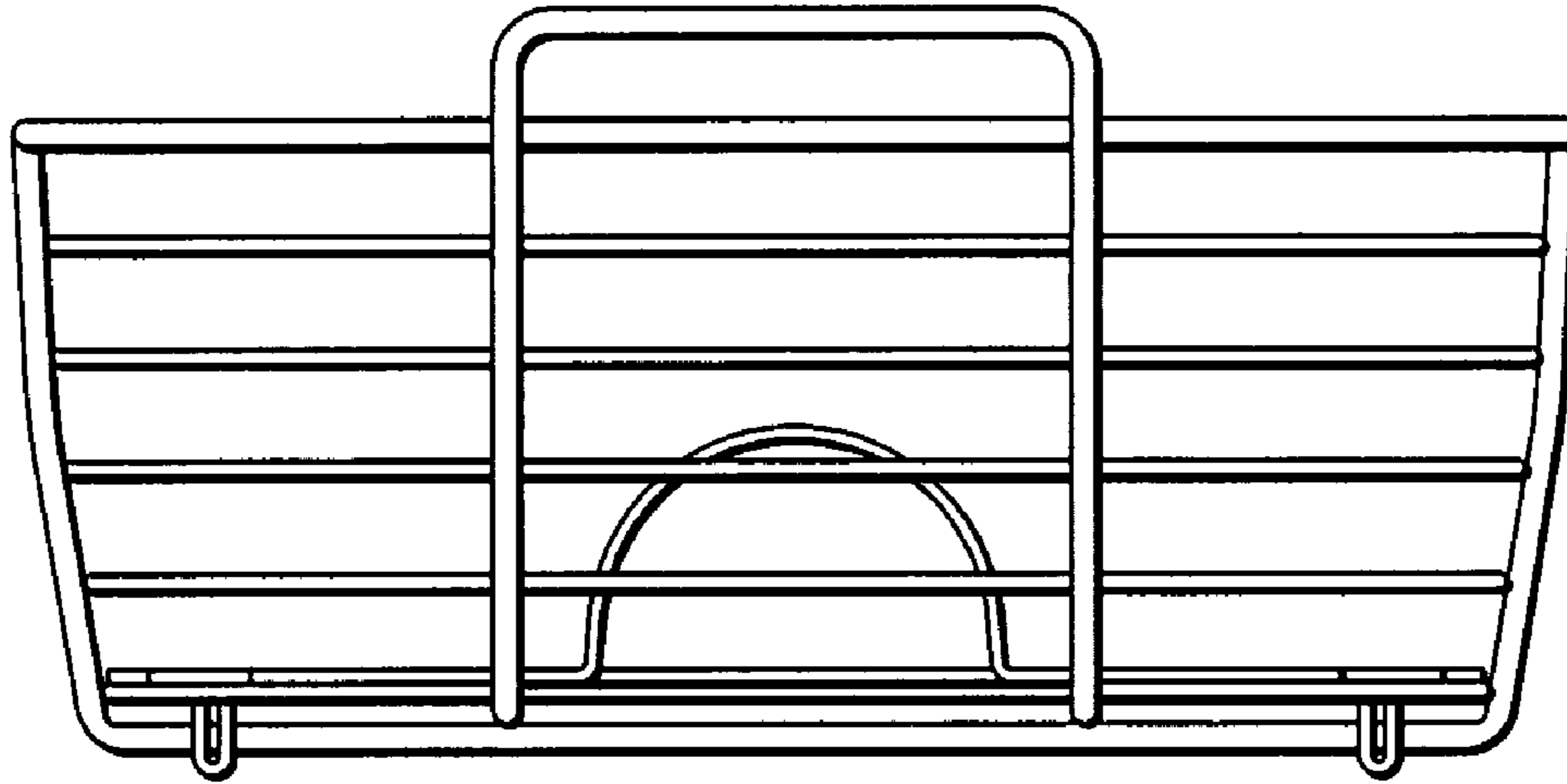


FIG. 4

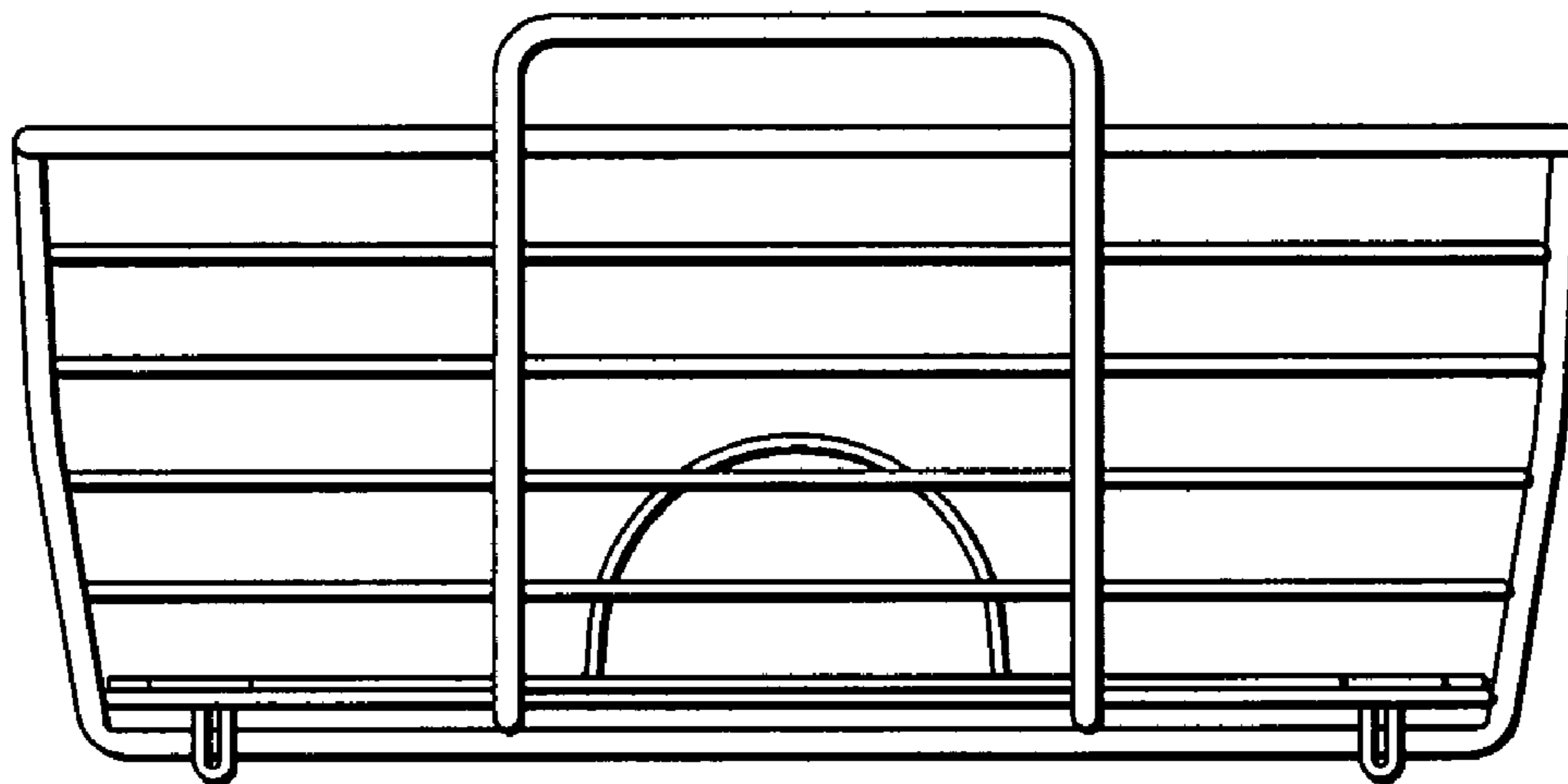


FIG. 5

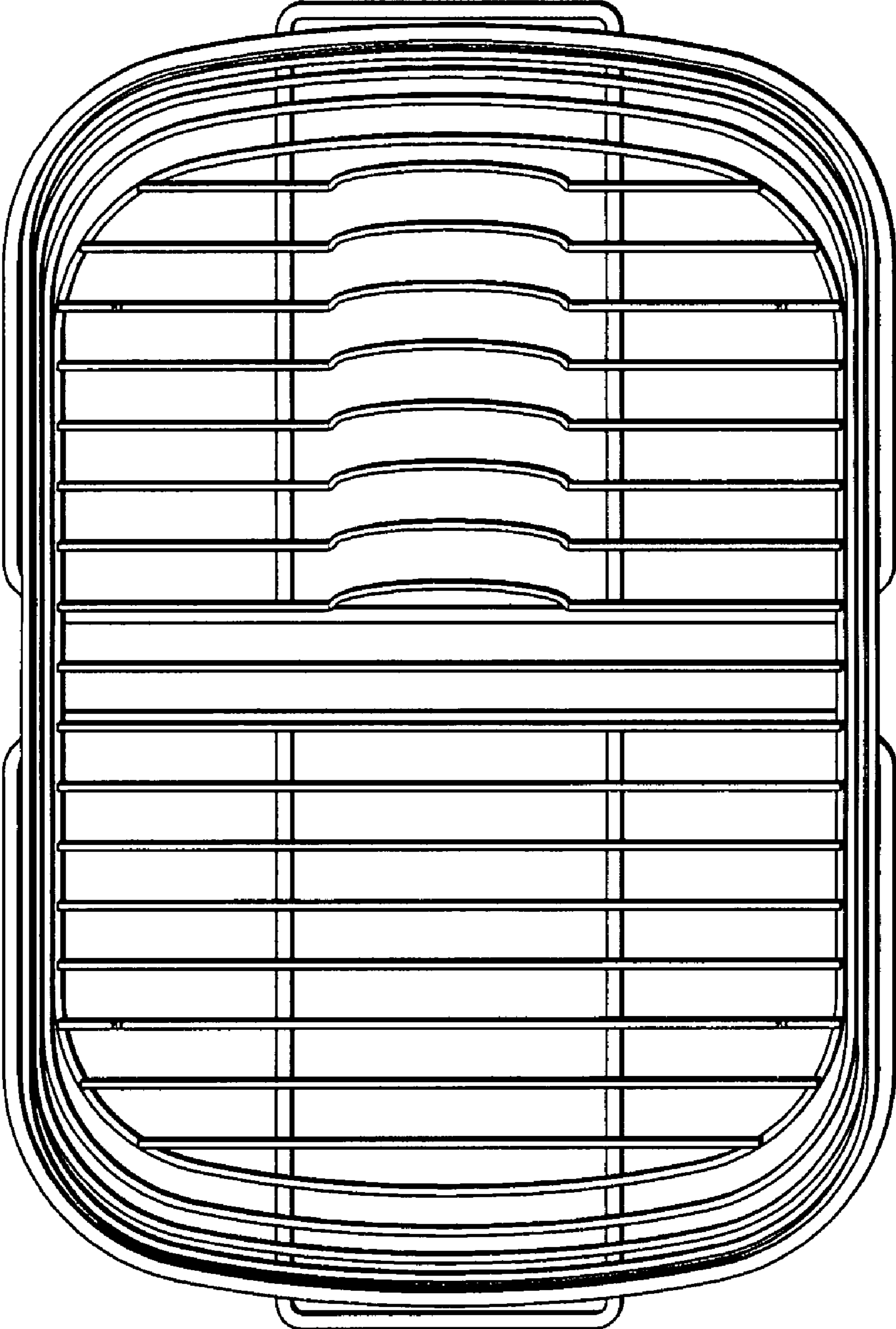


FIG. 6

