



US00D554815S

(12) **United States Design Patent**  
**Harper et al.**

(10) **Patent No.:** **US D554,815 S**

(45) **Date of Patent:** **\*\* Nov. 6, 2007**

(54) **CLEANING IMPLEMENT**

(75) Inventors: **Richard Michael Harper**, Cincinnati, OH (US); **Robert Allen Godfroid**, Cincinnati, OH (US); **William Michael Cannon**, West Harrison, IN (US); **Samuel Bladgen Truslow**, San Francisco, CA (US); **Anthony Piazza**, Palo Alto, CA (US); **Adrian Benton James**, Palo Alto, CA (US)

(73) Assignee: **The Procter & Gamble Company**, Cincinnati, OH (US)

(\*\*) Term: **14 Years**

(21) Appl. No.: **29/209,162**

(22) Filed: **Jul. 12, 2004**

(51) **LOC (8) Cl.** ..... **04-01**

(52) **U.S. Cl.** ..... **D32/40**

(58) **Field of Classification Search** ..... D32/40,  
D32/50, 51; 15/146, 147.1, 149, 159.1, 171,  
15/190, 209.1, 288, 231

See application file for complete search history.

(56) **References Cited**

**U.S. PATENT DOCUMENTS**

3,471,977	A *	10/1969	Roth	.....	451/515
4,516,360	A *	5/1985	Gringer et al.	.....	451/516
D304,630	S *	11/1989	Jones et al.	.....	D32/40
D379,698	S *	6/1997	Freudenberg et al.	.....	D32/40
D389,625	S *	1/1998	Feldman et al.	.....	D32/49
D392,433	S *	3/1998	Norris	.....	D32/45
6,245,413	B1 *	6/2001	Kenmochi et al.	.....	428/157
6,319,593	B1 *	11/2001	Kenmochi et al.	.....	428/198
D456,575	S *	4/2002	Celia et al.	.....	D32/40

D462,150	S *	8/2002	Rader et al.	.....	D32/40
6,687,941	B2 *	2/2004	Billat	.....	15/220.1
7,033,965	B2 *	4/2006	Takabayashi et al.	.....	442/381
2006/0282969	A1 *	12/2006	Yamada	.....	15/208

\* cited by examiner

*Primary Examiner*—Clare E Heflin

*Assistant Examiner*—Barbara Fox

(74) *Attorney, Agent, or Firm*—Thibault Fayette; Larry L. Huston

(57) **CLAIM**

The ornamental design for a cleaning implement, as shown and described.

**DESCRIPTION**

FIG. 1 is a perspective view of a cleaning implement, embodying the new design;

FIG. 2 is a perspective view of an enlarged portion of the cleaning implement of FIG. 1;

FIG. 3 is a front elevational view of the cleaning implement of FIG. 2;

FIG. 4 is a rear elevational view of the cleaning implement of FIG. 2;

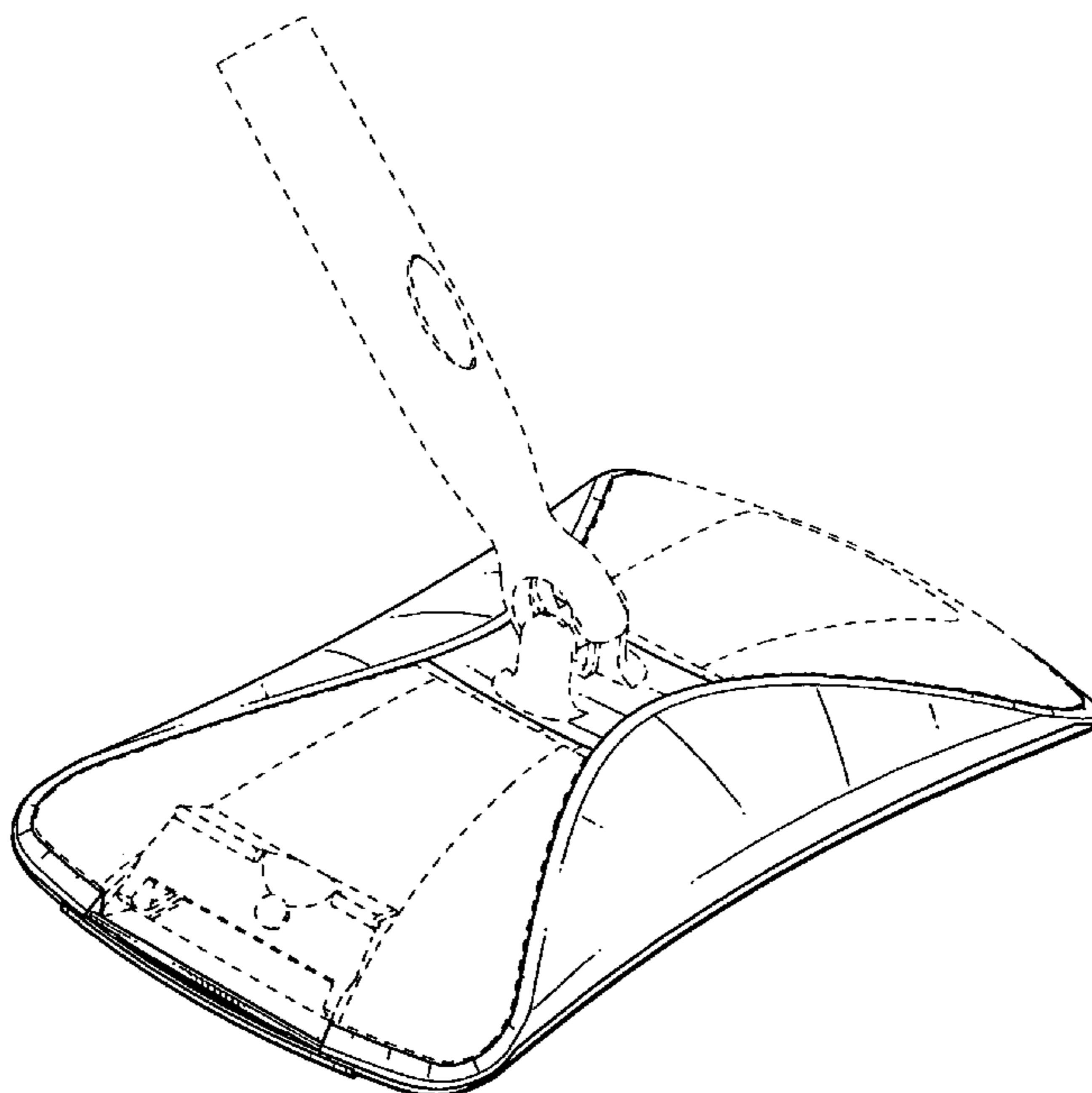
FIG. 5 is a right elevational view of the cleaning implement of FIG. 2, the opposite left view is a mirror image thereto;

FIG. 6 is a top planar view of the cleaning implement of FIG. 2; and,

FIG. 7 is a bottom planar view of the cleaning implement of FIG. 2.

The broken lines shown in the drawings are for illustrative purposes only and form no part of the claimed design.

**1 Claim, 7 Drawing Sheets**



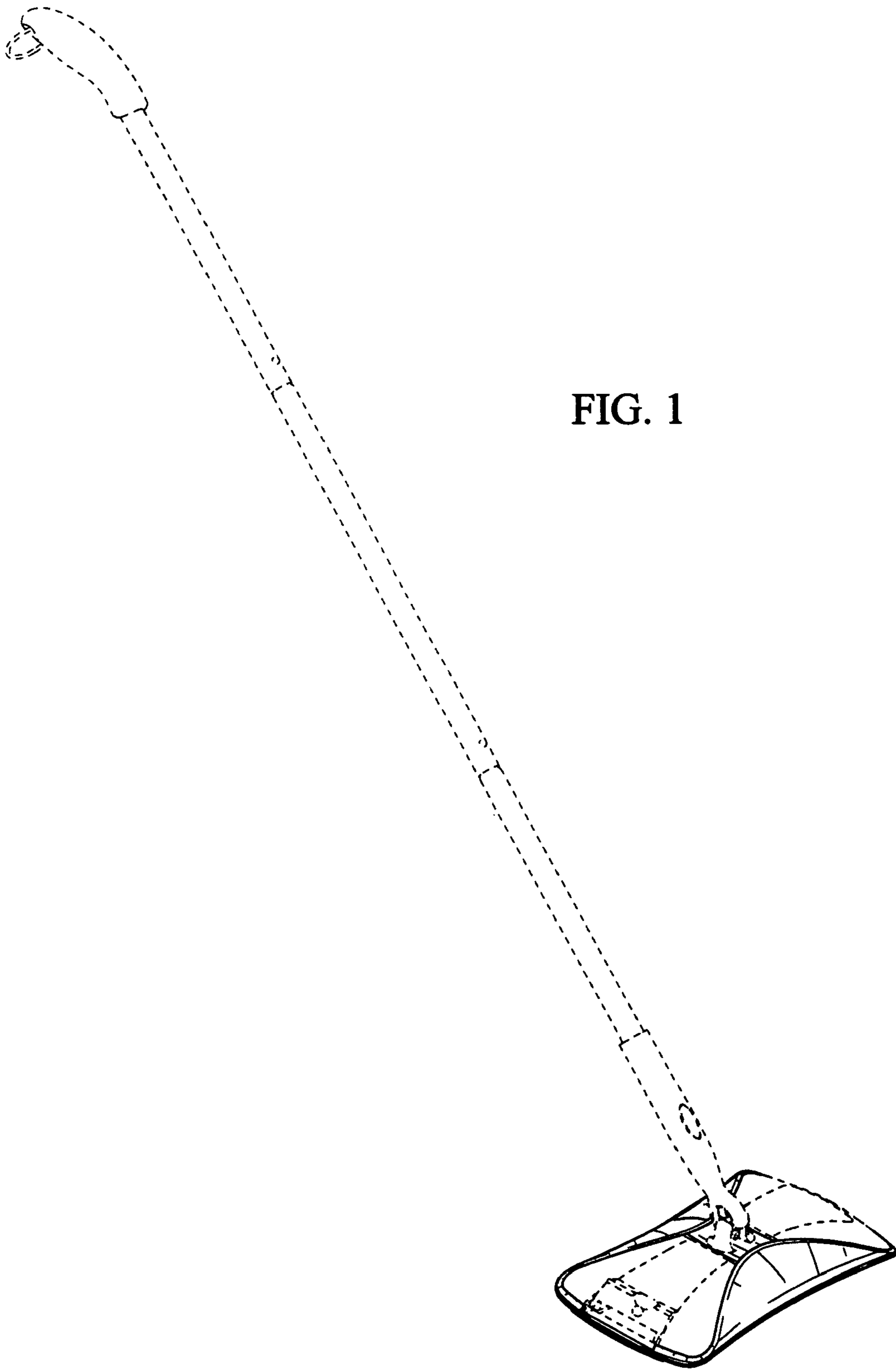


FIG. 1

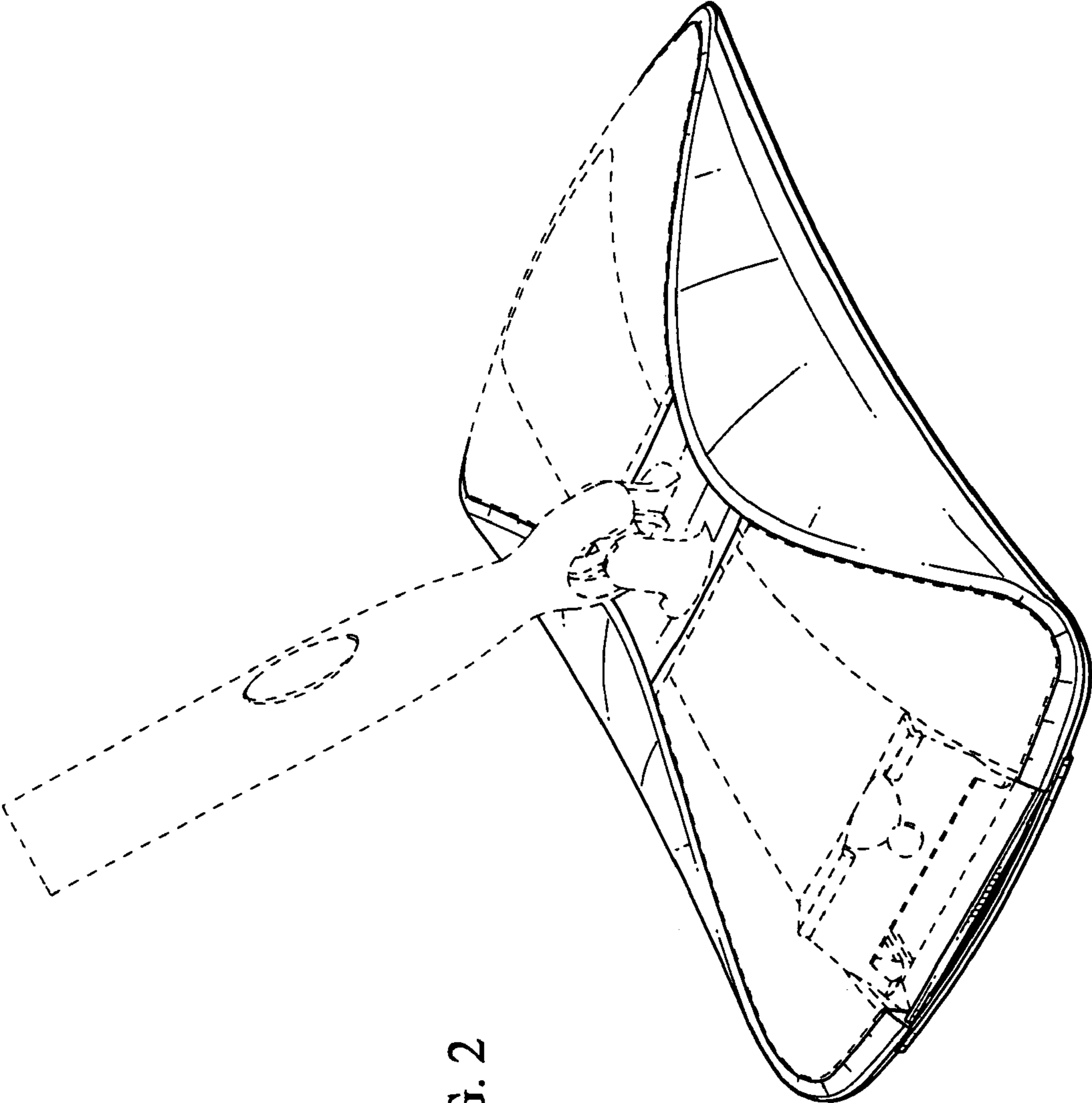
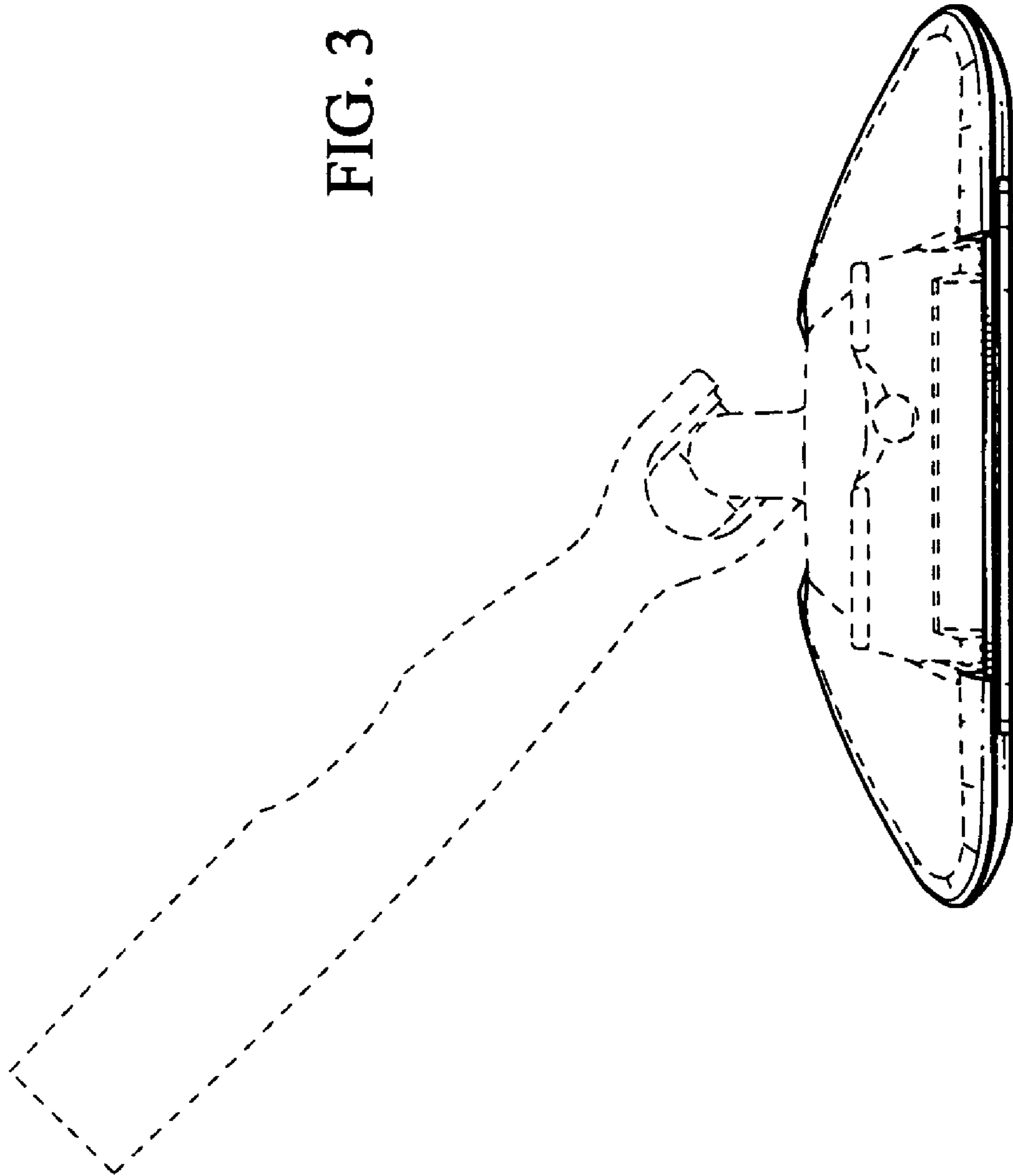


FIG. 2

FIG. 3



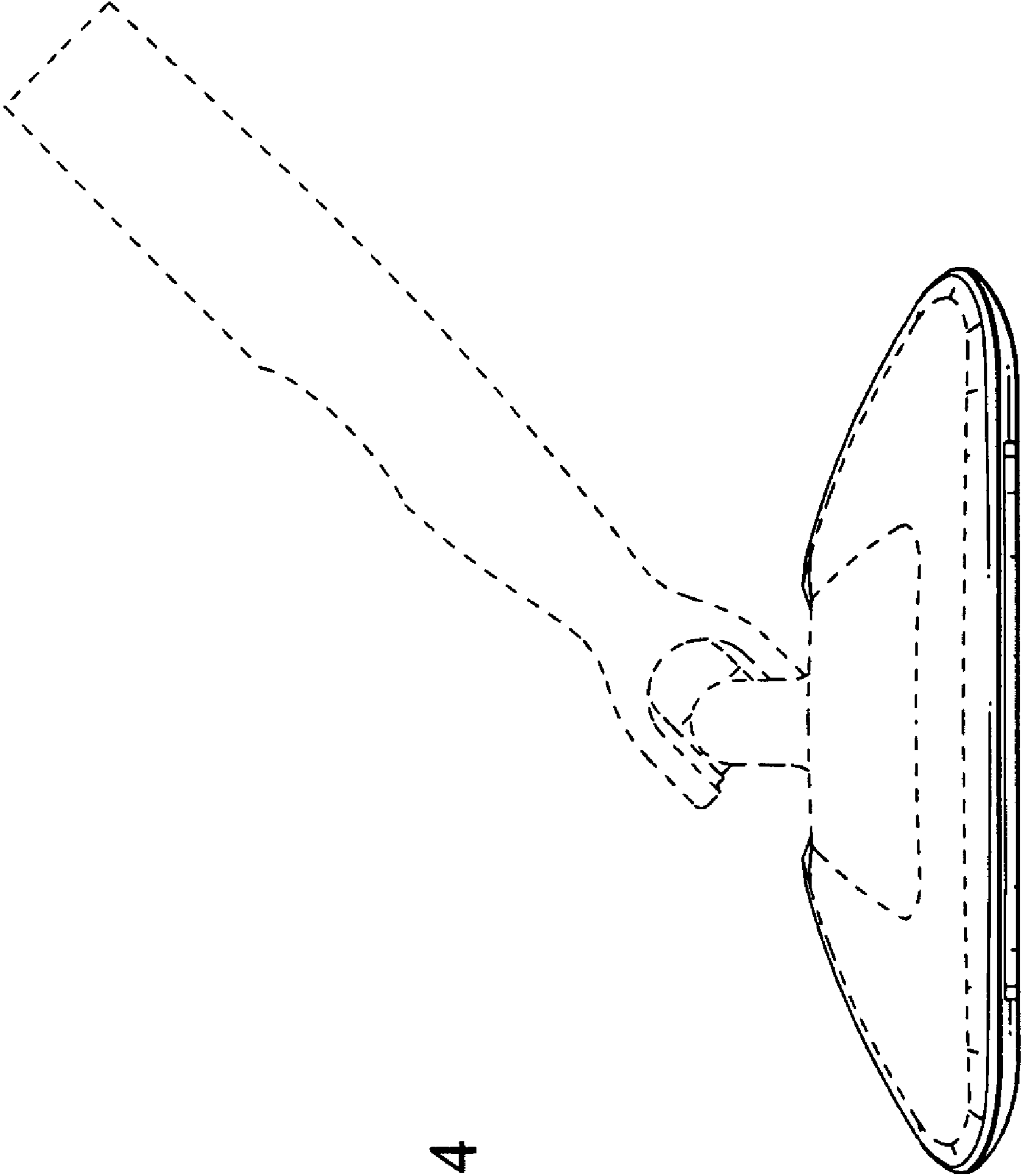


FIG. 4

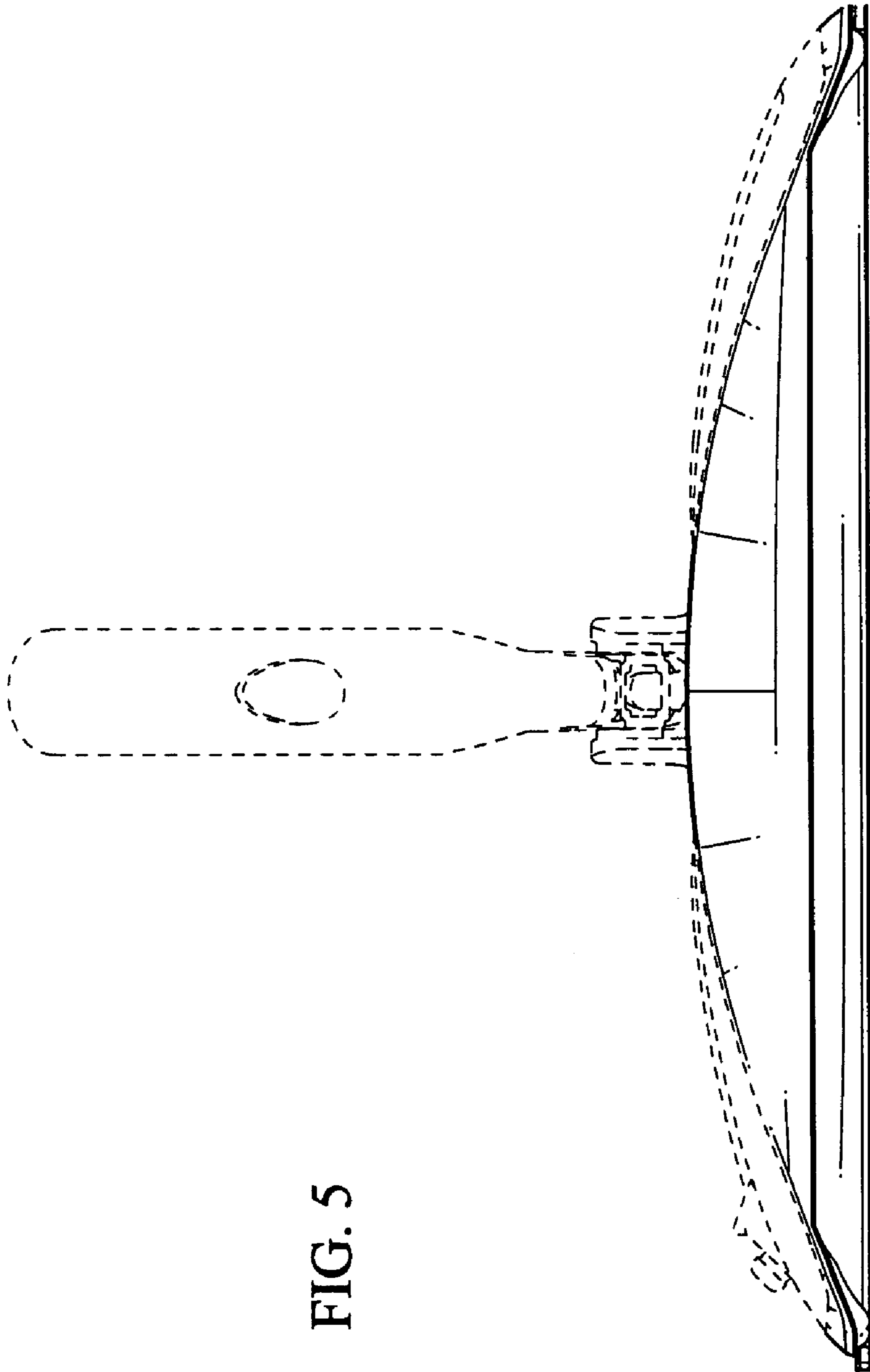


FIG. 5

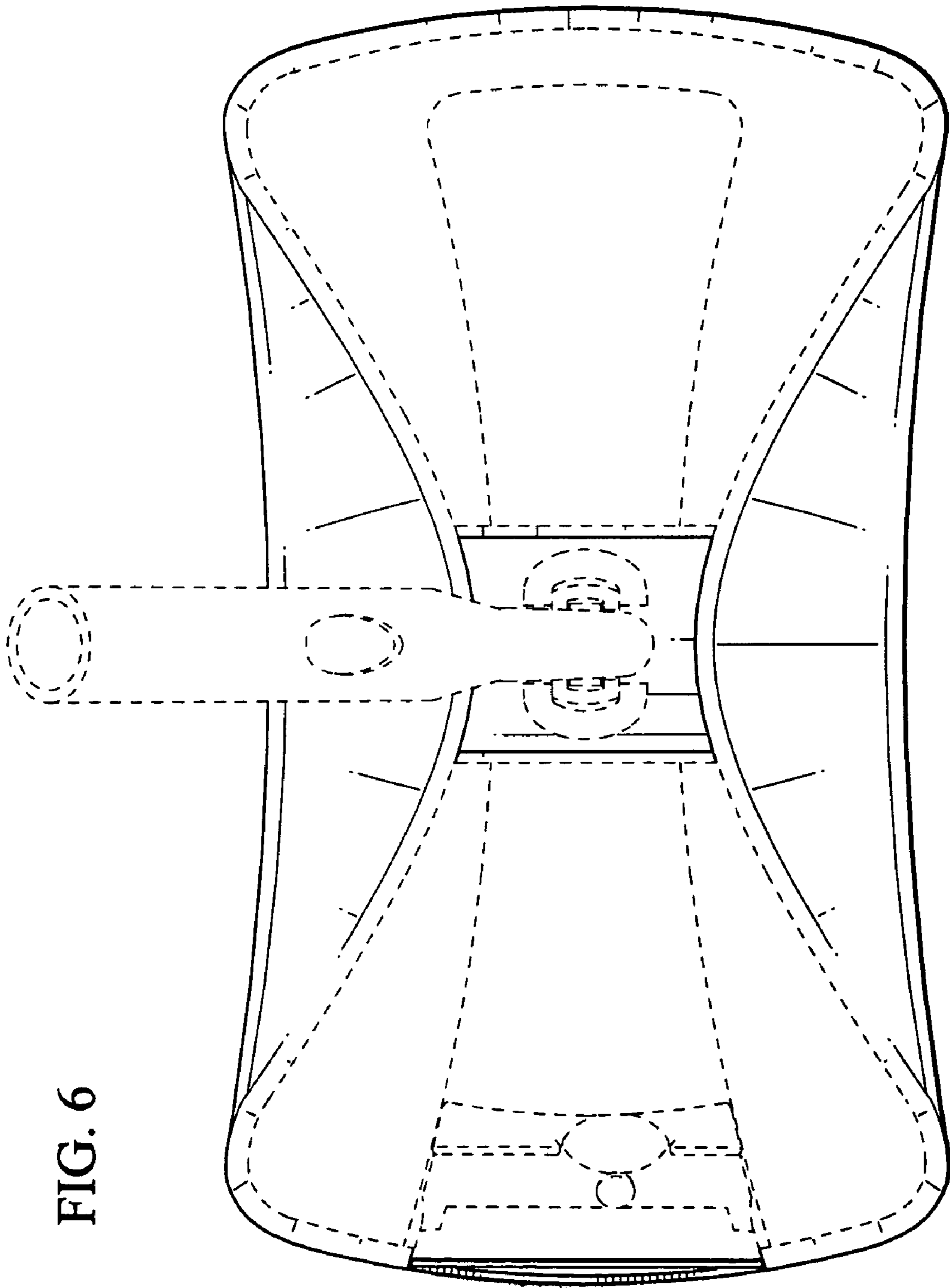


FIG. 6

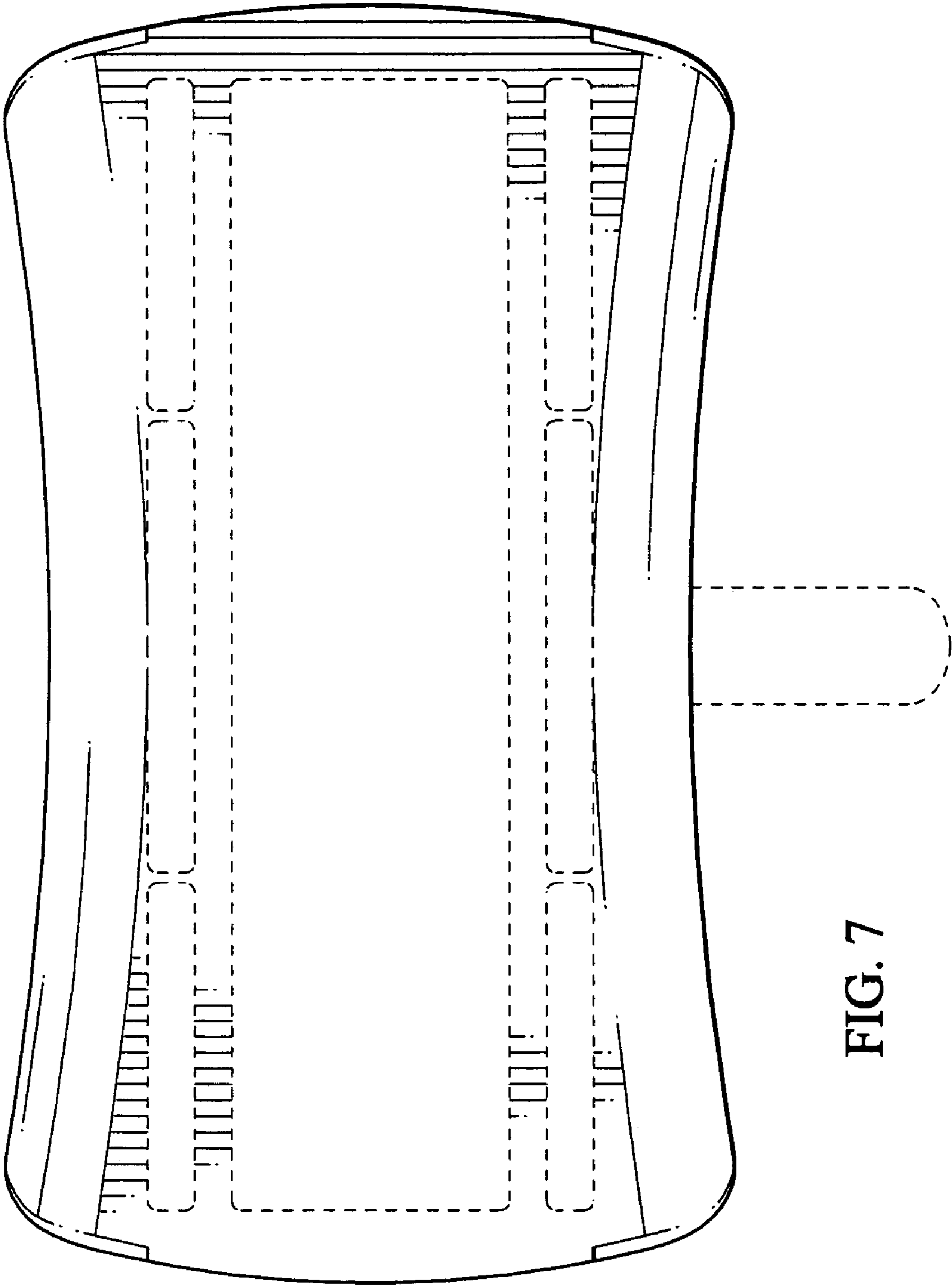


FIG. 7