



US00D554814S

(12) **United States Design Patent**
Grey

(10) **Patent No.:** **US D554,814 S**

(45) **Date of Patent:** **** Nov. 6, 2007**

(54) **VACUUM CLEANER HEAD**

(75) **Inventor:** **Nicholas Gerald Grey, Worcester (GB)**

(73) **Assignee:** **Grey Technology Limited (GB)**

(**) **Term:** **14 Years**

(21) **Appl. No.:** **29/265,422**

(22) **Filed:** **Aug. 31, 2006**

(30) **Foreign Application Priority Data**

Jul. 31, 2006 (EM) 000569215

(51) **LOC (8) Cl.** **15-05**

(52) **U.S. Cl.** **D32/32**

(58) **Field of Classification Search** D32/21-24,
D32/31-33, 40-42, 45, 50-51; 15/244.1,
15/209.1, 228, 350-353, 361, 320-322, 400-401,
15/412-414, 415.1-422, 422.1, 327.1-327.7;
D12/204-213; D21/779, 563; 401/138,
401/268

See application file for complete search history.

(56) **References Cited**

U.S. PATENT DOCUMENTS

D228,608 S * 10/1973 Johnson D32/33
D482,168 S * 11/2003 Warburton D32/32

FOREIGN PATENT DOCUMENTS

GB 2419278 * 4/2006

OTHER PUBLICATIONS

<http://www.greytechnology.co.uk/sweepers.php>. Retrieved from the Internet on Jun. 22, 2007. "the GTECH Cordless Sweeper—designed for everyday living". Posted on Oct. 6, 2006.*
* cited by examiner

Primary Examiner—Ruth McInroy
(74) *Attorney, Agent, or Firm*—Ira S. Dorman

(57) **CLAIM**

The ornamental design for a vacuum cleaner head, as shown and described.

DESCRIPTION

FIG. 1 is a top plan view of a vacuum cleaner head showing my new design;

FIG. 2 is a first side elevational view of the vacuum cleaner head shown in FIG. 1;

FIG. 3 is a bottom view of the vacuum cleaner head shown in FIG. 1;

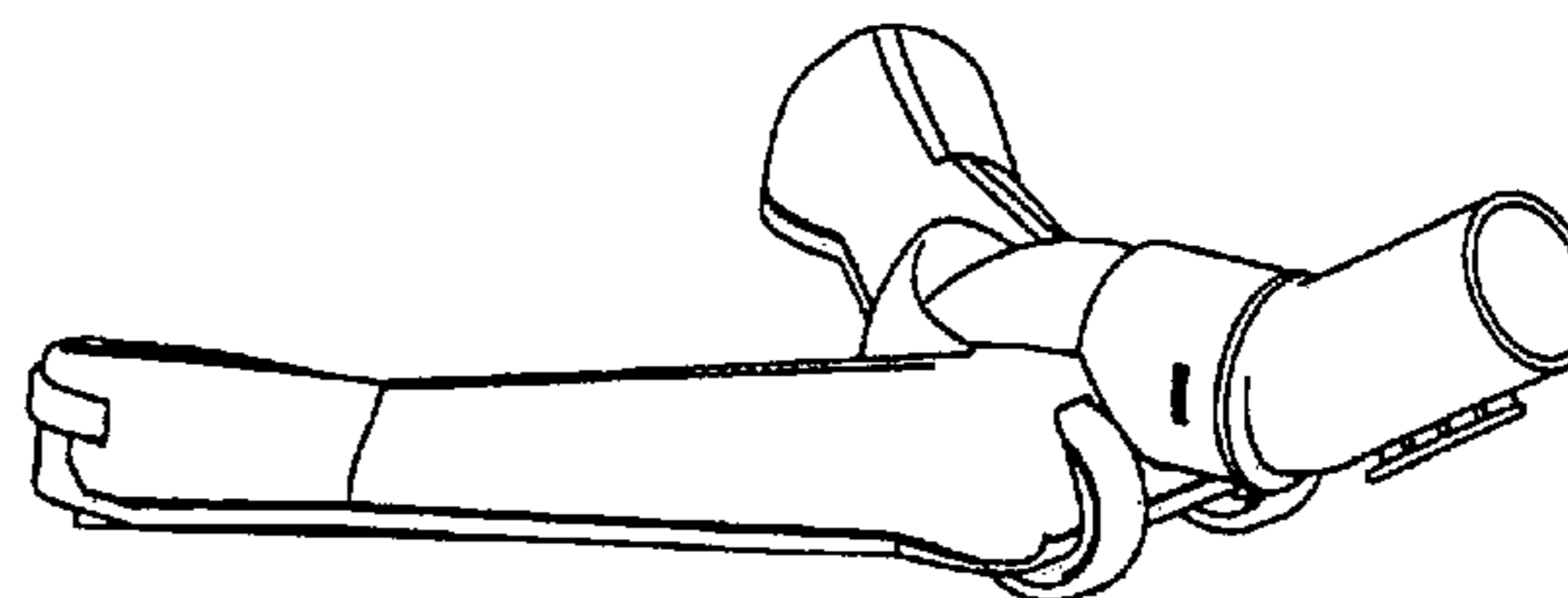
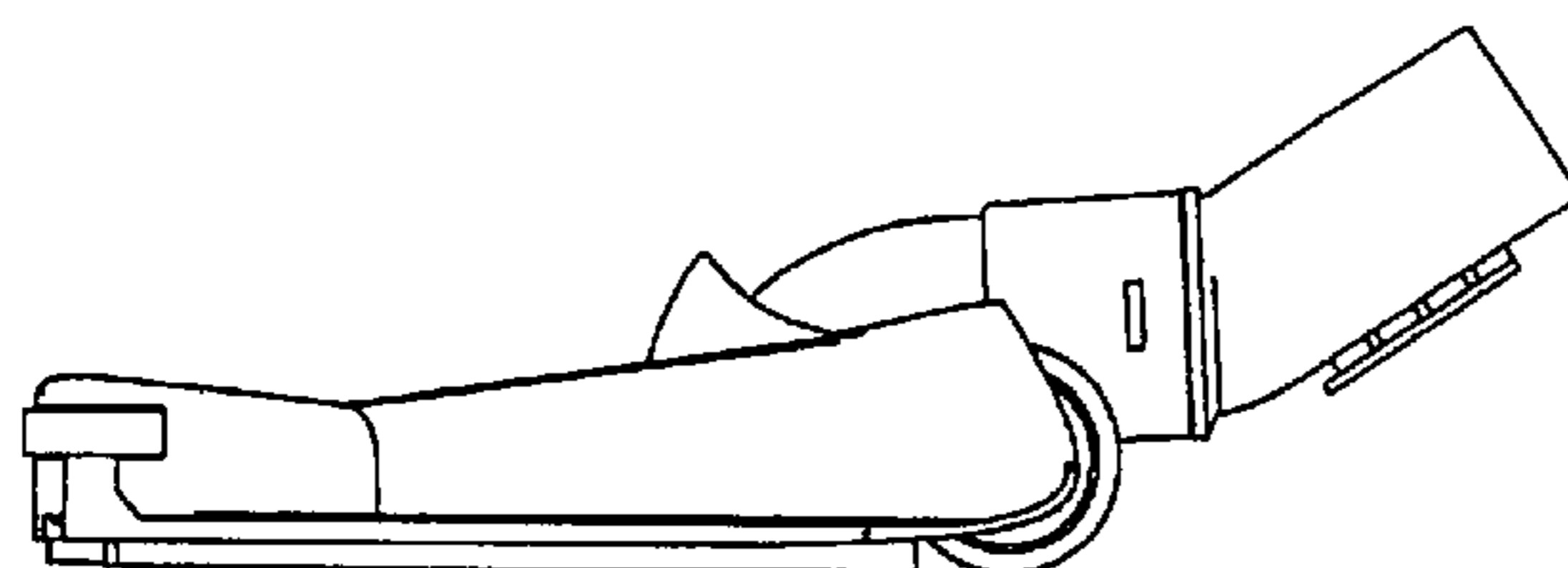
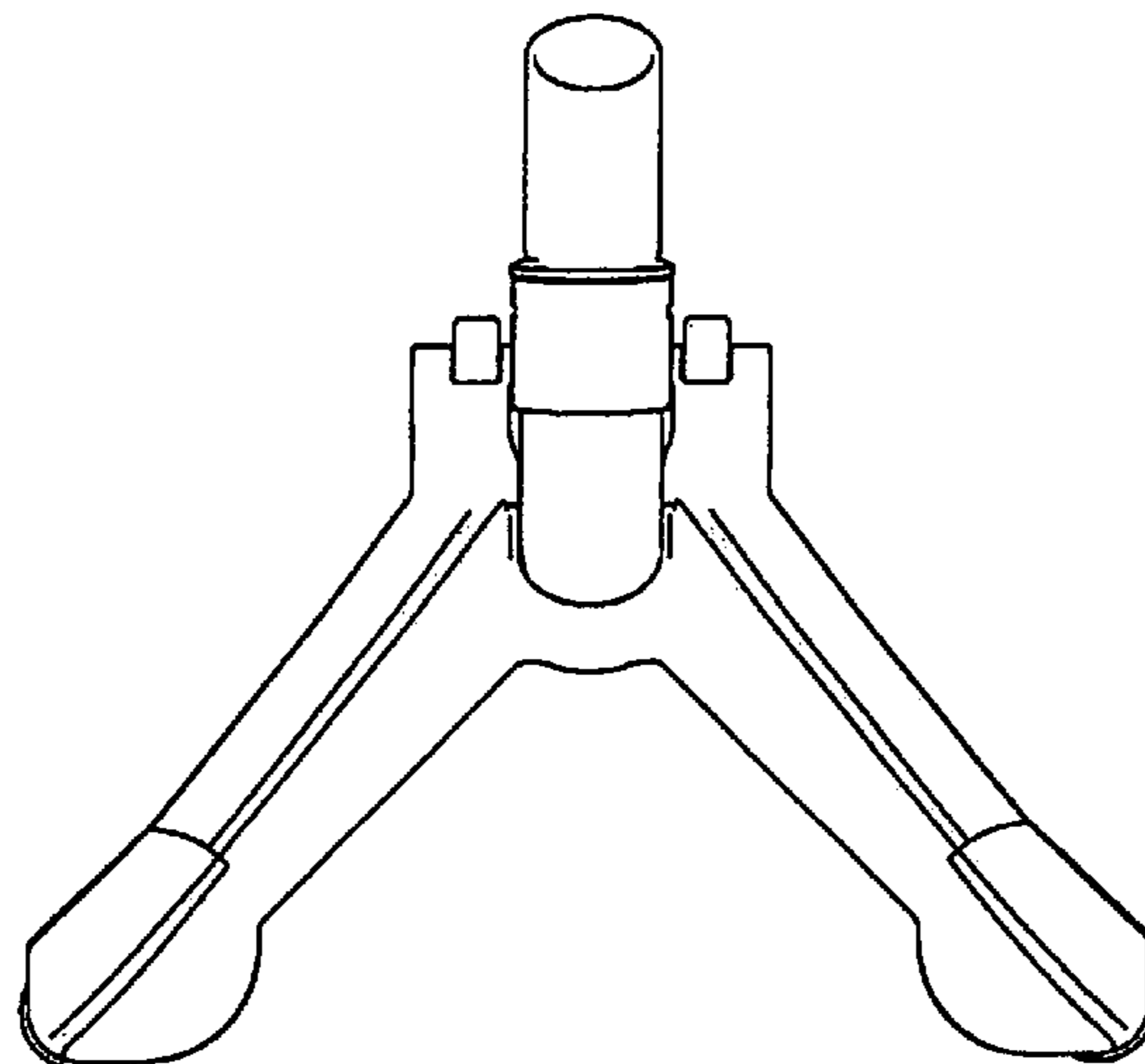
FIG. 4 is a second side elevational view of the vacuum cleaner head shown in FIG. 1;

FIG. 5 is a rear elevational view of the vacuum cleaner head shown in FIG. 1;

FIG. 6 is a front elevational view of the vacuum cleaner head shown in FIG. 1; and,

FIG. 7 is perspective view of the vacuum cleaner head shown in FIG. 1.

1 Claim, 4 Drawing Sheets



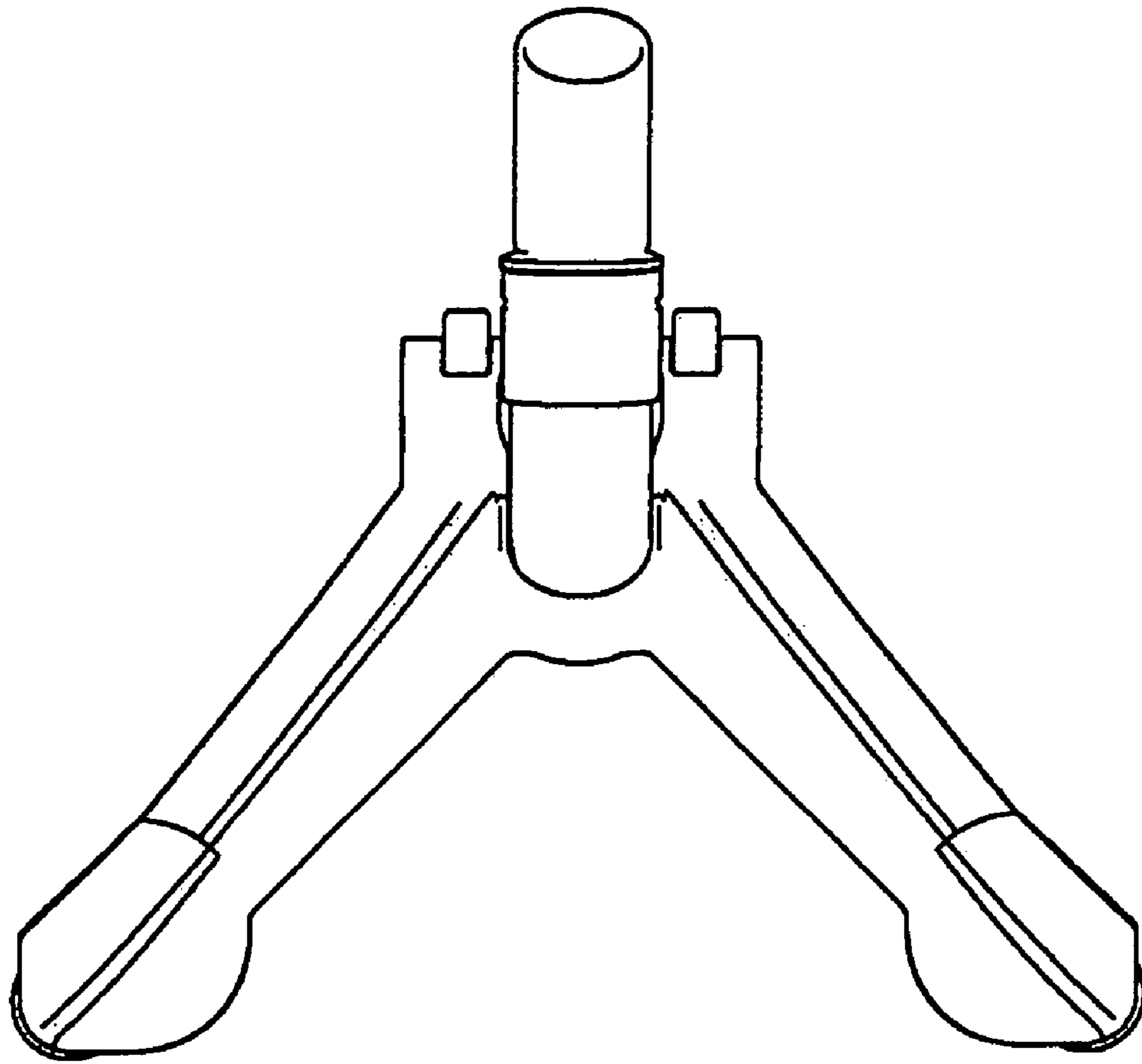


Figure 1

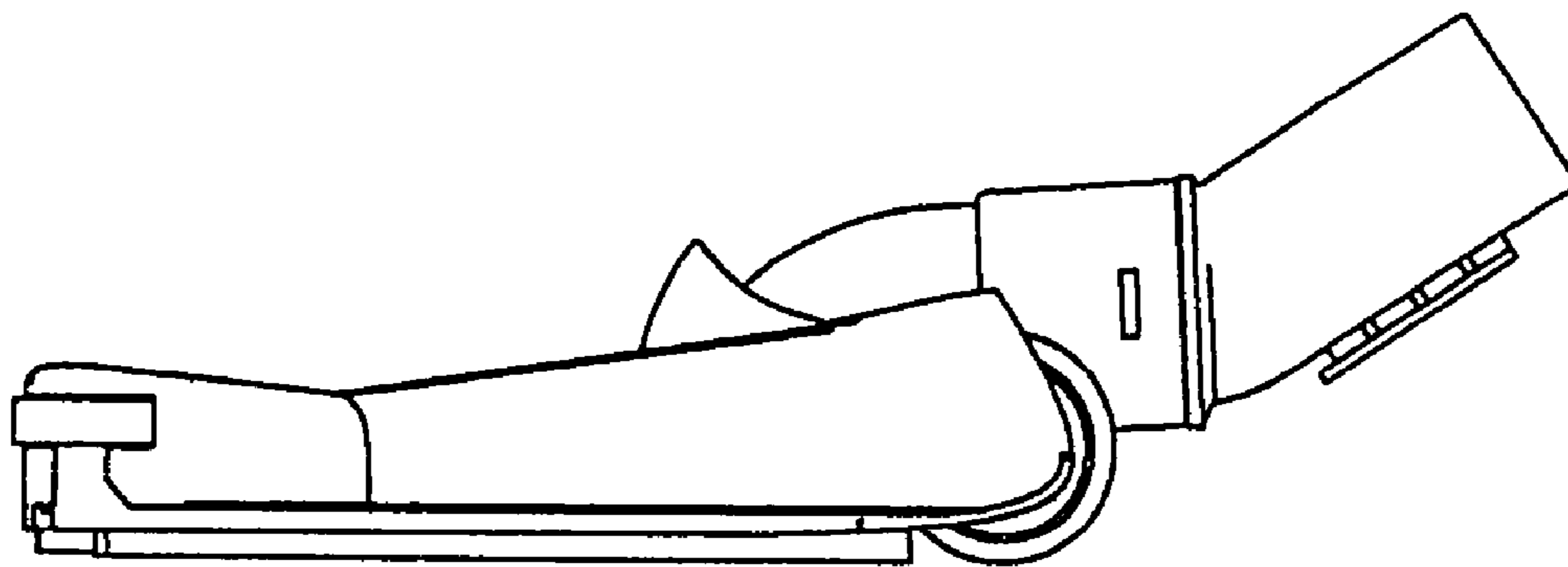


Figure 2

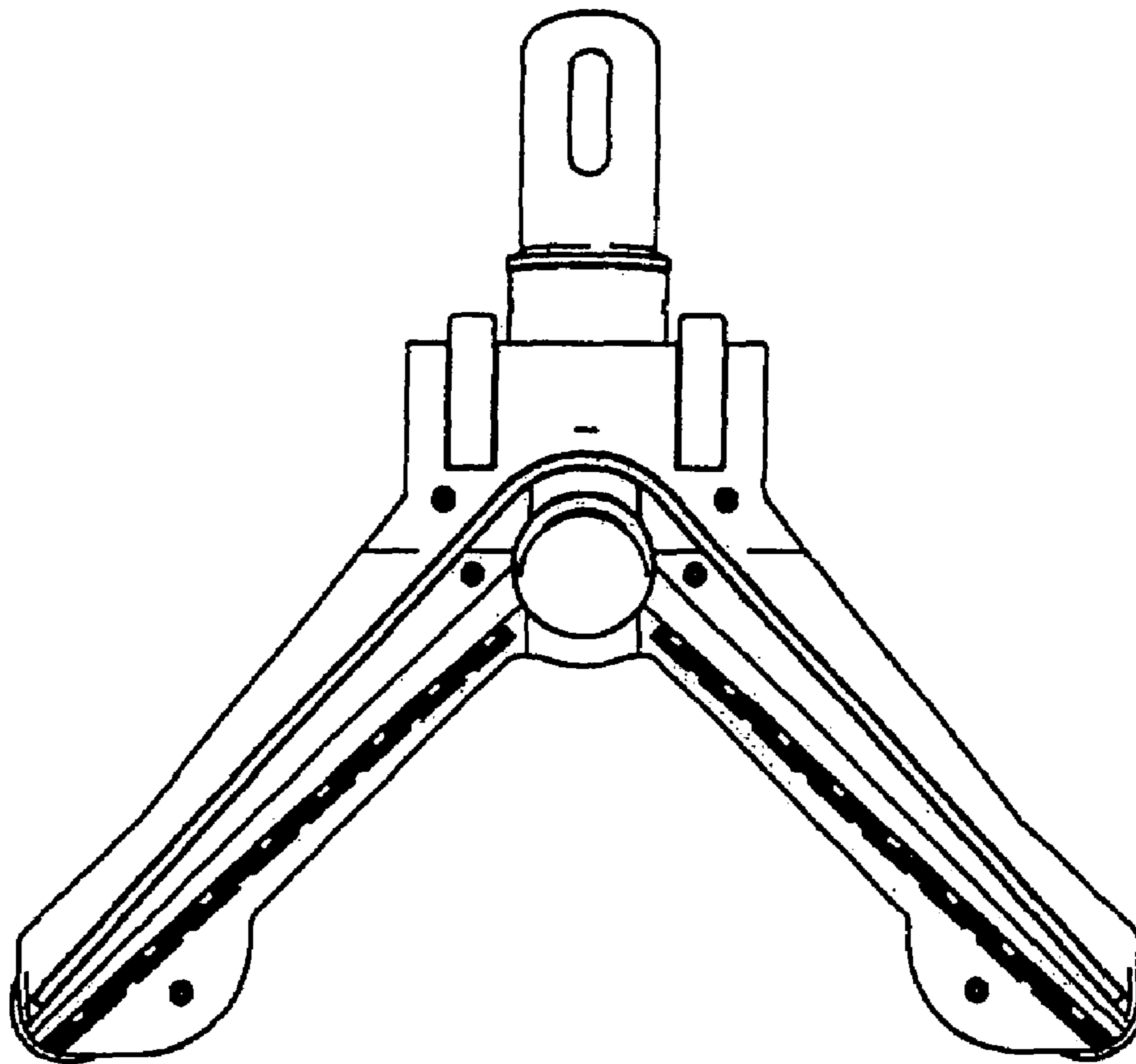


Figure 3

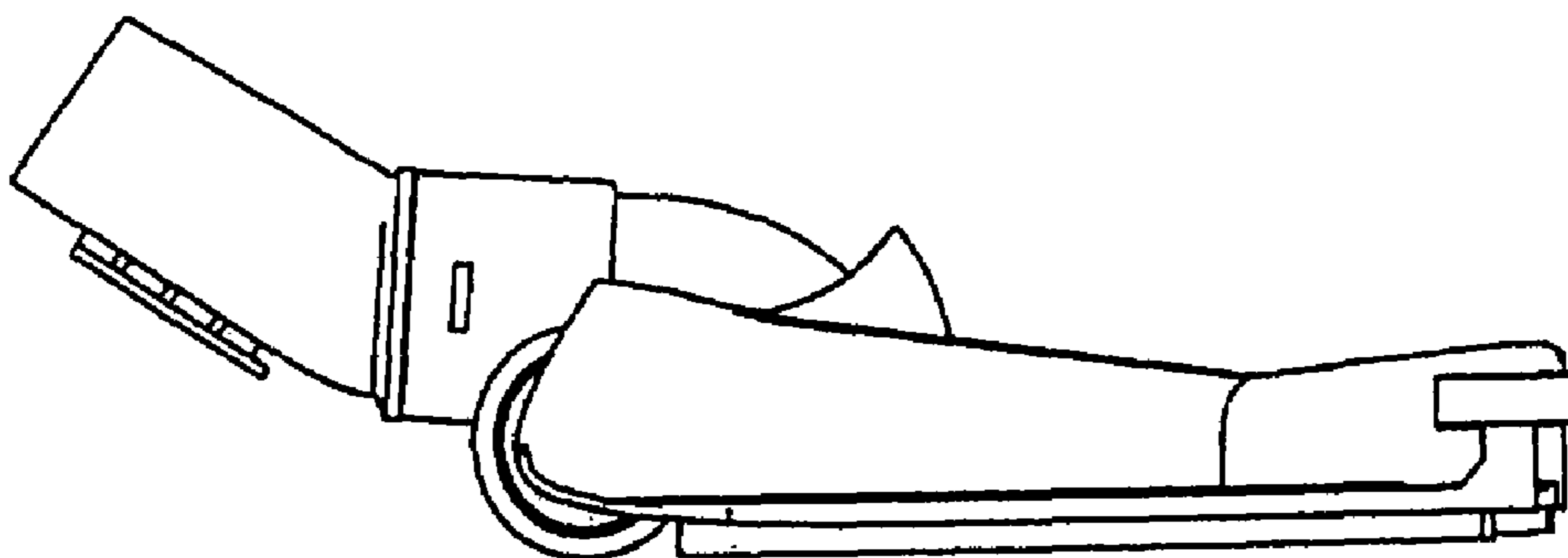


Figure 4

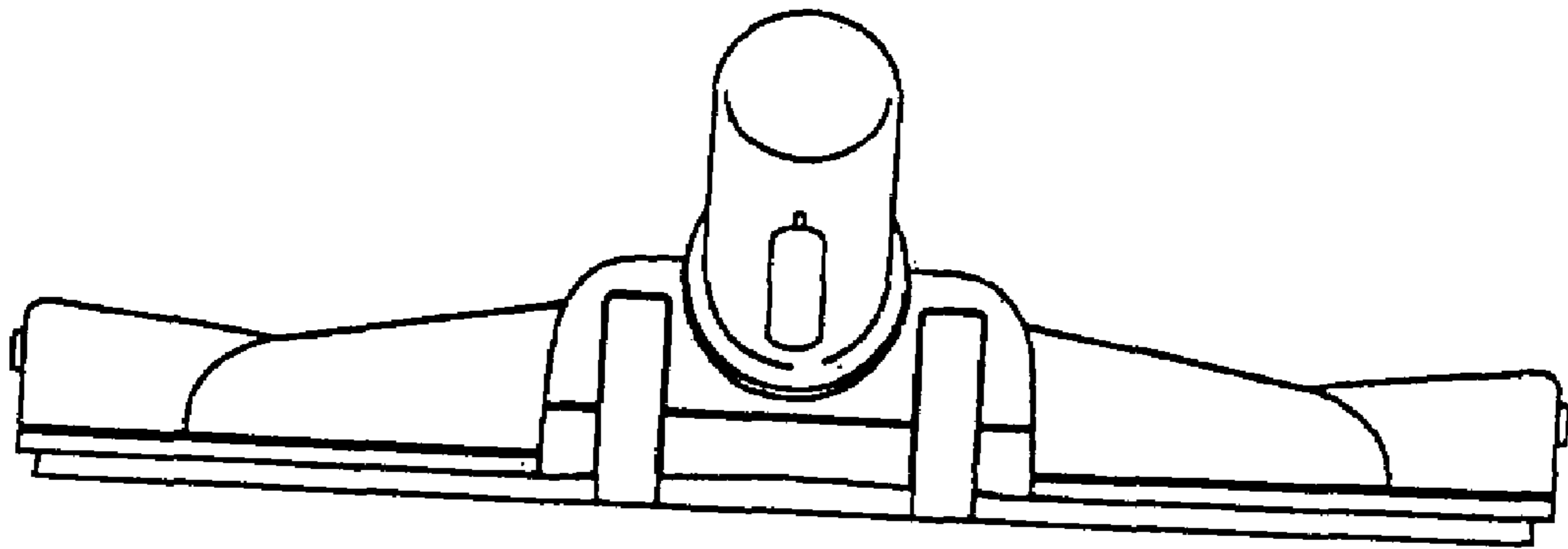


Figure 5

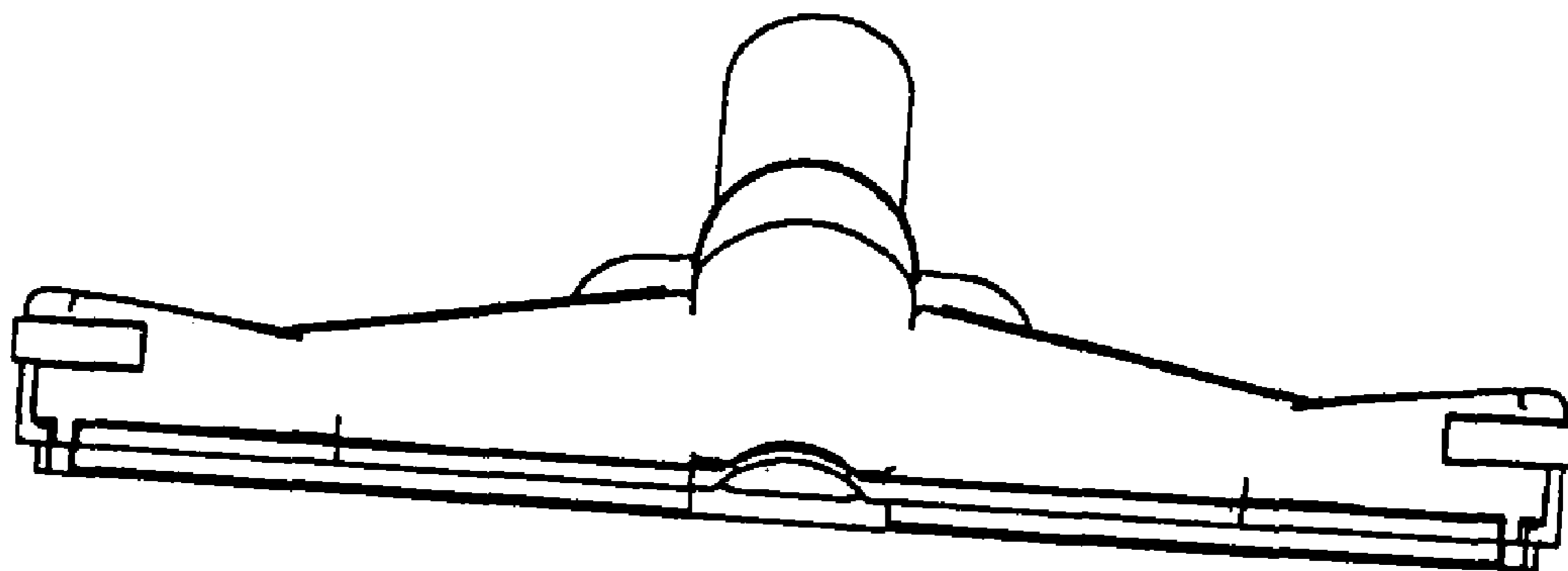


Figure 6

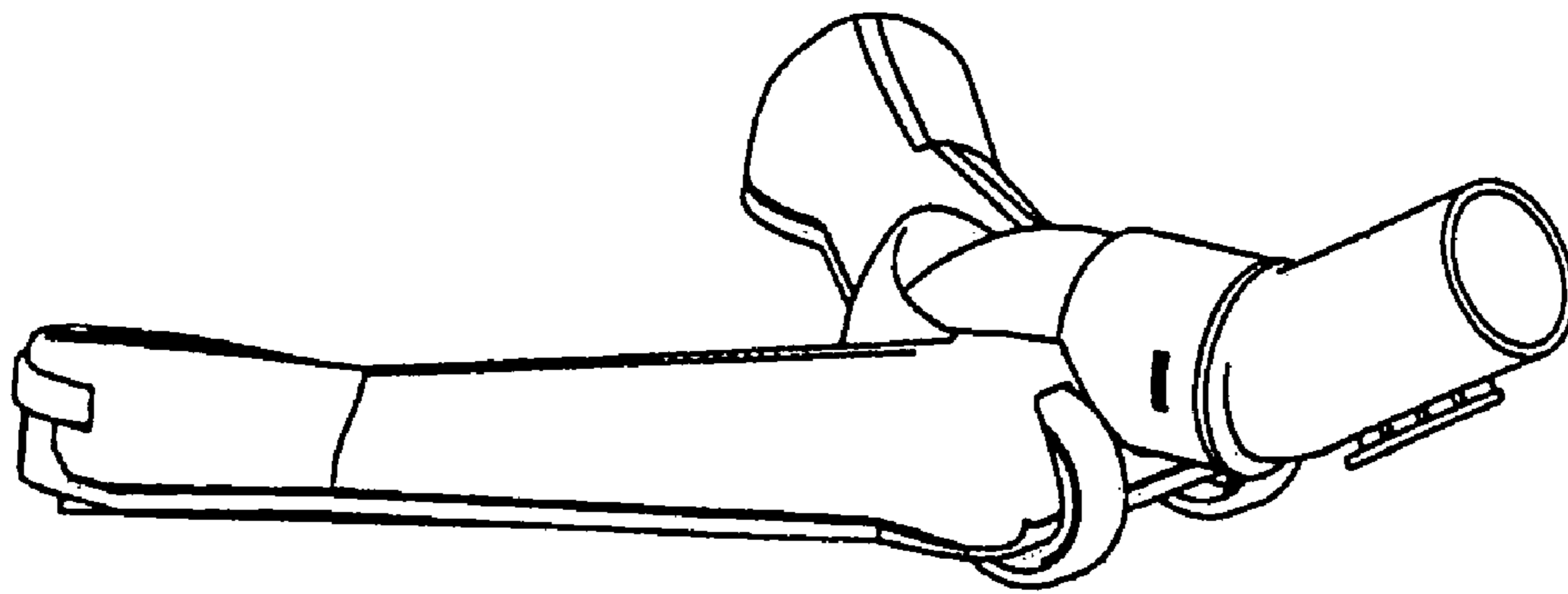


Figure 7