



US00D554809S

(12) **United States Design Patent**
Ragonetti et al.

(10) **Patent No.:** **US D554,809 S**

(45) **Date of Patent:** **** Nov. 6, 2007**

(54) **AQUARIUM ORNAMENT**

(75) Inventors: **Peter Ragonetti**, Brooklyn, NY (US);
Ryan Rutherford, Rutherford, NJ
(US); **Jonathan Willinger**, Tenafly, NJ
(US)

(73) Assignee: **JW Pet Company, Inc.**, Teterboro, NJ
(US)

(**) Term: **14 Years**

(21) Appl. No.: **29/262,828**

(22) Filed: **Jul. 12, 2006**

(51) **LOC (8) Cl.** **30-02**

(52) **U.S. Cl.** **D30/106**

(58) **Field of Classification Search** D30/101-107,
D30/199, 160; 119/248, 253, 265, 266, 269,
119/254, 263, 245, 244, 221, 232, 261; D9/329,
D9/307; D28/80, 82; D21/811, 542, 398,
D21/546, 615, 385, 401, 414, 490, 483, 493,
D21/597, 150, 177; D11/125, 149, 157,
D11/219, 44, 50, 81; 446/156; 428/7; 417/413.1;
210/167.25

See application file for complete search history.

(56) **References Cited**

U.S. PATENT DOCUMENTS

D93,591 S *	10/1934	Wewetzer	D28/80
D166,238 S *	3/1952	Bedinger	D9/666
D173,614 S *	12/1954	Gemora	D28/80
D186,240 S *	9/1959	Hubert	D11/86
D217,877 S *	6/1970	Lankowitz	D6/557
3,548,786 A *	12/1970	Willinger	119/254
D243,430 S *	2/1977	Thrush	D7/539

(Continued)

OTHER PUBLICATIONS

2 Penn Plax online catalog pages, showing the Giant Clam and Tropical Clam.*

Primary Examiner—Louis S. Zarfes

Assistant Examiner—Anna K Dworzecka

(74) *Attorney, Agent, or Firm*—Katten Muchin Rosenman
LLP

(57) **CLAIM**

The ornamental design for an aquarium ornament, as shown and described.

DESCRIPTION

FIG. 1 is a perspective view of an aquarium ornament, the inventive ornament being in a closed position,

FIG. 2 is a front view of the aquarium ornament of FIG. 1

FIG. 3 is a rear view of the aquarium ornament of FIG. 1,

FIG. 4 is a left-side view of the aquarium ornament of FIG. 1,

FIG. 5 is a right-side view of the aquarium ornament of FIG. 1,

FIG. 6 is a top view of the aquarium ornament of FIG. 1,

FIG. 7 is a bottom view of the aquarium ornament of FIG. 1;

FIG. 8 is a perspective view of a aquarium ornament, the inventive ornament being in an open position,

FIG. 9 is a front view of the aquarium ornament of FIG. 8,

FIG. 10 is a rear view of the aquarium ornament of FIG. 8,

FIG. 11 is a left-side view of the aquarium ornament of FIG. 8,

FIG. 12 is a right-side view of the aquarium ornament of FIG. 8,

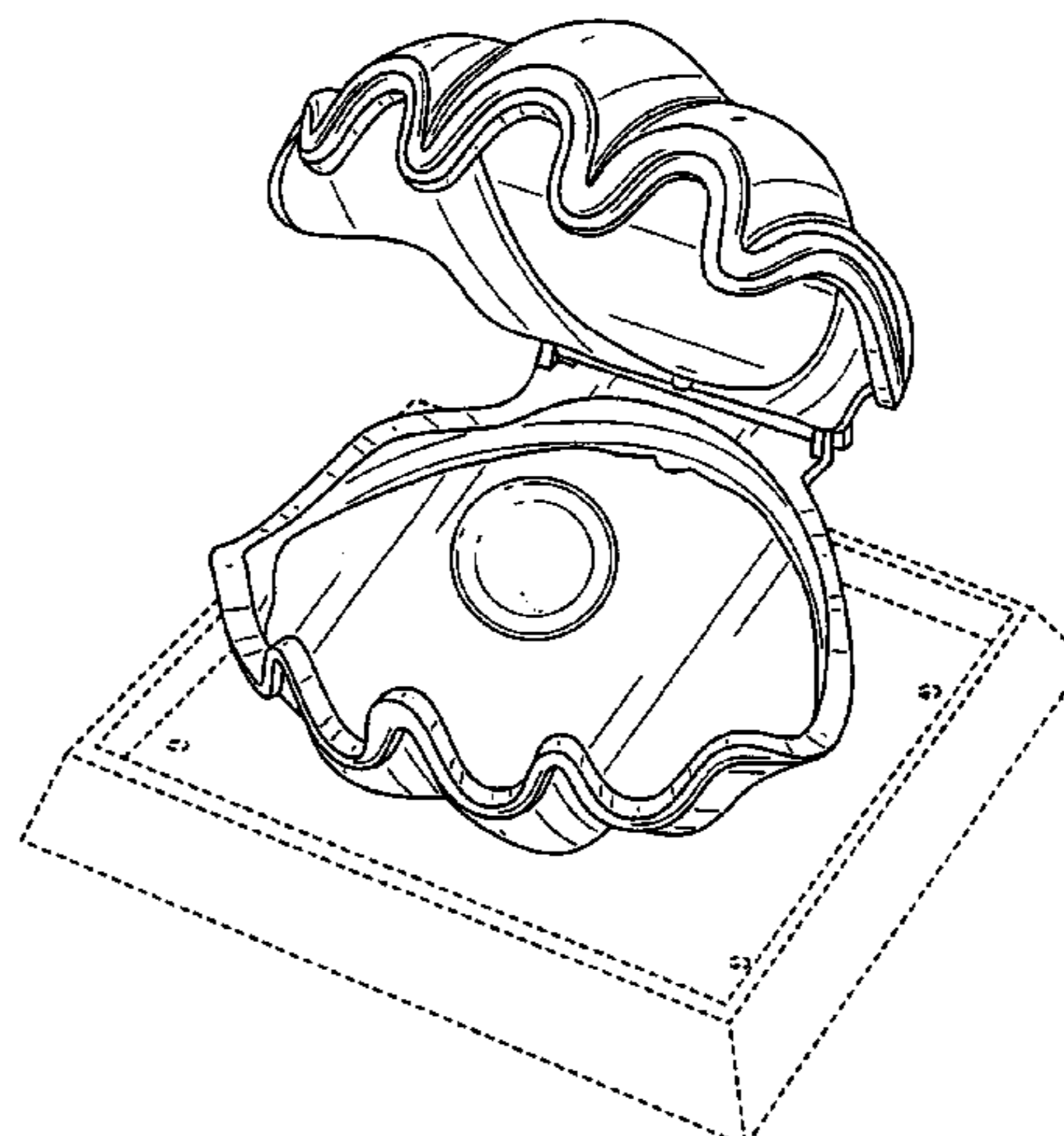
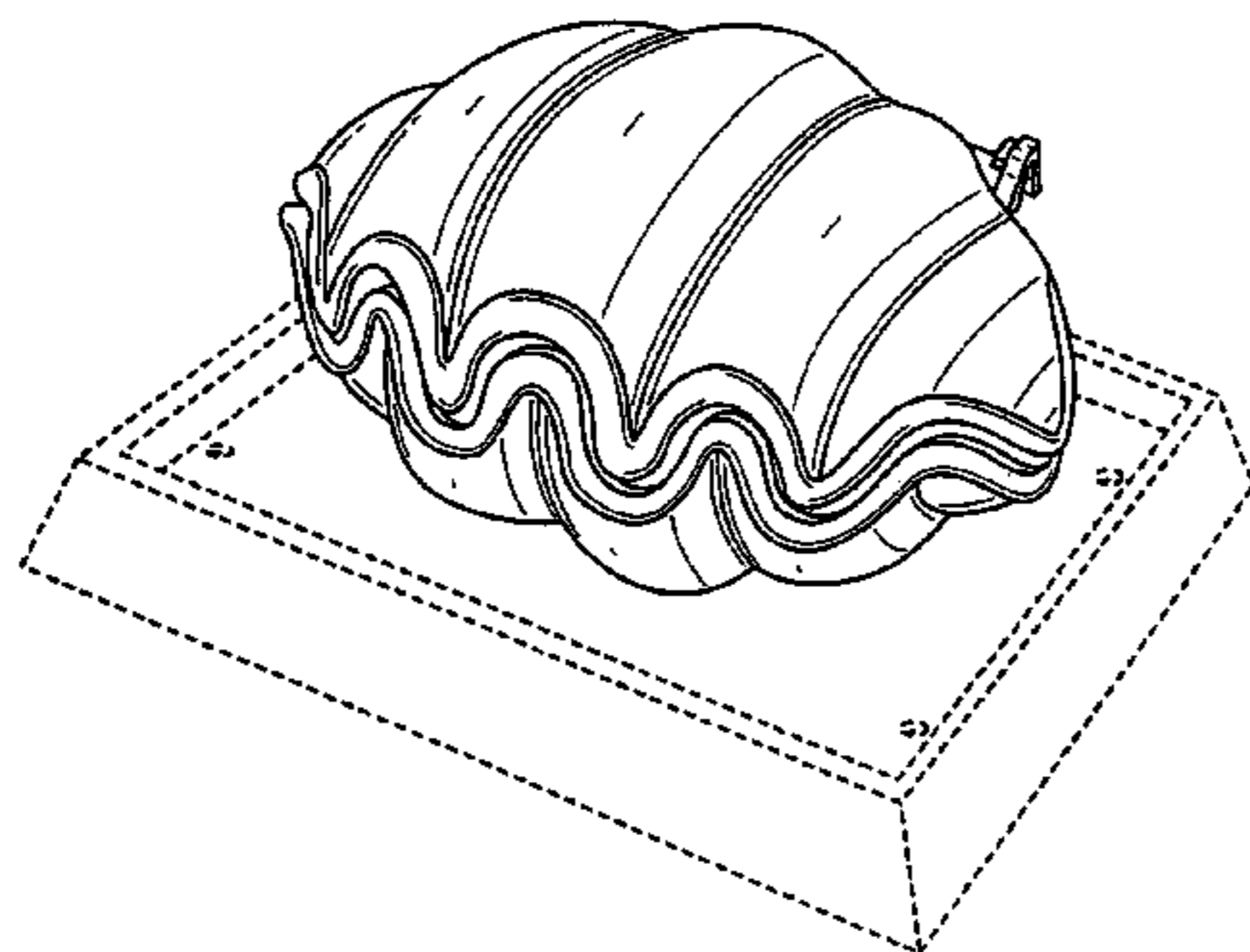
FIG. 13 is a top view of the aquarium ornament of FIG. 8,

FIG. 14 is a bottom view of the aquarium ornament of FIG. 8; and,

FIG. 15 is a bottom perspective view of the aquarium ornament of FIG. 8.

The part of each figure in broken lines forms no part of the claimed design.

1 Claim, 15 Drawing Sheets



US D554,809 S

Page 2

U.S. PATENT DOCUMENTS

4,122,627	A	*	10/1978	Kubiatowicz	446/156	D349,979	S	*	8/1994	Ulloa et al.	D30/102
D251,333	S	*	3/1979	Thrift et al.	D3/271.2	5,480,341	A	*	1/1996	Plakos	446/373
D259,356	S	*	5/1981	Ferretti	D21/816	D379,102	S	*	5/1997	Brummer	D21/615
D270,386	S	*	8/1983	Lee	D28/80	D379,777	S	*	6/1997	Segan et al.	D11/121
D306,479	S	*	3/1990	Groh	D23/367	D397,339	S	*	8/1998	Davis	D14/189
D308,021	S	*	5/1990	Natori	D9/666	D476,044	S	*	6/2003	Nailor	D21/597

* cited by examiner

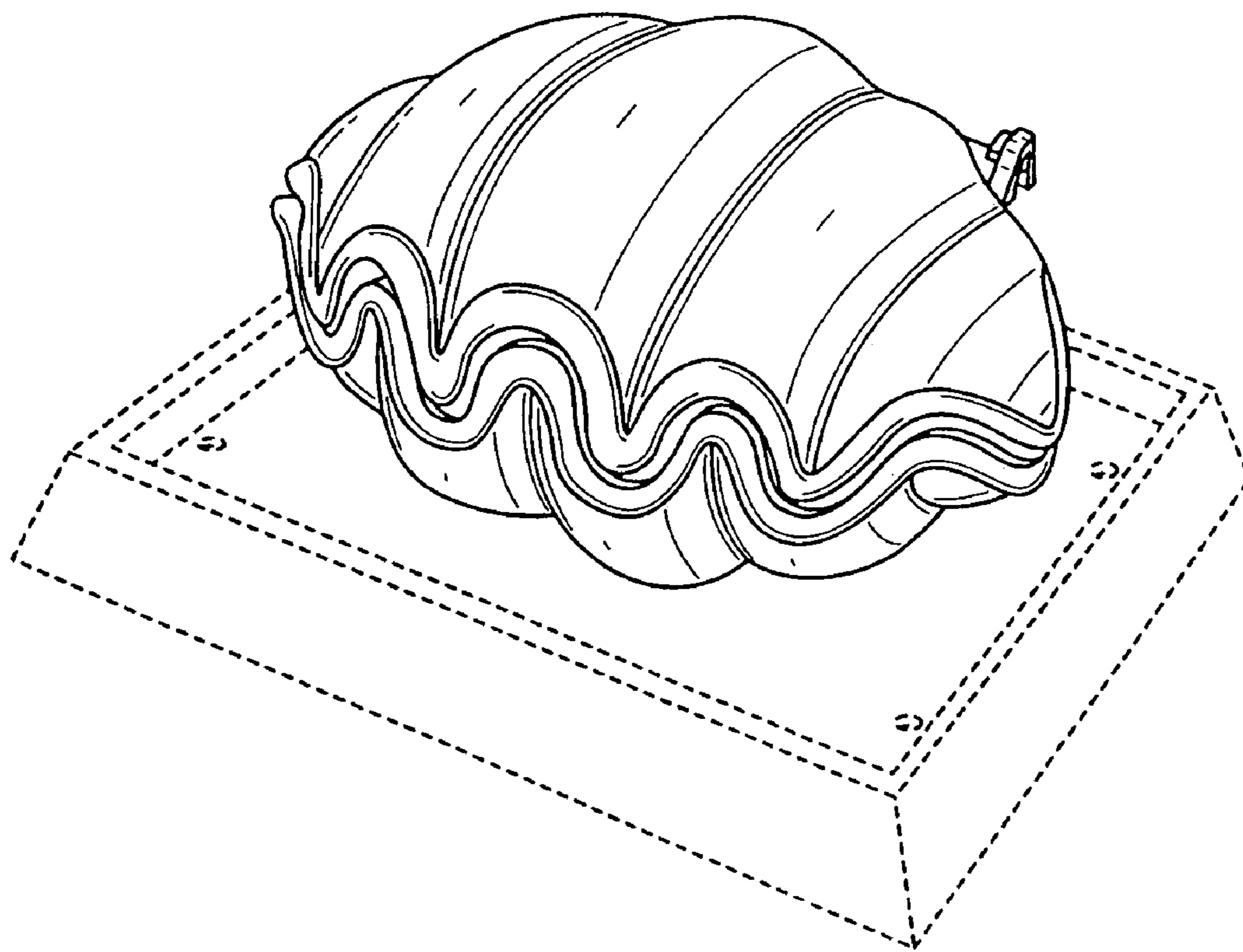


FIG. 1

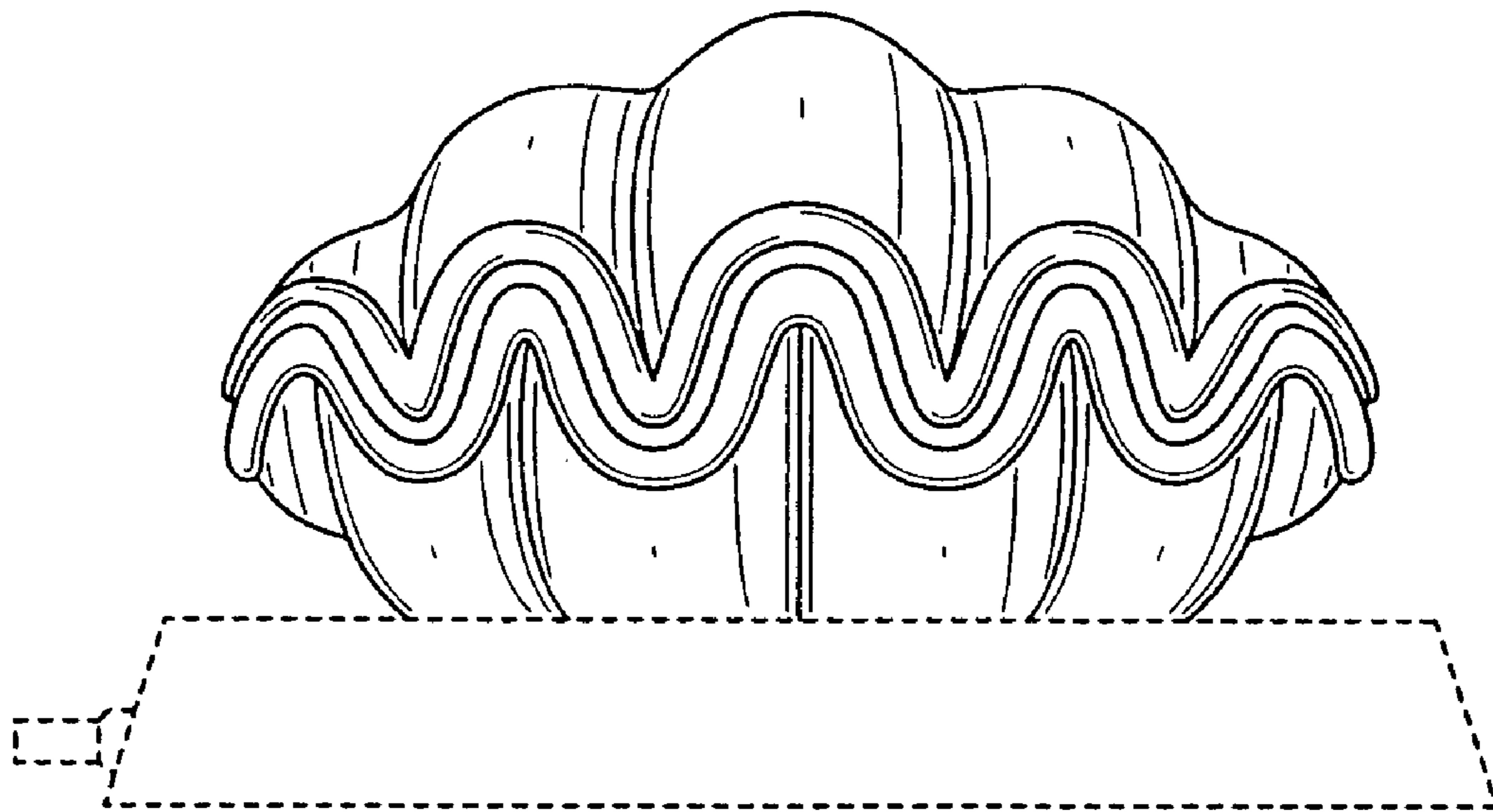


FIG. 2

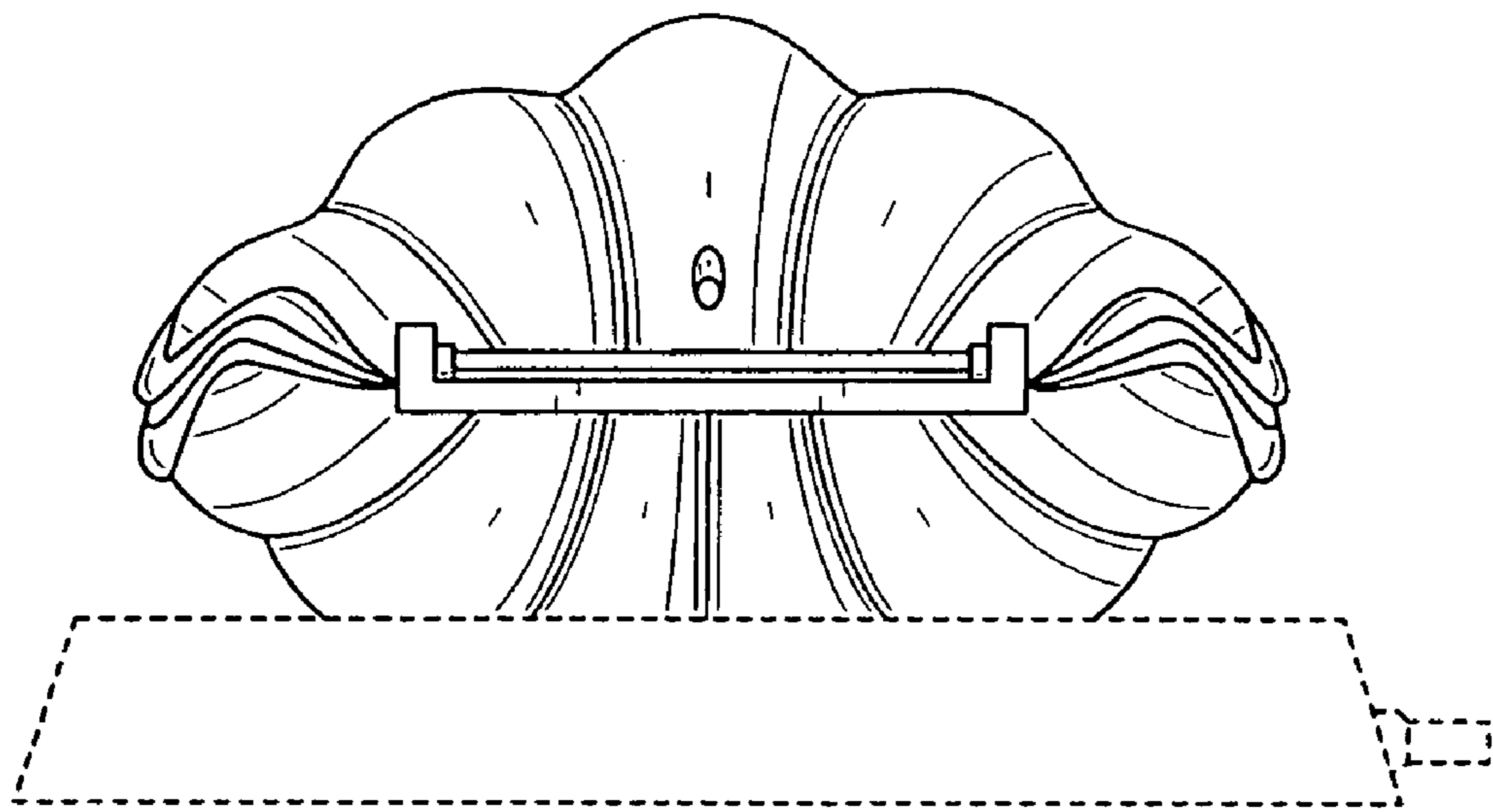


FIG. 3

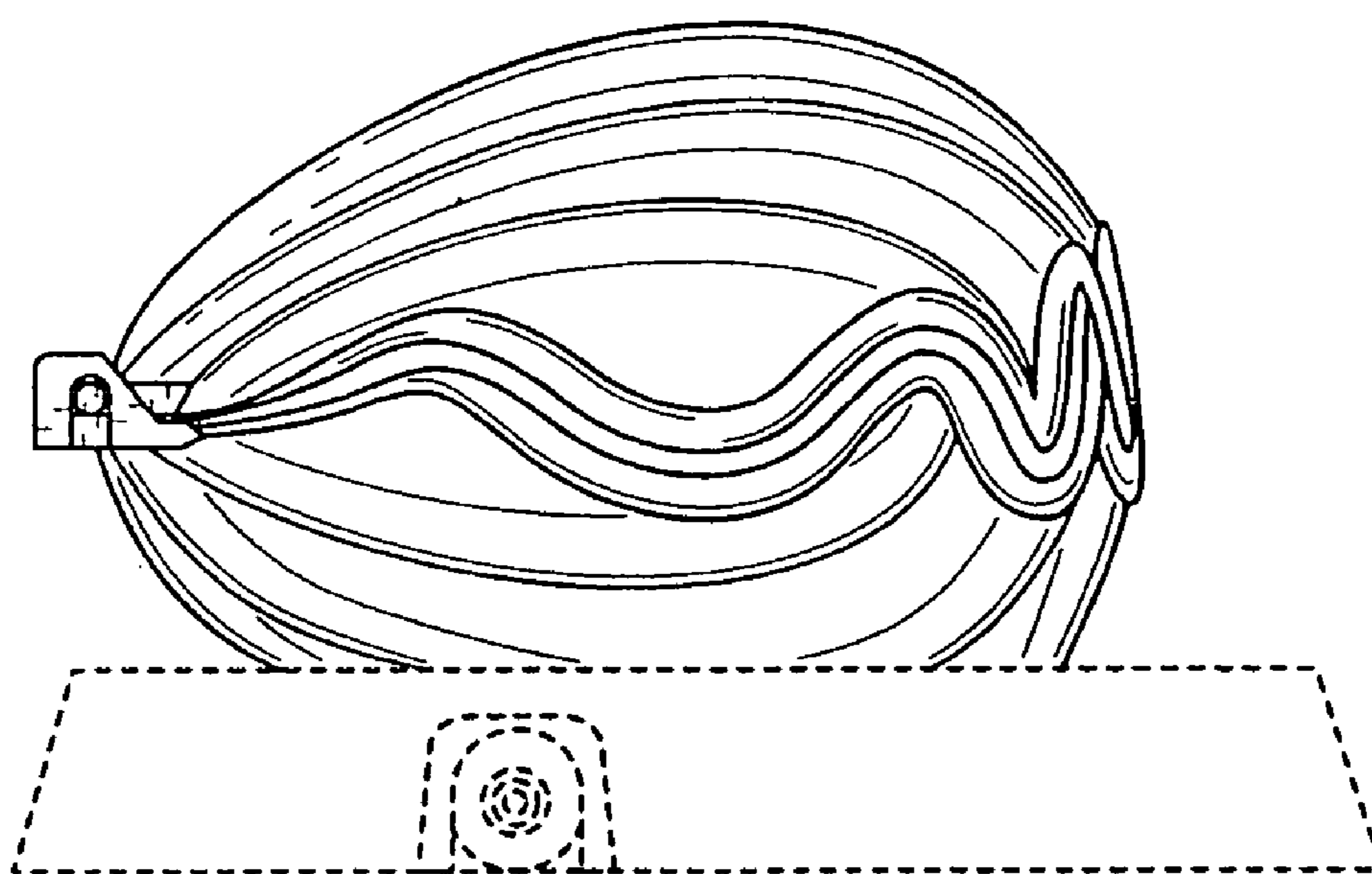


FIG. 4

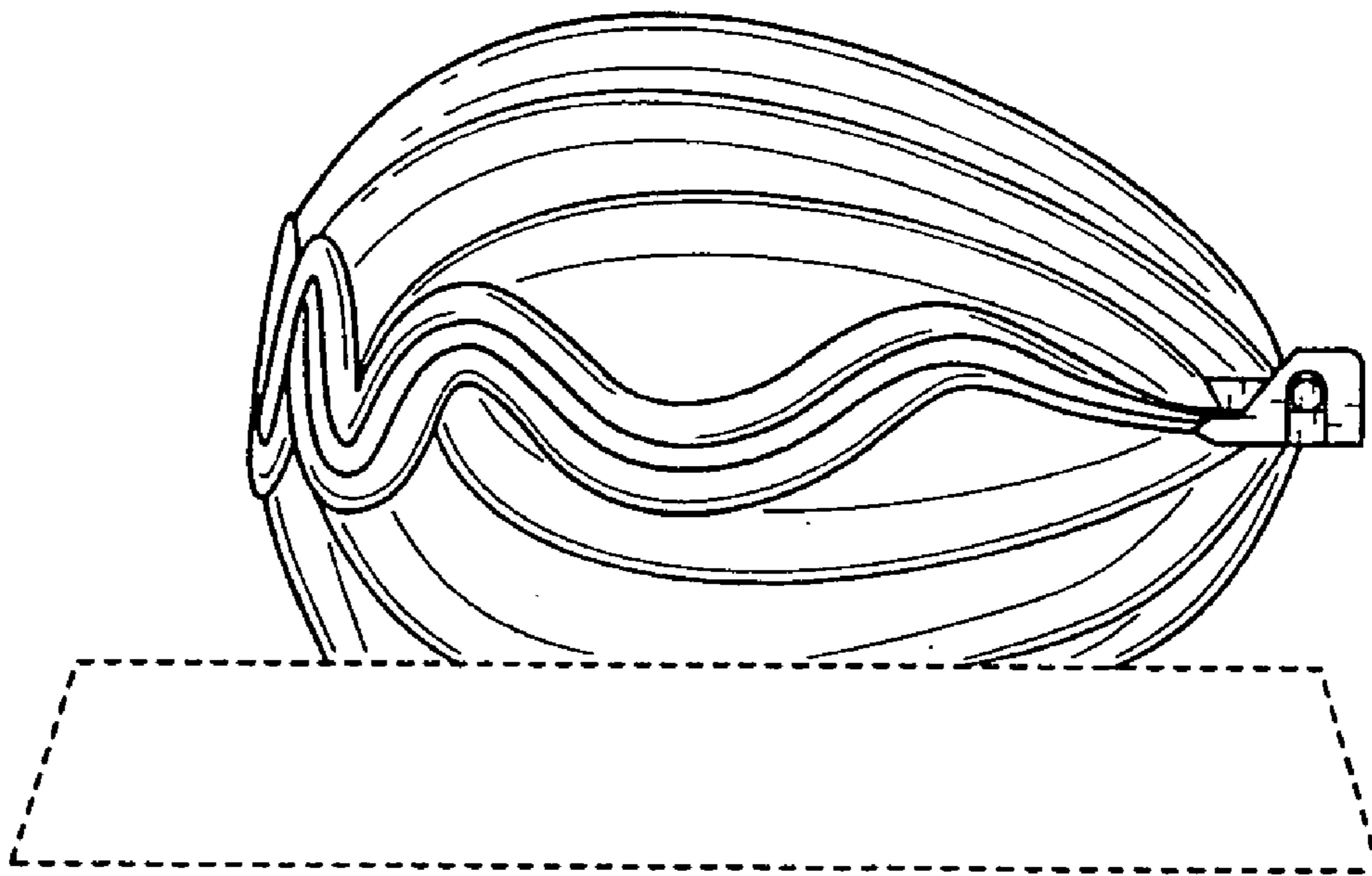


FIG. 5

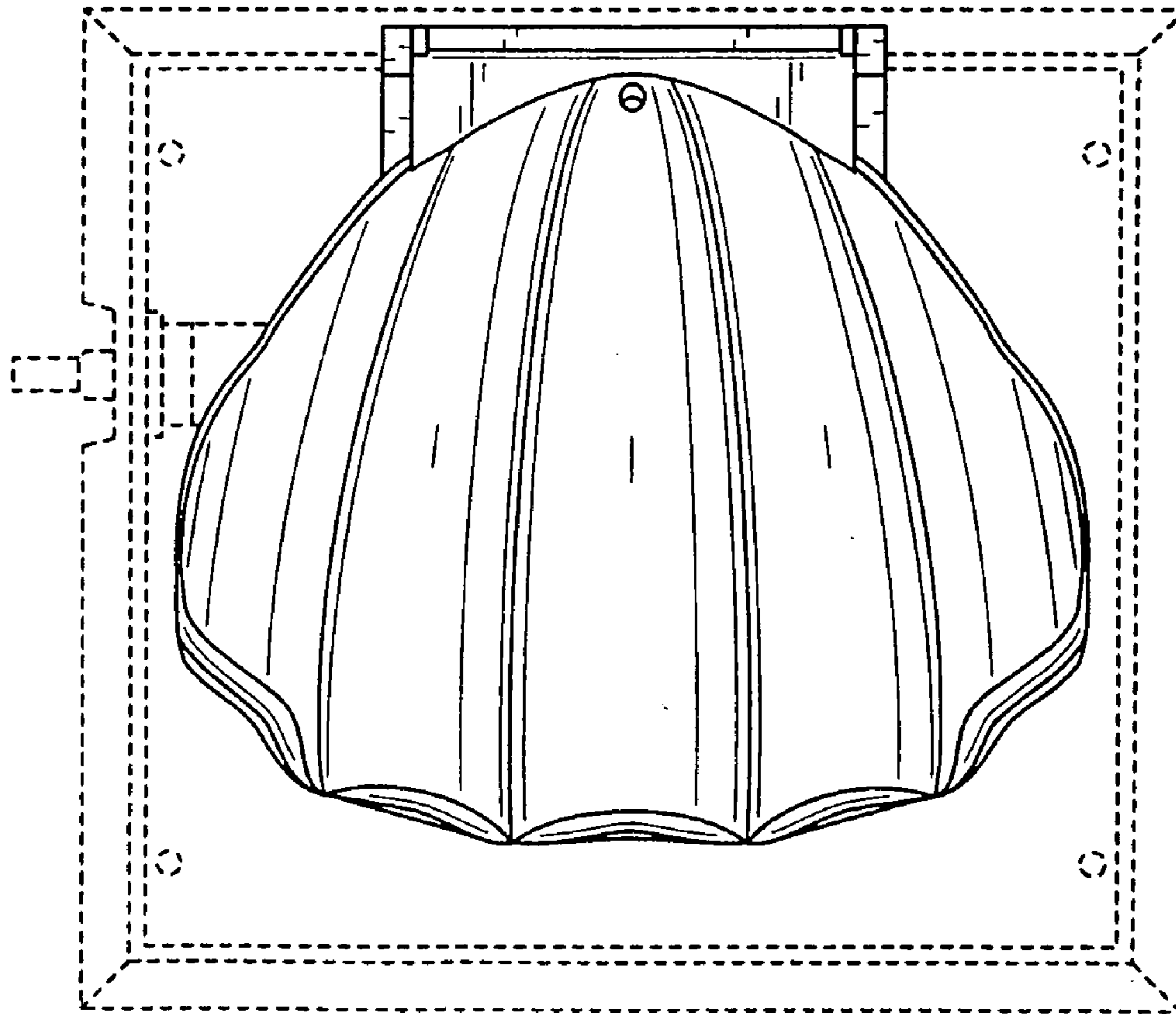


FIG. 6

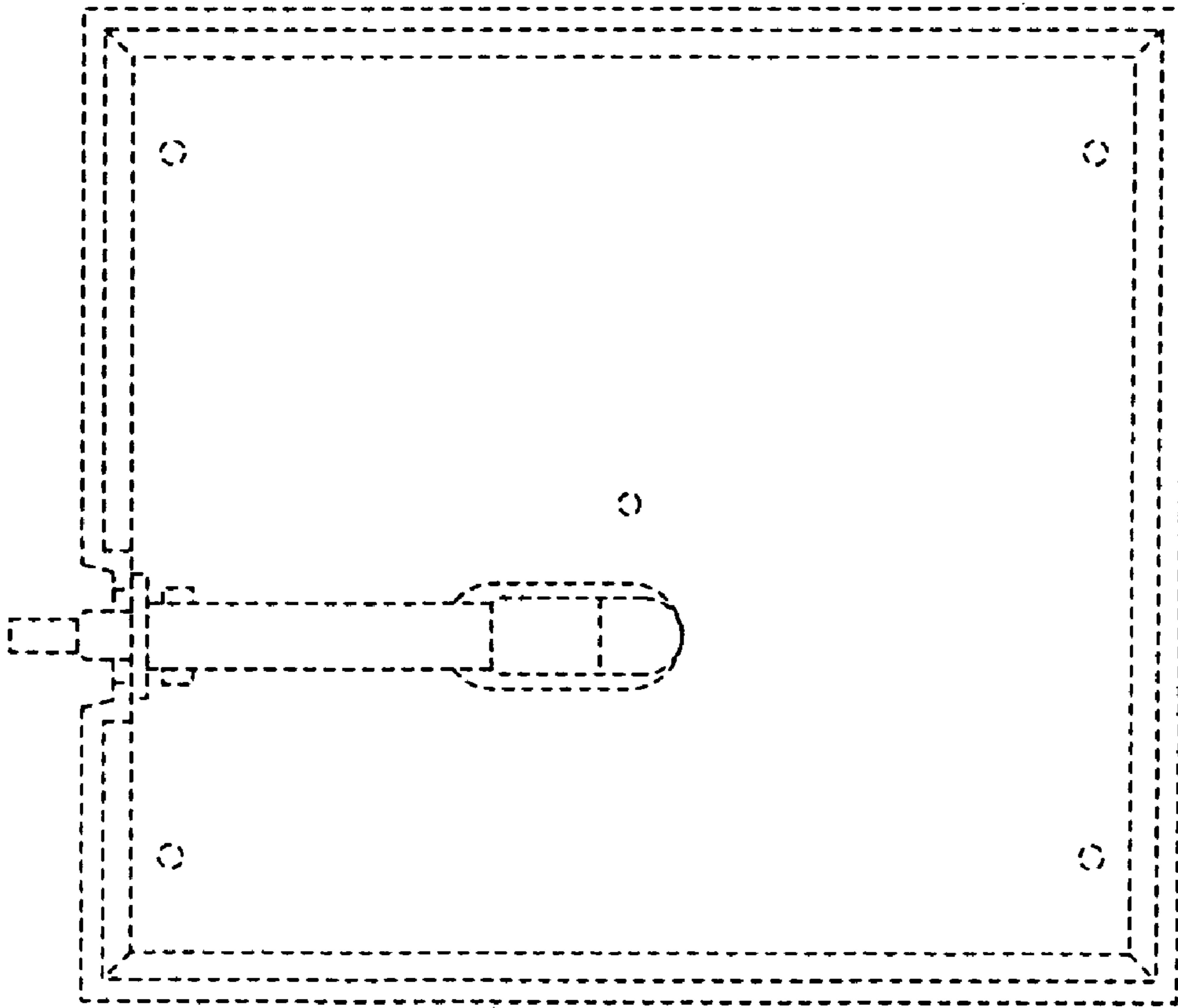


FIG. 7

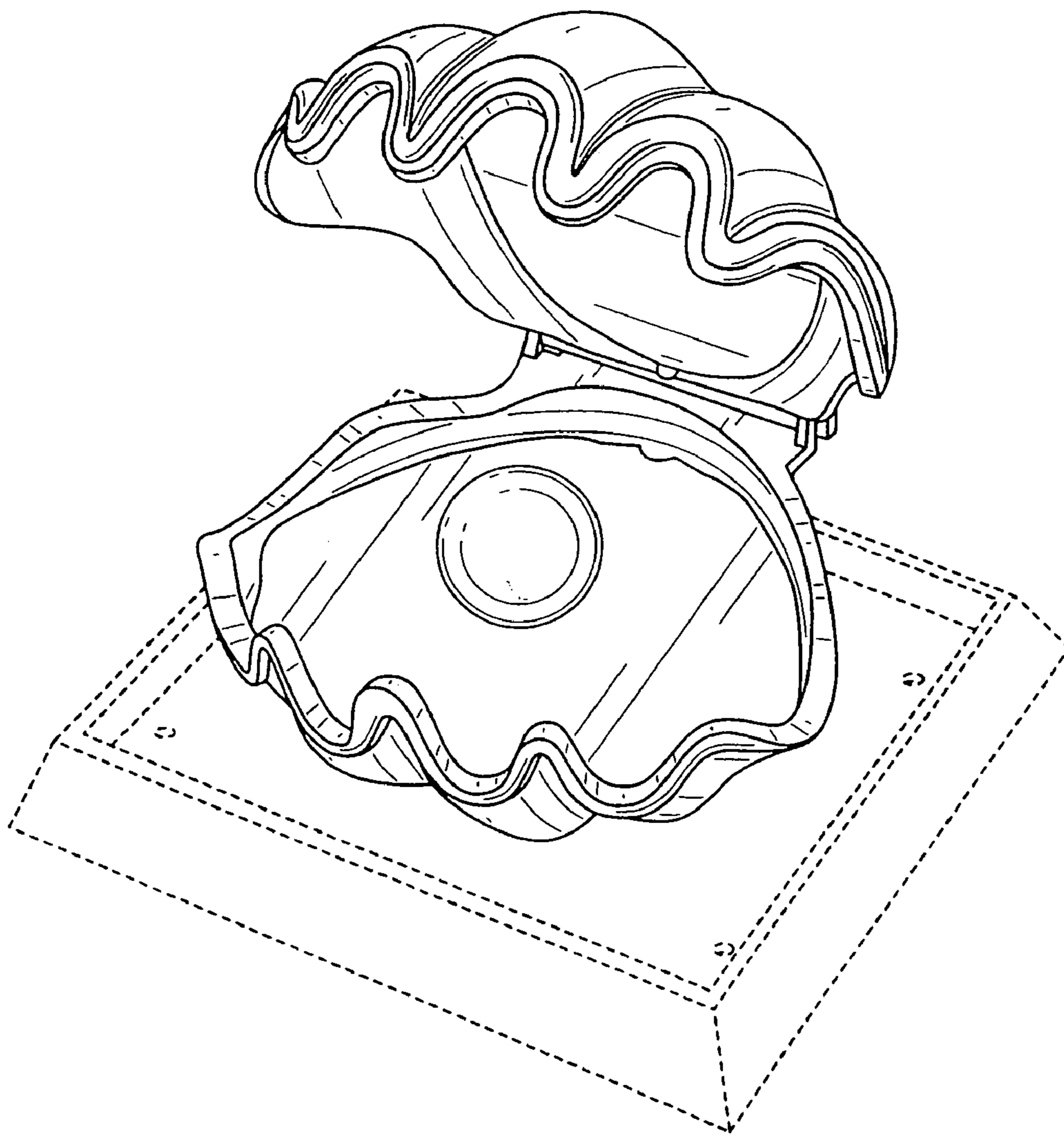


FIG. 8

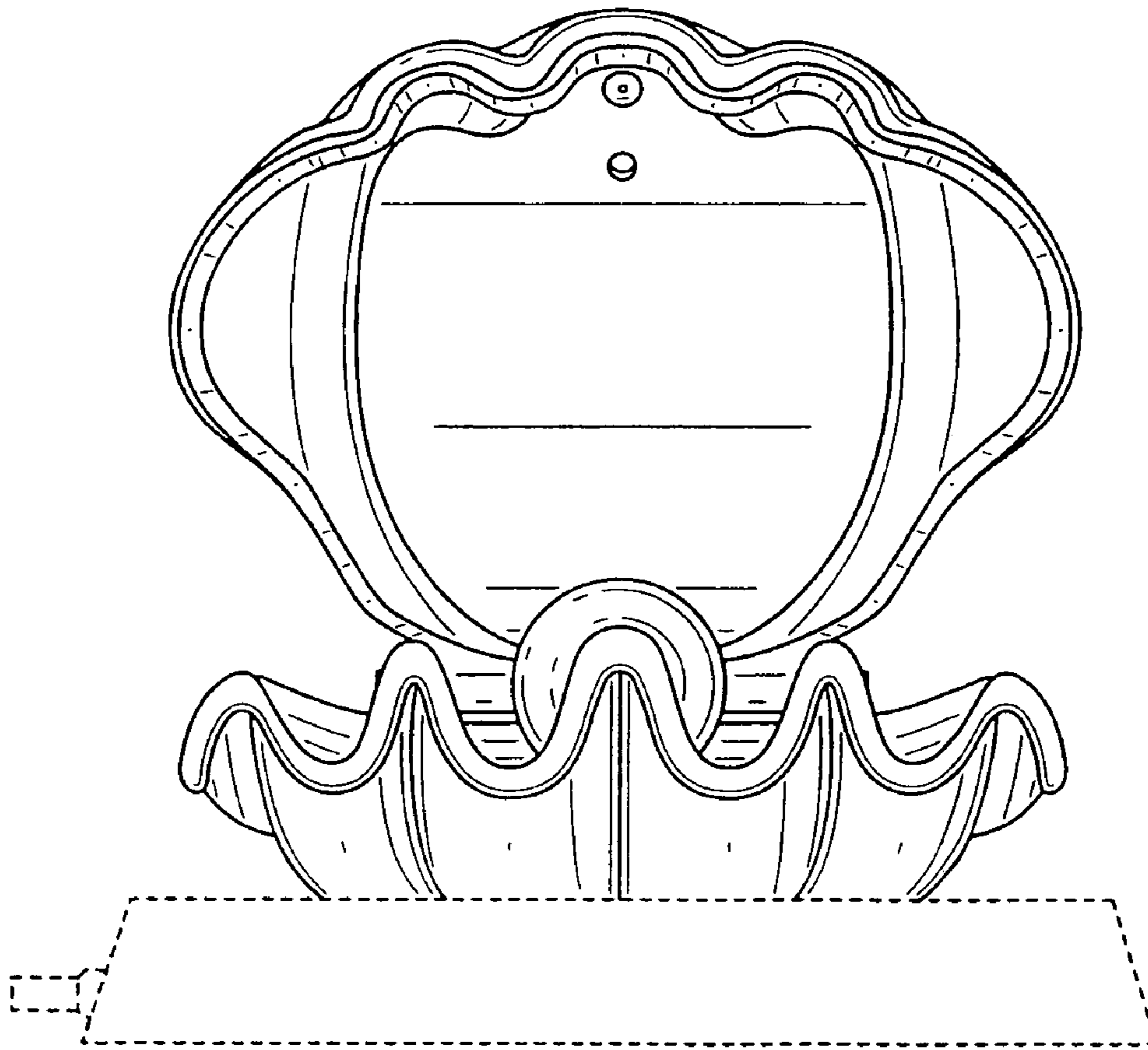


FIG. 9

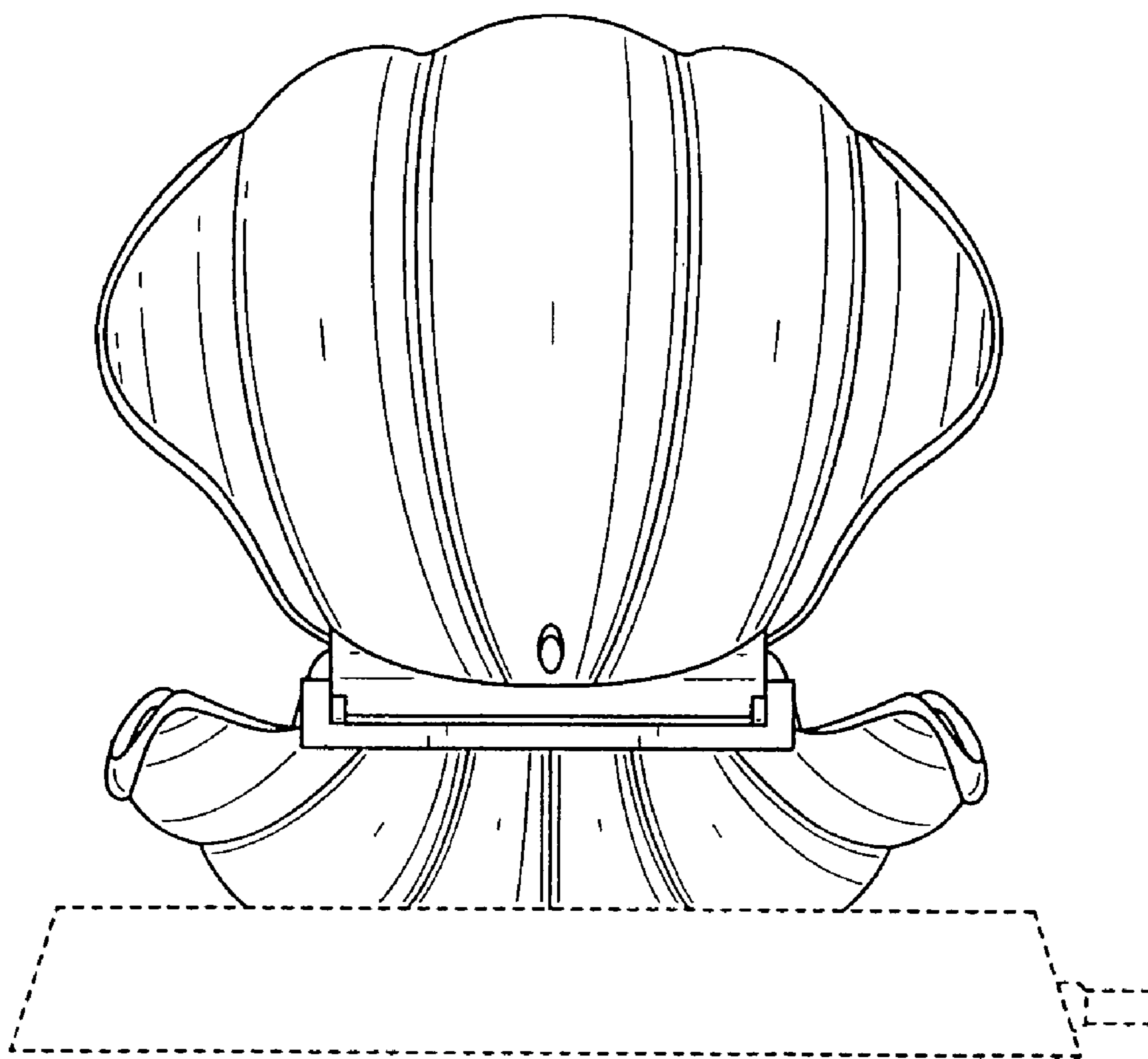


FIG. 10

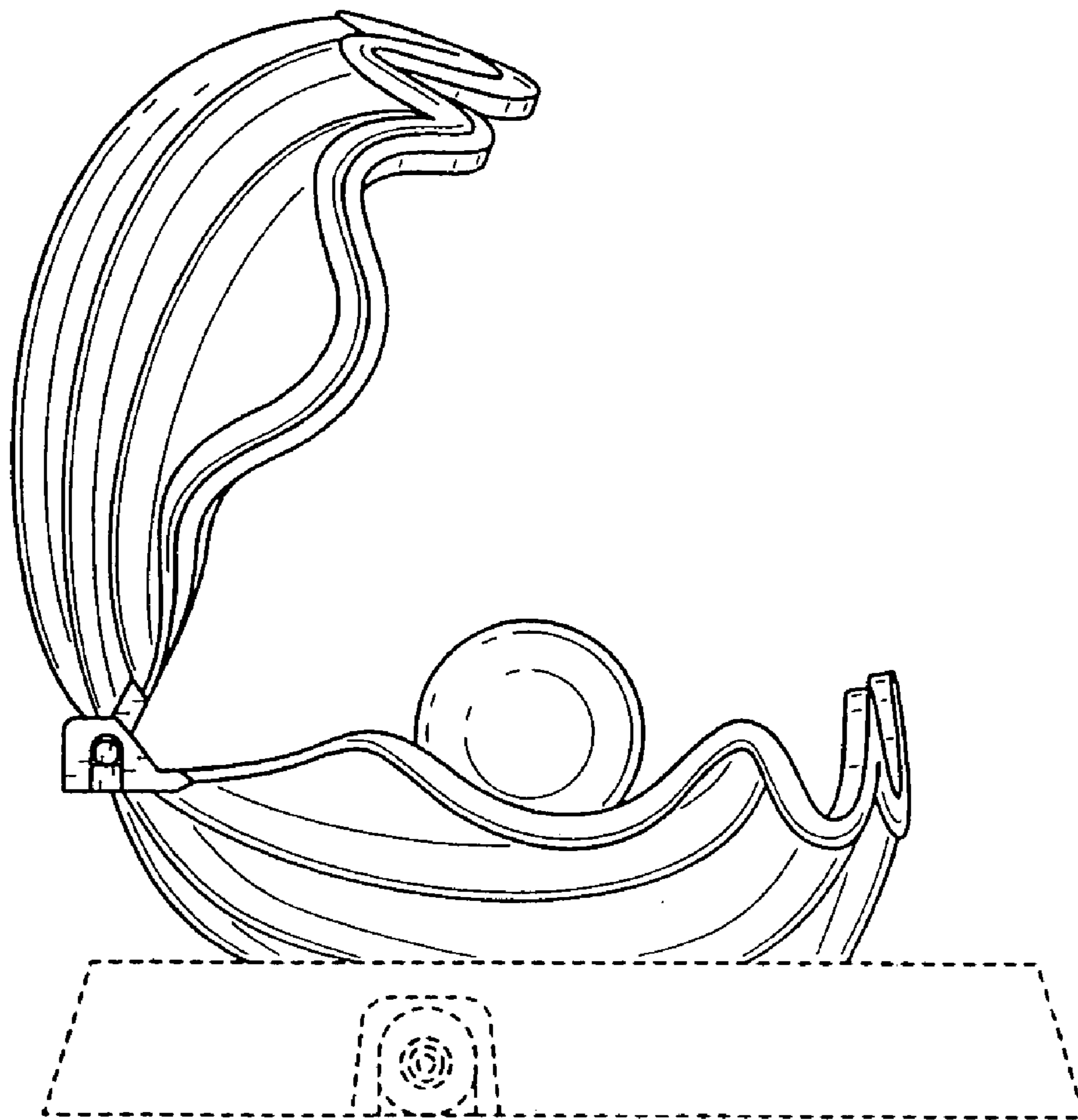


FIG. 11

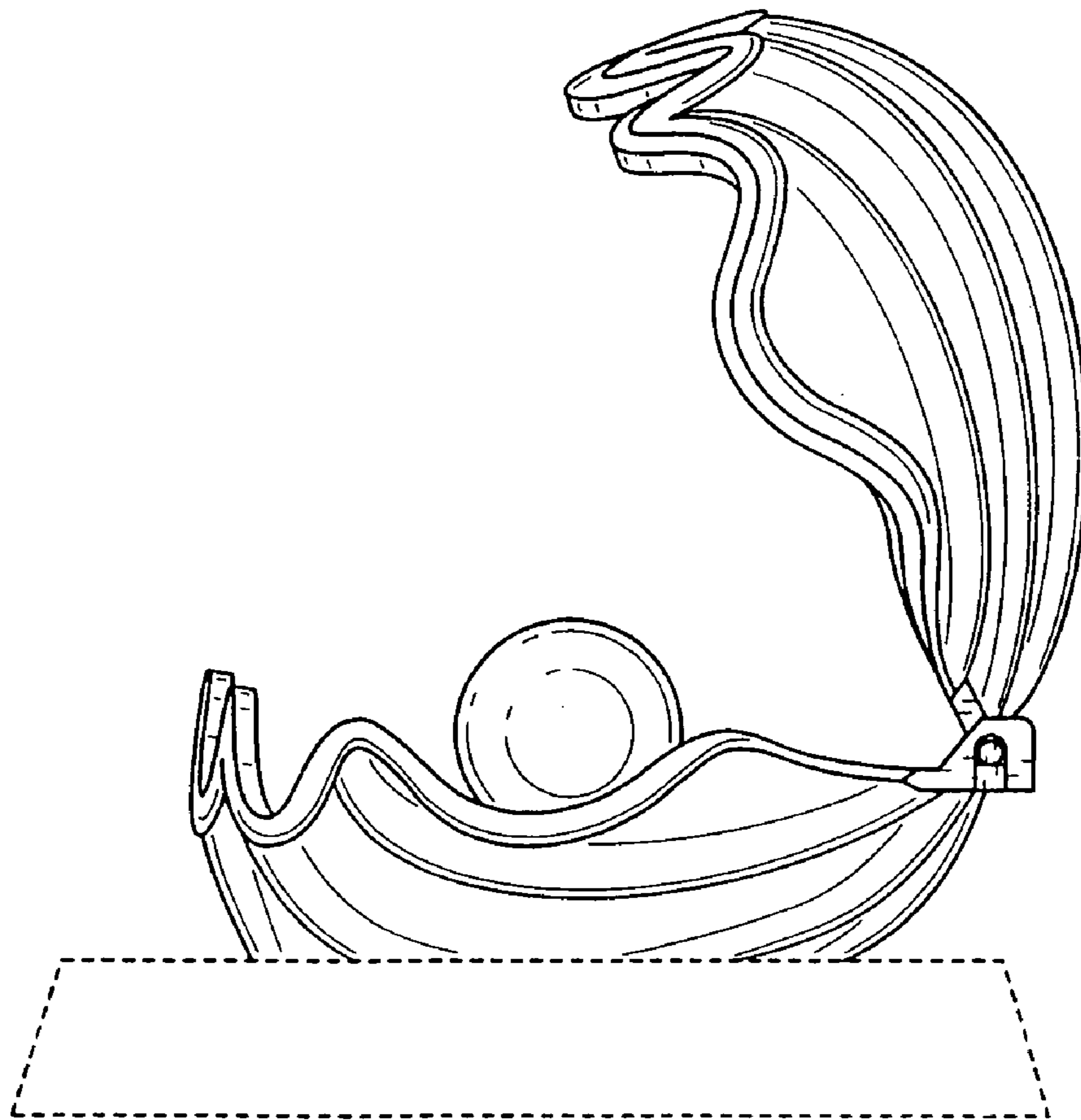


FIG. 12

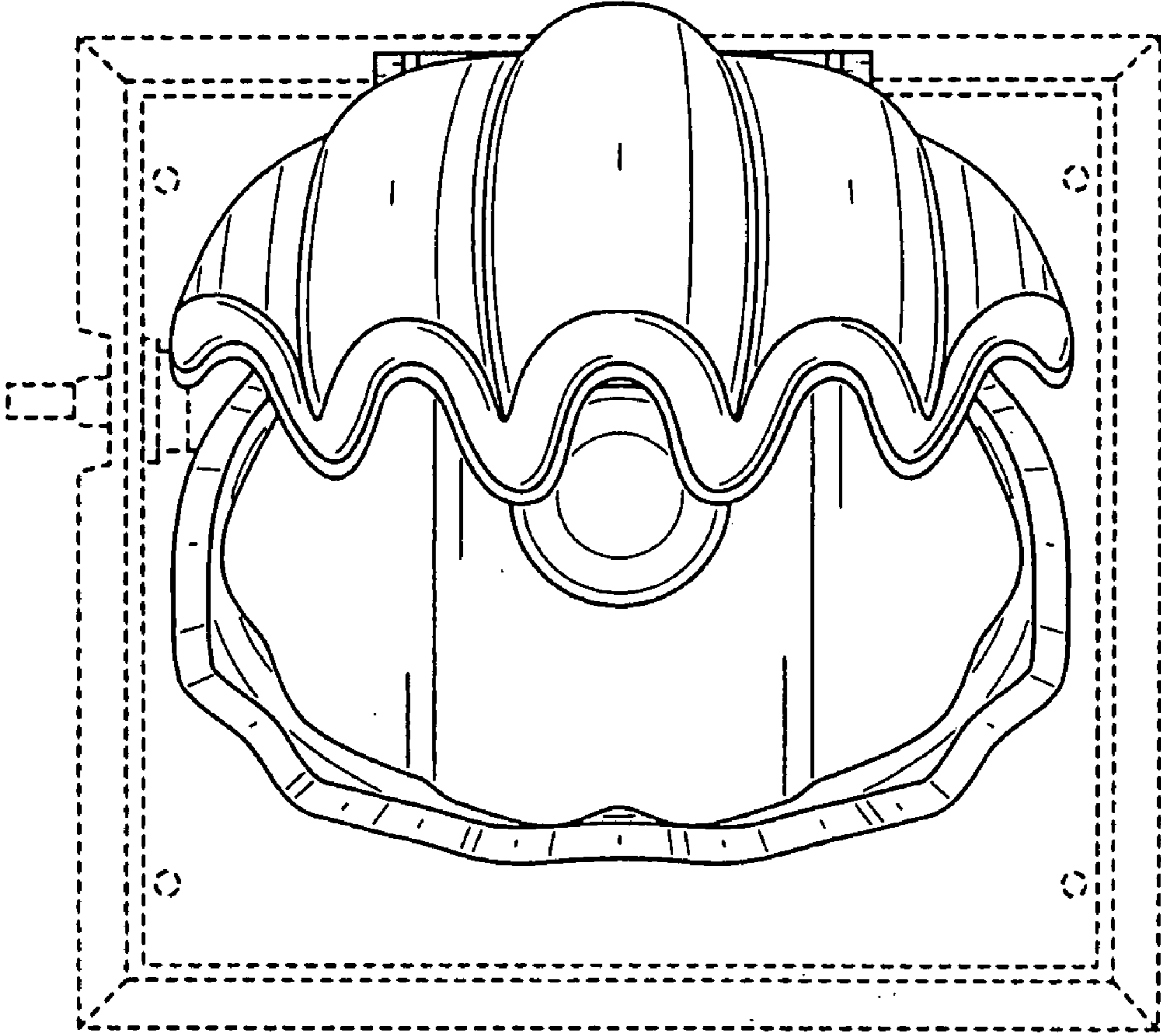


FIG. 13

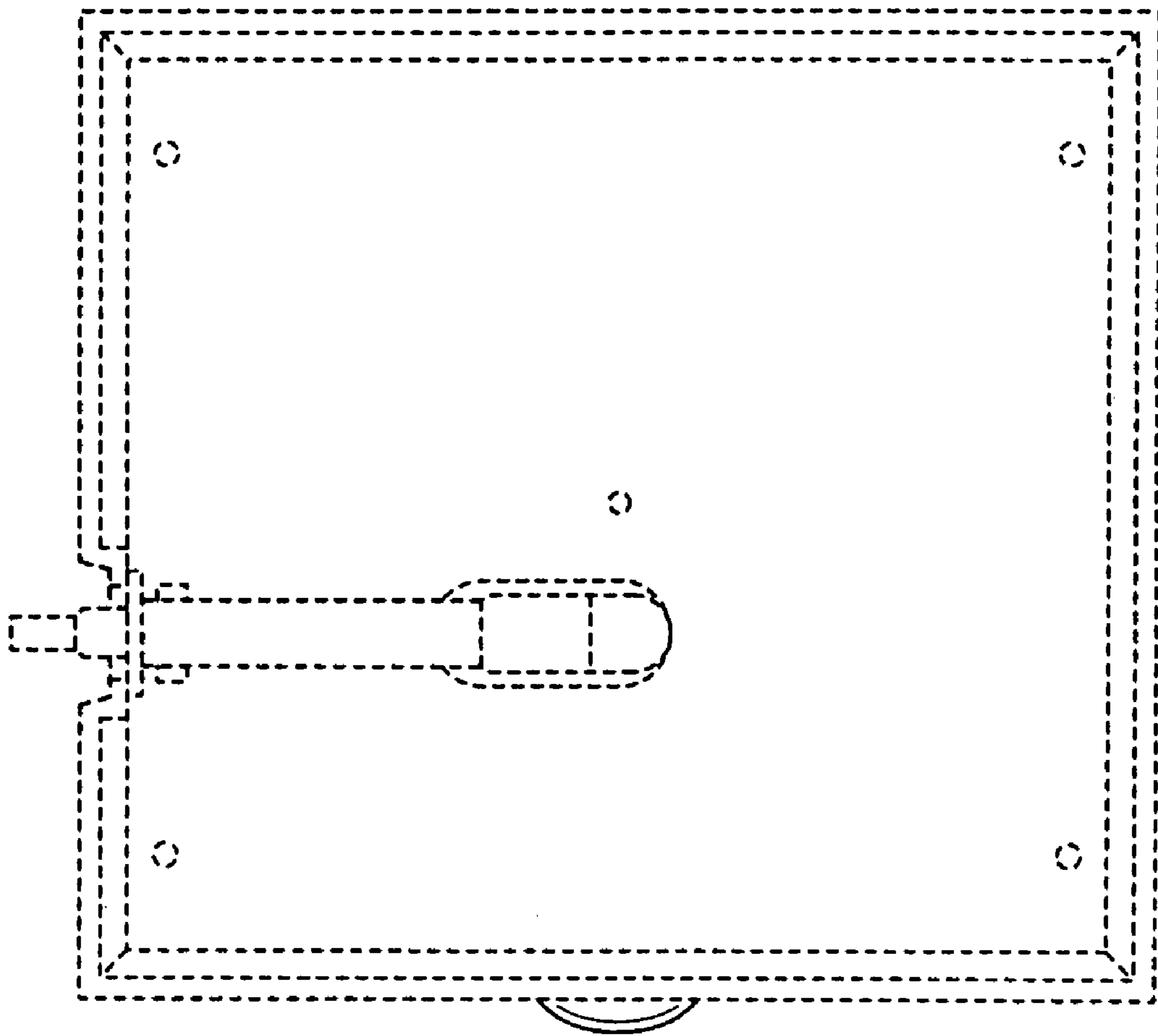


FIG. 14

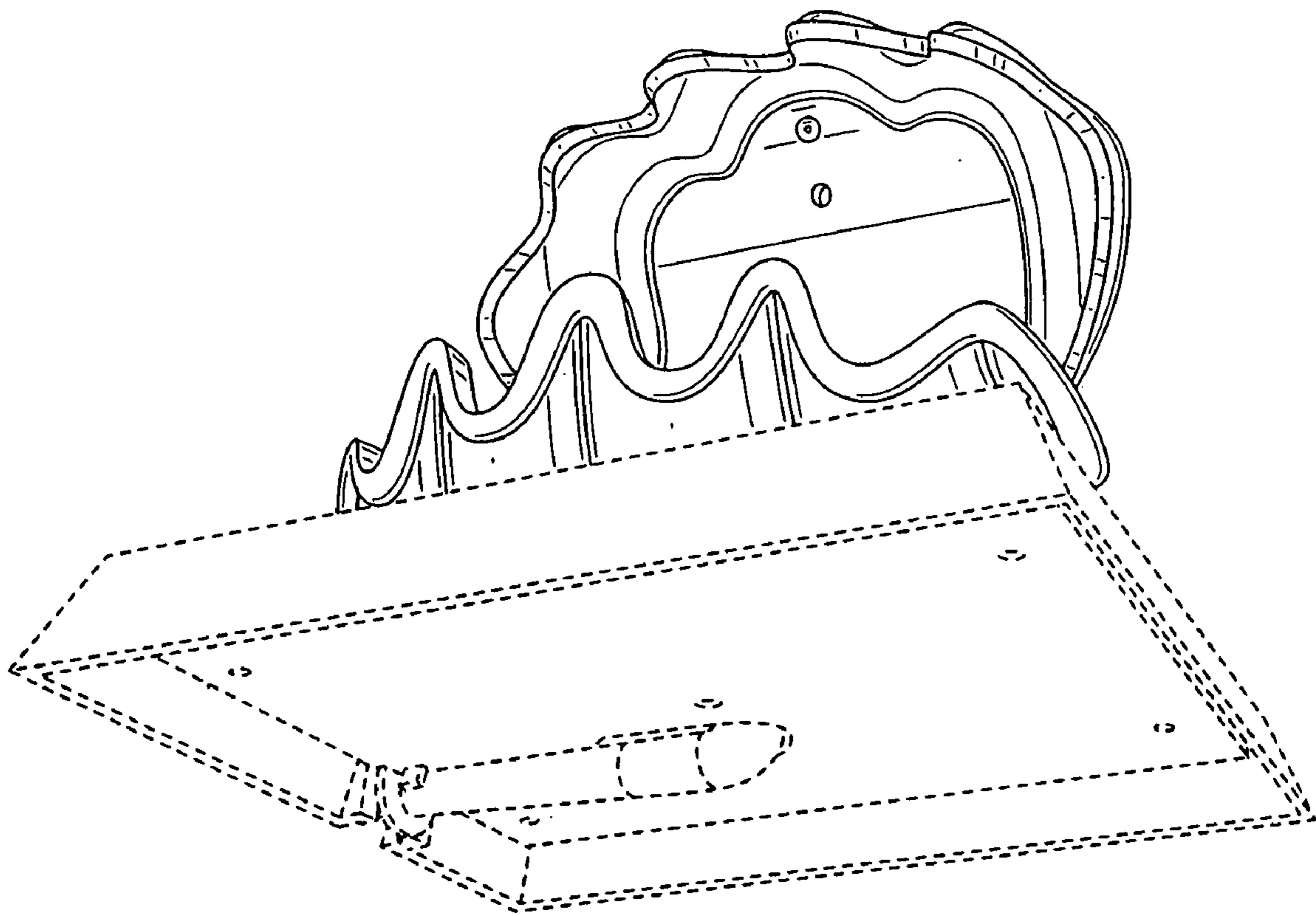


FIG. 15