



US00D554802S

(12) **United States Design Patent**
Pitot

(10) **Patent No.:** **US D554,802 S**

(45) **Date of Patent:** **** Nov. 6, 2007**

(54) **MIRROR KIT**

D462,809 S * 9/2002 LaSpina et al. D28/78
D504,743 S * 5/2005 Kostow D28/78

(75) Inventor: **Bruce Pitot**, Mahwah, NJ (US)

* cited by examiner

(73) Assignee: **Floxite Company, Inc.**, Mahwah, NJ (US)

Primary Examiner—Jennifer Rivard

(74) *Attorney, Agent, or Firm*—Pearne & Gordon LLP

(**) Term: **14 Years**

(21) Appl. No.: **29/237,952**

(57) **CLAIM**

(22) Filed: **Sep. 8, 2005**

The ornamental design for mirror kit, as shown and described.

(51) **LOC (8) Cl.** **28-03**

(52) **U.S. Cl.** **D28/64.3; D28/83**

(58) **Field of Classification Search** D28/64.1,
D28/64.3, 76-83; 132/286, 287, 293-307,
132/312-318; 206/581, 823
See application file for complete search history.

DESCRIPTION

(56) **References Cited**

U.S. PATENT DOCUMENTS

1,959,629	A *	5/1934	Kasdan et al.	132/297
2,628,625	A *	2/1953	Pike	132/315
D262,150	S *	12/1981	Sussman	D28/83
D285,177	S *	8/1986	Goetz	D28/83
D326,226	S *	5/1992	Gerhart	D28/78
D339,883	S *	9/1993	Madar	D28/83
D352,601	S *	11/1994	Dallaire	D28/78
D428,208	S *	7/2000	Nodarse	D28/77
D453,859	S *	2/2002	Spearman	D28/77

FIG. 1 is a perspective view of the mirror kit in an open position;

FIG. 2 is a front elevational view thereof in an open position;

FIG. 3 is a top view thereof in an open position;

FIG. 4 is a right side elevational view thereof in an open position;

FIG. 5 is a bottom view thereof in an open position;

FIG. 6 is a back elevational view thereof in an open position; and,

FIG. 7 is a perspective view thereof in a closed position.

The broken lines are shown for illustrative purposes only and form no part of the claimed design.

1 Claim, 4 Drawing Sheets

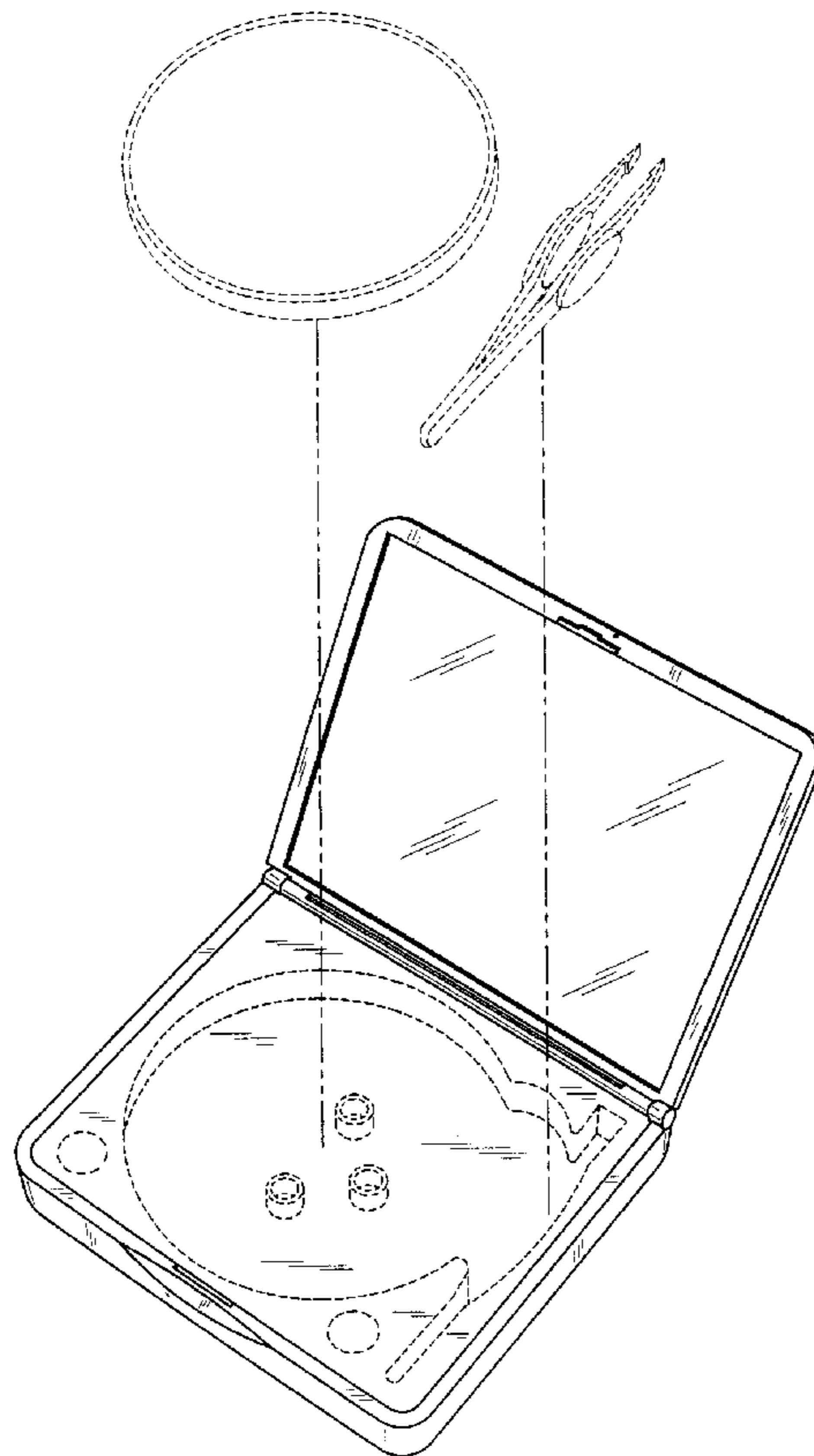
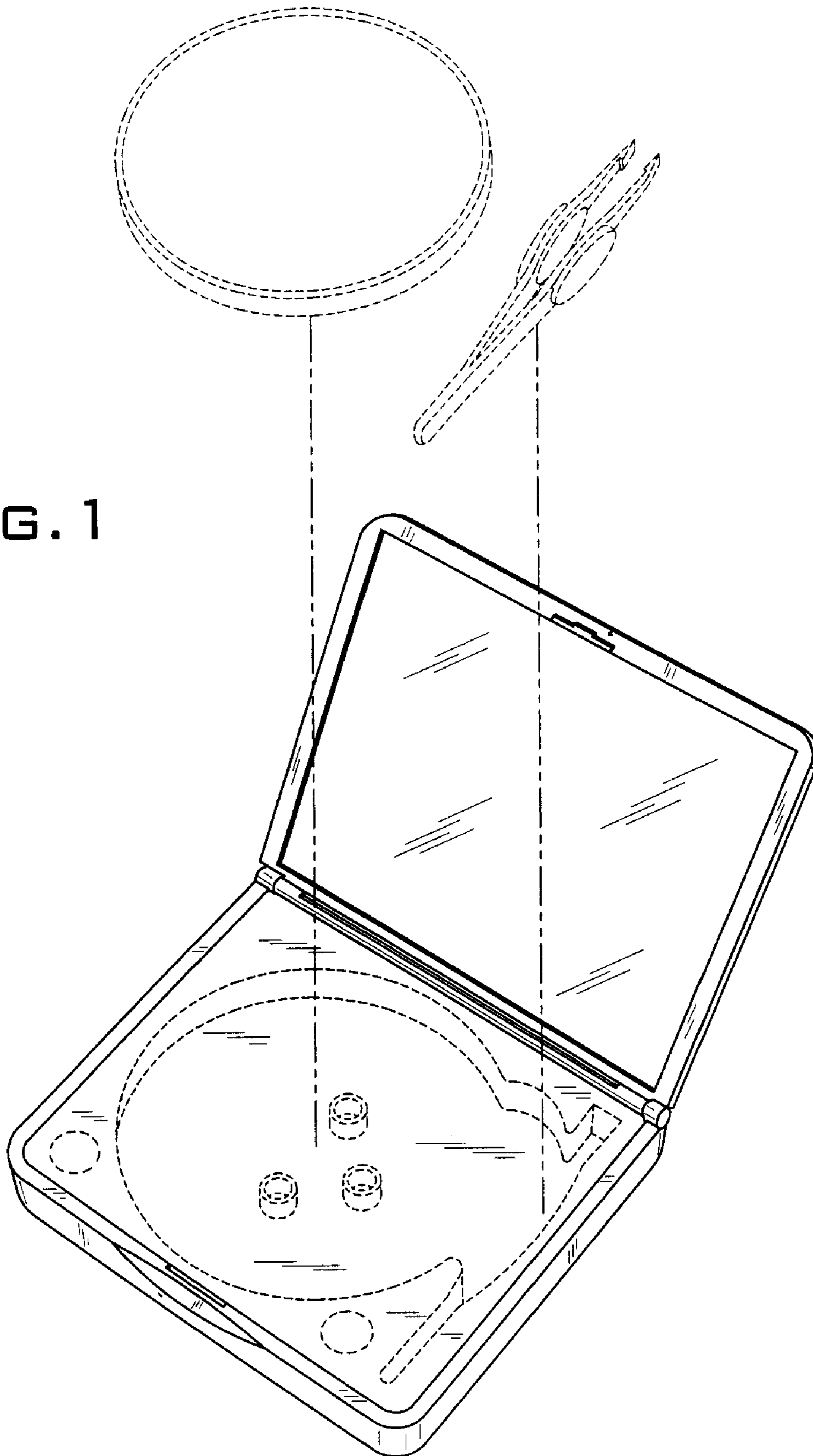


FIG. 1



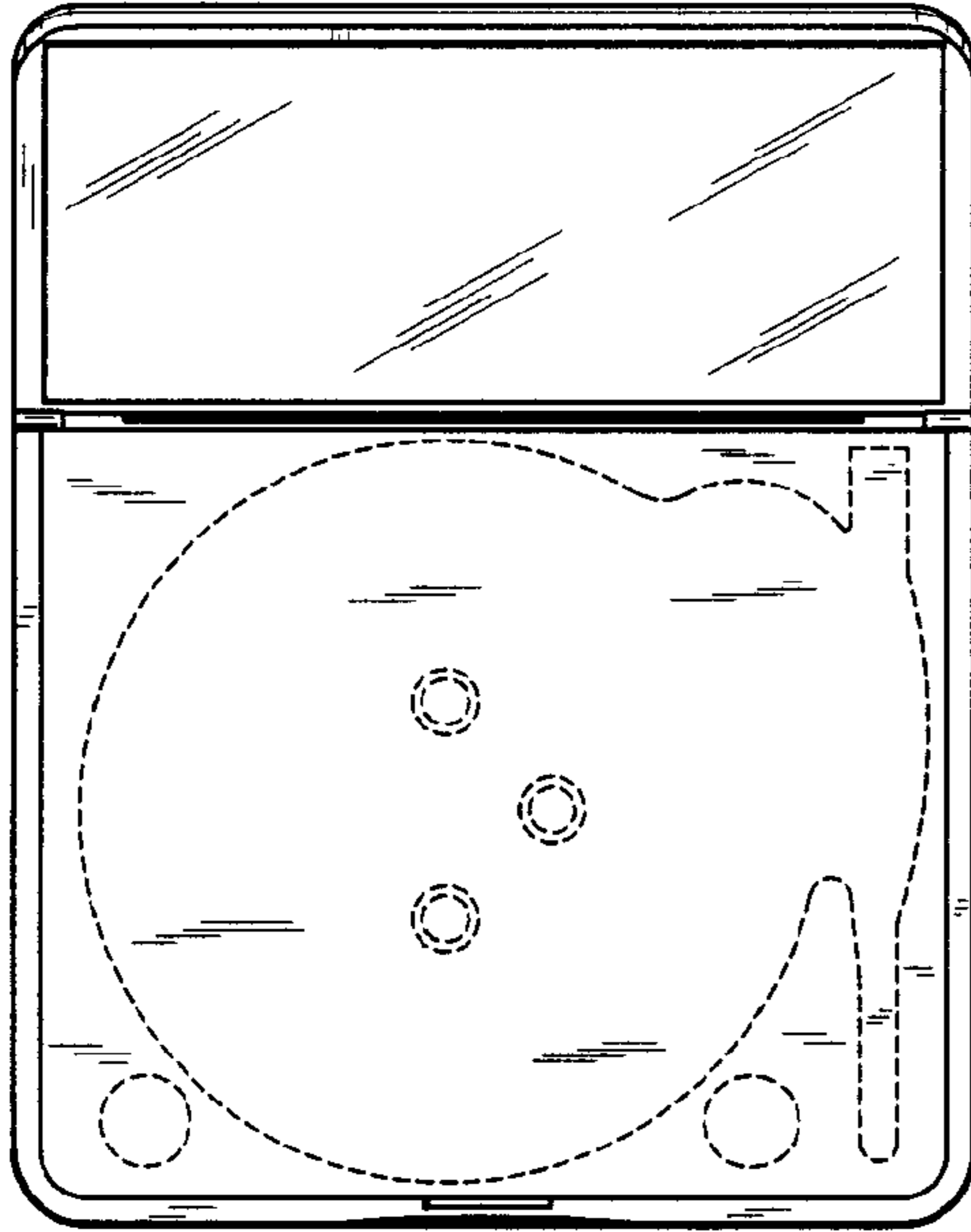


FIG. 3

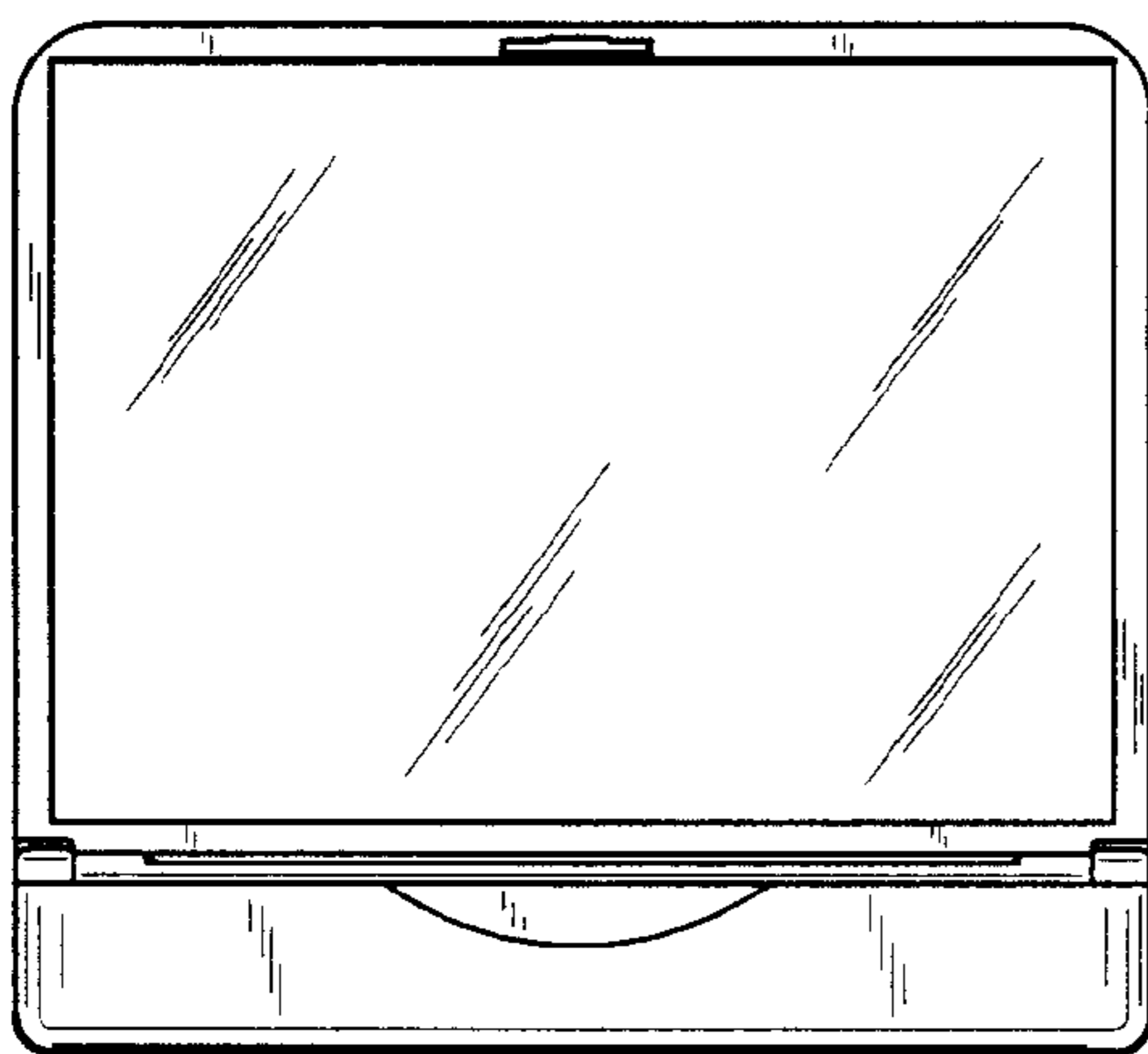


FIG. 2

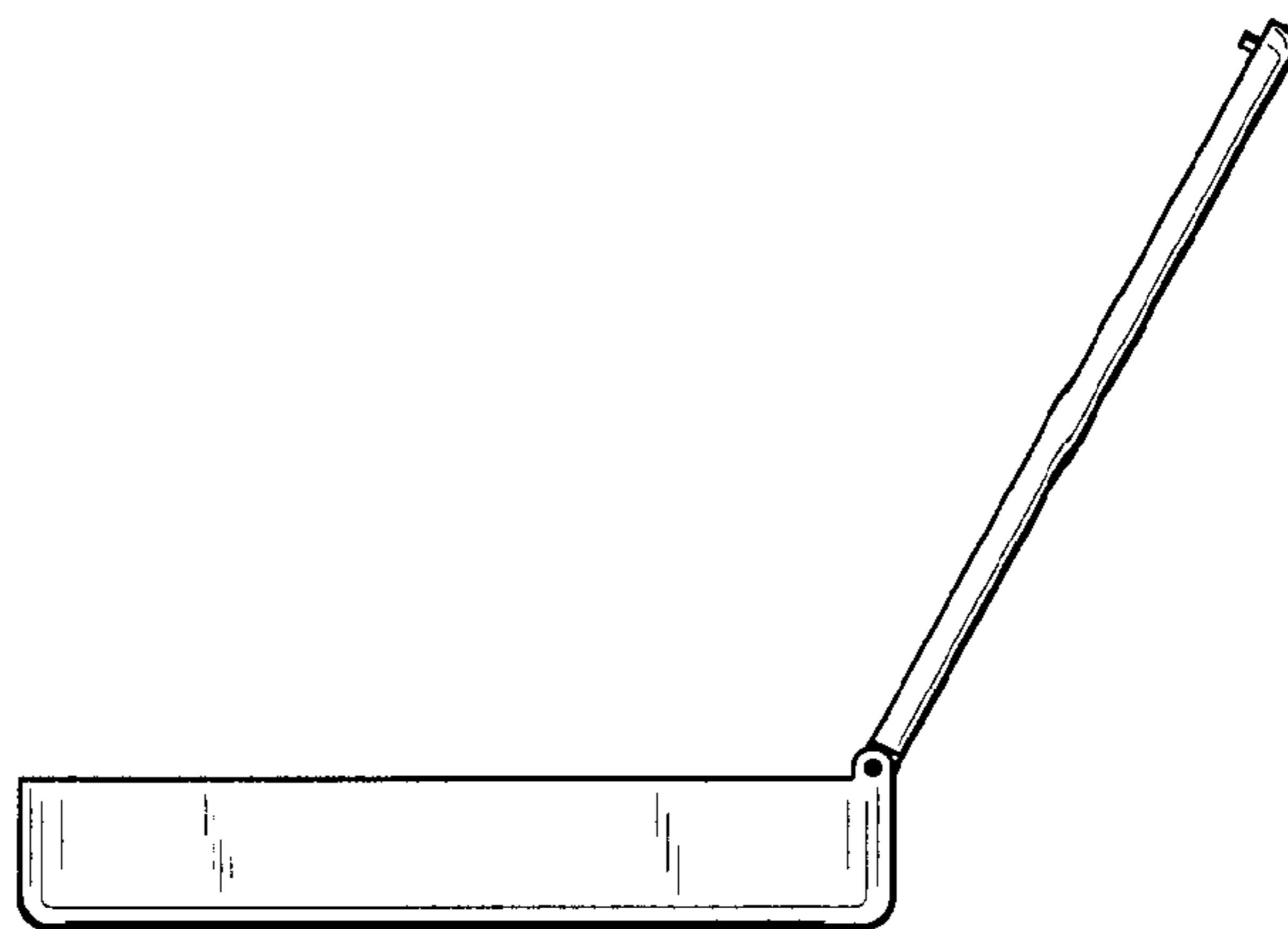


FIG. 4

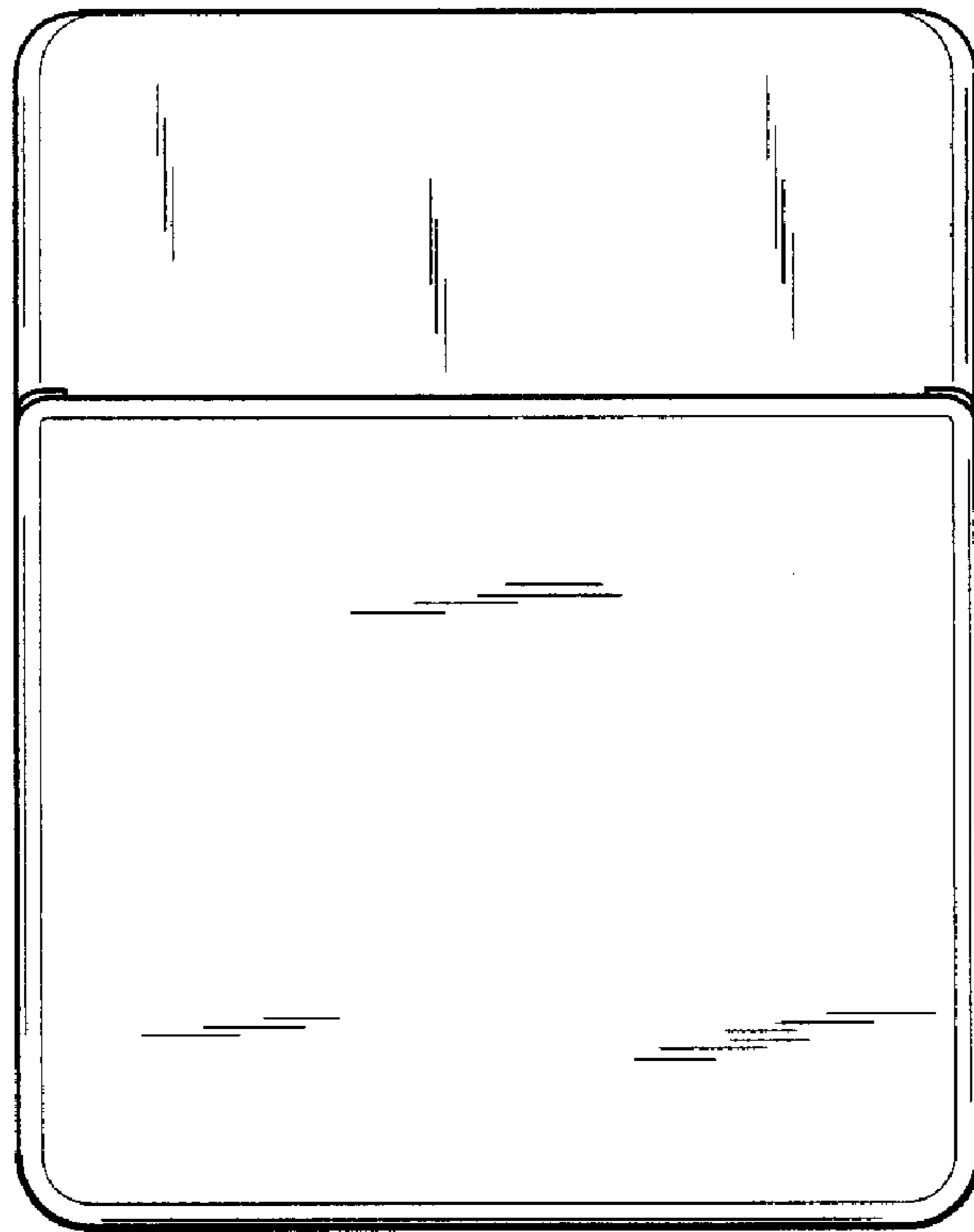


FIG. 5

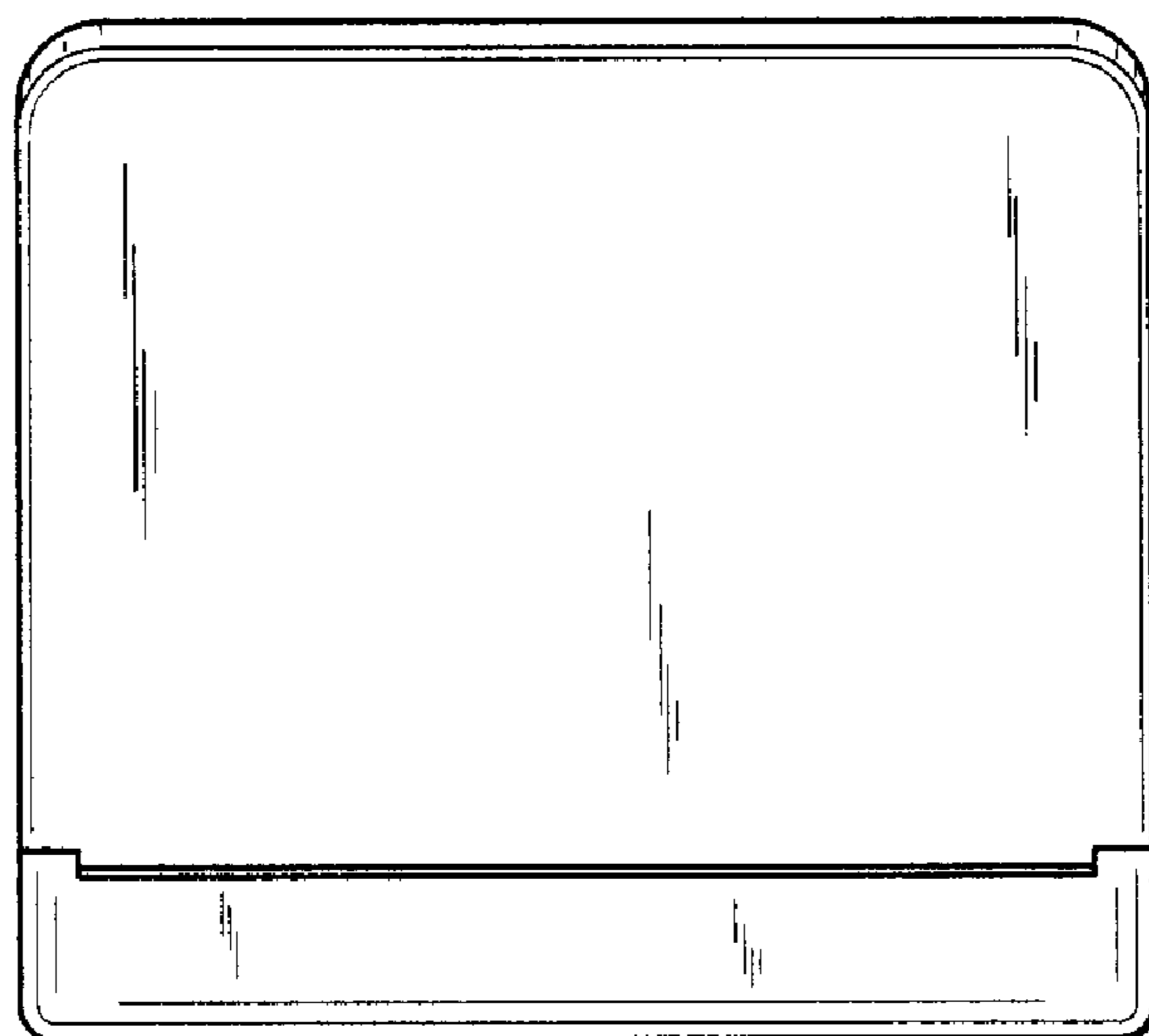


FIG. 6

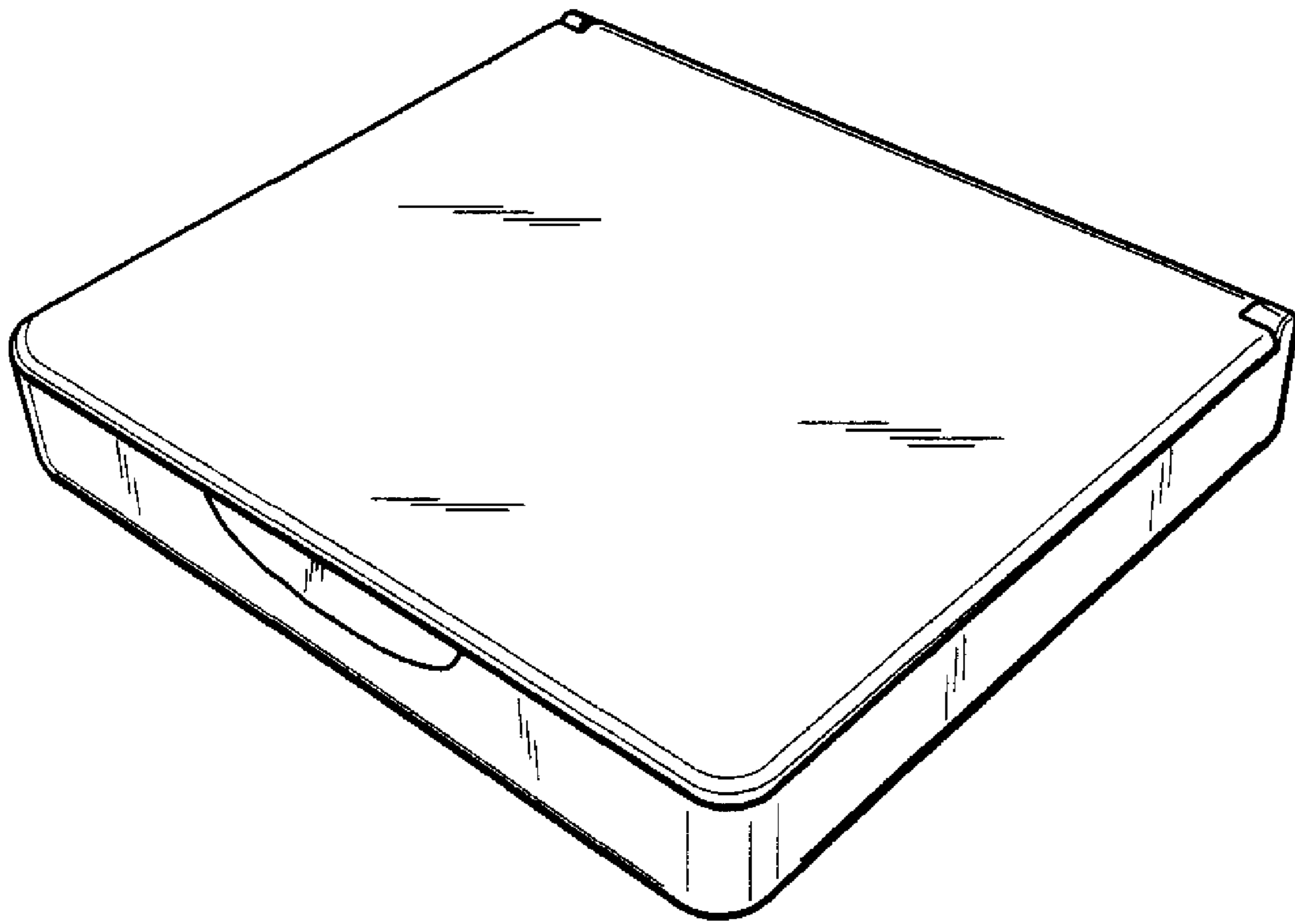


FIG. 7