



US00D554798S

(12) **United States Design Patent**
Ryan

(10) **Patent No.:** **US D554,798 S**

(45) **Date of Patent:** **** Nov. 6, 2007**

(54) **LOTION APPLICATOR**

(75) Inventor: **Garth Ryan**, Helensburgh (AU)

(73) Assignee: **SKL Solutions International Pty Ltd.**,
Waterloo, NSW (AU)

(**) Term: **14 Years**

(21) Appl. No.: **29/246,383**

(22) Filed: **Apr. 5, 2006**

(30) **Foreign Application Priority Data**

Oct. 10, 2005 (AU) 14447/2005

(51) **LOC (8) Cl.** **28-02**

(52) **U.S. Cl.** **D28/7**

(58) **Field of Classification Search** D28/7-8,
D28/91.1; D4/114, 127, 137; D32/40, 52;
15/104.93, 104.94, 209.1, 244.1, 244.4; 401/139,
401/196, 205; D21/713, 707; D23/360,
D23/362

See application file for complete search history.

(56) **References Cited**

U.S. PATENT DOCUMENTS

1,601,258	A *	9/1926	Pajer	128/203.17
D95,034	S *	4/1935	Frederick	D21/713
D101,804	S *	11/1936	Vuilleminot	D28/91.1
D188,232	S *	6/1960	Peyron	D28/7
D292,311	S *	10/1987	Joyaux et al.	D23/366
D422,692	S *	4/2000	Quinones	D23/367
D430,358	S *	8/2000	Papiernik	D28/91.1
D492,067	S *	6/2004	Garcia et al.	D28/91.1
D492,455	S *	6/2004	Herrenbruck	D30/160
D521,681	S *	5/2006	Xu	D27/148
D522,118	S *	5/2006	Miro	D23/366

D535,002 S * 1/2007 Caserta et al. D23/366
2005/0074270 A1 * 4/2005 Altonen et al. 401/190

* cited by examiner

Primary Examiner—Janice E. Seeger

Assistant Examiner—Zenia I. Bennett

(57) **CLAIM**

I claim the ornamental design for the lotion applicator, as shown and described.

DESCRIPTION

FIG. 1 is a front elevation view of a lotion applicator, showing my ornamental design;

FIG. 2 is a right hand side elevation view of the lotion applicator;

FIG. 3 is a left hand side elevation view of the lotion applicator;

FIG. 4 is a top plan view of the lotion applicator;

FIG. 5 is a rear elevator view of the lotion applicator;

FIG. 6 is a bottom plan view of the lotion applicator;

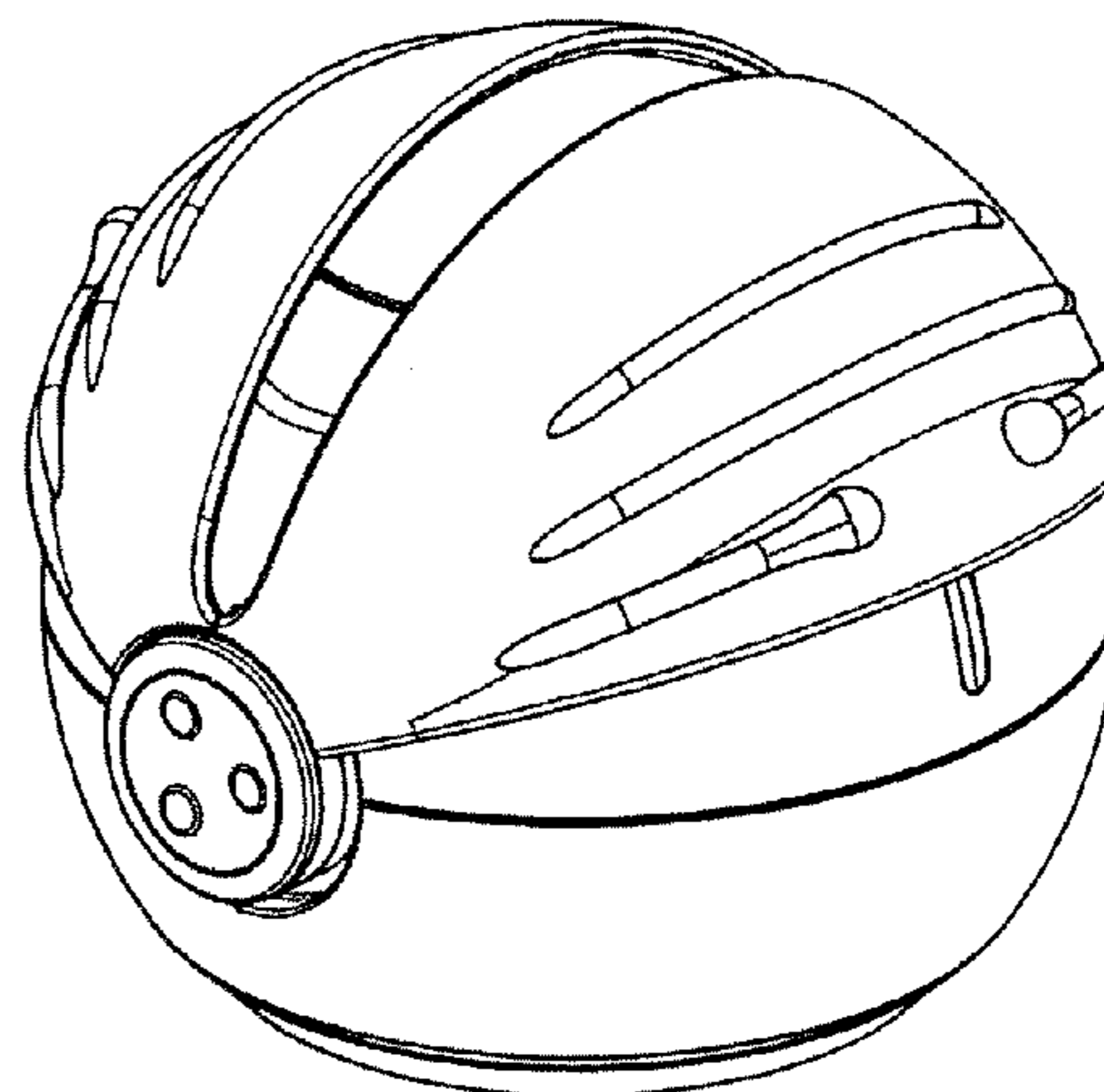
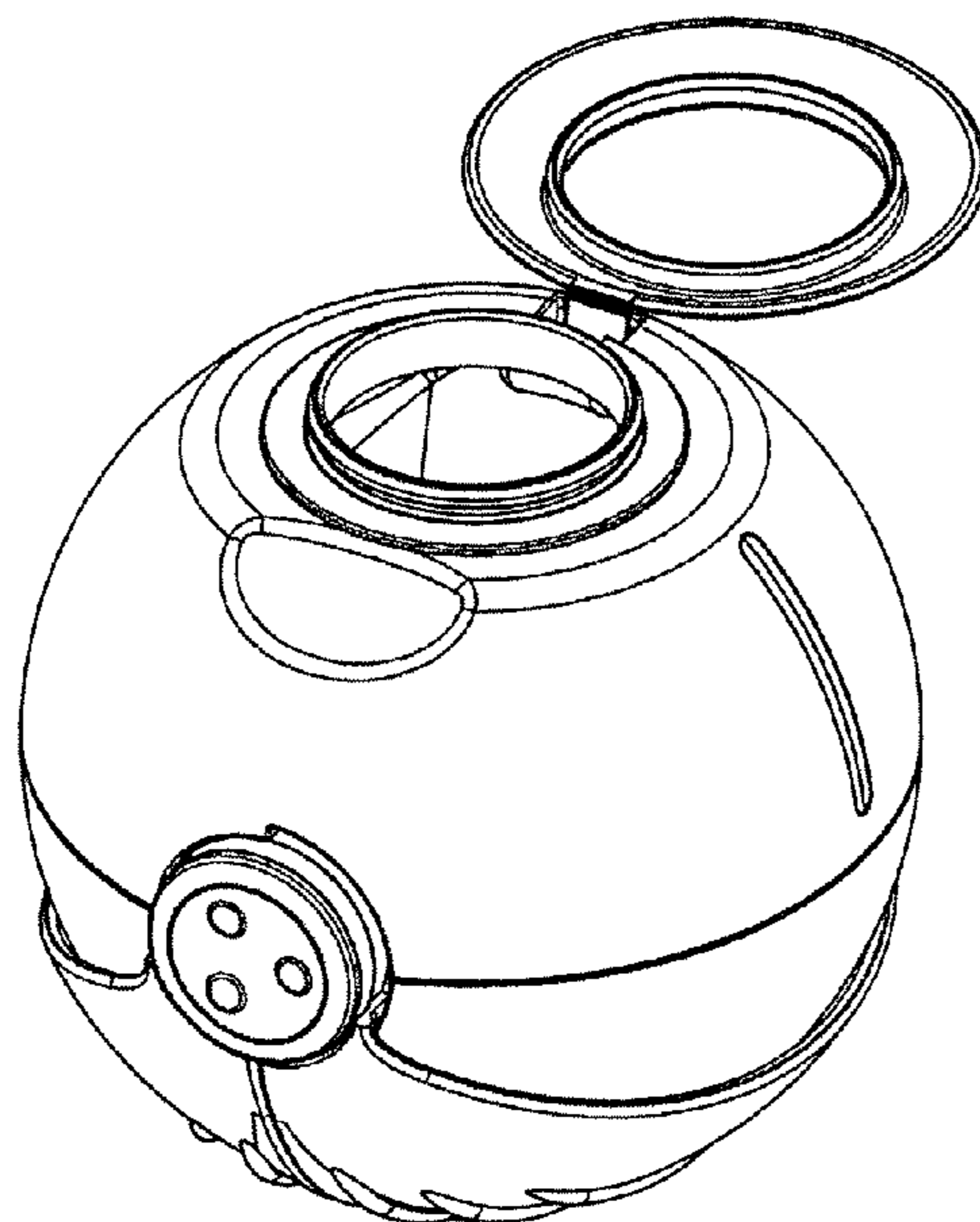
FIG. 7 is a perspective view of the lotion applicator, from the front left side, with the filling lid closed;

FIG. 8 is a perspective view of the lotion applicator, from the front left side, with the filling lid opened;

FIG. 9 is a perspective view of the lotion applicator, from the front left side, with the applicator surface covers retracted; and,

FIG. 10 is a perspective view of the lotion applicator, from the bottom left side, with the applicator surface covers retracted.

1 Claim, 4 Drawing Sheets



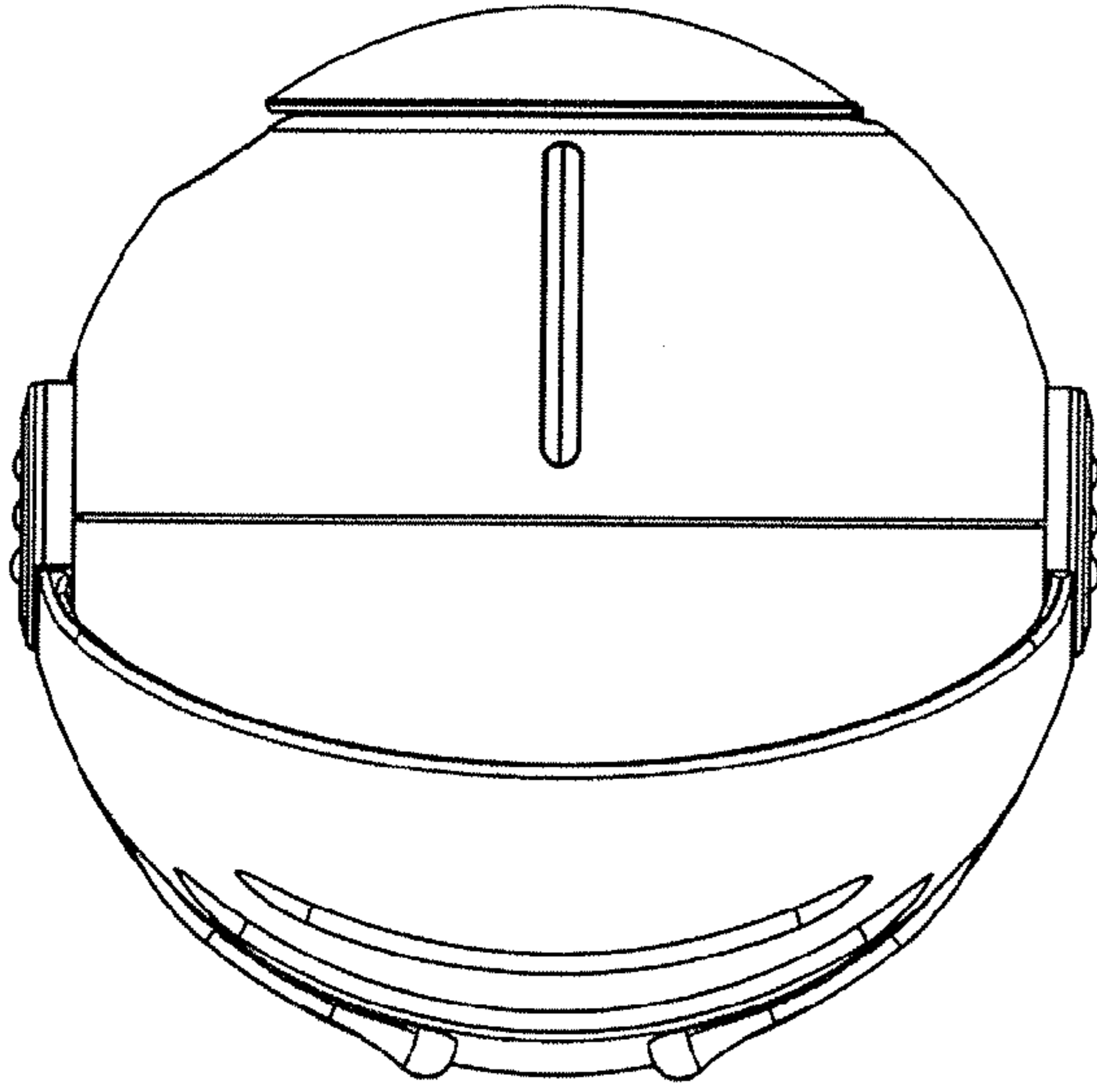


FIG. 1

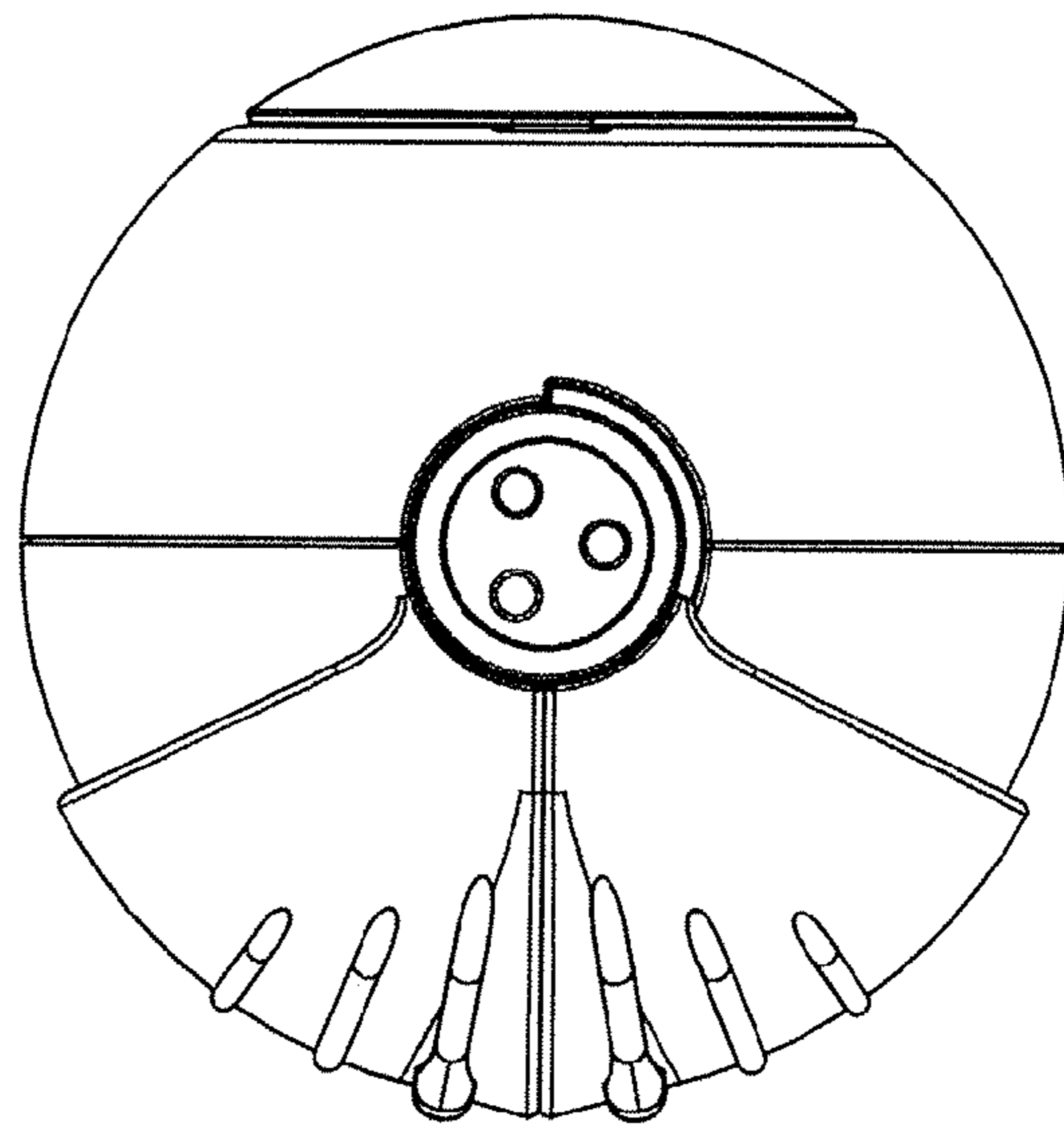


FIG. 2

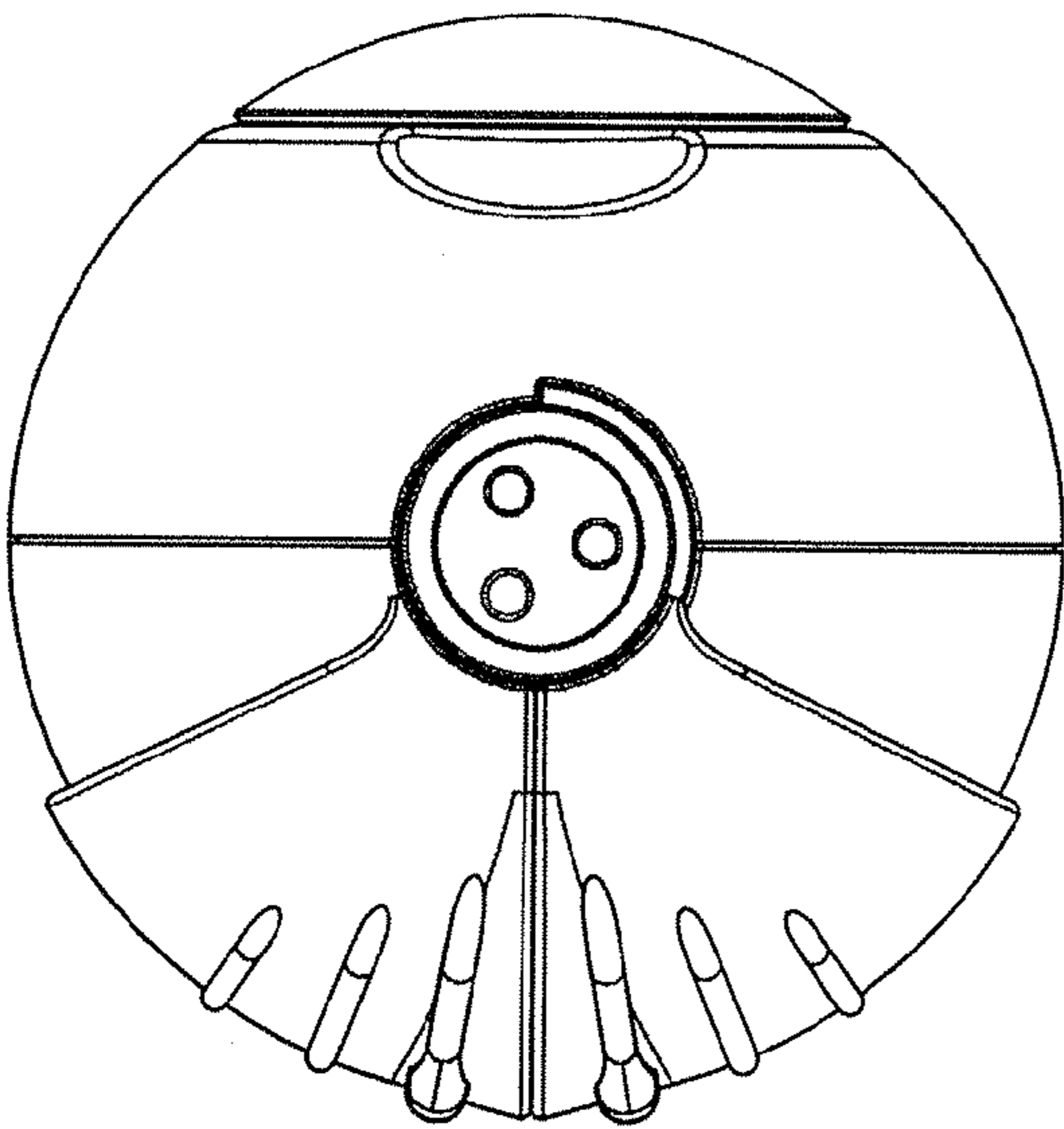


FIG. 3

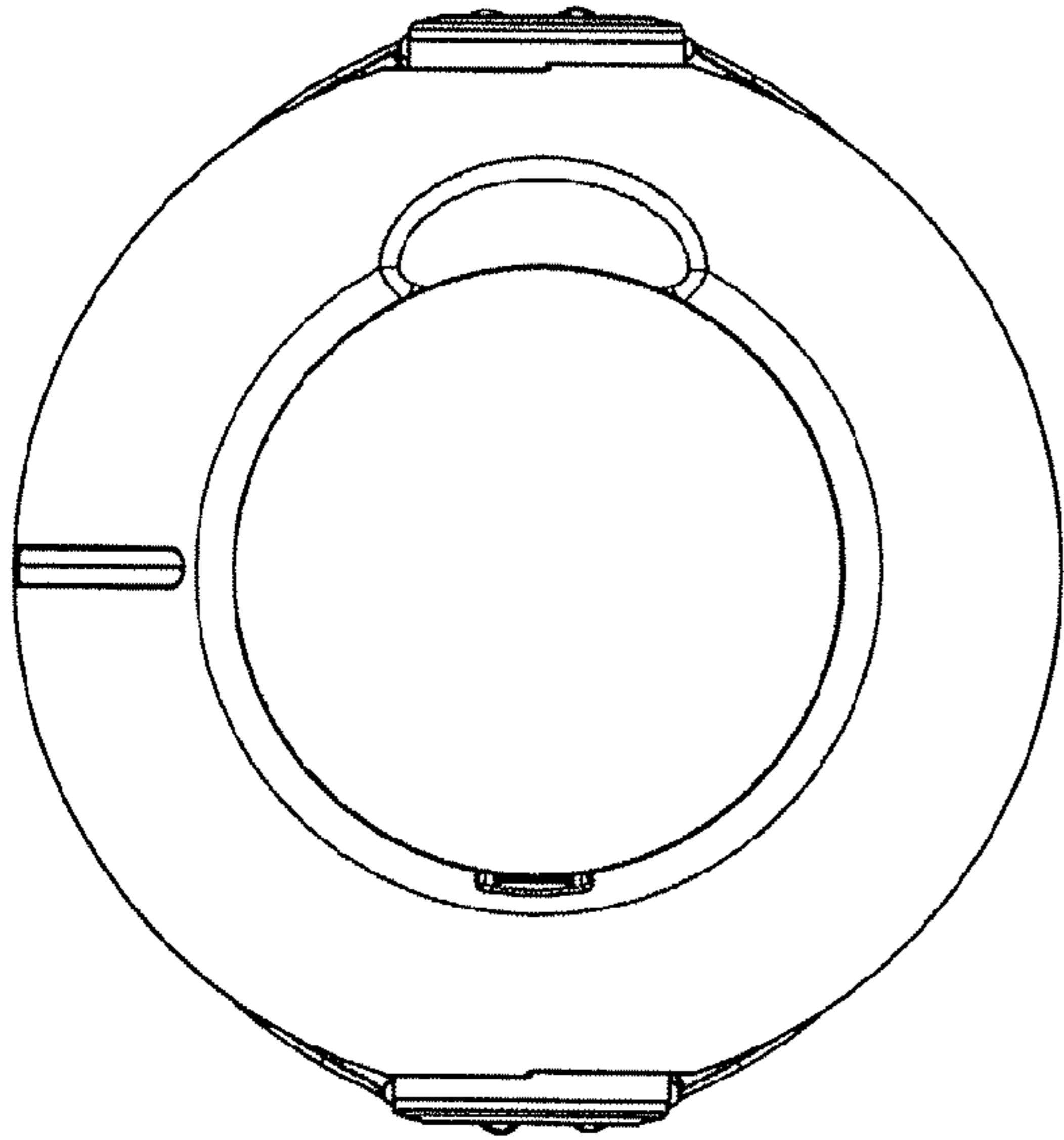


FIG. 4

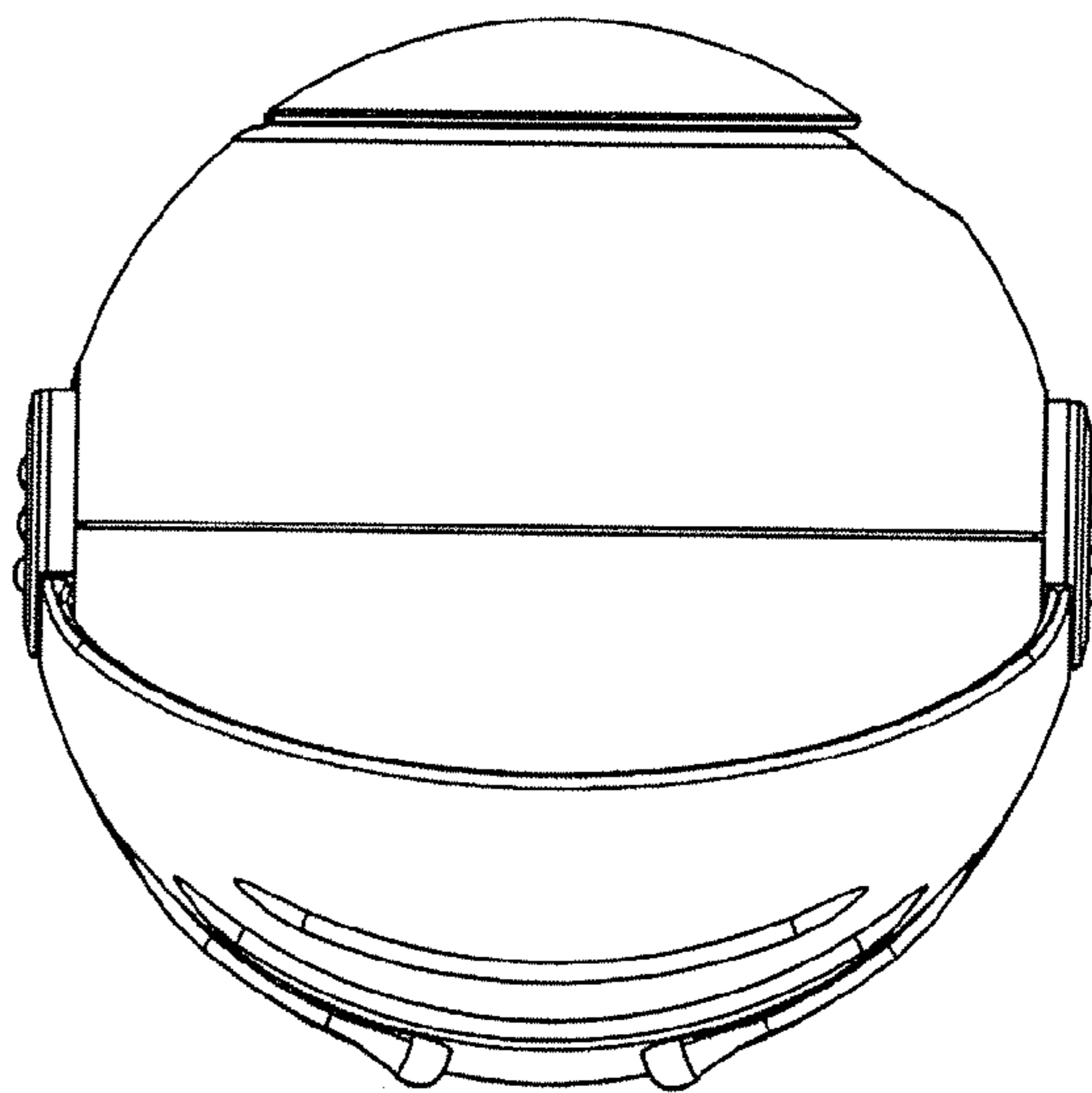


FIG. 5

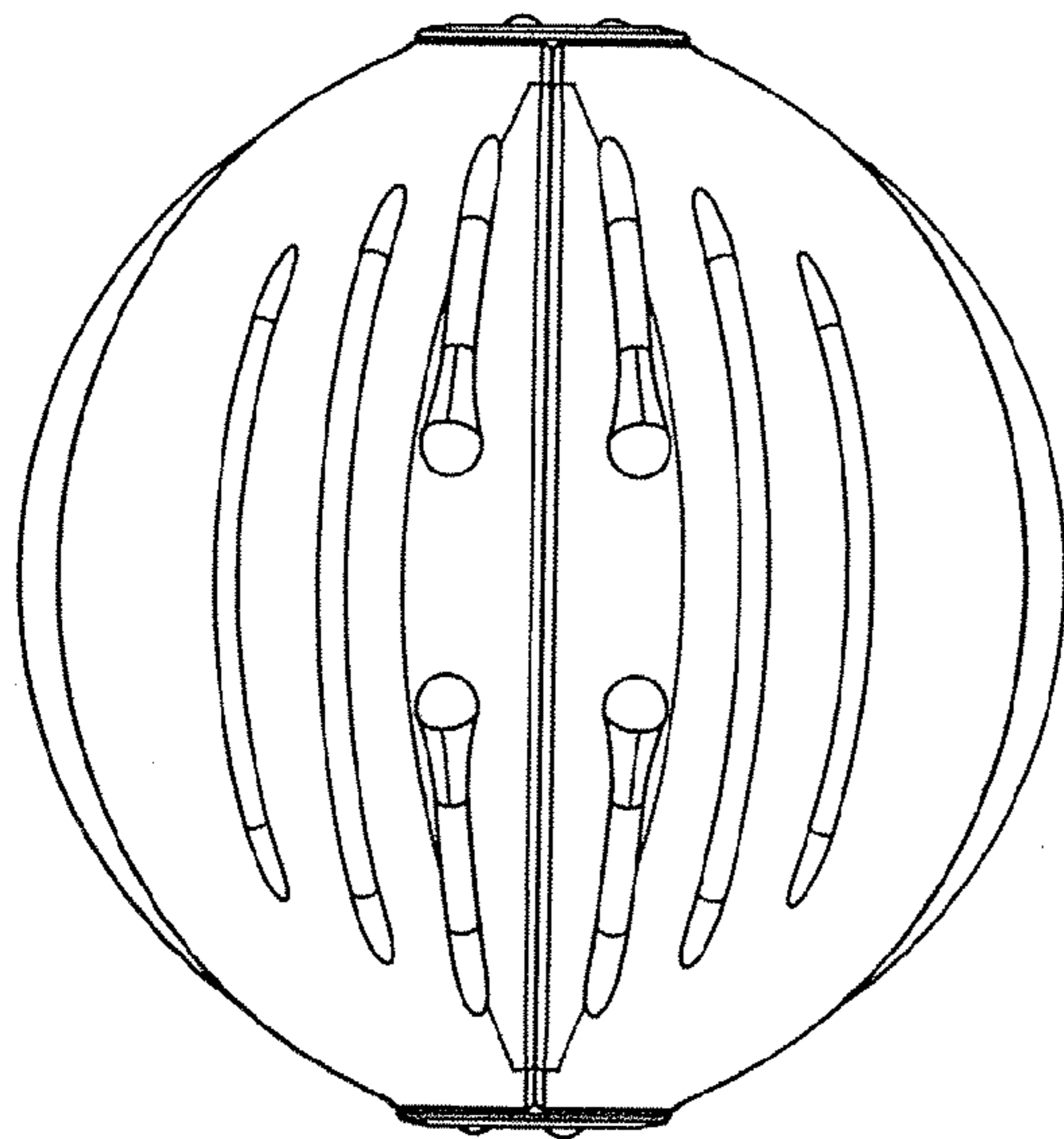


FIG. 6

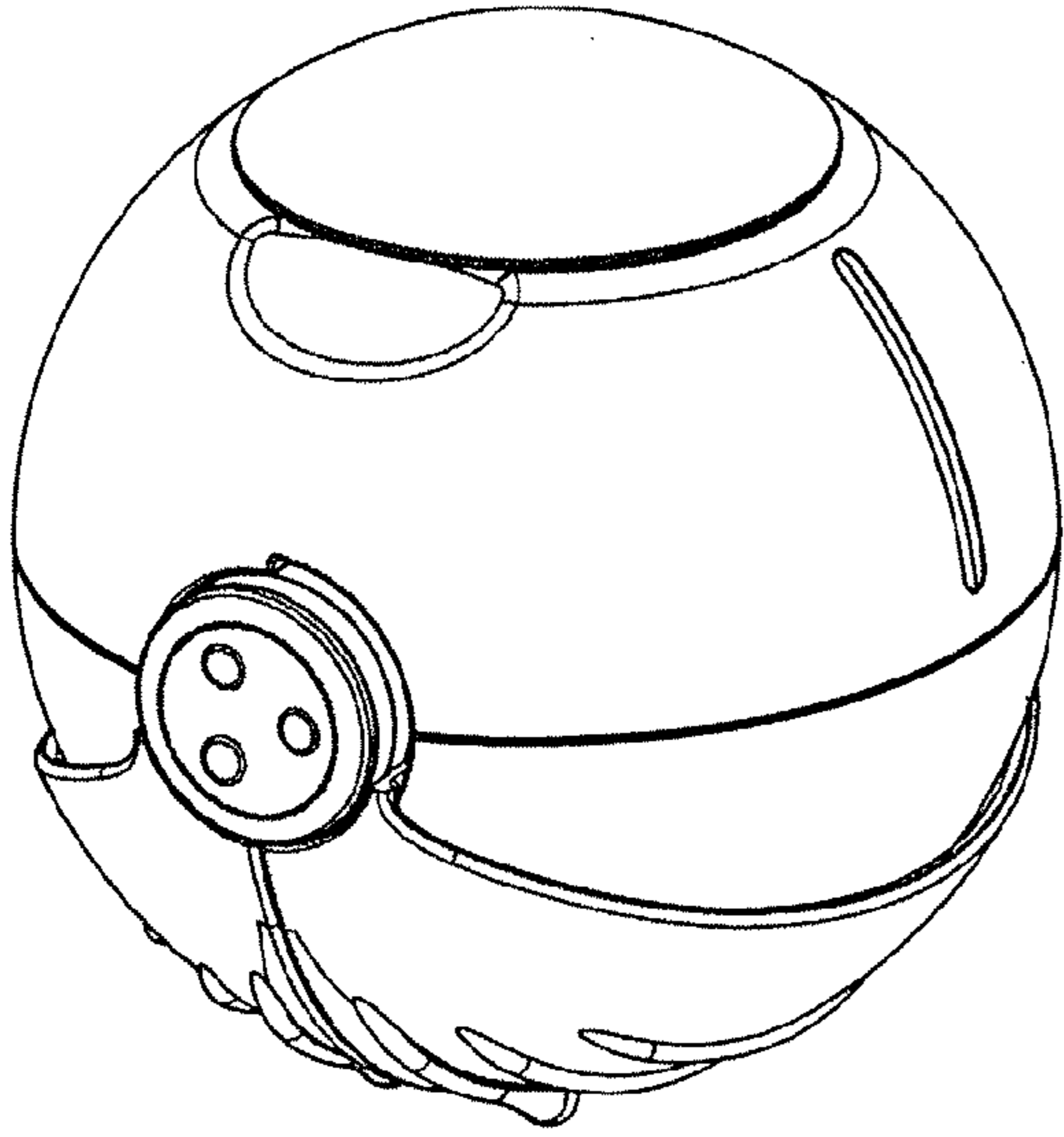


FIG. 7

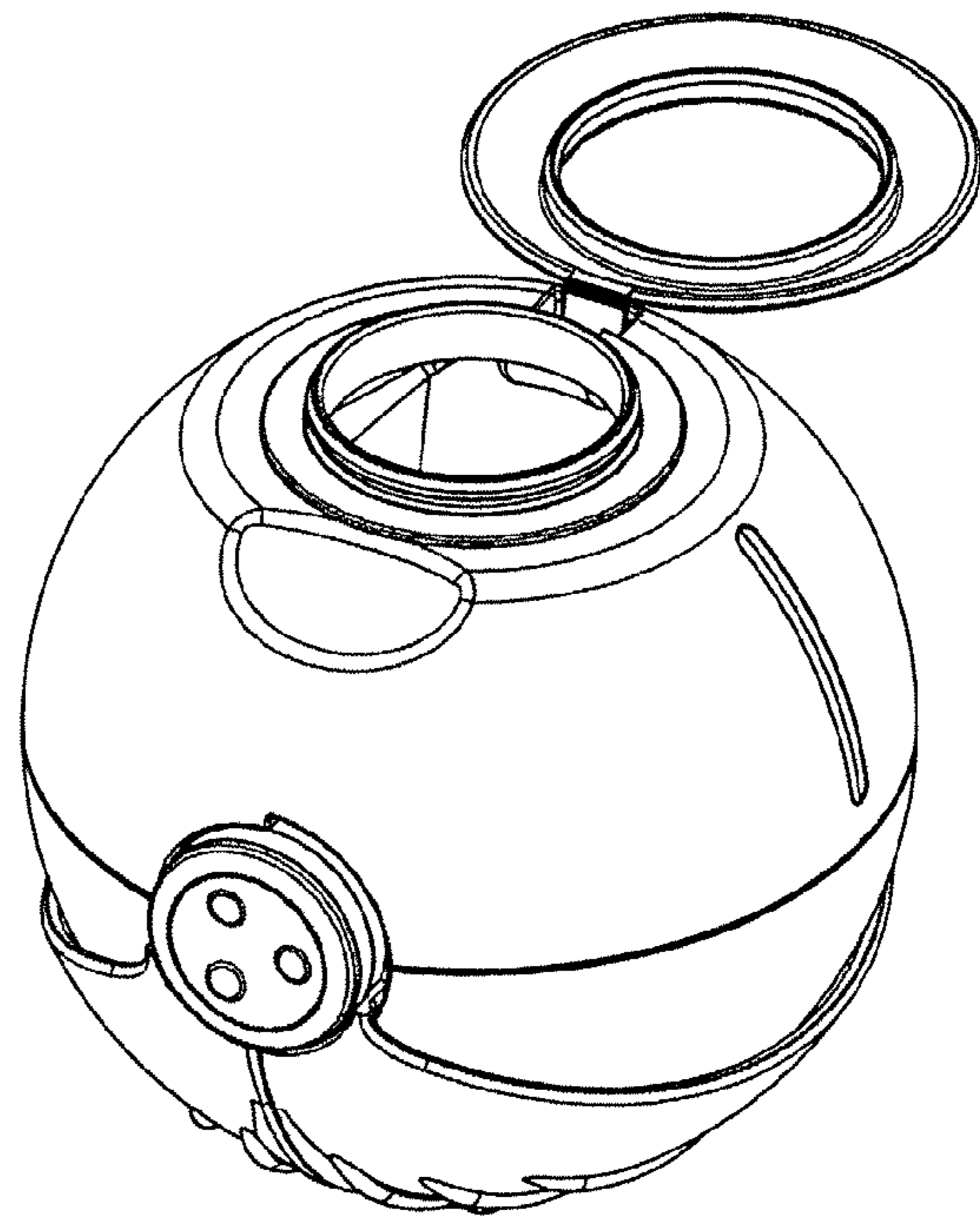


FIG. 8

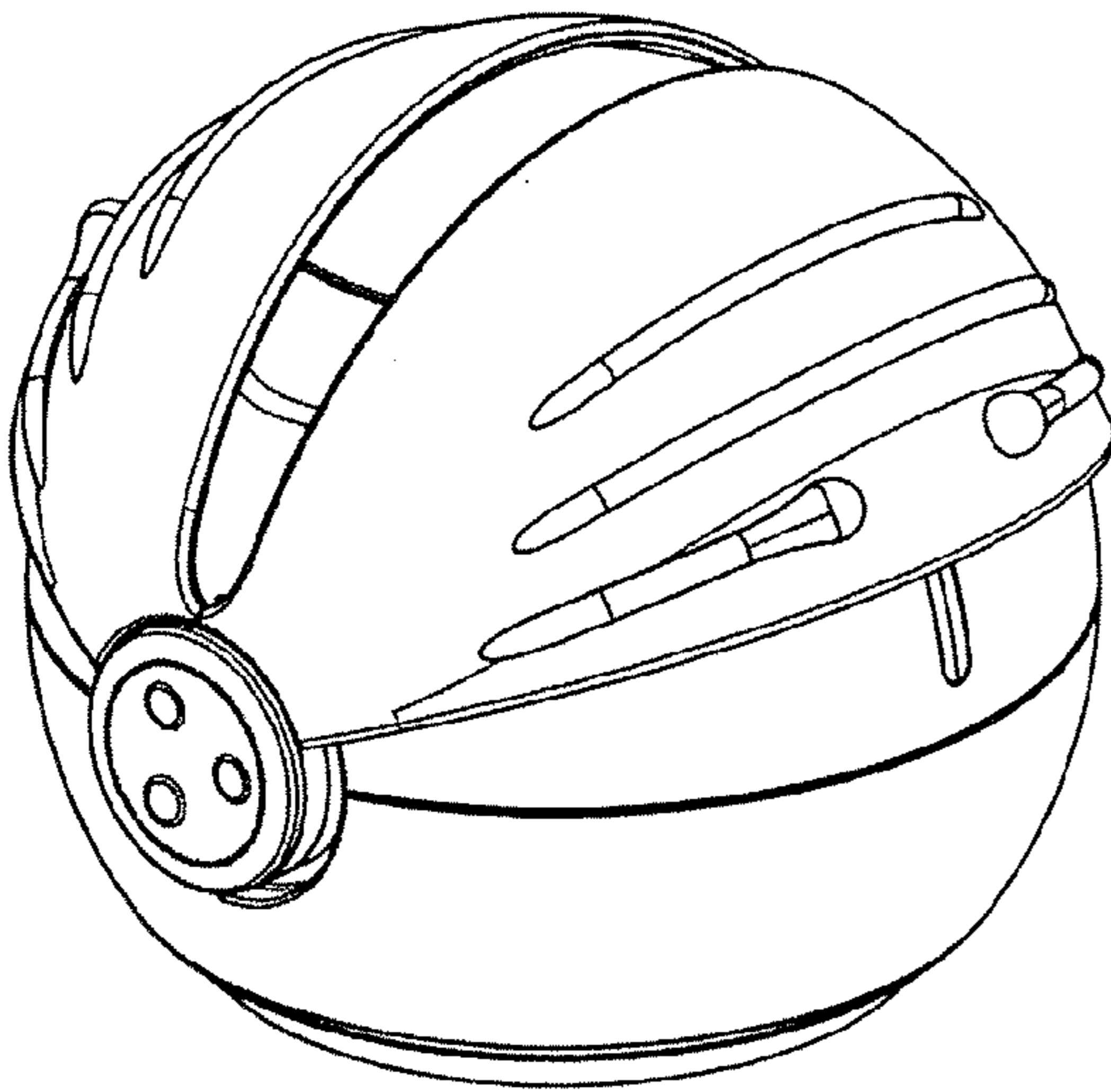


FIG. 9

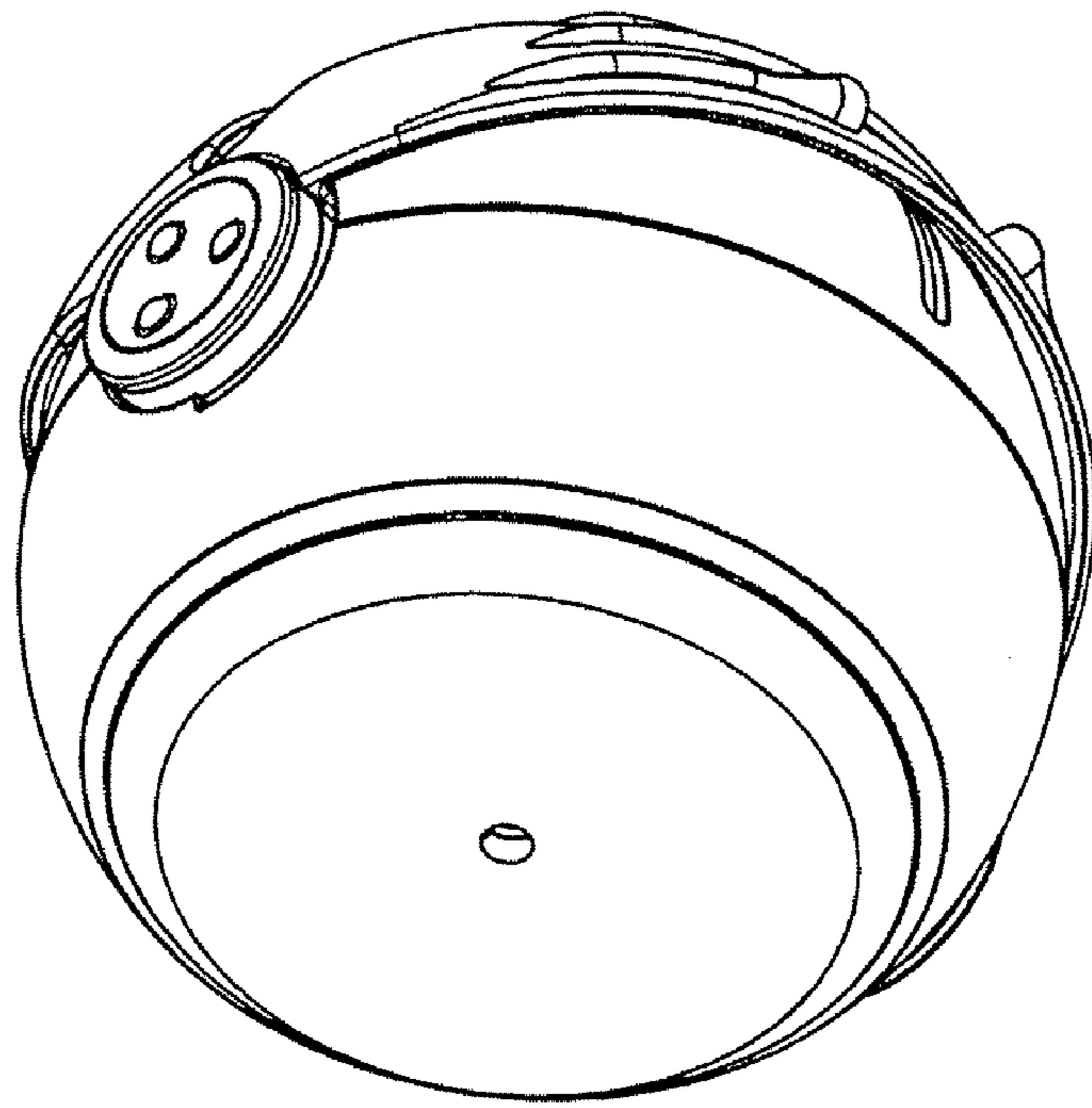


FIG. 10