

US00D554797S

(12) **United States Design Patent** (10) **Patent No.:** **US D554,797 S**
Kassir (45) **Date of Patent:** **** Nov. 6, 2007**

(54) **HOOKAH**

(75) Inventor: **Jay Kassir**, Burbank, CA (US)

(73) Assignee: **Kassir Import - Export Co., Inc.**,
Commerce, CA (US)

(**) Term: **14 Years**

(21) Appl. No.: **29/254,951**

(22) Filed: **Mar. 2, 2006**

(51) **LOC (8) Cl.** **27-02**

(52) **U.S. Cl.** **D27/162**

(58) **Field of Classification Search** D27/162;
131/173

See application file for complete search history.

(56) **References Cited**

U.S. PATENT DOCUMENTS

D256,508 S *	8/1980	Graham	D27/162
D403,106 S *	12/1998	Barnes	D27/162
2006/0086365 A1 *	4/2006	Liu	131/173
2006/0107964 A1 *	5/2006	Ohanesian	131/173
2006/0207621 A1 *	9/2006	Shraiber	131/173

OTHER PUBLICATIONS

Tobacco Hookah, P-HKA-BR 4HOSE, p. 19.*

* cited by examiner

Primary Examiner—Jennifer Rivard

(74) *Attorney, Agent, or Firm*—Sedgwick, Detert, Moran & Arnold, LLP

(57) **CLAIM**

The ornamental design for a hookah, as shown and described.

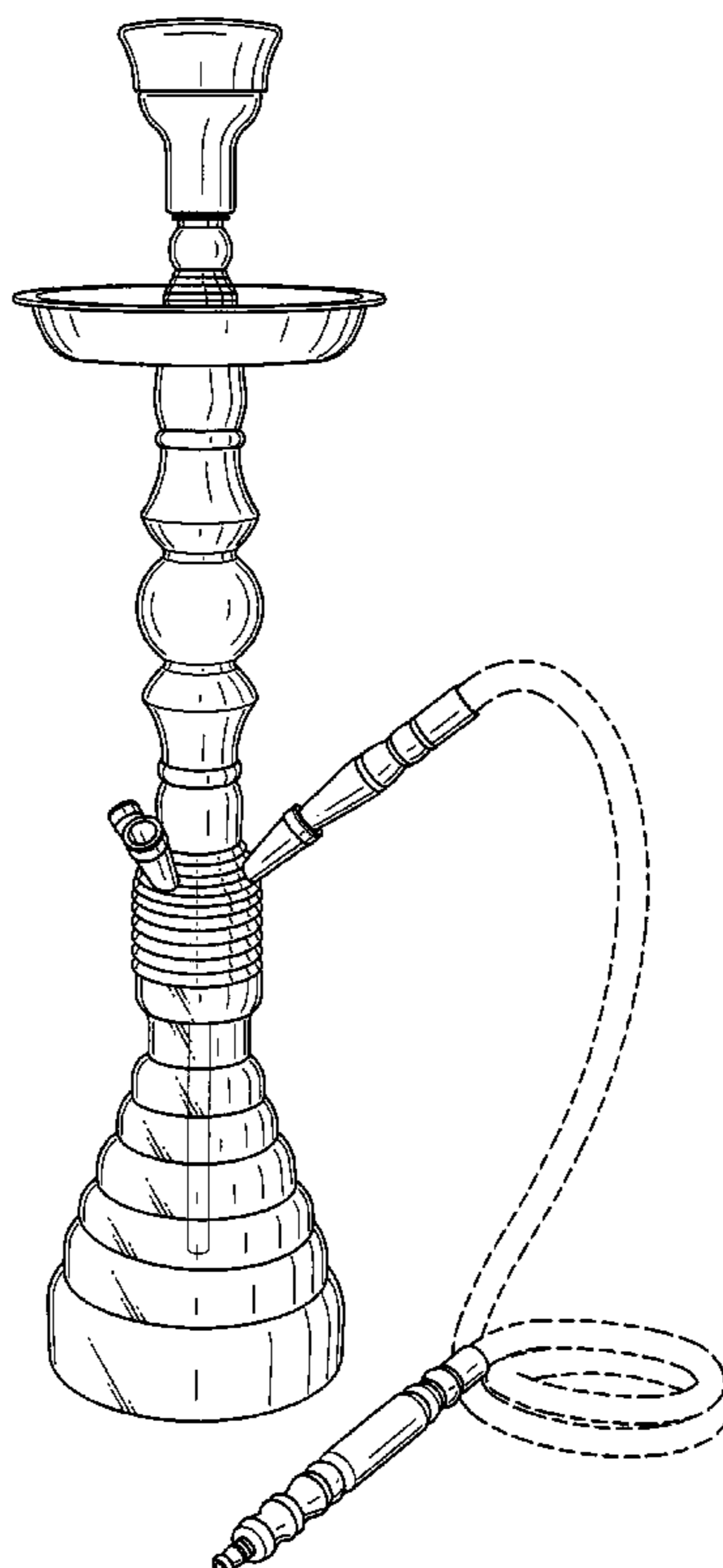
DESCRIPTION

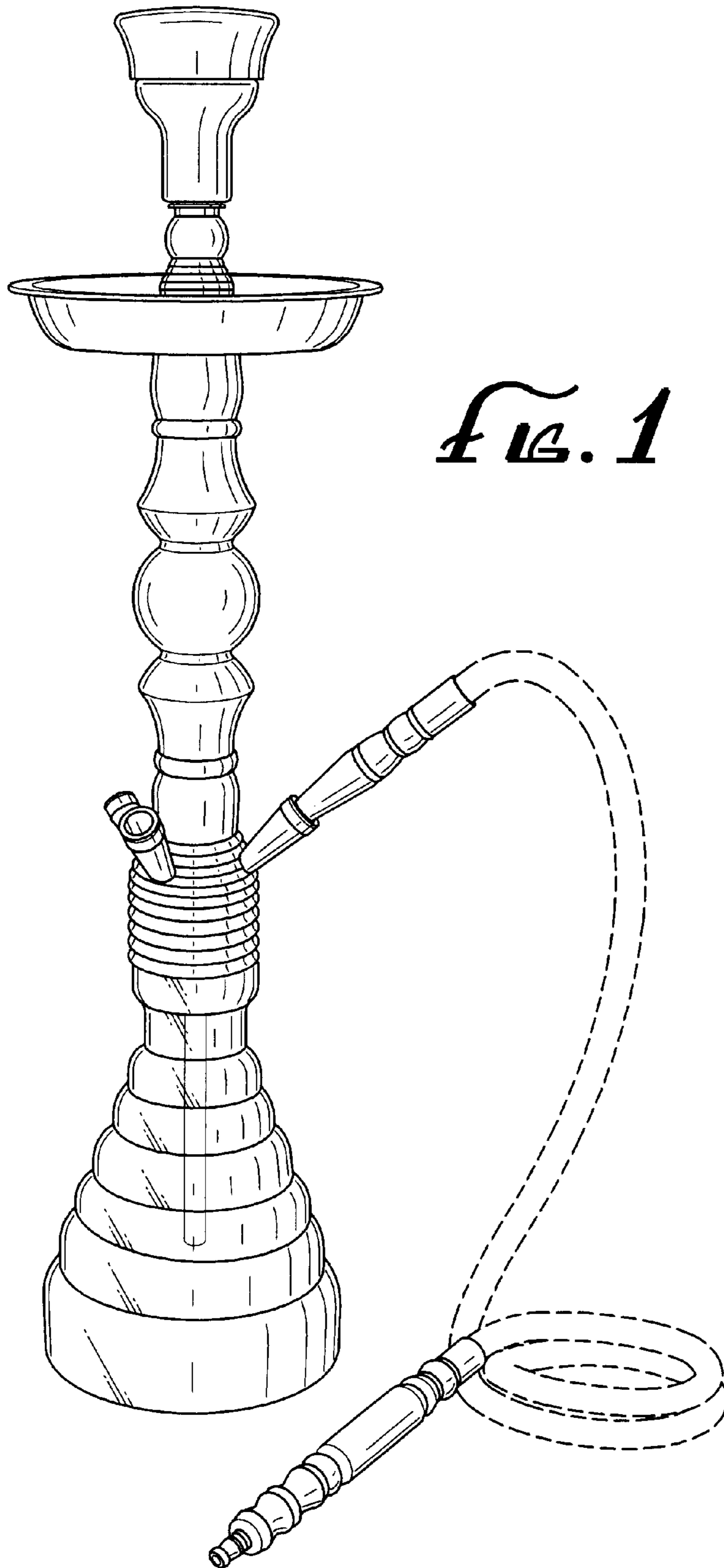
FIG. 1 is a perspective view of my design for a hookah;
 FIG. 2 is an elevation view of the side of the hookah;
 FIG. 3 is another elevation view of the side of the hookah;
 FIG. 4 is another elevation view of the side of the hookah;
 FIG. 5 is a bottom plan view of the hookah;
 FIG. 6 is a top plan view of the hookah;
 FIG. 7 is a perspective view of the mouthpiece to the hookah;
 FIG. 8 is an elevation view of the side of the mouthpiece to the hookah;
 FIG. 9 is a top plan view looking into the mouthpiece to the hookah;
 FIG. 10 is a perspective view of the connector which connects the mouthpiece to the hookah;
 FIG. 11 is an elevation view of the side of said connector; and,
 FIG. 12 is a top plan view looking into said connector.

The broken lines are shown for illustrative purposes only and form no part of the claimed design.

The hookah, mouthpiece, and connector are disclosed separately for convenience of illustration.

1 Claim, 5 Drawing Sheets





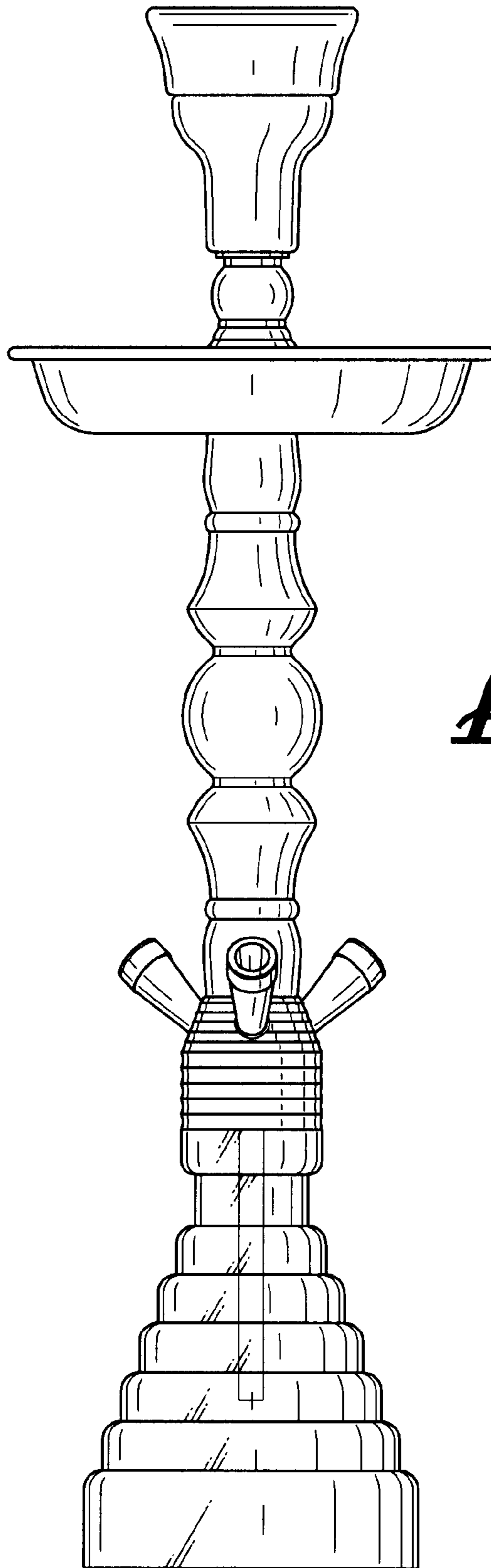


FIG. 2

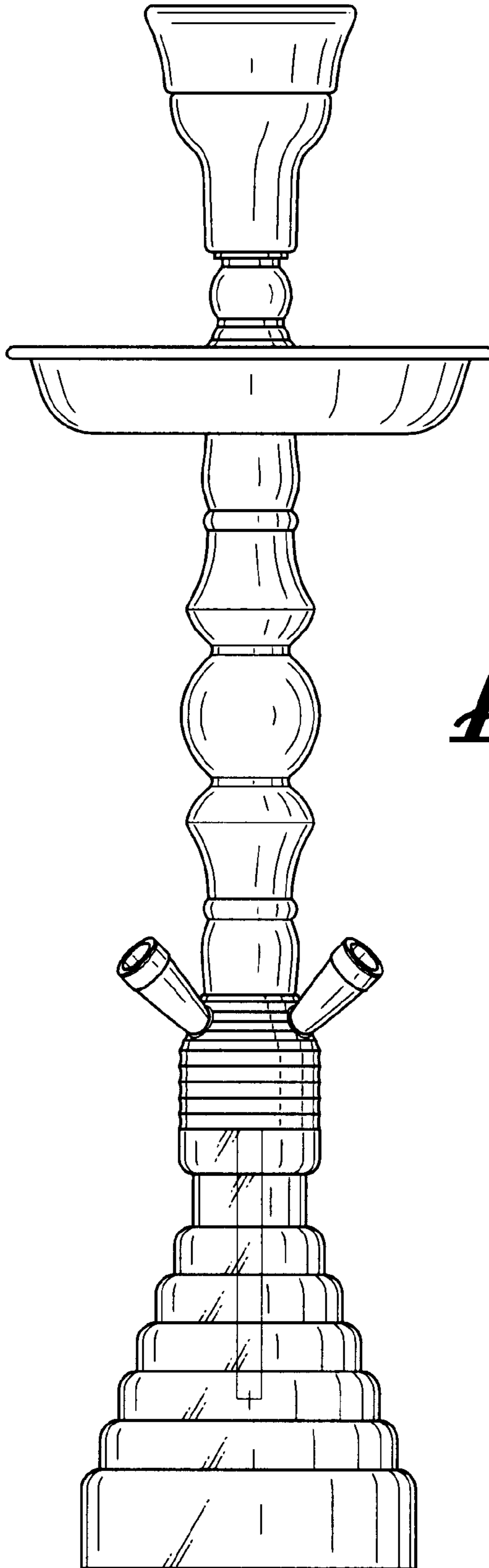


FIG. 3

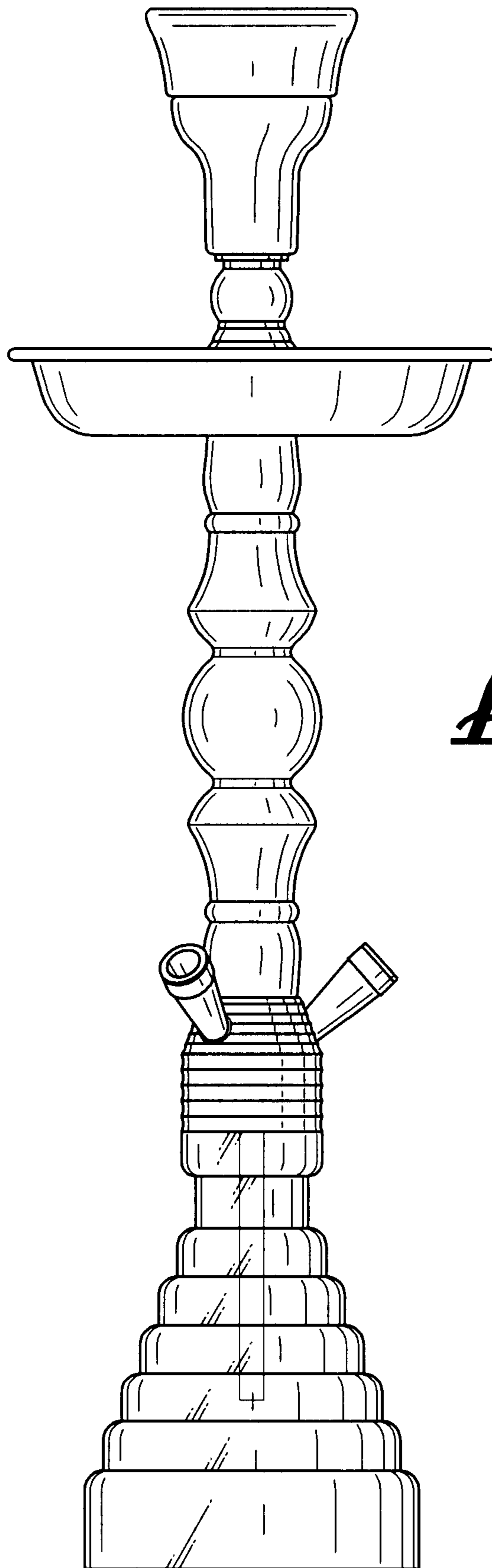


FIG. 4

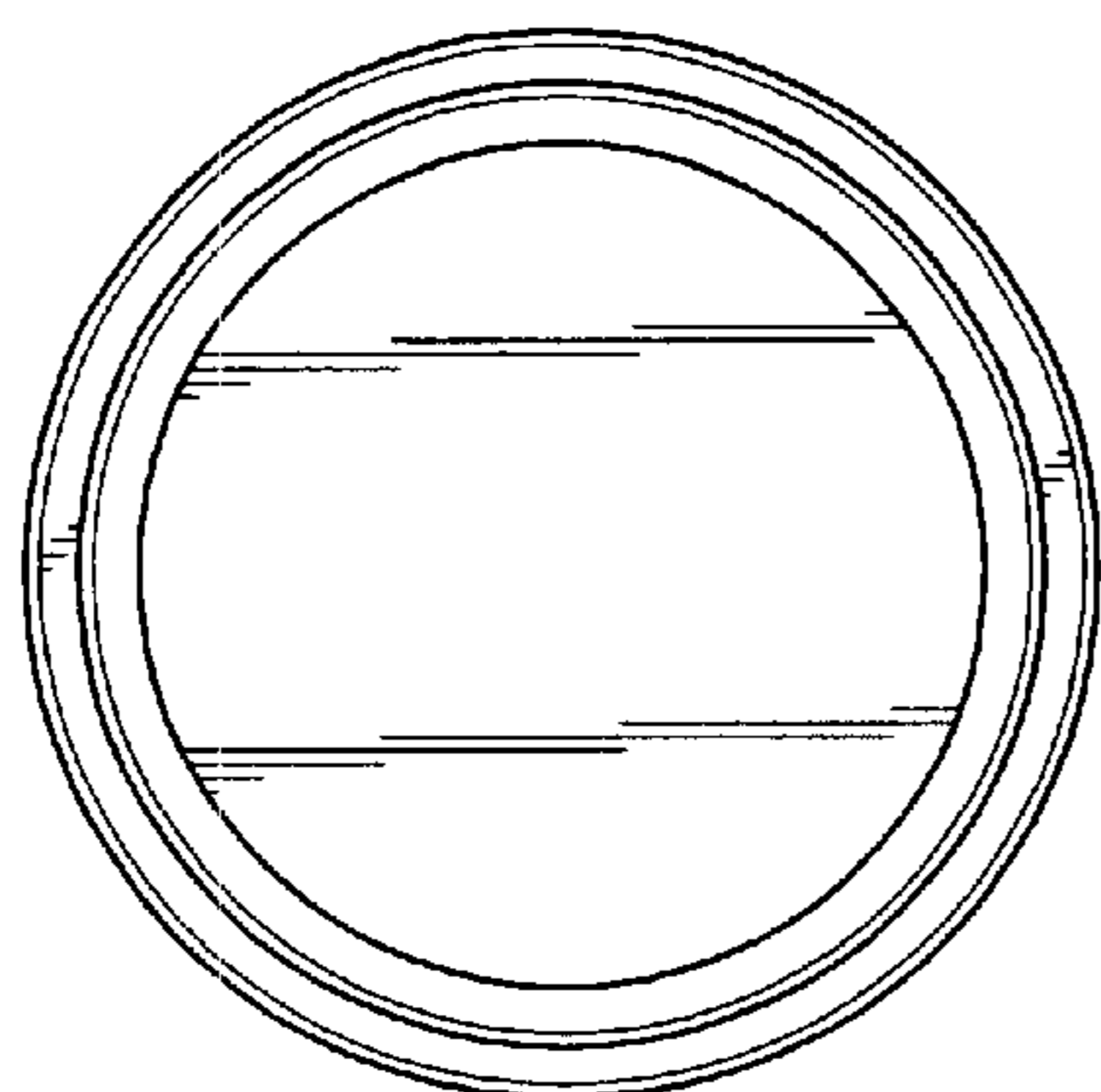


FIG. 5

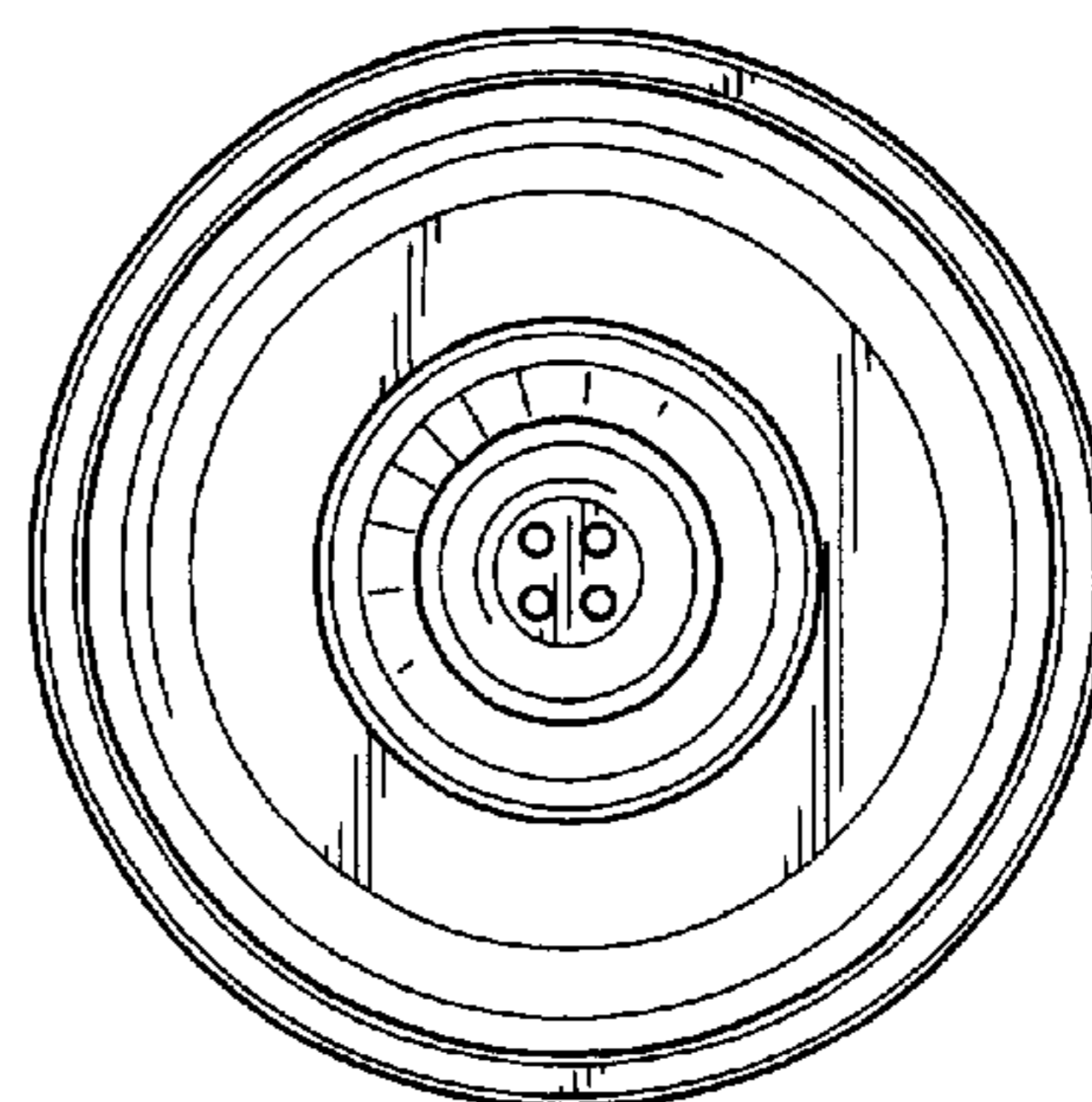


FIG. 6

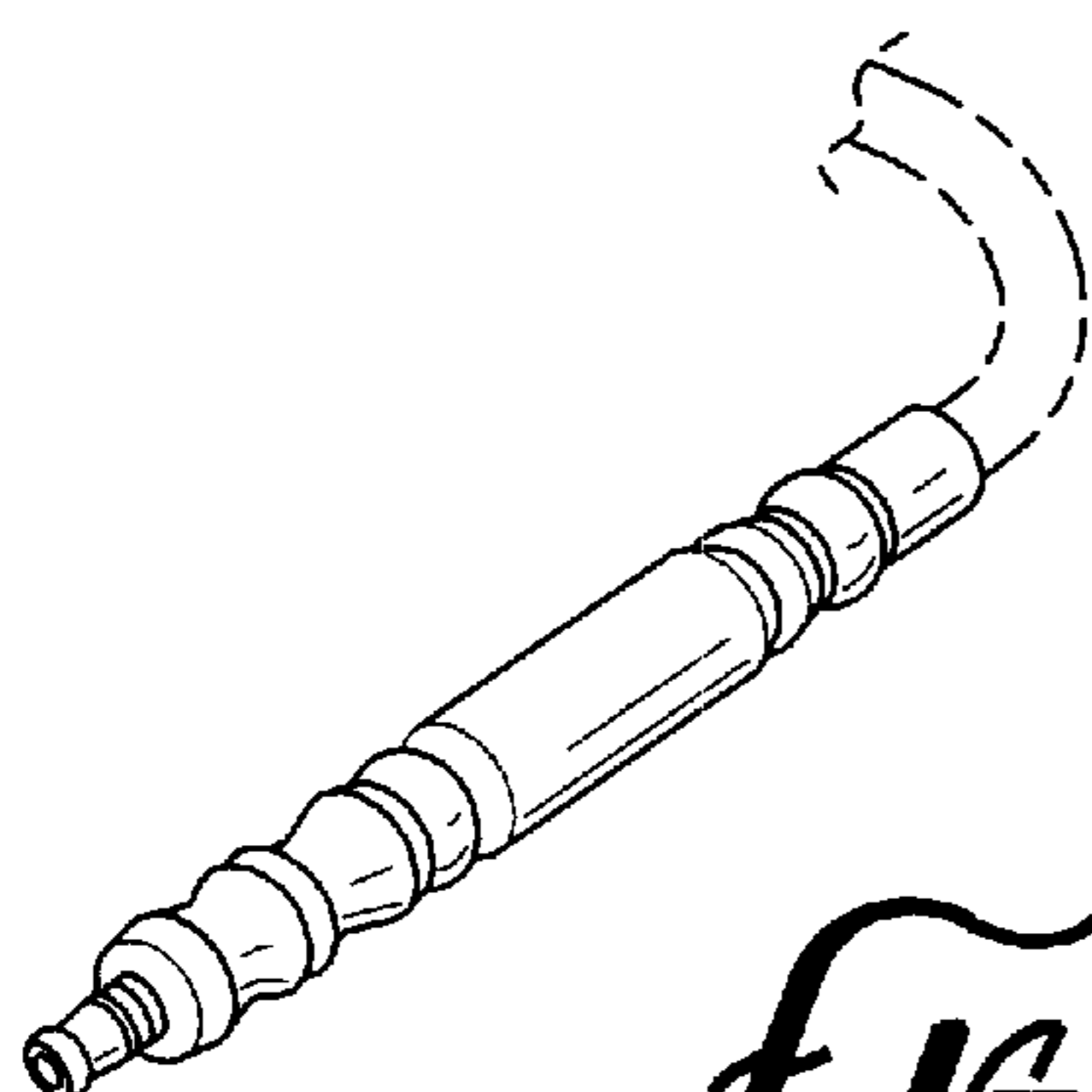


FIG. 7



FIG. 8



FIG. 9

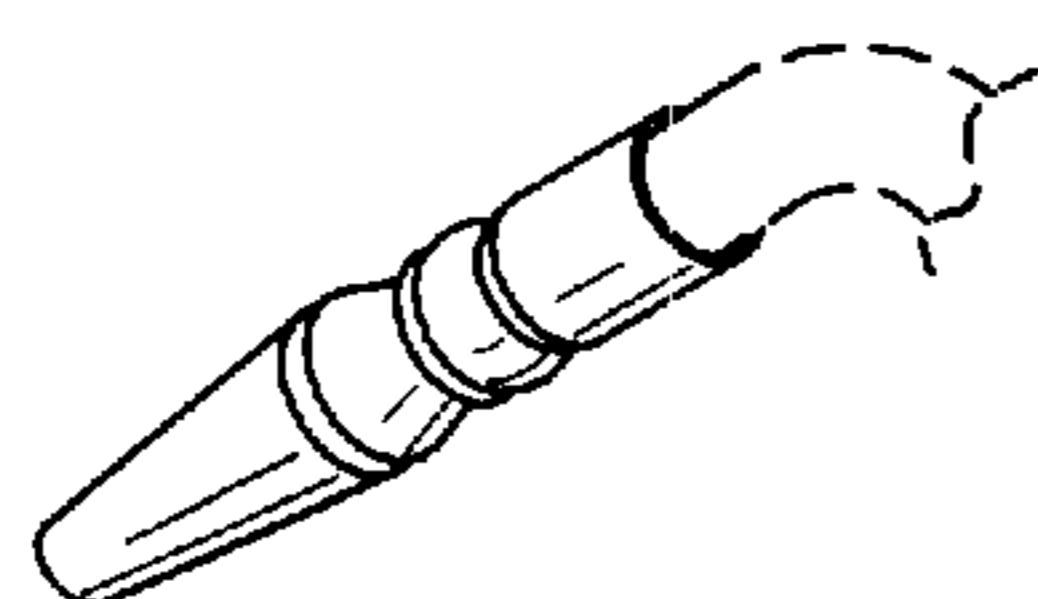


FIG. 10



FIG. 11



FIG. 12