



US00D554794S

(12) **United States Design Patent**
Tseng

(10) **Patent No.:** **US D554,794 S**

(45) **Date of Patent:** **** Nov. 6, 2007**

(54) **PENDANT**

(75) Inventor: **Heng-Lun Tseng**, Taipei (TW)

(73) Assignee: **L&C Lighting Technology Corp.**,
Neihu District, Taipei (TW)

(**) Term: **14 Years**

(21) Appl. No.: **29/253,252**

(22) Filed: **Feb. 3, 2006**

(51) **LOC (8) Cl.** **26-03**

(52) **U.S. Cl.** **D26/78; D26/75**

(58) **Field of Classification Search** **D26/72,**
D26/74-79; 362/217-225

See application file for complete search history.

(56) **References Cited**

U.S. PATENT DOCUMENTS

D133,986 S *	10/1942	Gordon	D26/76
D274,657 S *	7/1984	Herst et al.	D26/76
6,149,285 A *	11/2000	Cicarelli	362/255
D459,014 S *	6/2002	Chen	D26/85
D463,058 S *	9/2002	Nourishad	D26/76
D472,668 S *	4/2003	Herst et al.	D26/118
D500,883 S *	1/2005	Herst et al.	D26/118

D509,616 S *	9/2005	Hetfield	D26/76
D513,439 S *	1/2006	Hetfield	D26/76
2006/0098444 A1 *	5/2006	Petruzzi	362/404
2006/0126325 A1 *	6/2006	Lefebvre et al.	362/217

* cited by examiner

Primary Examiner—Louis S. Zarfes

Assistant Examiner—Susan E Krakower

(74) *Attorney, Agent, or Firm*—Bacon & Thomas PLLC

(57) **CLAIM**

The ornamental design for a pendant, as shown and described.

DESCRIPTION

FIG. 1 is a top front perspective view of a pendant showing my new design;

FIG. 2 is a front elevational view thereof;

FIG. 3 is a rear elevational view thereof;

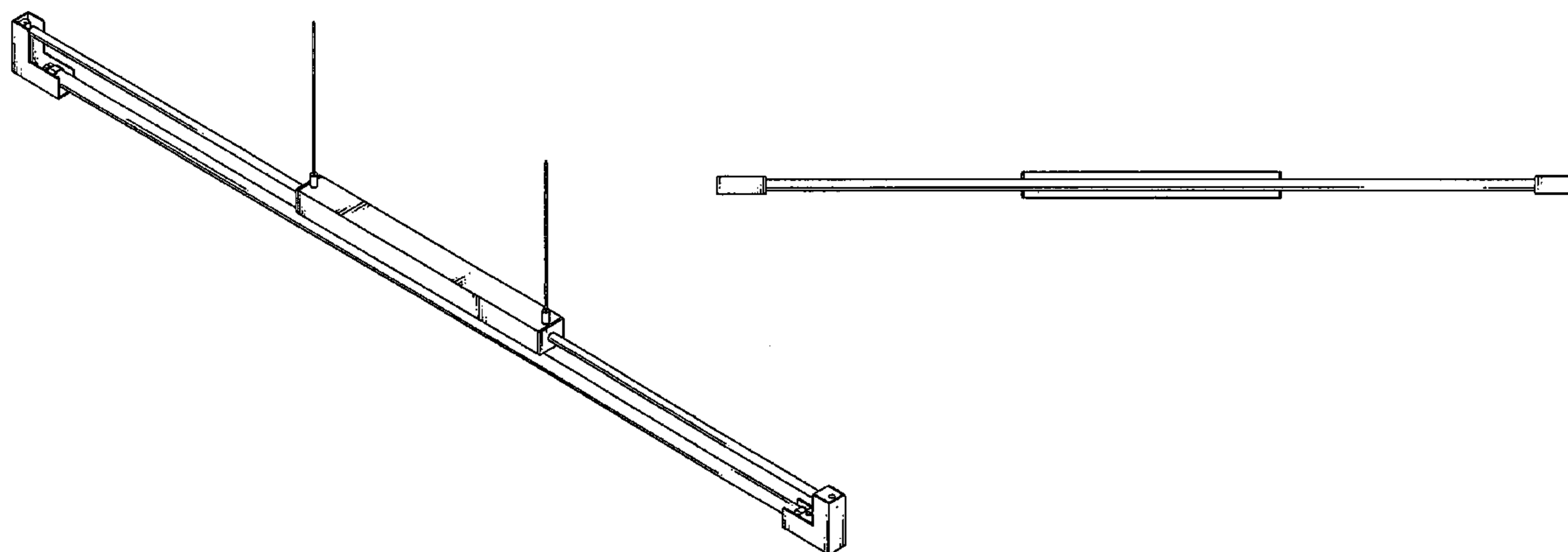
FIG. 4 is a left side elevational view thereof;

FIG. 5 is a right side elevational view thereof;

FIG. 6 is a top plan view thereof; and,

FIG. 7 is a bottom plan view thereof.

1 Claim, 4 Drawing Sheets



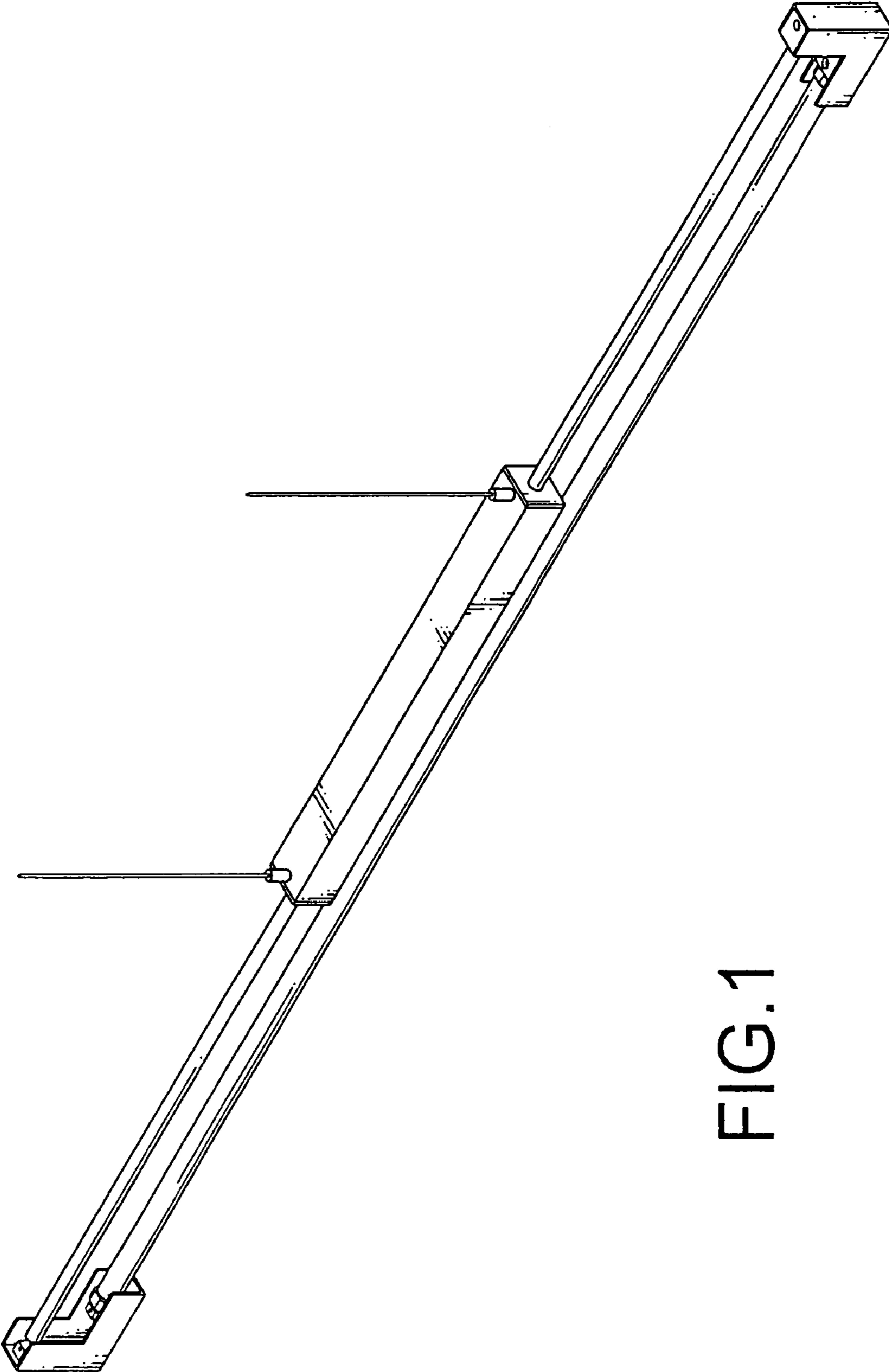


FIG.1

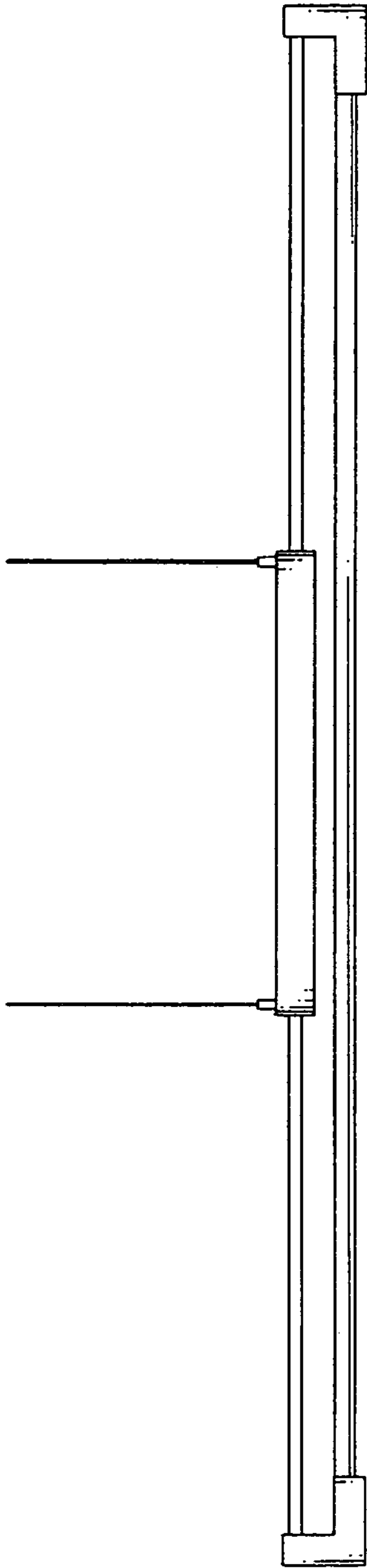


FIG. 2

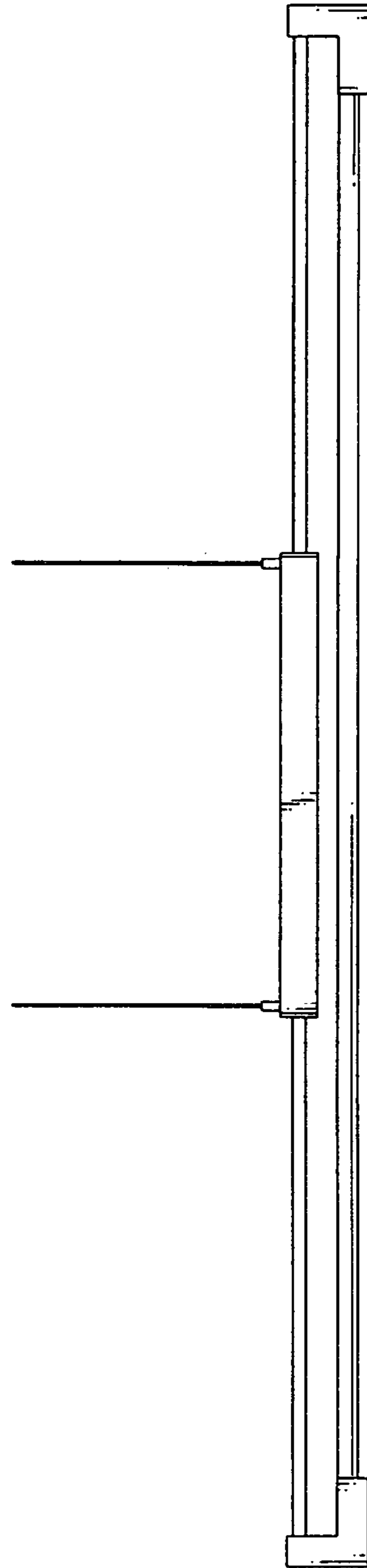


FIG. 3



FIG. 4



FIG. 5



FIG. 6



FIG. 7