



US00D554793S

(12) **United States Design Patent**  
**Bobel**

(10) **Patent No.:** **US D554,793 S**

(45) **Date of Patent:** **\*\* Nov. 6, 2007**

(54) **FLUORESCENT LIGHT FIXTURE WITH  
ADJUSTABLE MOUNTING SYSTEM**

(76) Inventor: **Andrzej Bobel**, 640 Leland Ct., Lake Forest, IL (US) 60045

(\*\*) Term: **14 Years**

(21) Appl. No.: **29/243,123**

(22) Filed: **Nov. 18, 2005**

(51) **LOC (8) Cl.** ..... **26-03**

(52) **U.S. Cl.** ..... **D26/76; D26/75**

(58) **Field of Classification Search** ..... D26/72,  
D26/74-79; 362/217-225, 283, 147, 363  
See application file for complete search history.

(56) **References Cited**

**U.S. PATENT DOCUMENTS**

2,348,930	A *	5/1944	Schepmoes	.....	362/224
D140,504	S *	3/1945	Gleason	.....	D26/76
D274,657	S *	7/1984	Herst et al.	.....	D26/76
5,803,588	A *	9/1998	Costa	.....	362/223
D444,587	S *	7/2001	Hastings et al.	.....	D26/76
D449,401	S *	10/2001	Tillman et al.	.....	D26/76
D451,228	S *	11/2001	Poon	.....	D26/76
2006/0098444	A1 *	5/2006	Petruzzi	.....	362/404

\* cited by examiner

*Primary Examiner*—Louis S. Zarfes

*Assistant Examiner*—Susan E Krakower

(57) **CLAIM**

The ornamental design for a fluorescent light fixture with adjustable mounting system, as shown and described.

**DESCRIPTION**

FIG. 1 is a side elevational view of the fluorescent light fixture with adjustable mounting system showing the new design;

FIG. 2 is a top perspective view, thereof;

FIG. 3 is an enlarged side elevational view without ceiling mounts, thereof;

FIG. 4 is an enlarged side elevational view with the end cap removed and without ceiling mounts, thereof;

FIG. 5 is a bottom plan view, thereof;

FIG. 6 is a bottom plan view with the lens removed, thereof;

FIG. 7 is a top plan view, thereof;

FIG. 8 is a bottom plan view with lens and inner reflector pan removed, thereof;

FIG. 9 is a side elevational view in an adjusted mounting position, thereof;

FIG. 10 is a bottom perspective view, thereof;

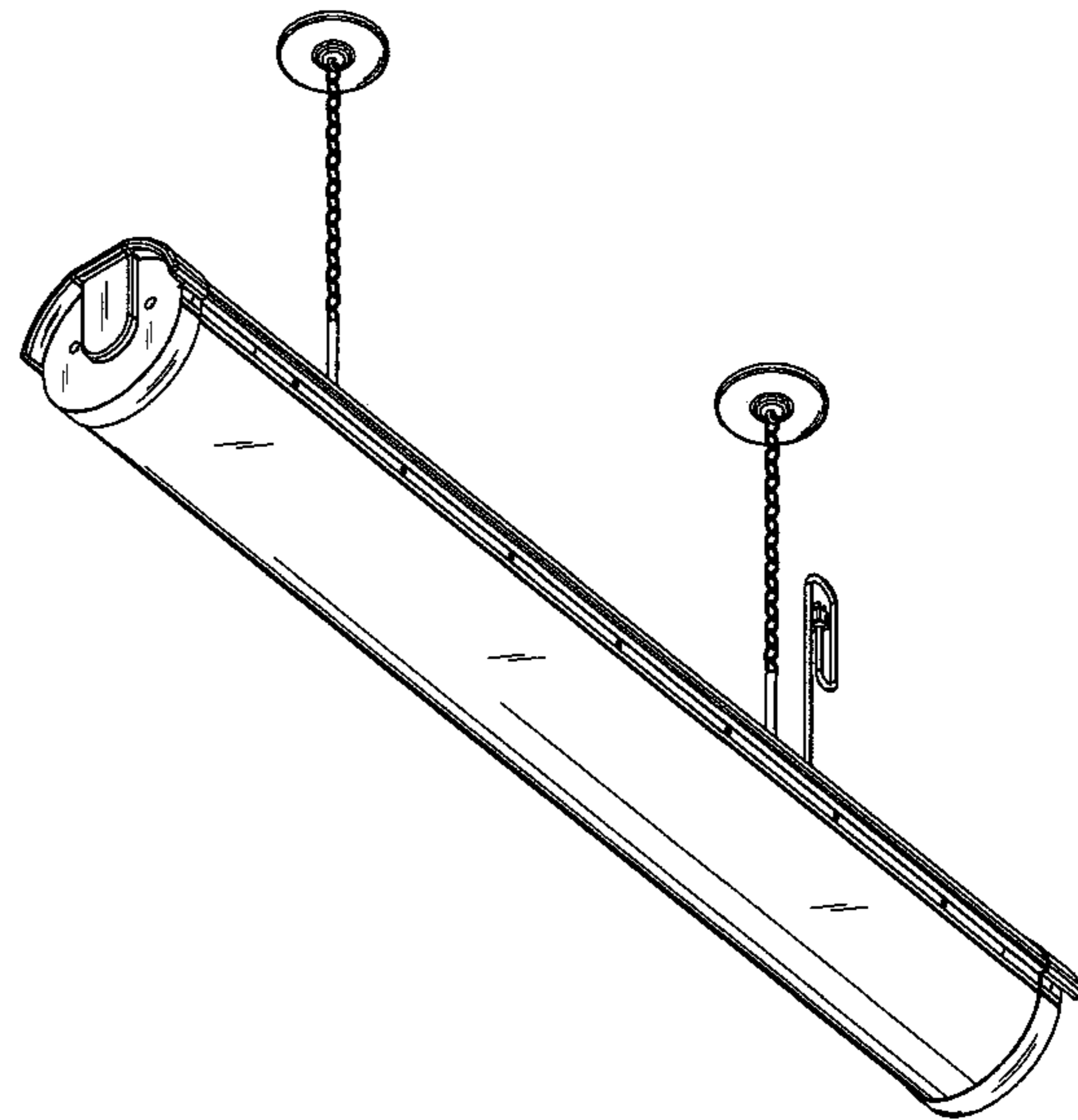
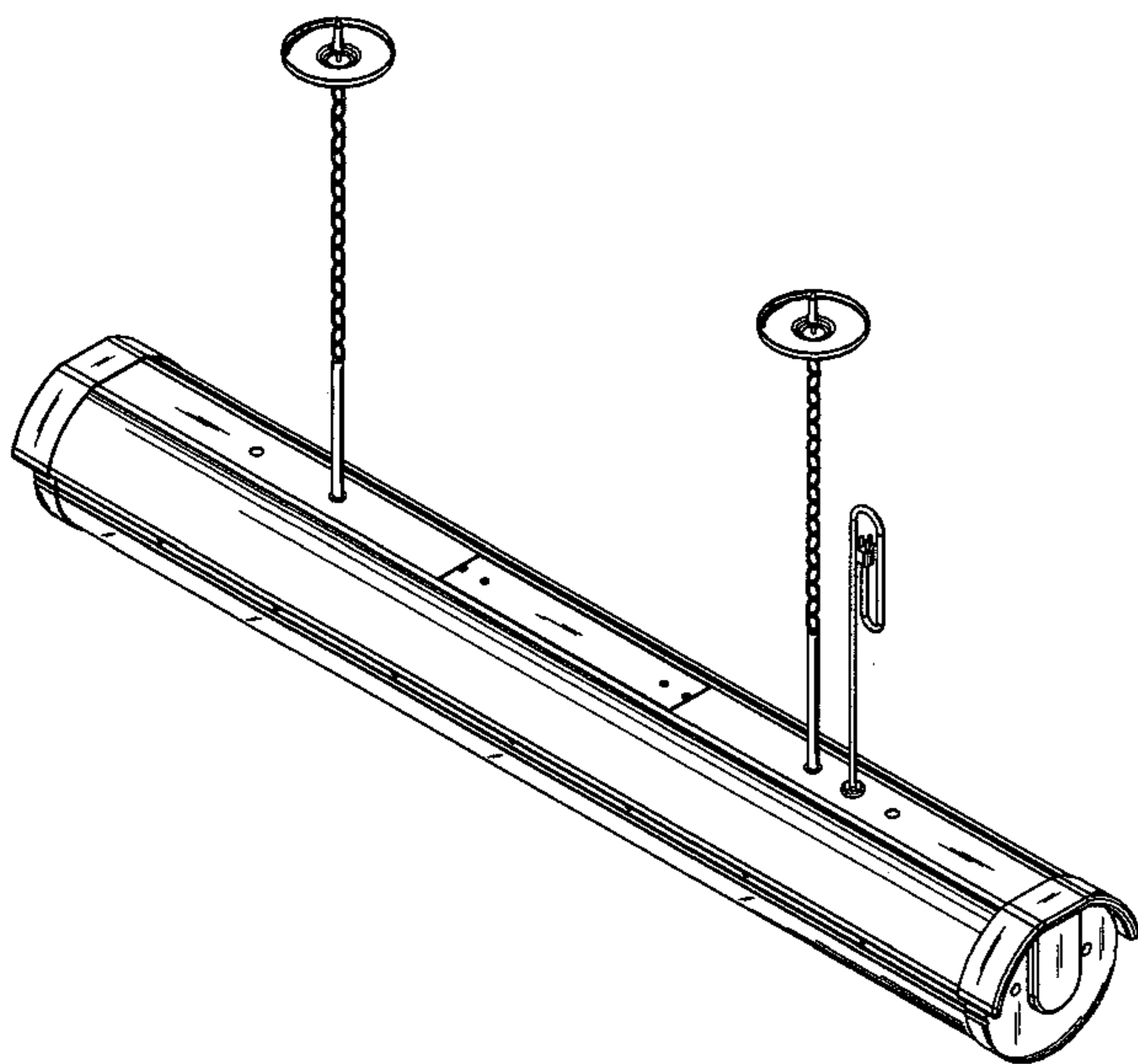
FIG. 11 is a bottom perspective view with the lens removed, thereof;

FIG. 12 is an exploded assembly view, thereof;

FIG. 13 is a side perspective view, thereof; and,

FIG. 14 is a top perspective view in an adjusted mounting position, thereof.

**1 Claim, 12 Drawing Sheets**



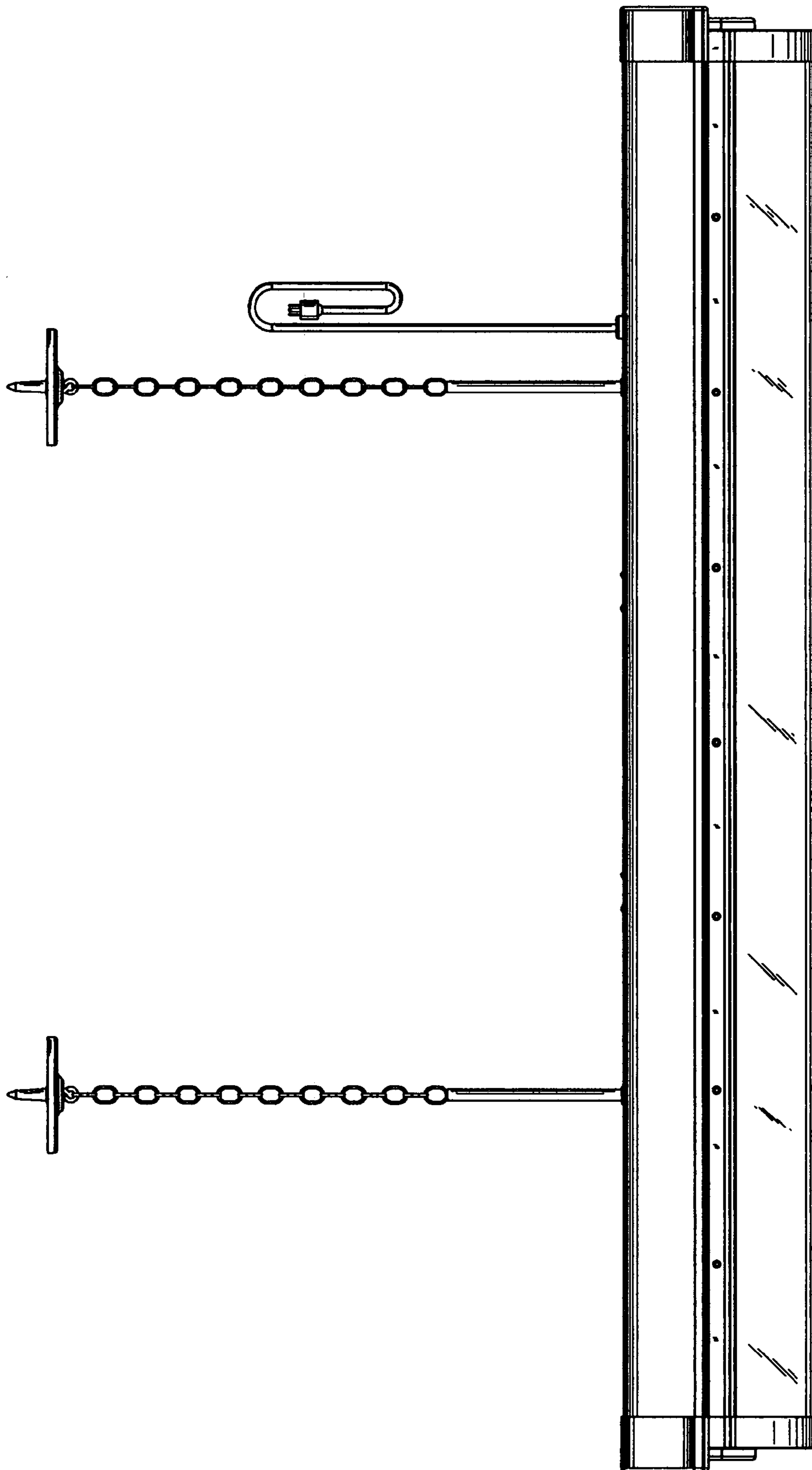


Fig. 1

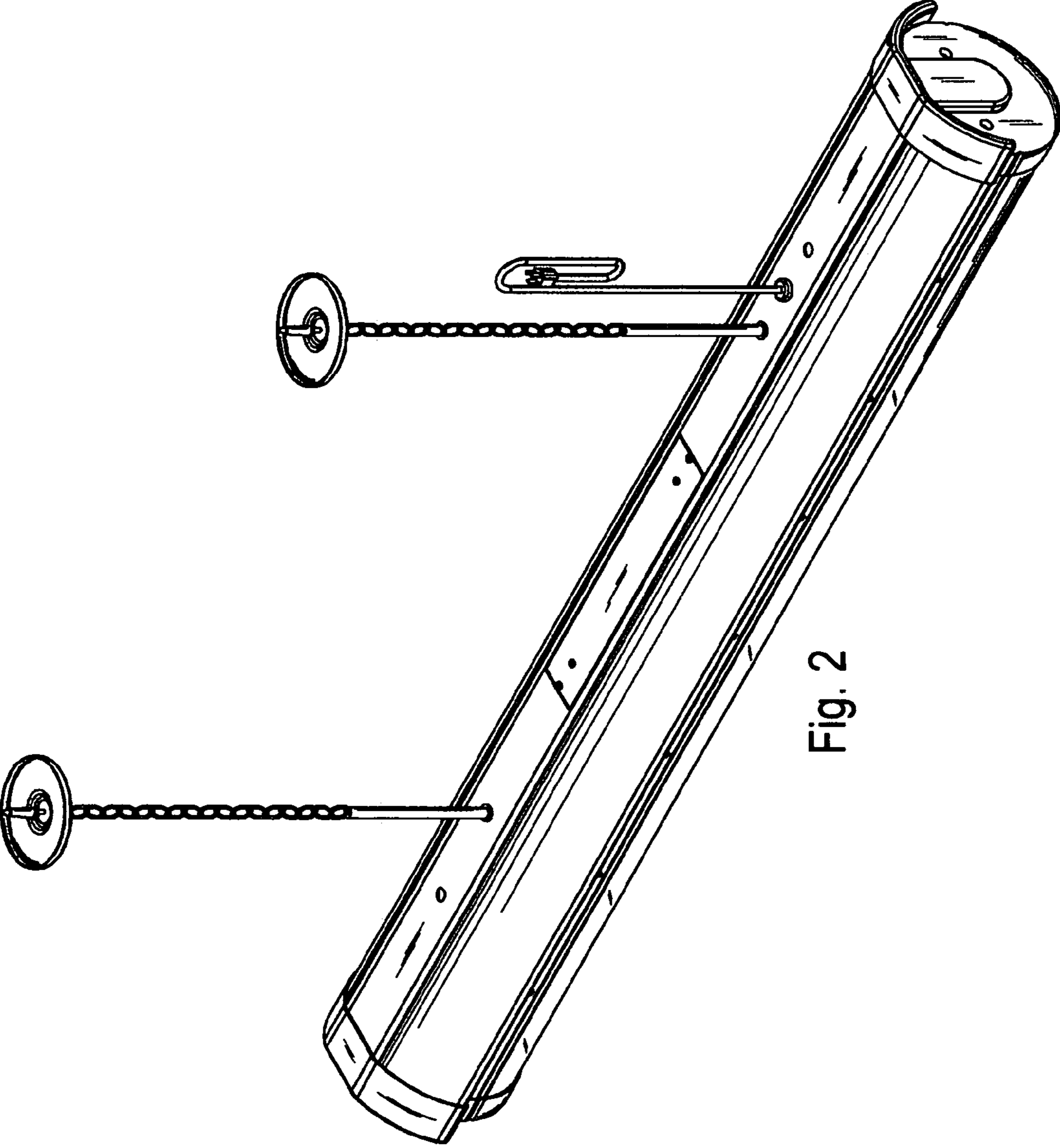


Fig. 2

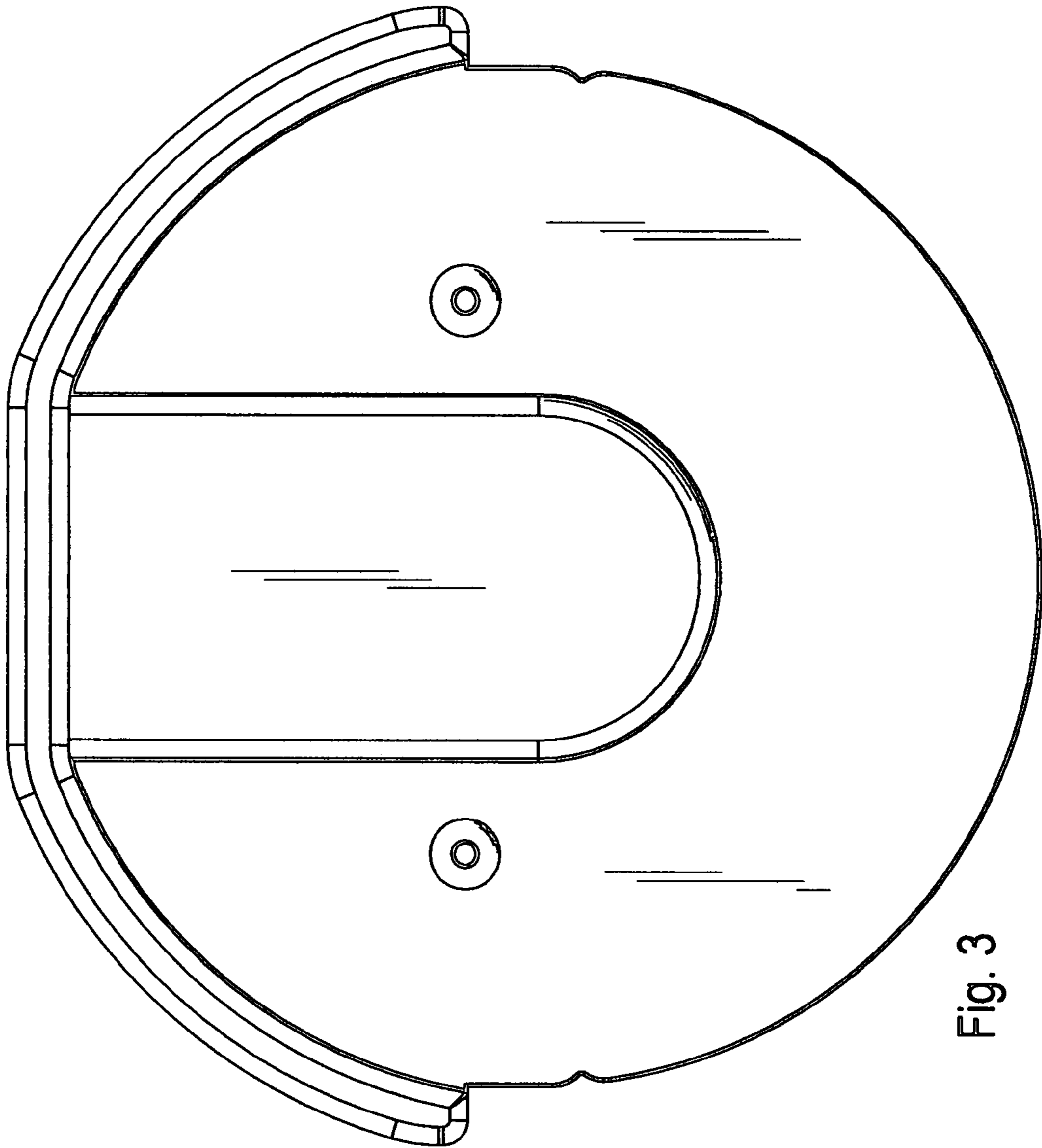


Fig. 3

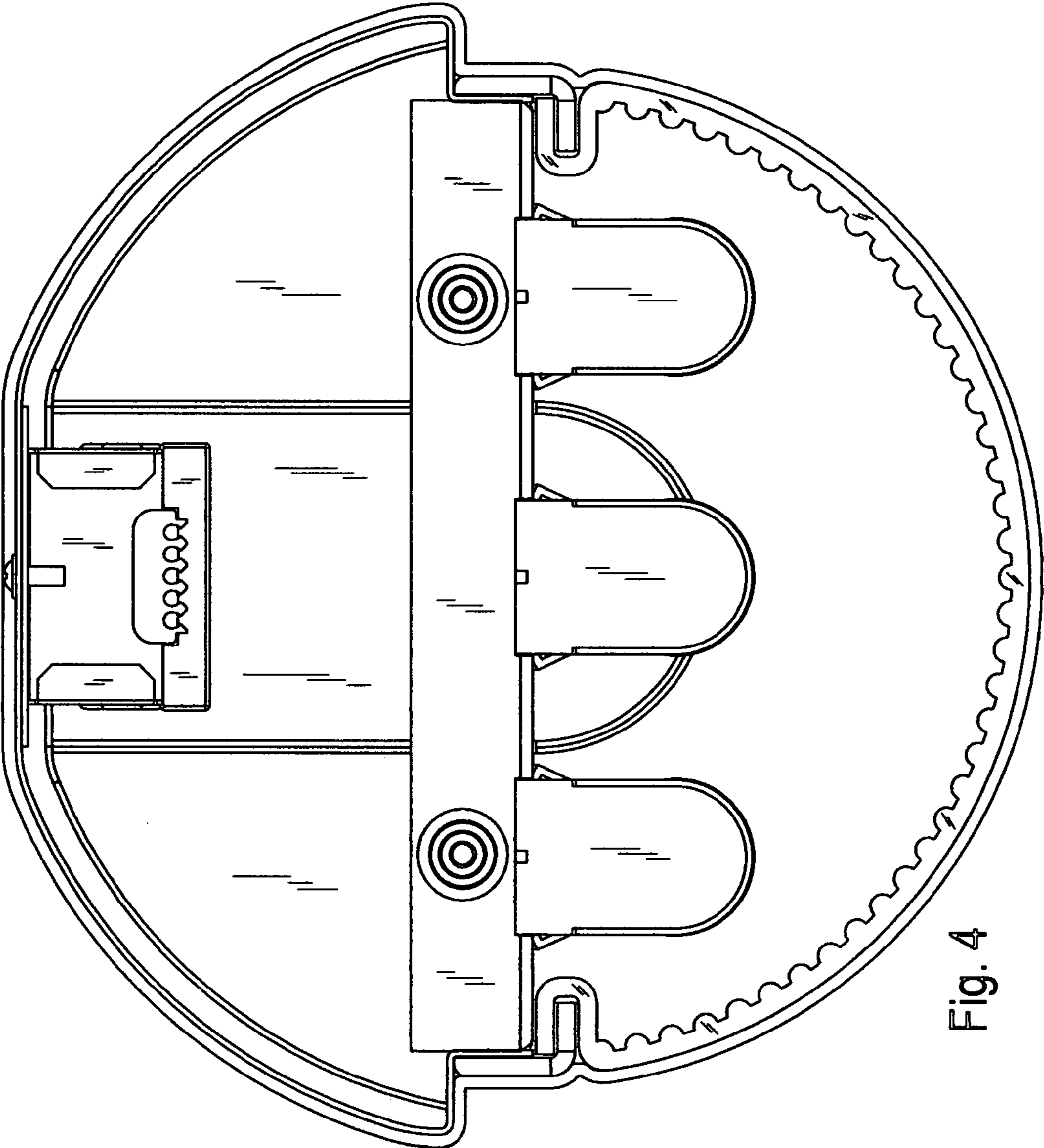


Fig. 4

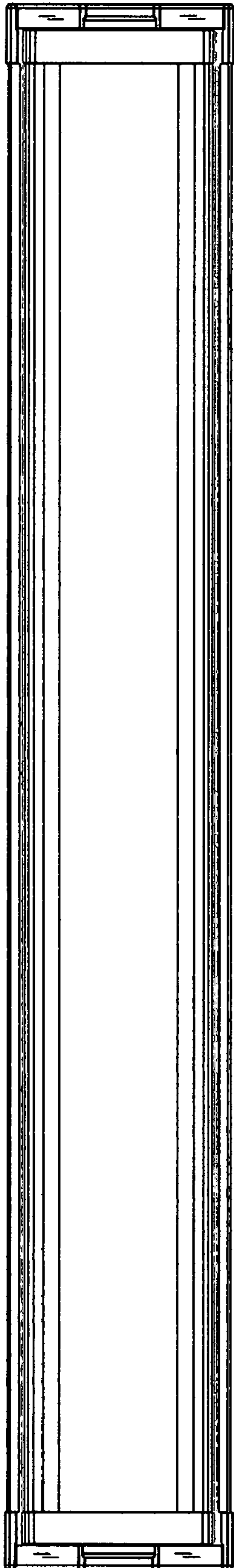


Fig. 5

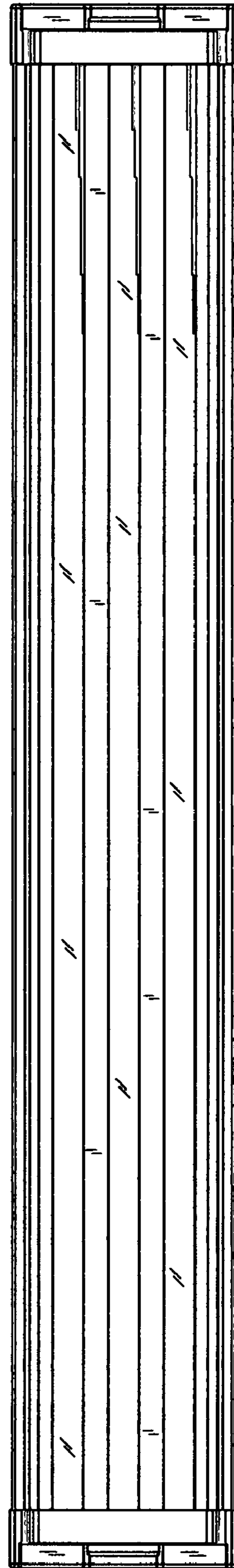


Fig. 6

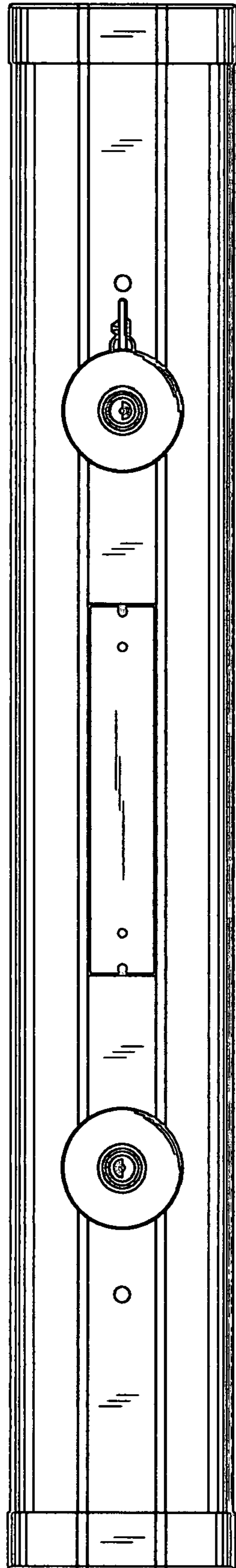


Fig. 7

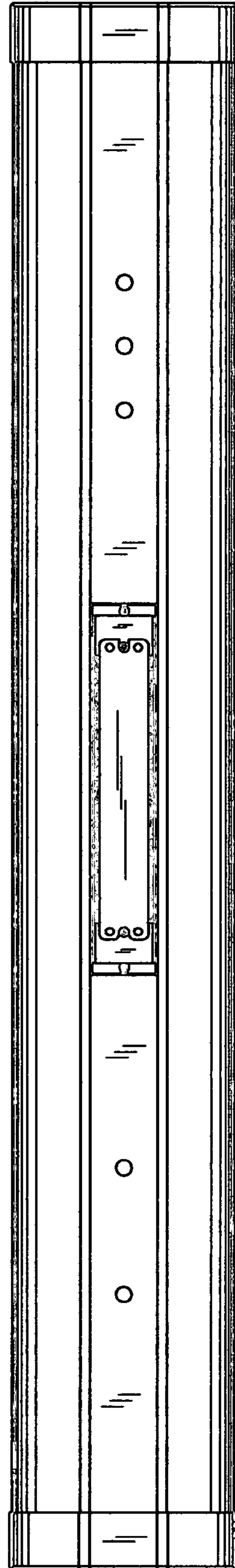


Fig. 8

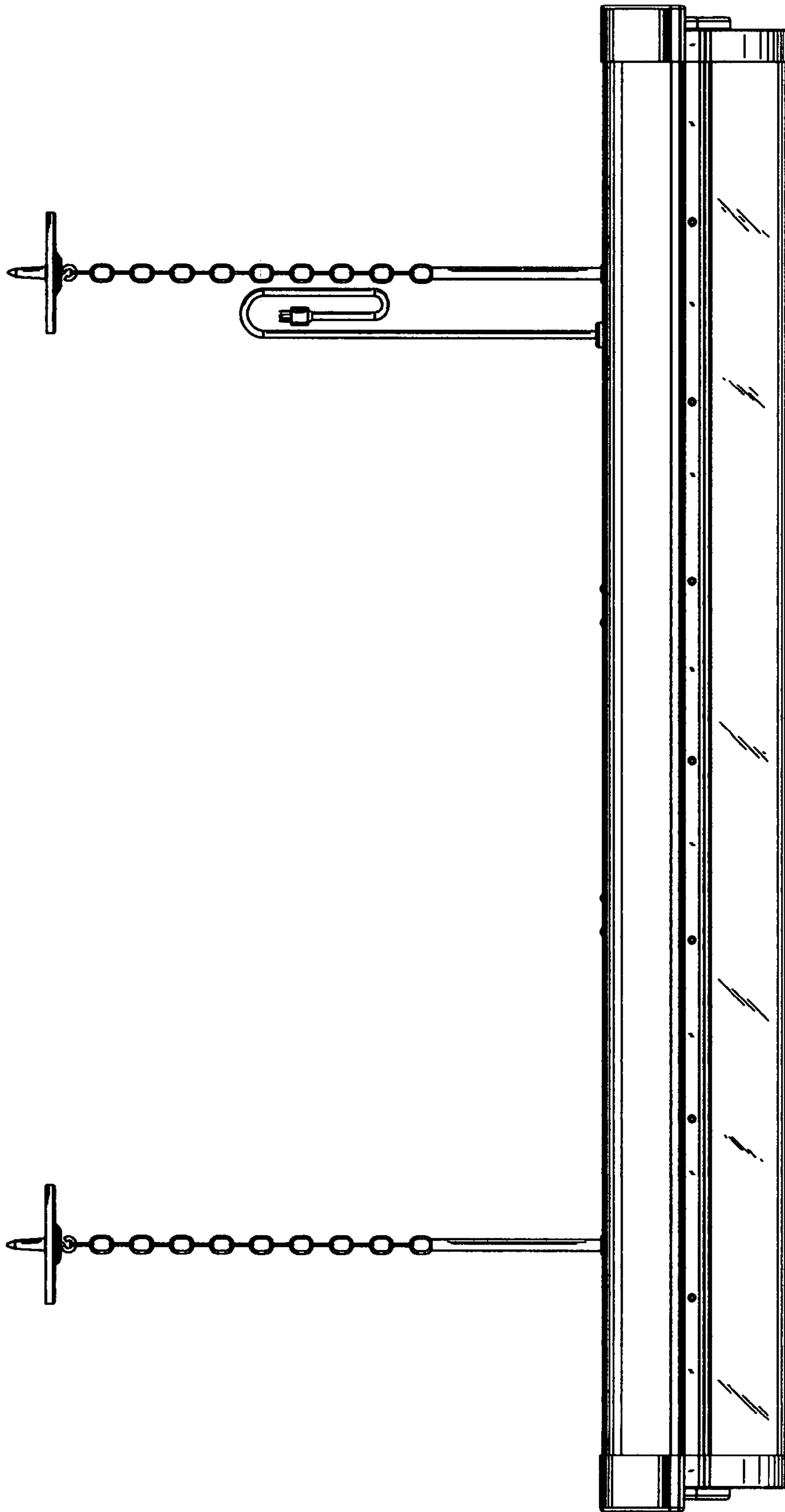


Fig. 9



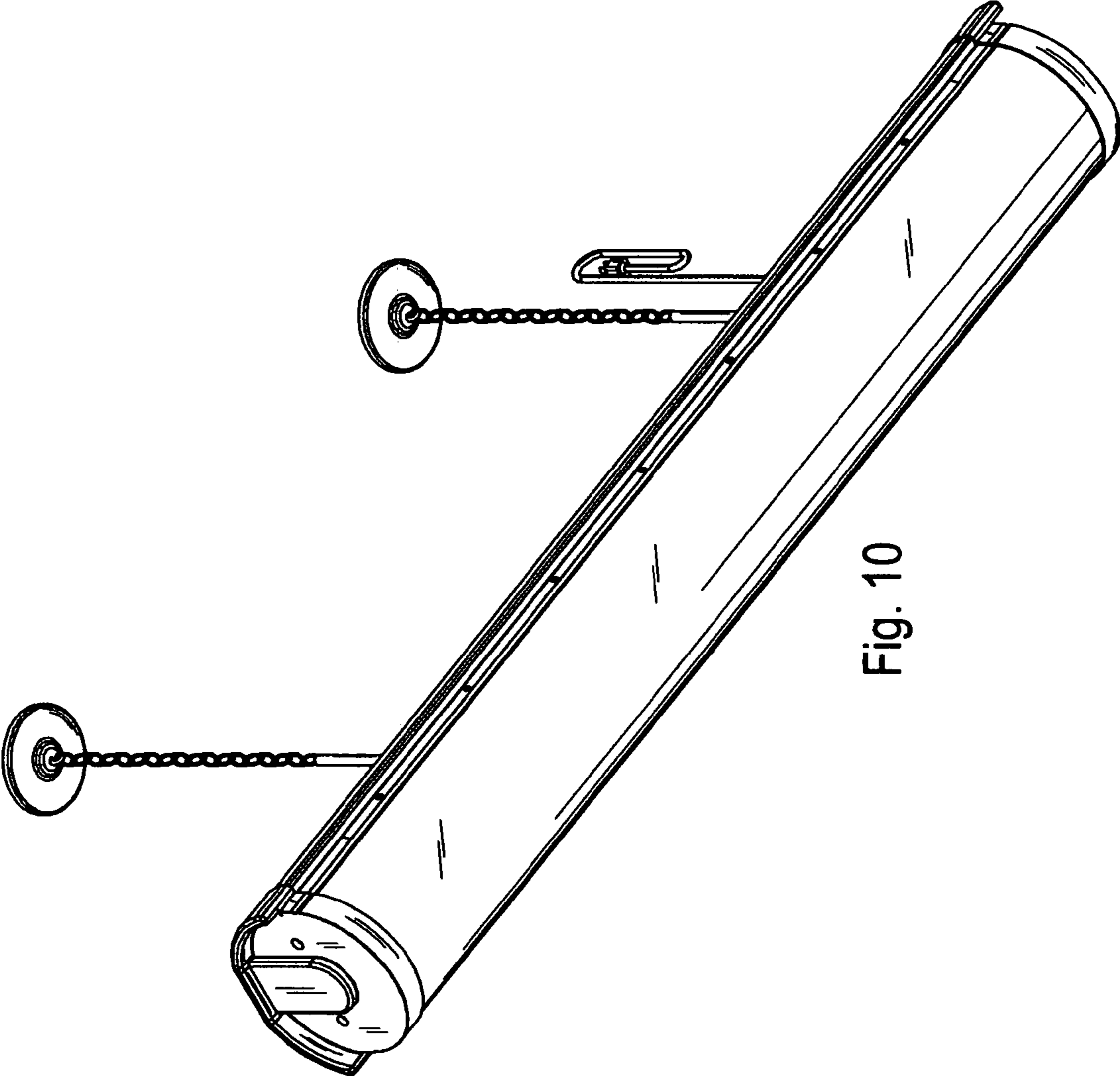


Fig. 10

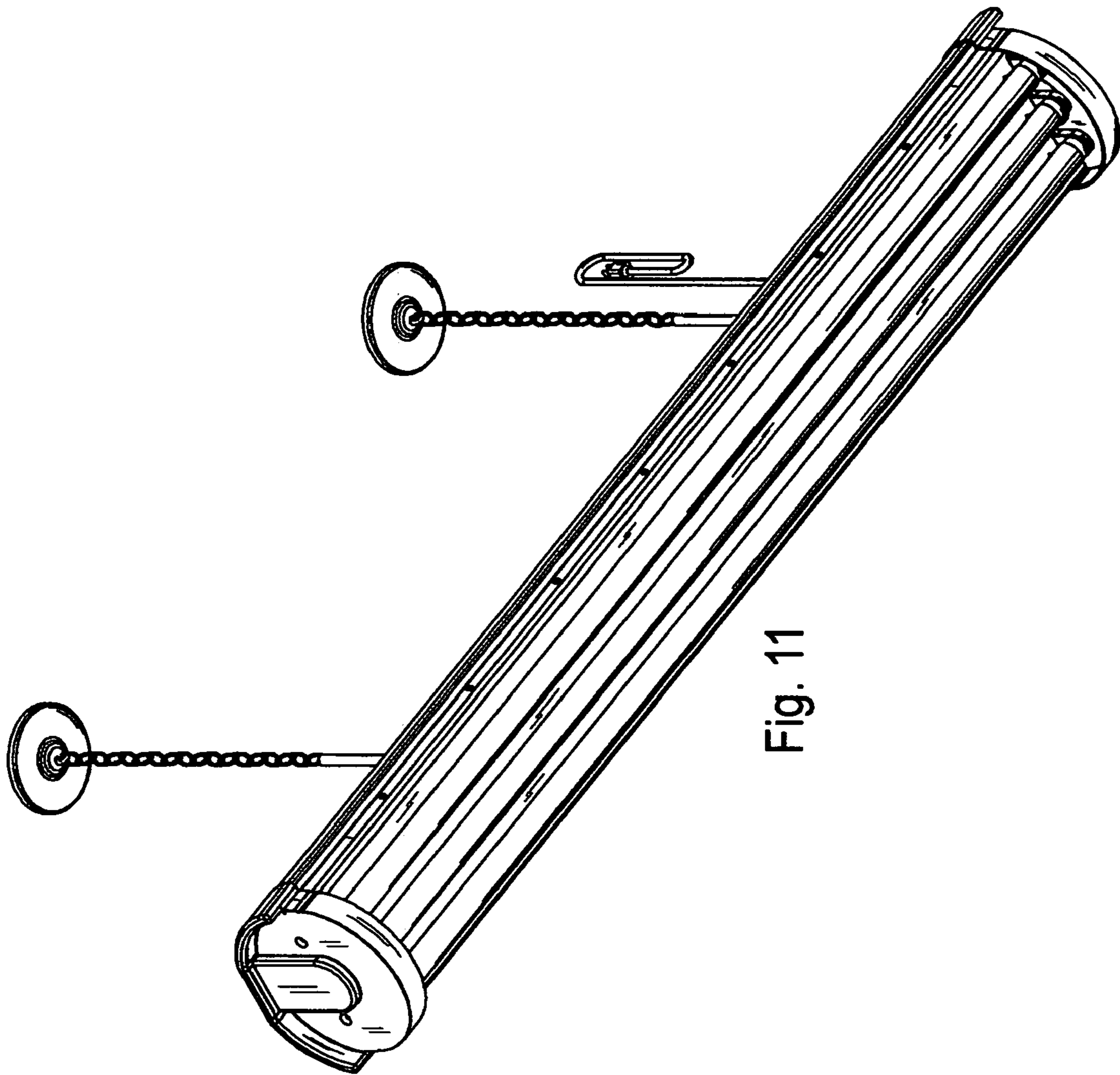
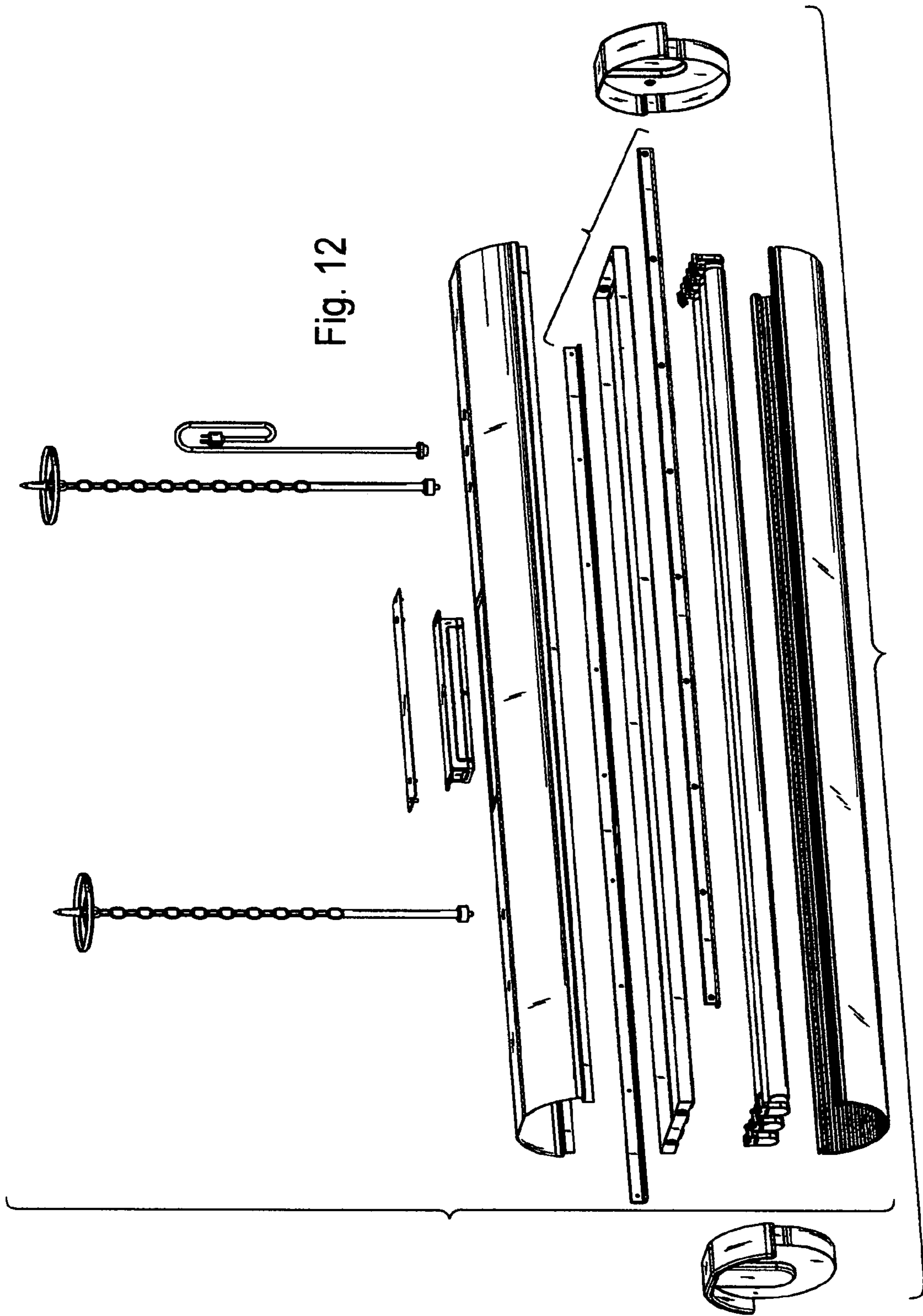


Fig. 11



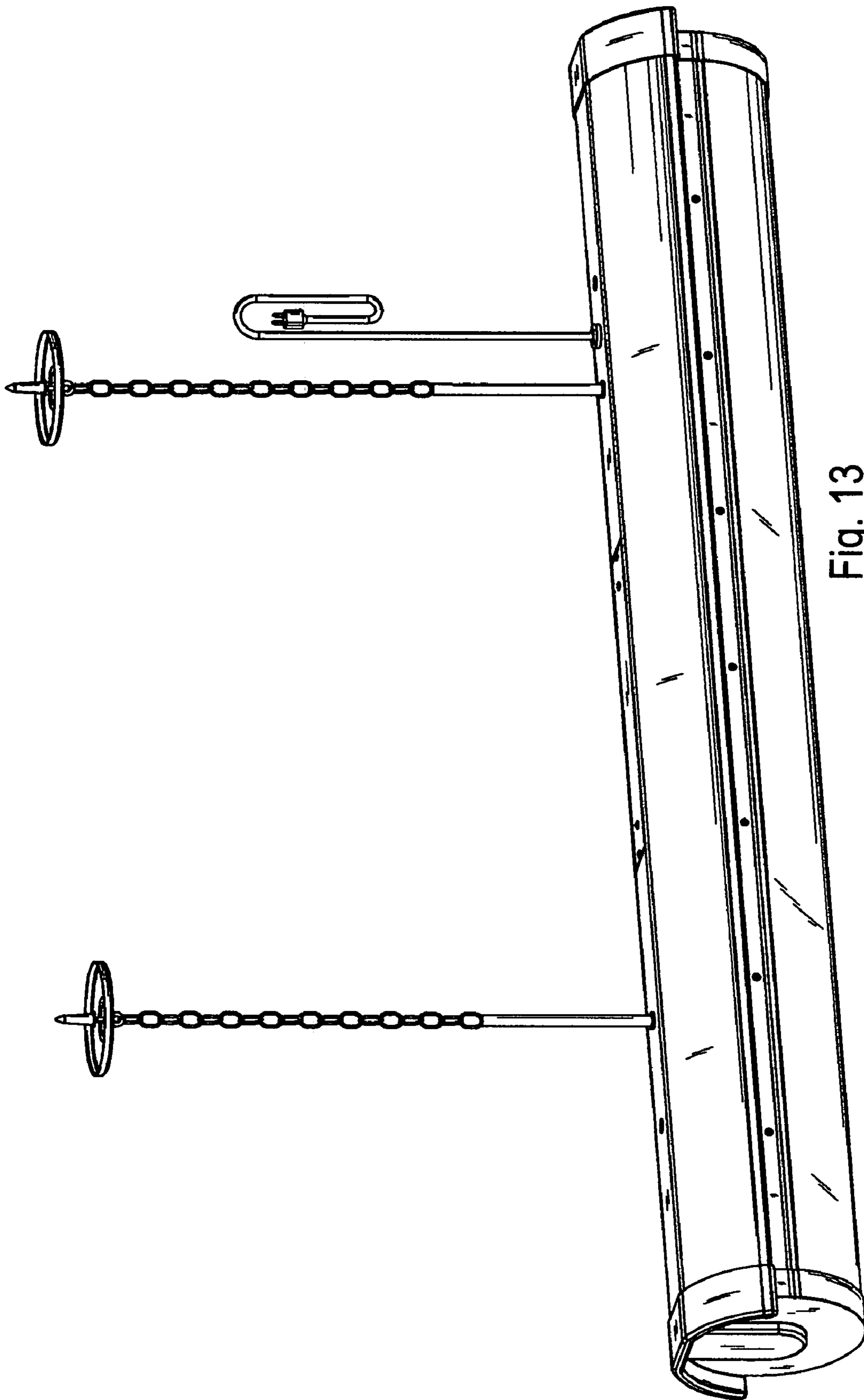


Fig. 13

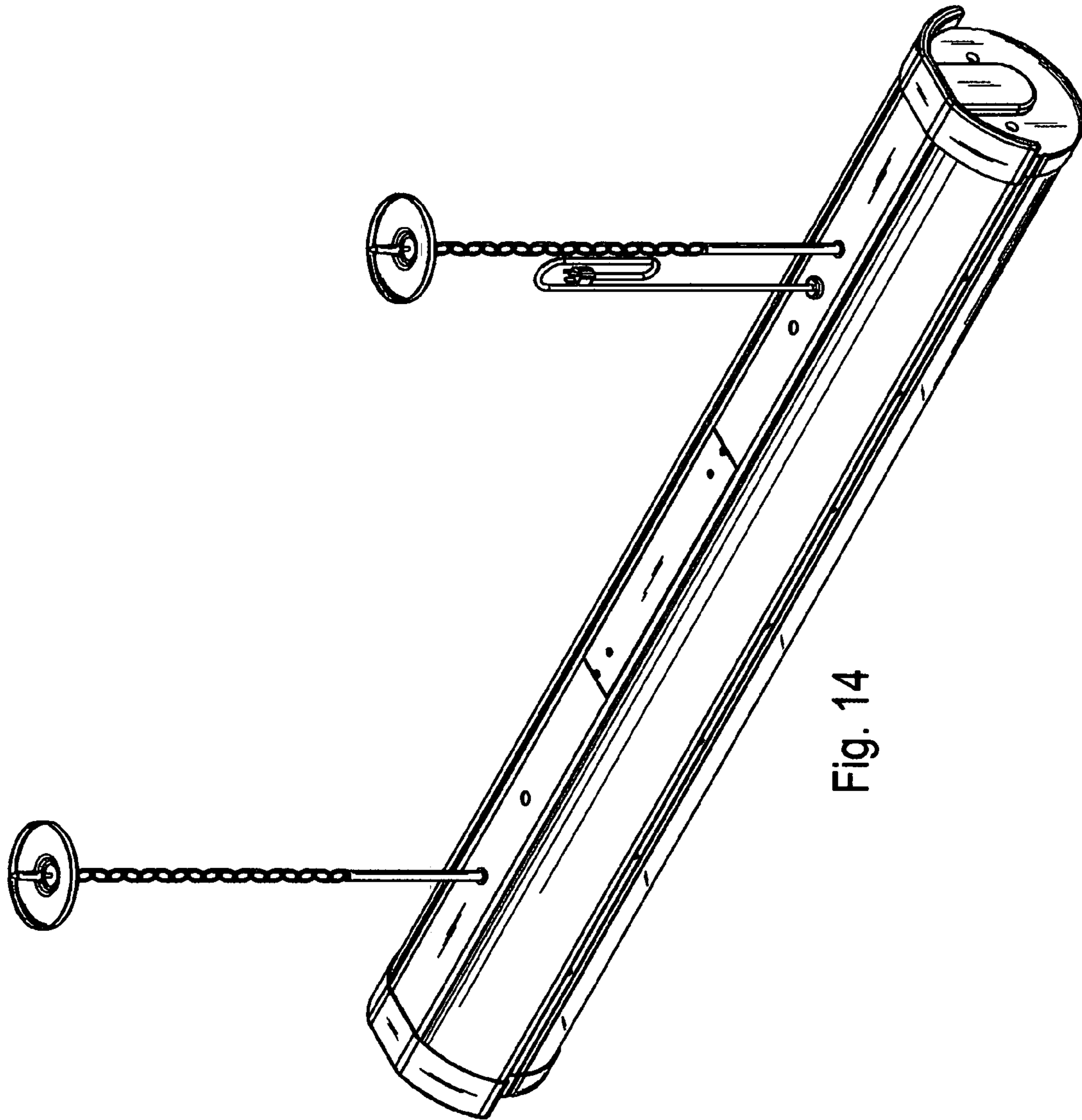


Fig. 14